



US00D559334S

(12) **United States Design Patent**  
**Liao**

(10) **Patent No.:** **US D559,334 S**

(45) **Date of Patent:** **\*\* Jan. 8, 2008**

(54) **GEAR CASE FOR TOY GUN**

(75) Inventor: **Yin-Hsi Liao**, Sijhih (TW)

(73) Assignee: **Guay Guay Trading Co., Ltd.**, Sijhih (TW)

(\*\*) Term: **14 Years**

(21) Appl. No.: **29/252,217**

(22) Filed: **Jan. 20, 2006**

(51) **LOC (8) Cl.** ..... **21-01**

(52) **U.S. Cl.** ..... **D21/573**

(58) **Field of Classification Search** ..... D21/567,  
D21/570-575; D22/100, 101, 103, 104,  
D22/108, 109; 124/41.1, 45, 49, 51.1, 55,  
124/56, 69, 70-74, 79

See application file for complete search history.

(56) **References Cited**

**U.S. PATENT DOCUMENTS**

D377,513 S \* 1/1997 Lenkarski et al. .... D22/104  
D479,570 S \* 9/2003 Scheunert ..... D22/104  
D482,081 S \* 11/2003 Chang ..... D21/573  
6,644,295 B2 \* 11/2003 Jones ..... 124/73

D503,208 S \* 3/2005 Krieger ..... D22/104  
D512,750 S \* 12/2005 Orr ..... D21/573  
D516,661 S \* 3/2006 McGarry ..... D22/104  
2003/0221684 A1 \* 12/2003 Rice ..... 124/71

\* cited by examiner

*Primary Examiner*—Holly H. Baynham

*Assistant Examiner*—Cynthia M. Chin

(74) *Attorney, Agent, or Firm*—Troxell Law Office, PLLC

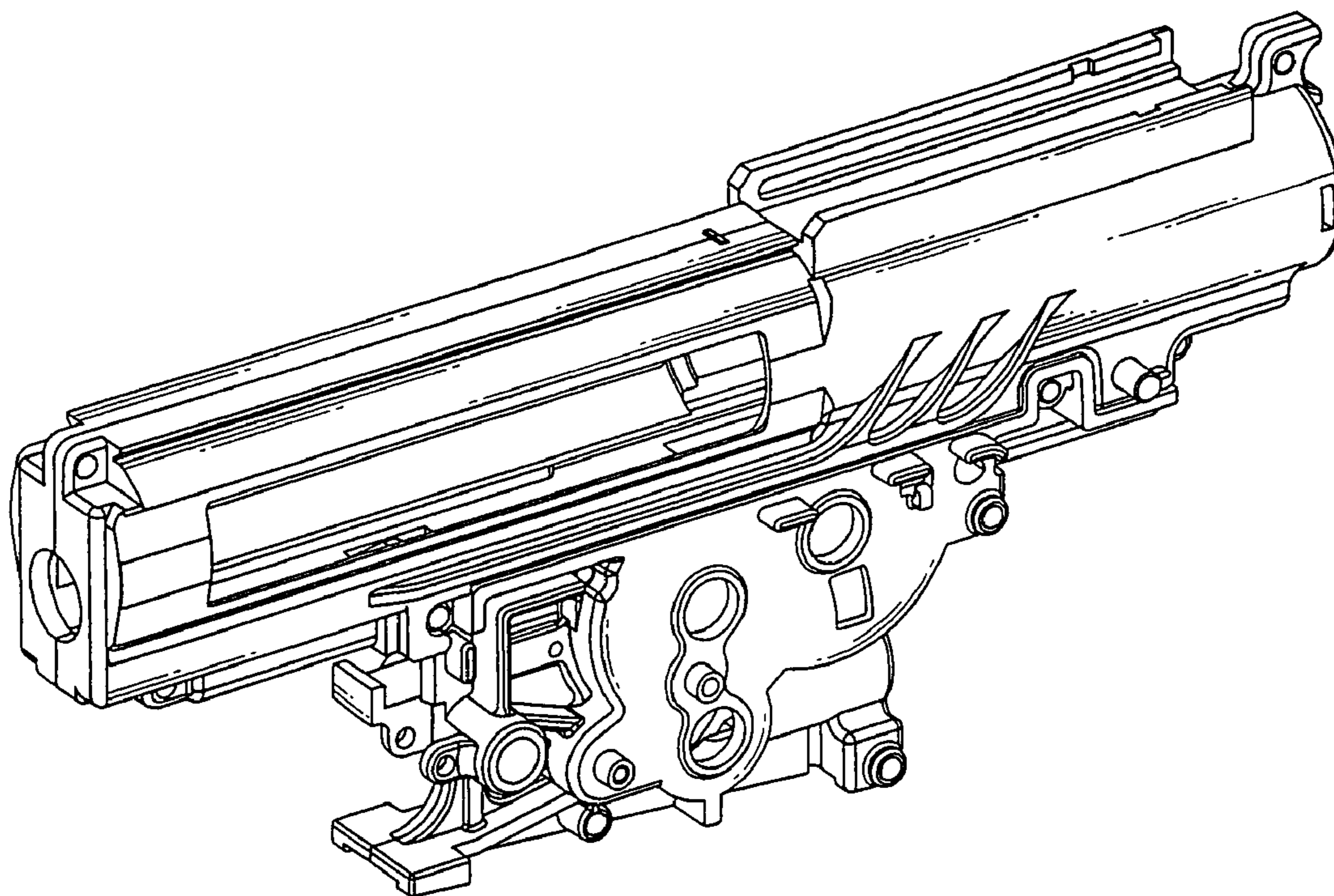
(57) **CLAIM**

The ornamental design for a gear case for toy gun, as shown and described.

**DESCRIPTION**

FIG. 1 is a perspective view of a gear case for toy gun;  
FIG. 2 is a front view thereof;  
FIG. 3 is a back view thereof;  
FIG. 4 is a left side view thereof;  
FIG. 5 is a right side view thereof;  
FIG. 6 is a top view thereof; and,  
FIG. 7 is a bottom view thereof.

**1 Claim, 7 Drawing Sheets**



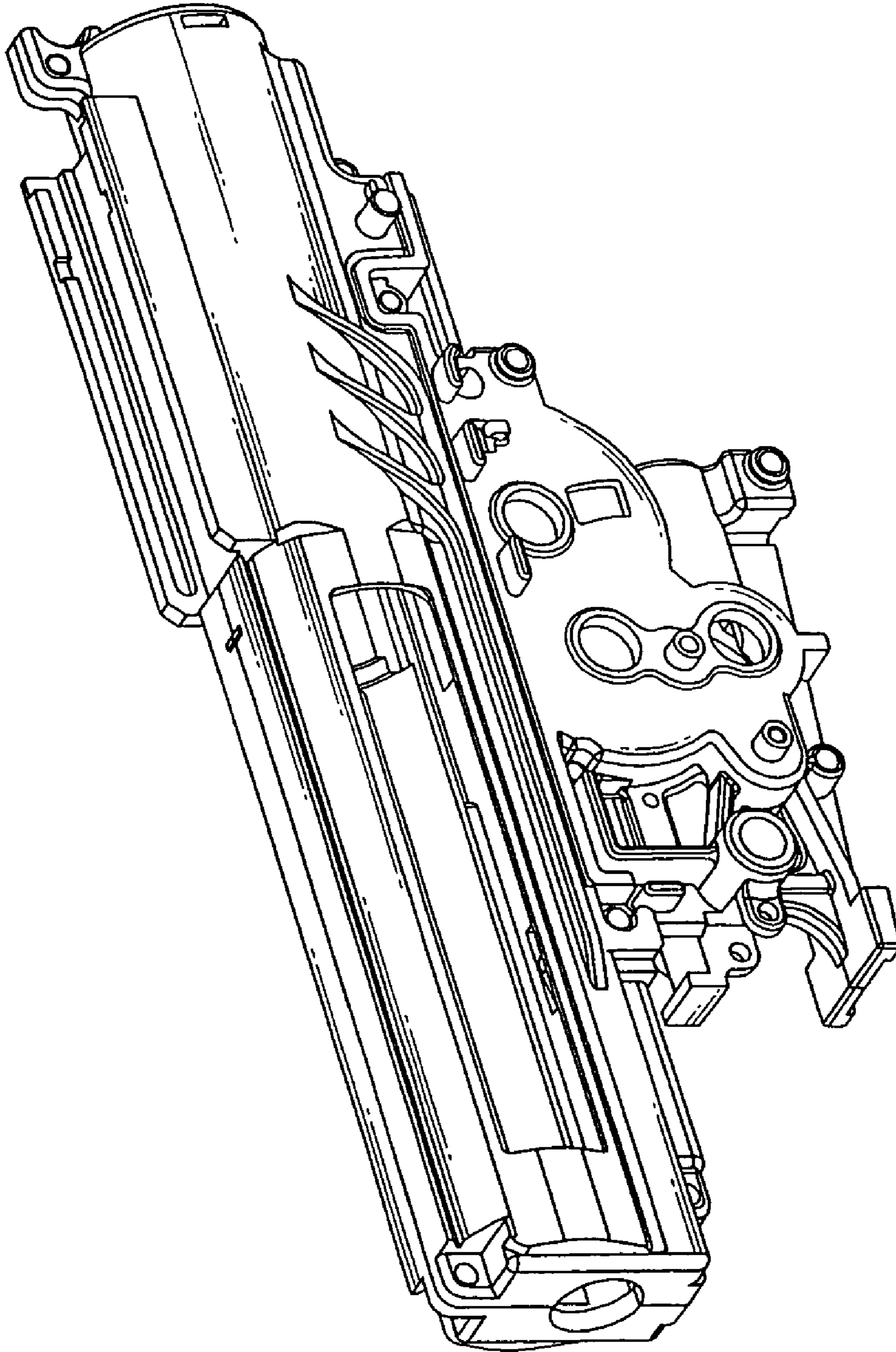


FIG. 1

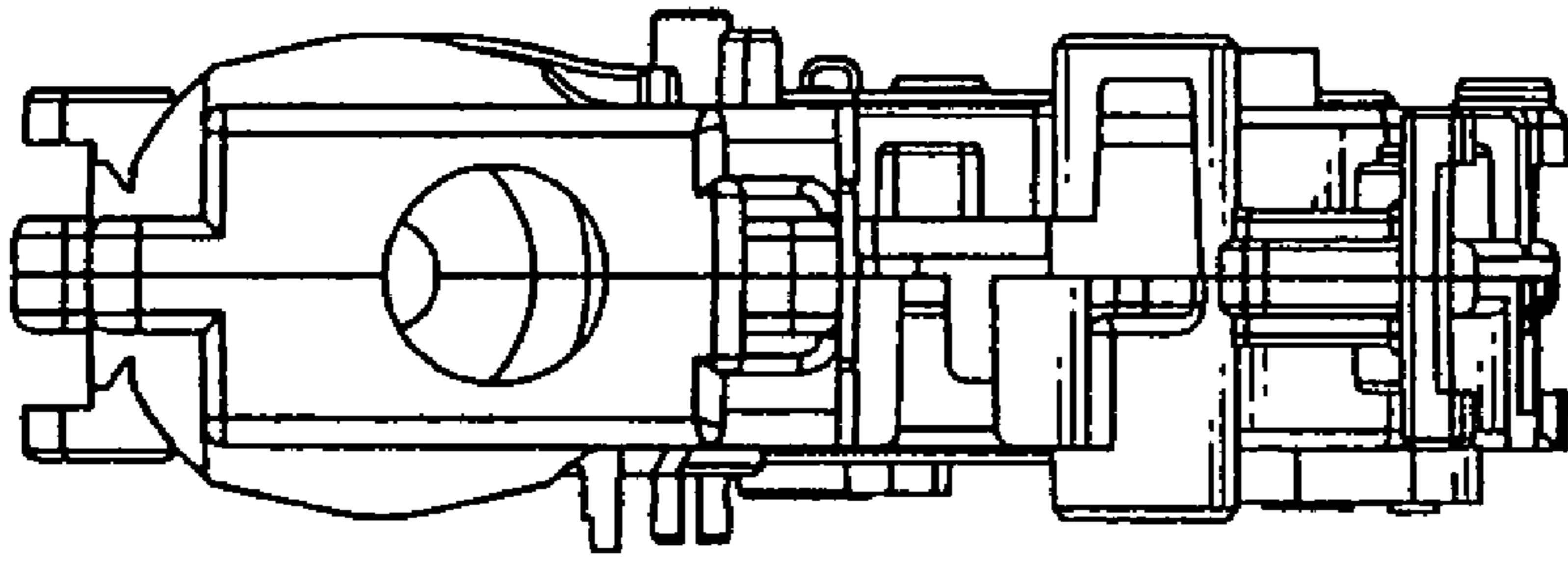


FIG. 2

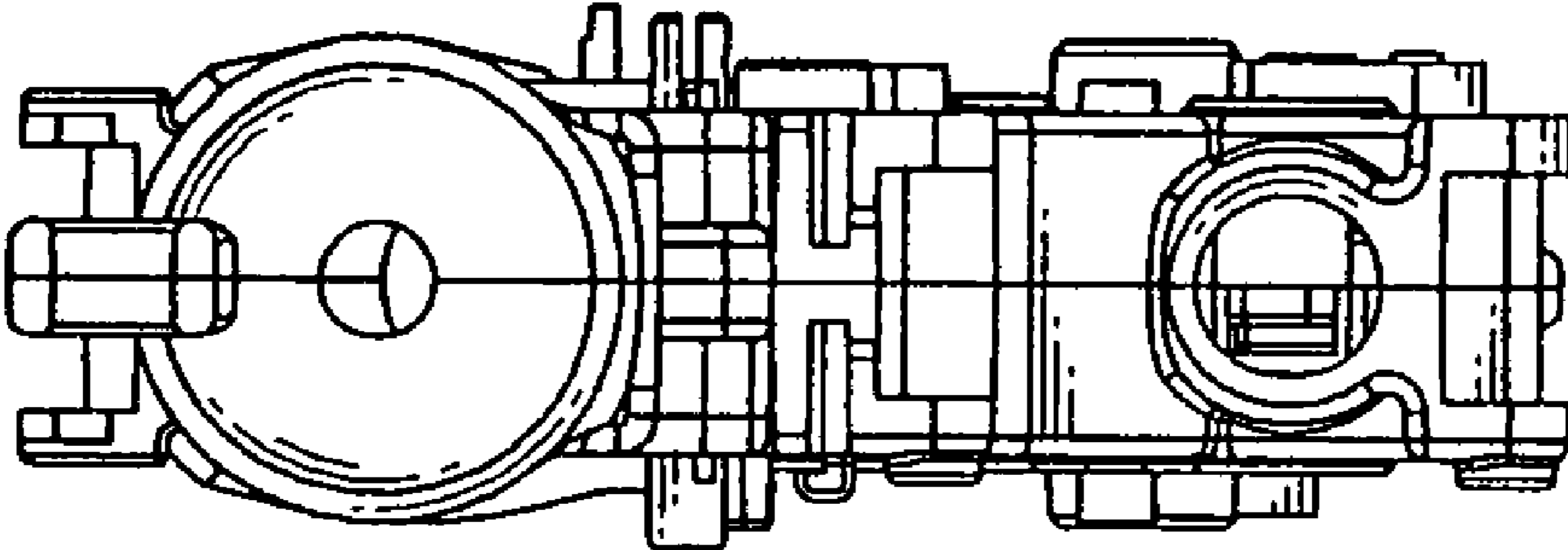


FIG. 3

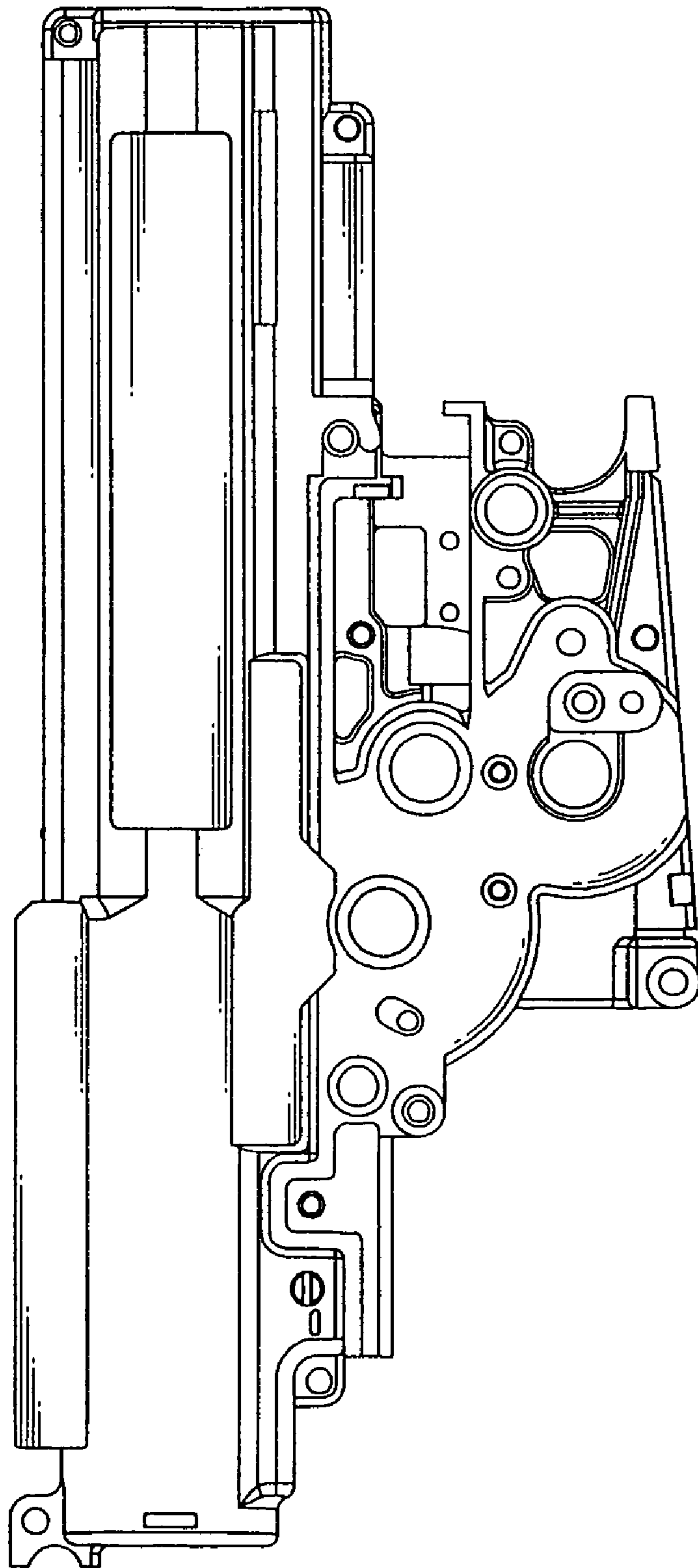


FIG. 4

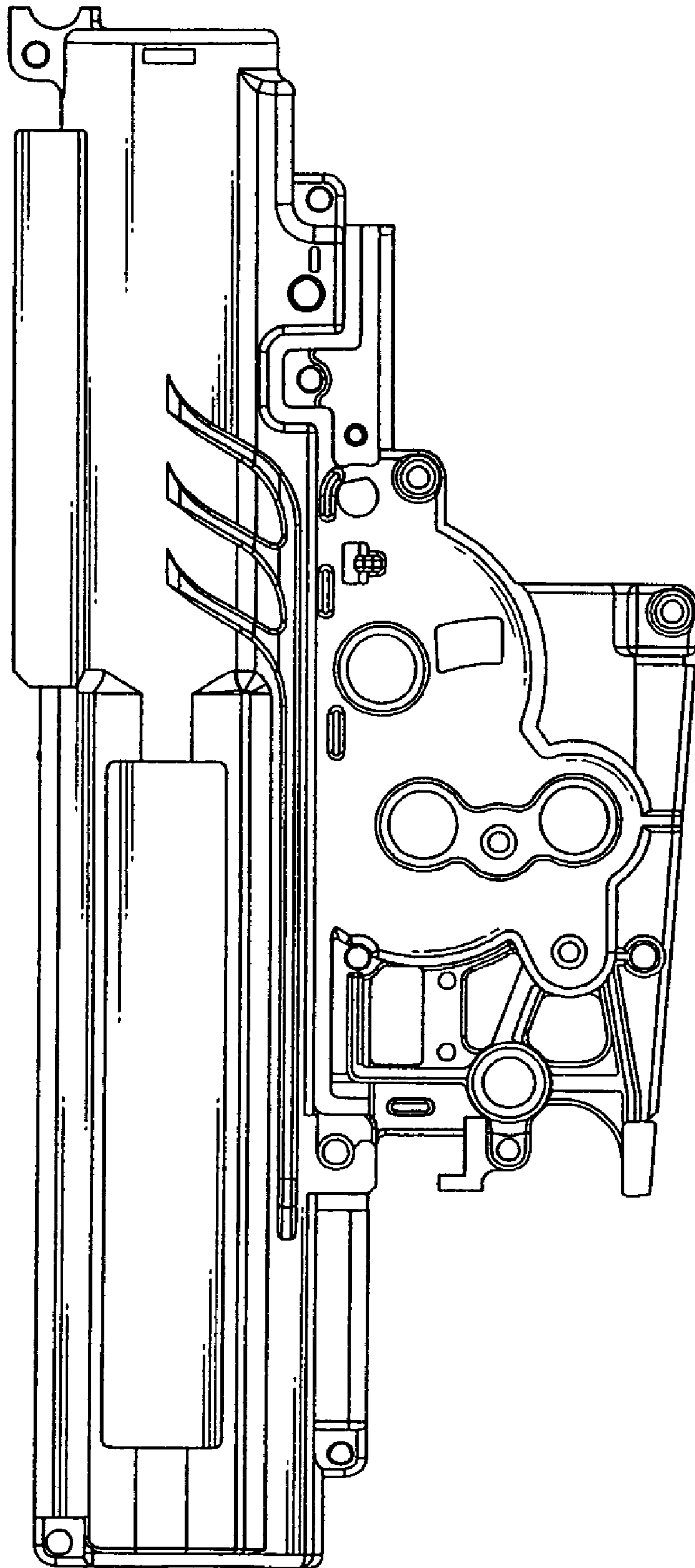


FIG. 5

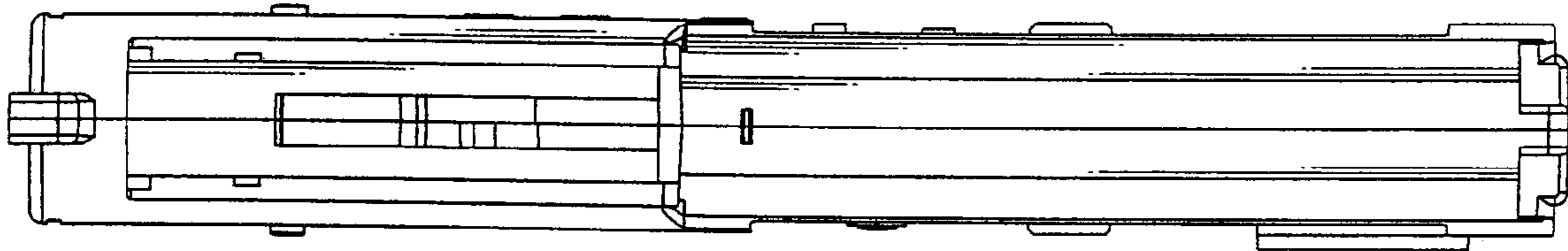


FIG. 6

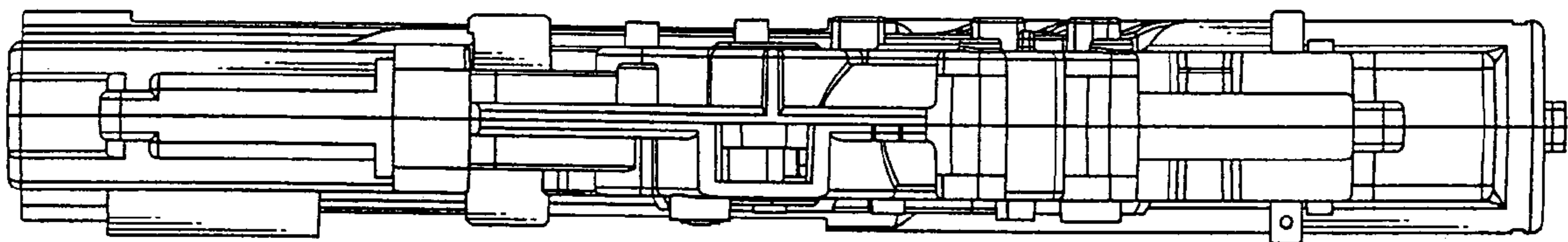


FIG. 7