



US00D559330S

(12) **United States Design Patent**
Oren et al.

(10) **Patent No.:** **US D559,330 S**
(45) **Date of Patent:** **** Jan. 8, 2008**

- (54) **TOY**
- (75) Inventors: **Shoshana Oren**, Tel Aviv (IL); **Asaf Eshet**, Tel Aviv (IL); **Yoav Ziv**, Tel Aviv (IL)
- (73) Assignee: **Tiny Love Ltd.**, Tel Aviv (IL)
- (**) Term: **14 Years**
- (21) Appl. No.: **29/253,045**
- (22) Filed: **Feb. 1, 2006**
- (30) **Foreign Application Priority Data**
Aug. 1, 2005 (EP) 000379169

D398,662 S	9/1998	Lane	
D429,289 S	8/2000	Reithmeier	
6,116,983 A *	9/2000	Long et al.	446/227
6,183,335 B1	2/2001	Petersen	
6,478,435 B2	11/2002	Monahan et al.	
6,699,092 B1	3/2004	Cimerman et al.	
7,222,977 B1 *	5/2007	Darling	359/839
2005/0026536 A1	2/2005	Armbruster et al.	
2006/0264148 A1 *	11/2006	Sejnowski et al.	446/227

* cited by examiner

Primary Examiner—Catherine Tuttle

(74) *Attorney, Agent, or Firm*—Browdy and Neimark, PLLC

- (51) **LOC (8) Cl.** **21-01**
- (52) **U.S. Cl.** **D21/467**
- (58) **Field of Classification Search** D21/324,
D21/333, 398, 405, 455, 465–468, 473–477;
D11/141; D19/59–62; 446/3, 26–28, 71,
446/75, 81, 227–229, 175, 236, 242, 298,
446/330, 352, 357–359, 366, 484, 397, 404,
446/486–489; 40/411, 414, 415, 421, 422,
40/455

See application file for complete search history.

(56) **References Cited**

U.S. PATENT DOCUMENTS

1,949,594 A *	3/1934	Wightman	482/87
2,522,205 A	9/1950	Anderson	
2,785,503 A *	3/1957	Schaefer	446/227
D182,154 S *	2/1958	Allen et al.	D21/476
2,994,153 A	8/1961	Zwolinski	
3,638,602 A *	2/1972	Carreno	446/227
4,362,299 A	12/1982	Suzuki	
4,594,072 A	6/1986	Cowell	
D284,679 S	7/1986	Livesey et al.	
D298,956 S	12/1988	Zinter-Chahin	
D300,437 S *	3/1989	Capper et al.	D21/467
5,195,918 A	3/1993	Mozes	
D336,660 S	6/1993	Dial	
5,256,457 A	10/1993	Pantaleo et al.	
D341,166 S	11/1993	Koike	
5,573,440 A	11/1996	Schneider et al.	
D381,683 S	7/1997	Theis	
D393,018 S	3/1998	Oren et al.	

(57) **CLAIM**

The ornamental design for the toy, as shown and described.

DESCRIPTION

FIG. 1 is a perspective view showing the first component of our new design for a toy, the design consisting of the pair of components disclosed herein;

FIG. 2 is a top view of FIG. 1;

FIG. 3 is a bottom view of FIG. 1;

FIG. 4 is a front view of FIG. 1;

FIG. 5 is a back view of FIG. 1;

FIG. 6 is a left side view of FIG. 1;

FIG. 7 is a right side view of FIG. 1;

FIG. 8 is a perspective view of the remote control component of our design;

FIG. 9 is a top view of FIG. 8;

FIG. 10 is a bottom view of FIG. 8;

FIG. 11 is a front view of FIG. 8;

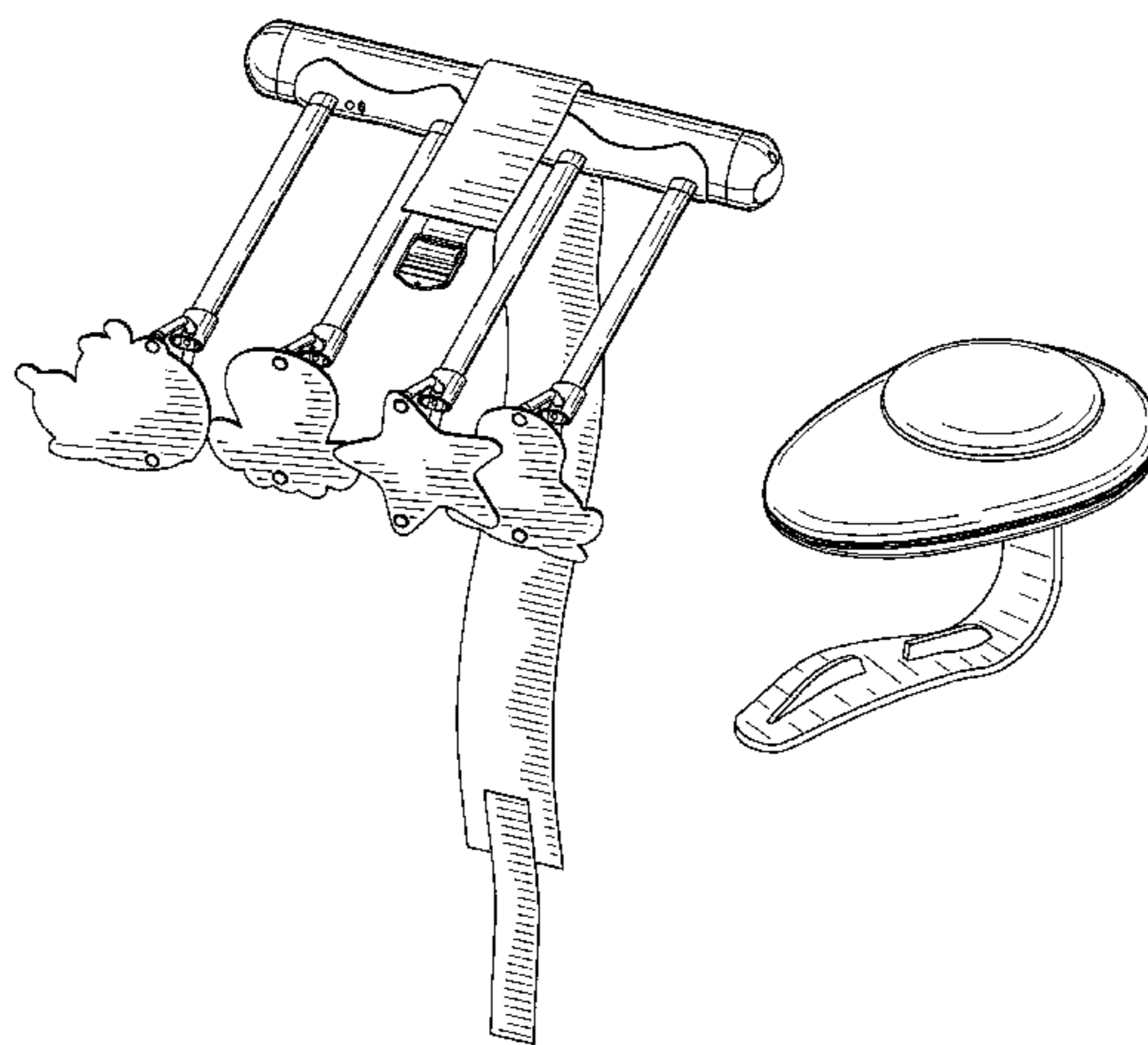
FIG. 12 is a back view of FIG. 8;

FIG. 13 is a left side view of FIG. 1; and,

FIG. 14 is a right side view of FIG. 8.

The strap element of the first toy component is omitted or shown partially broken away in FIGS. 2–7 for ease of illustration.

1 Claim, 9 Drawing Sheets



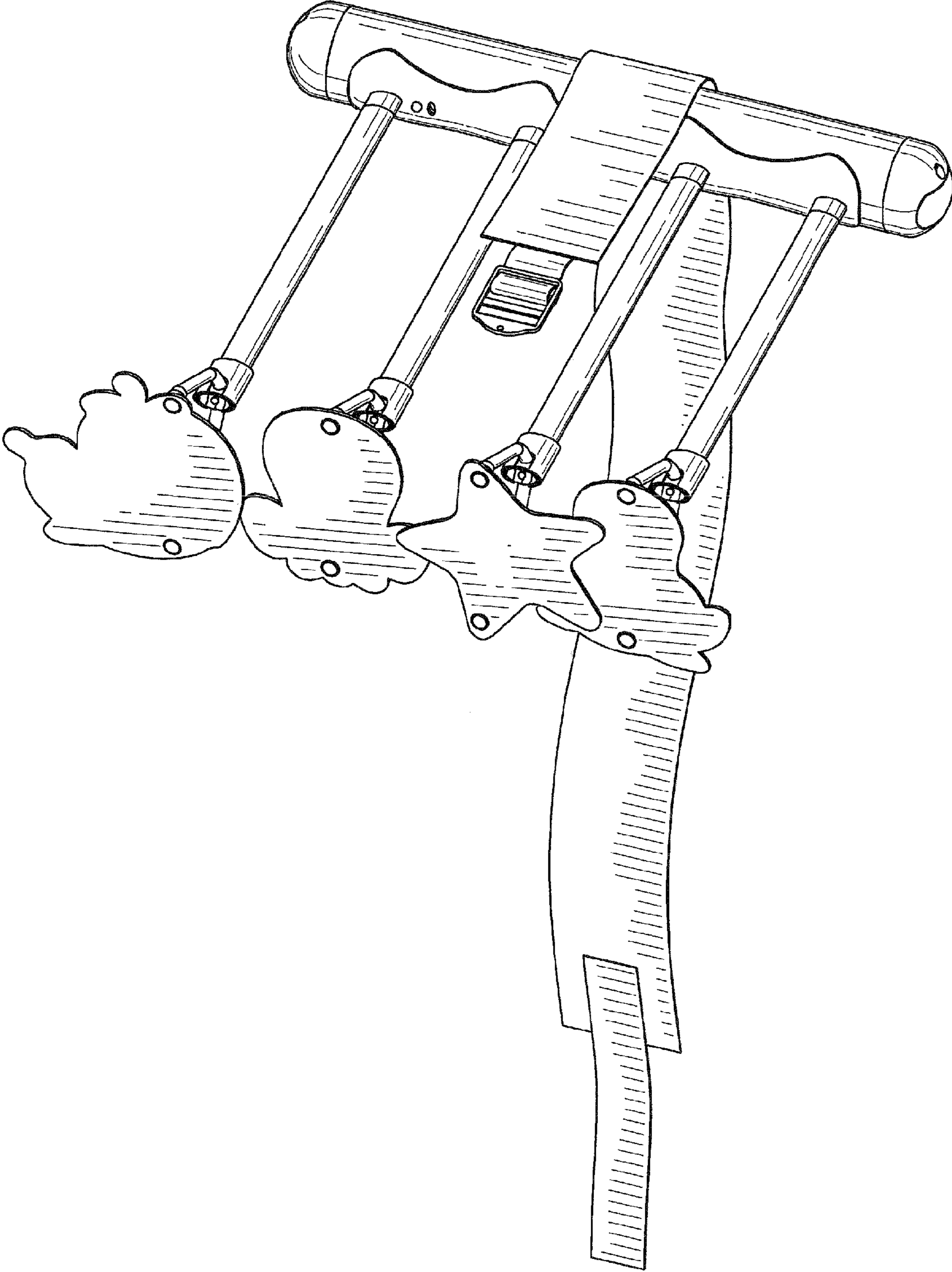


FIG. 1

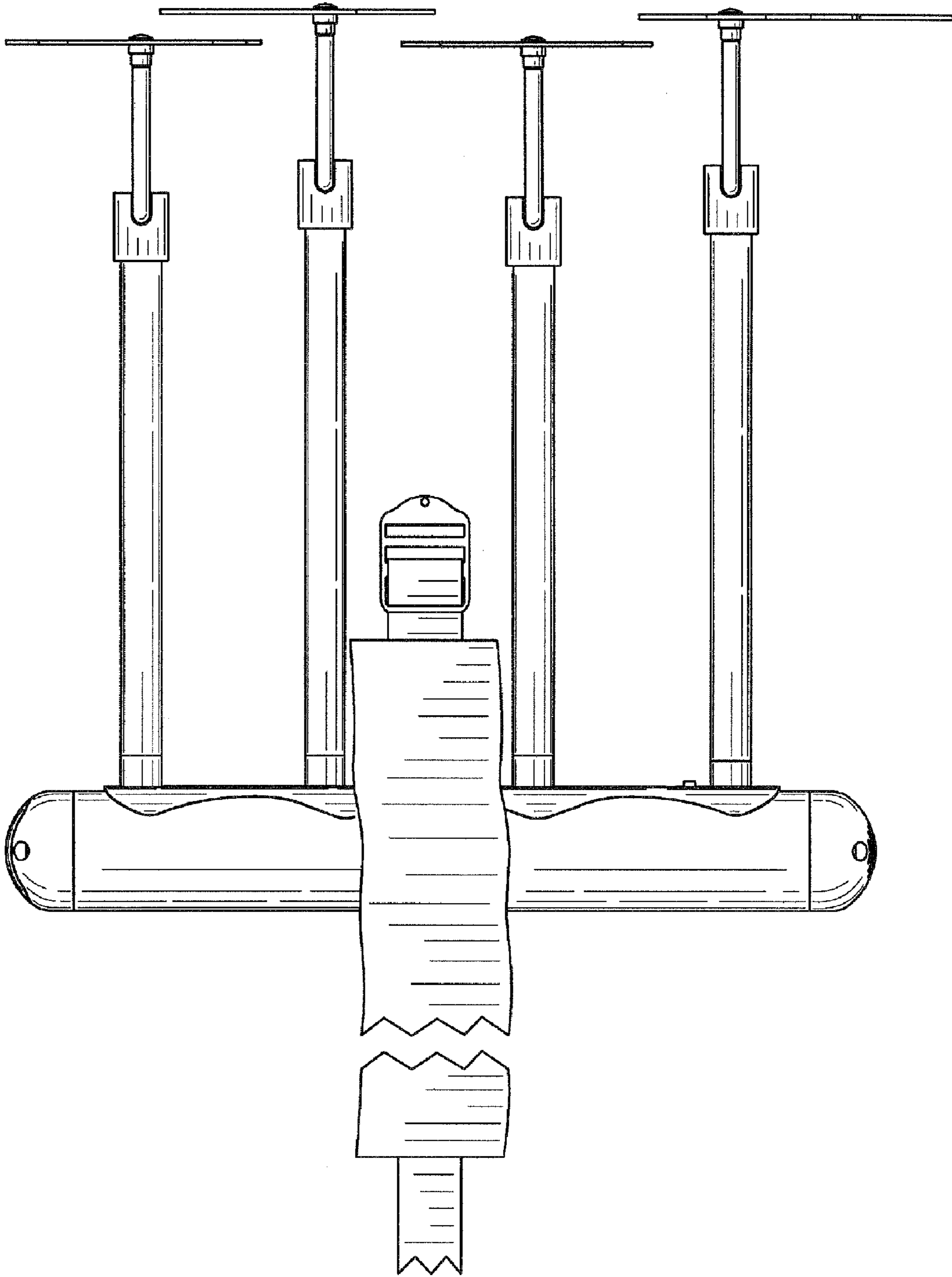


FIG. 2

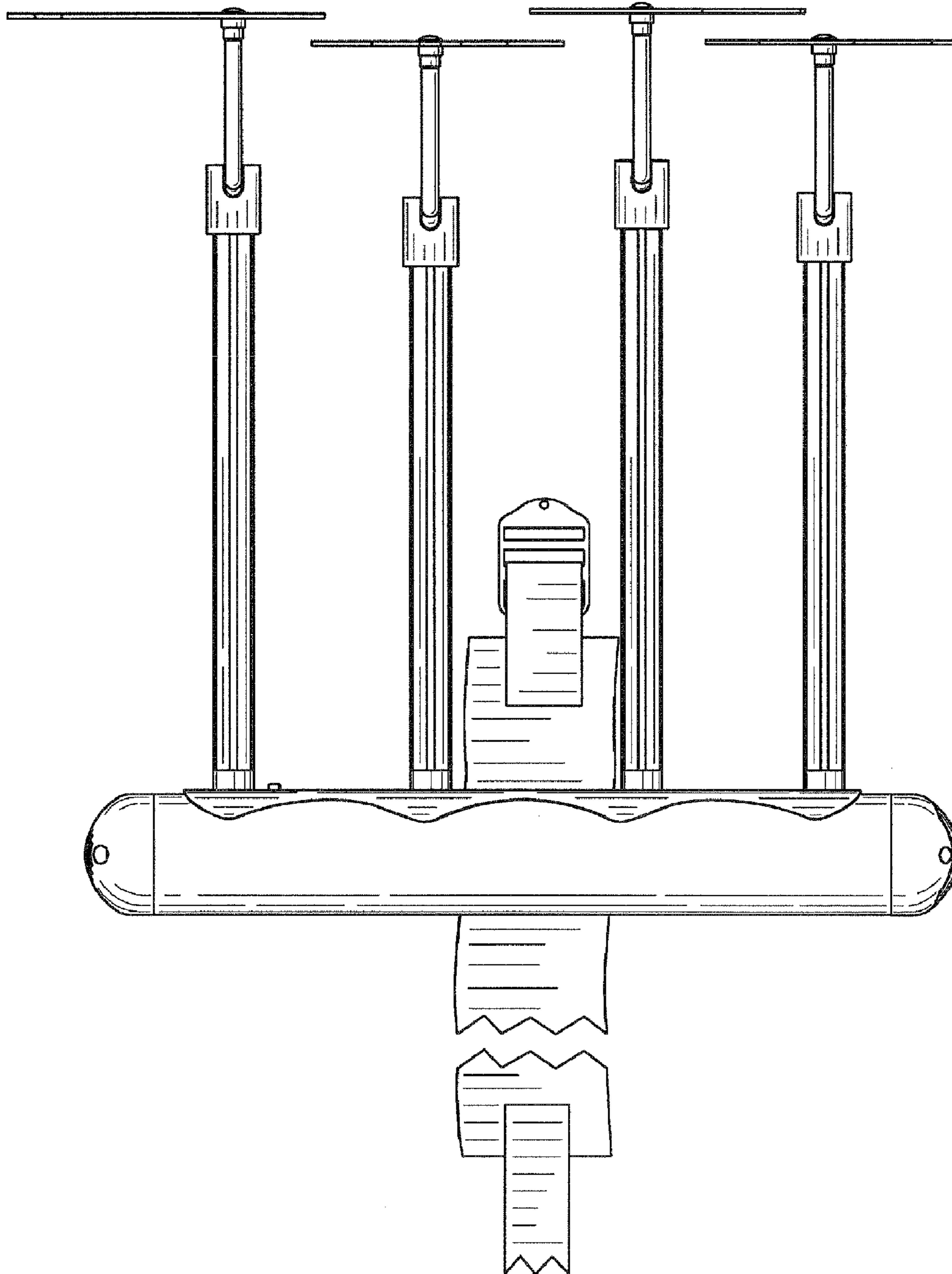


FIG. 3

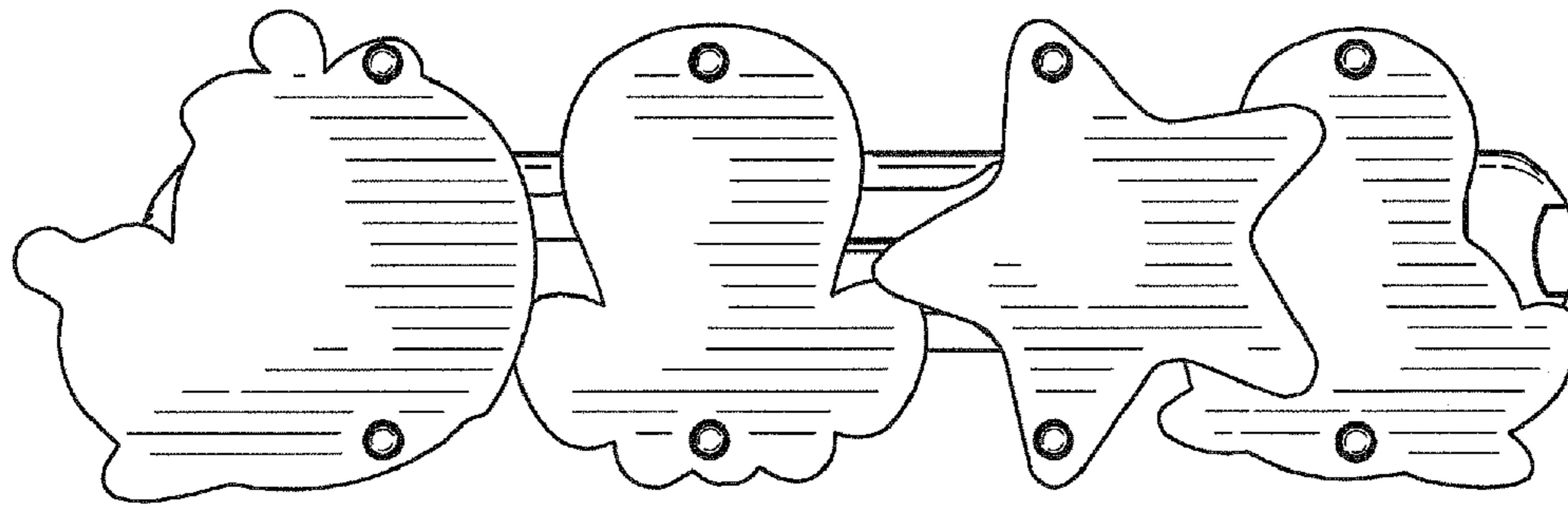


FIG. 4

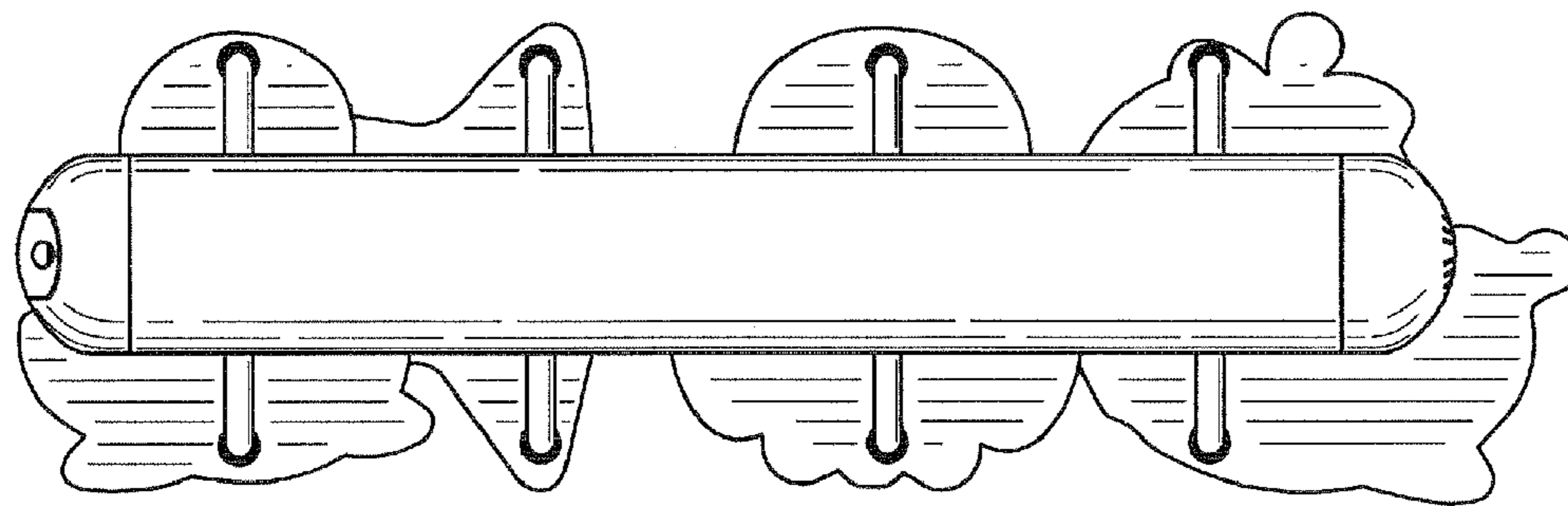


FIG. 5

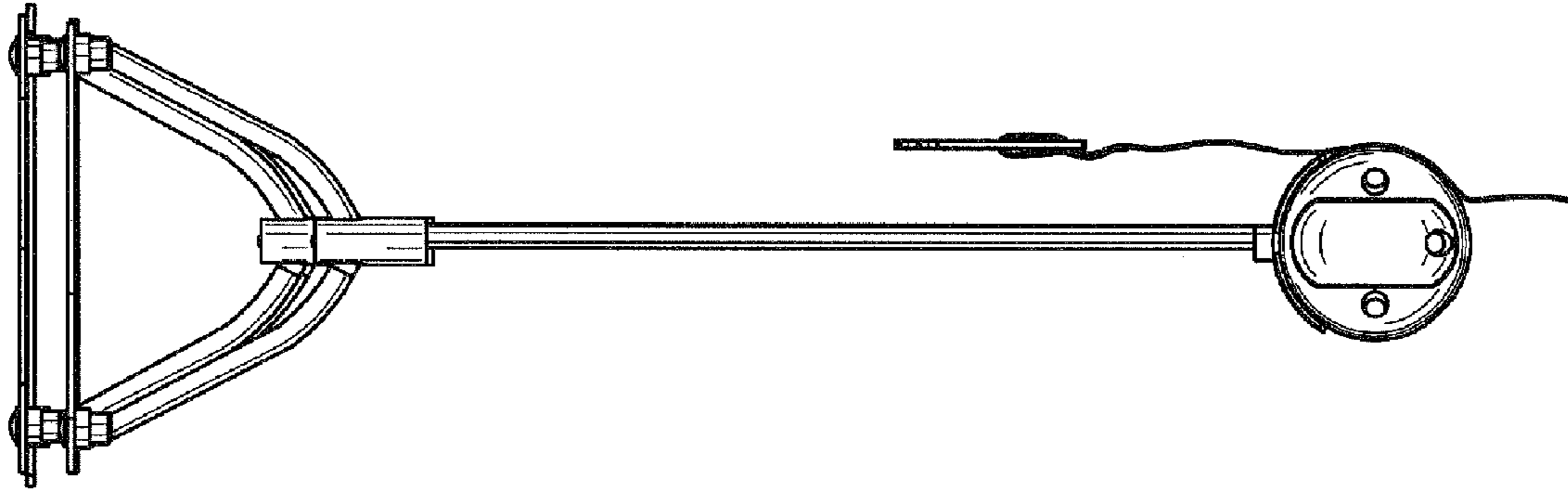


FIG. 6

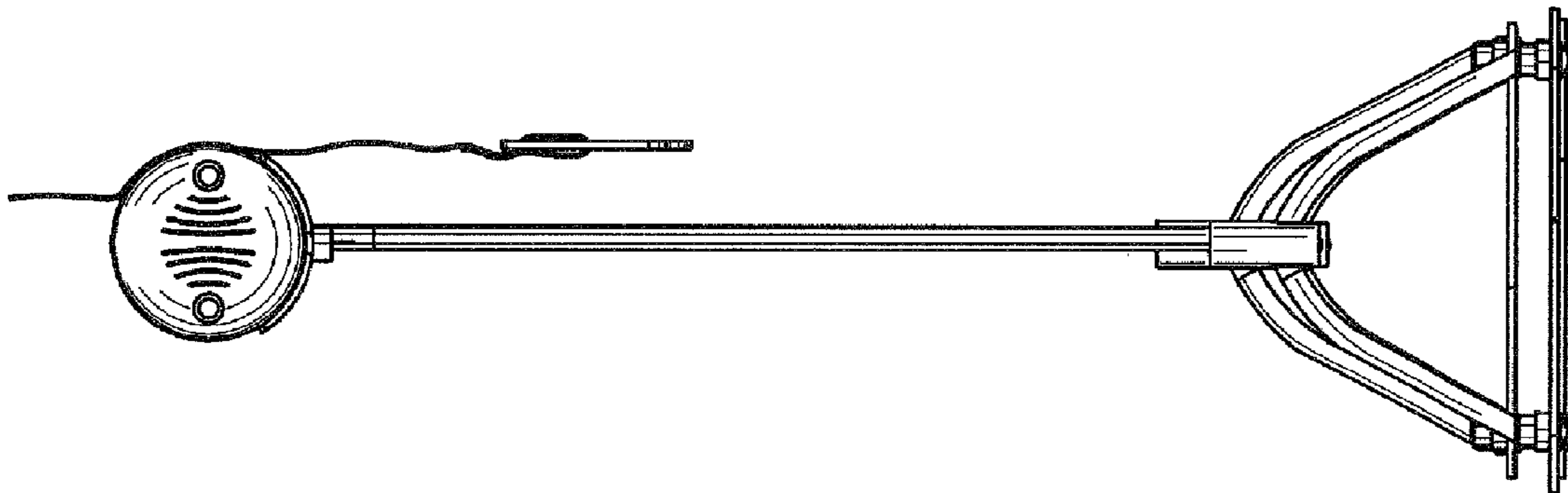


FIG. 7

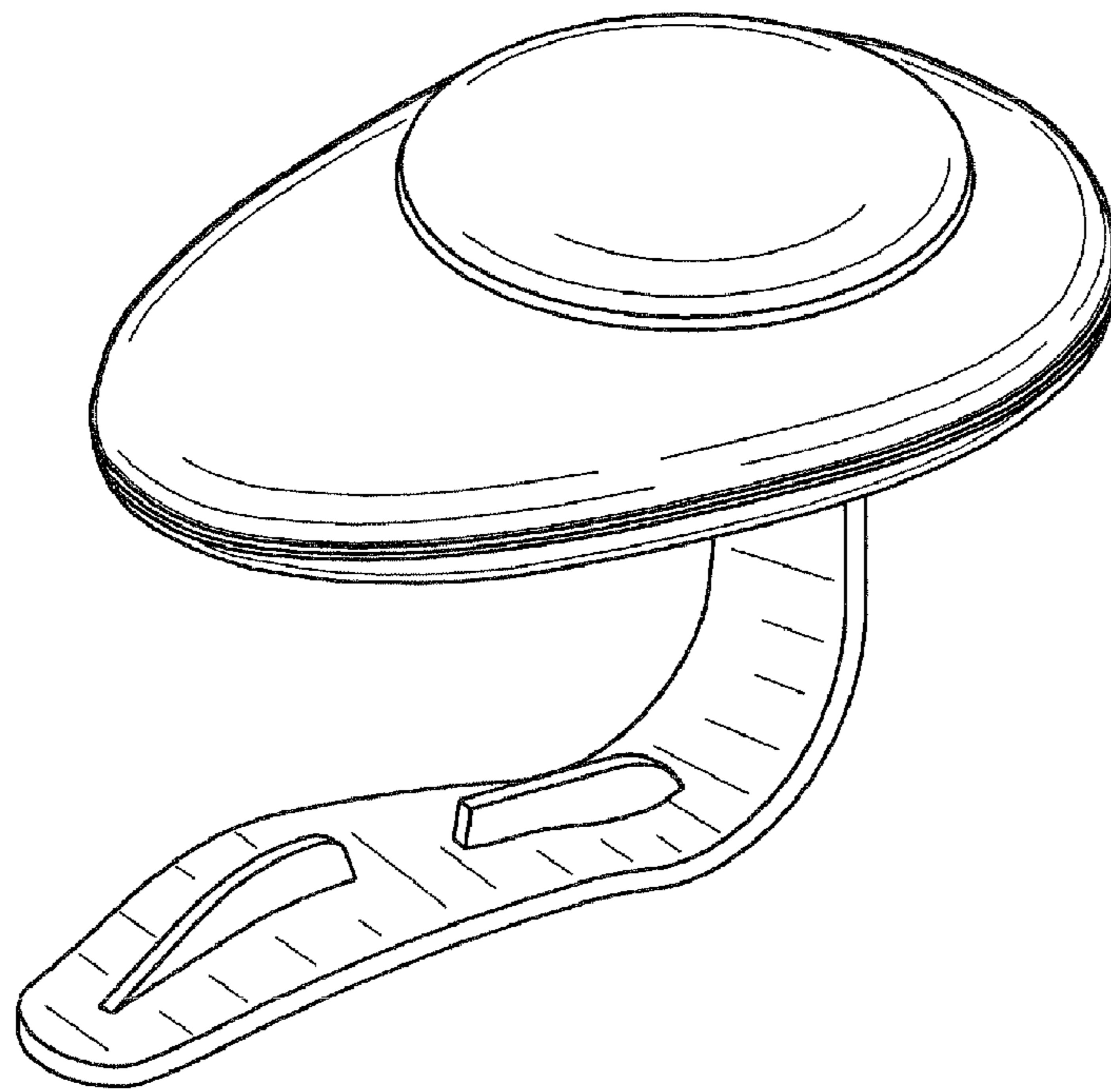


FIG. 8

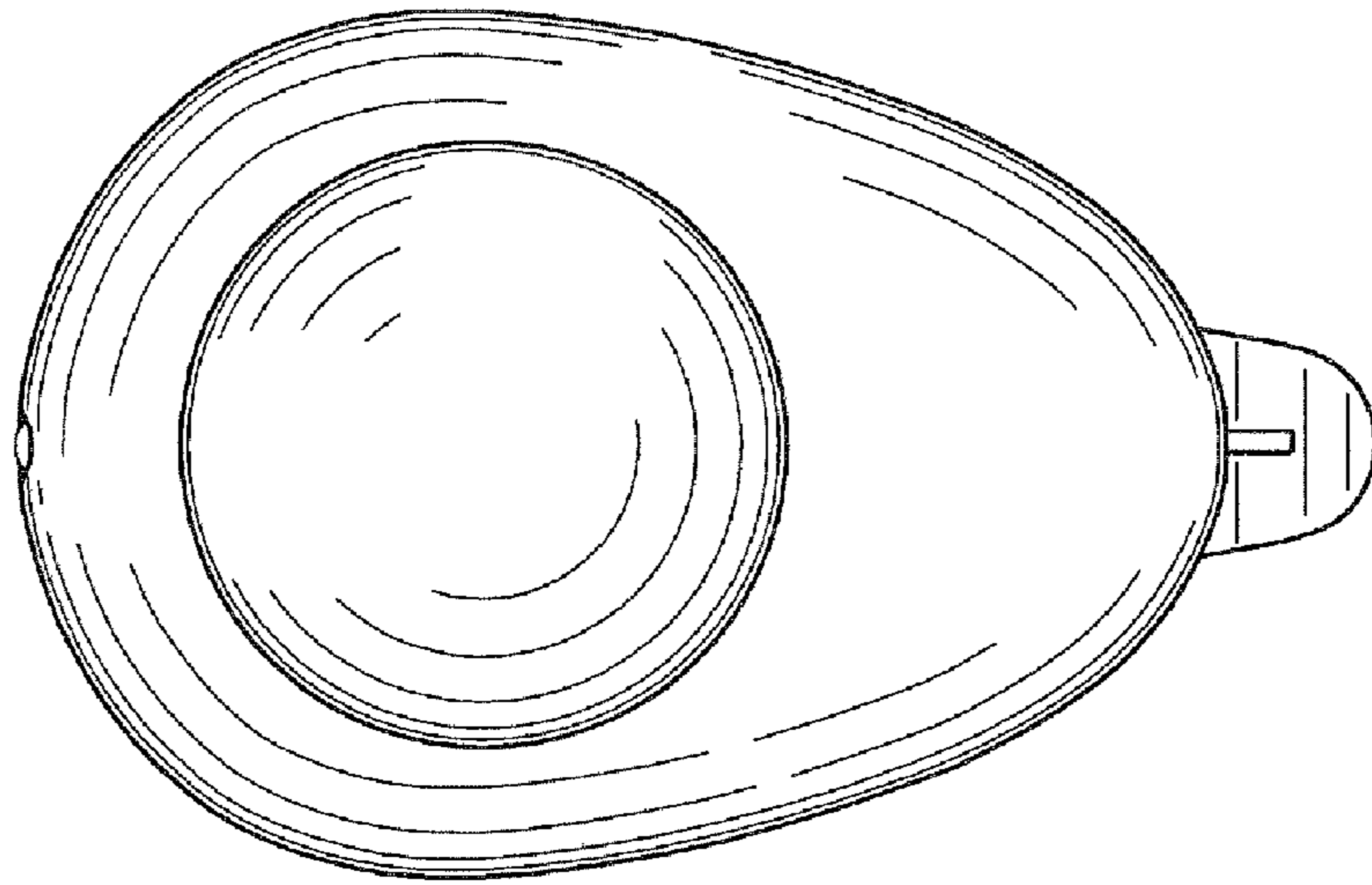


FIG. 9

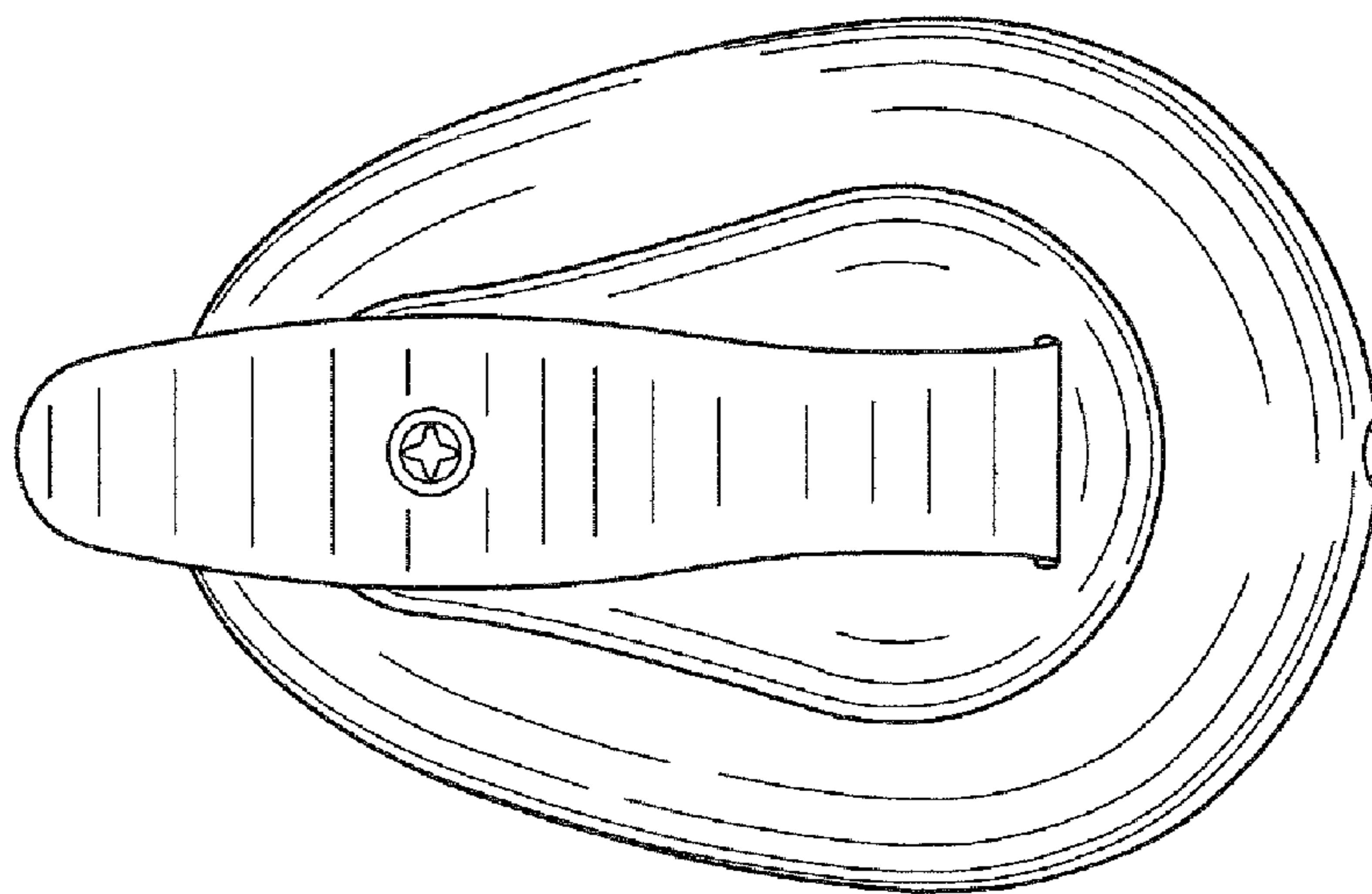


FIG. 10

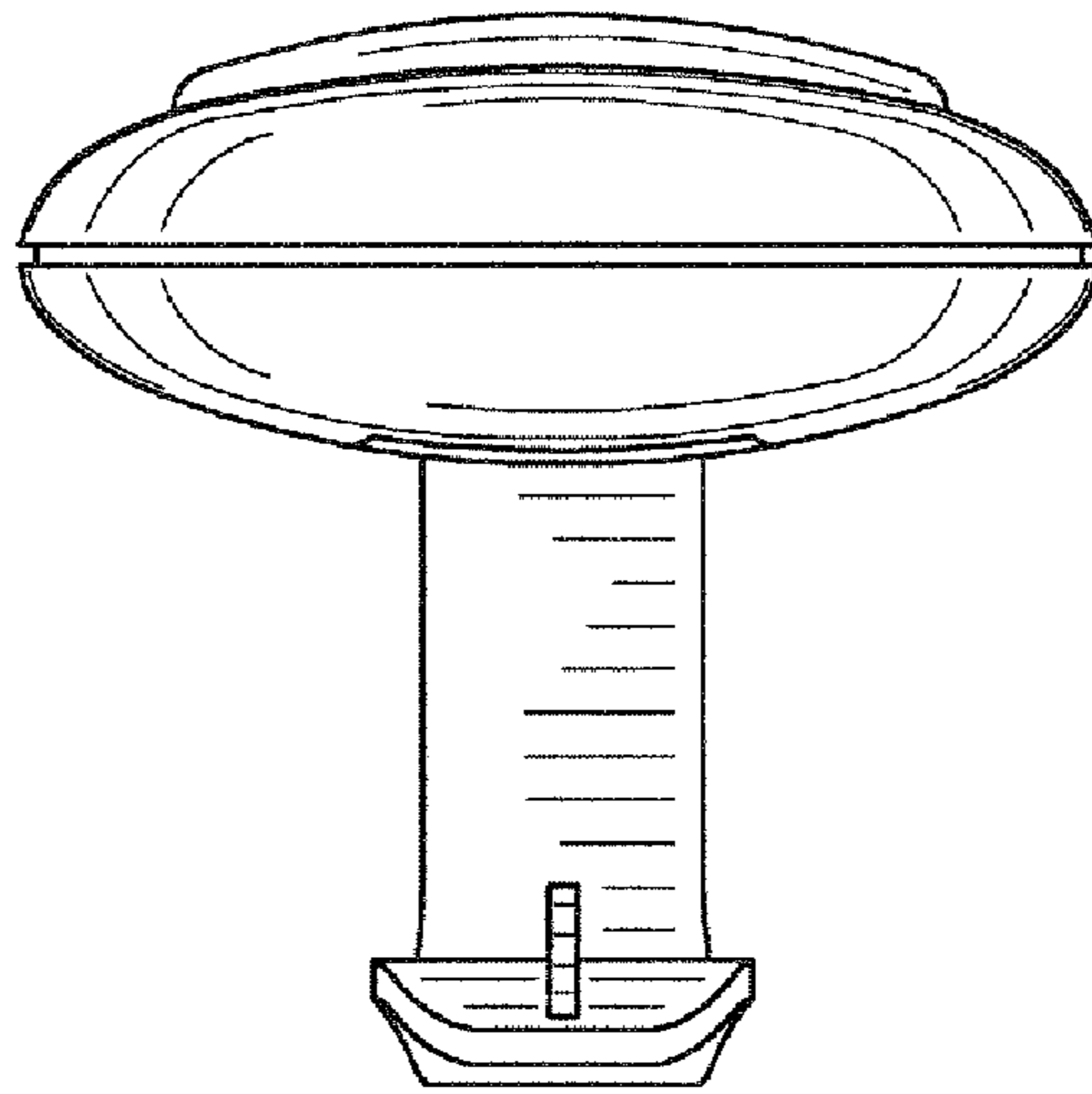


FIG. 11

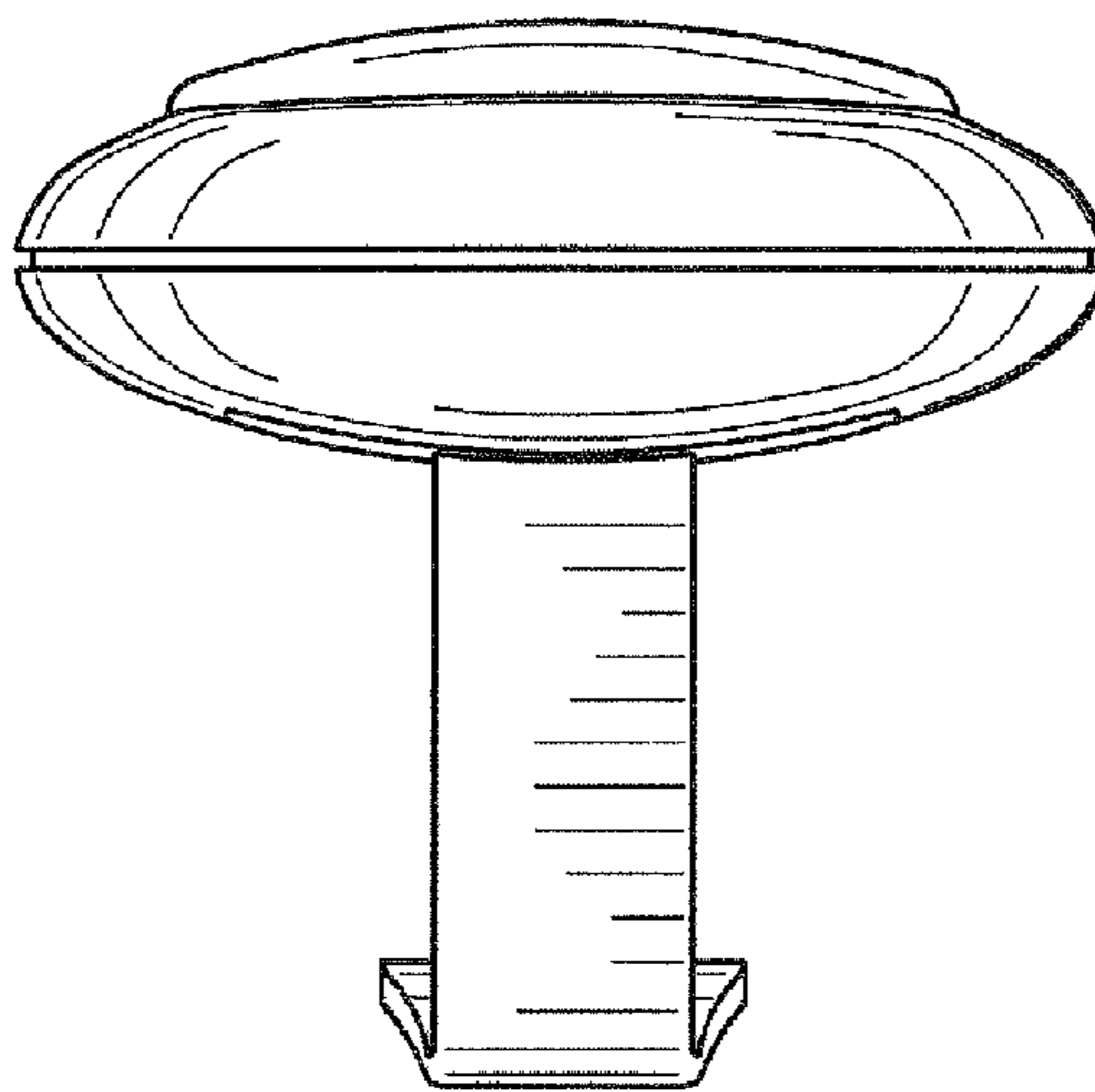


FIG. 12

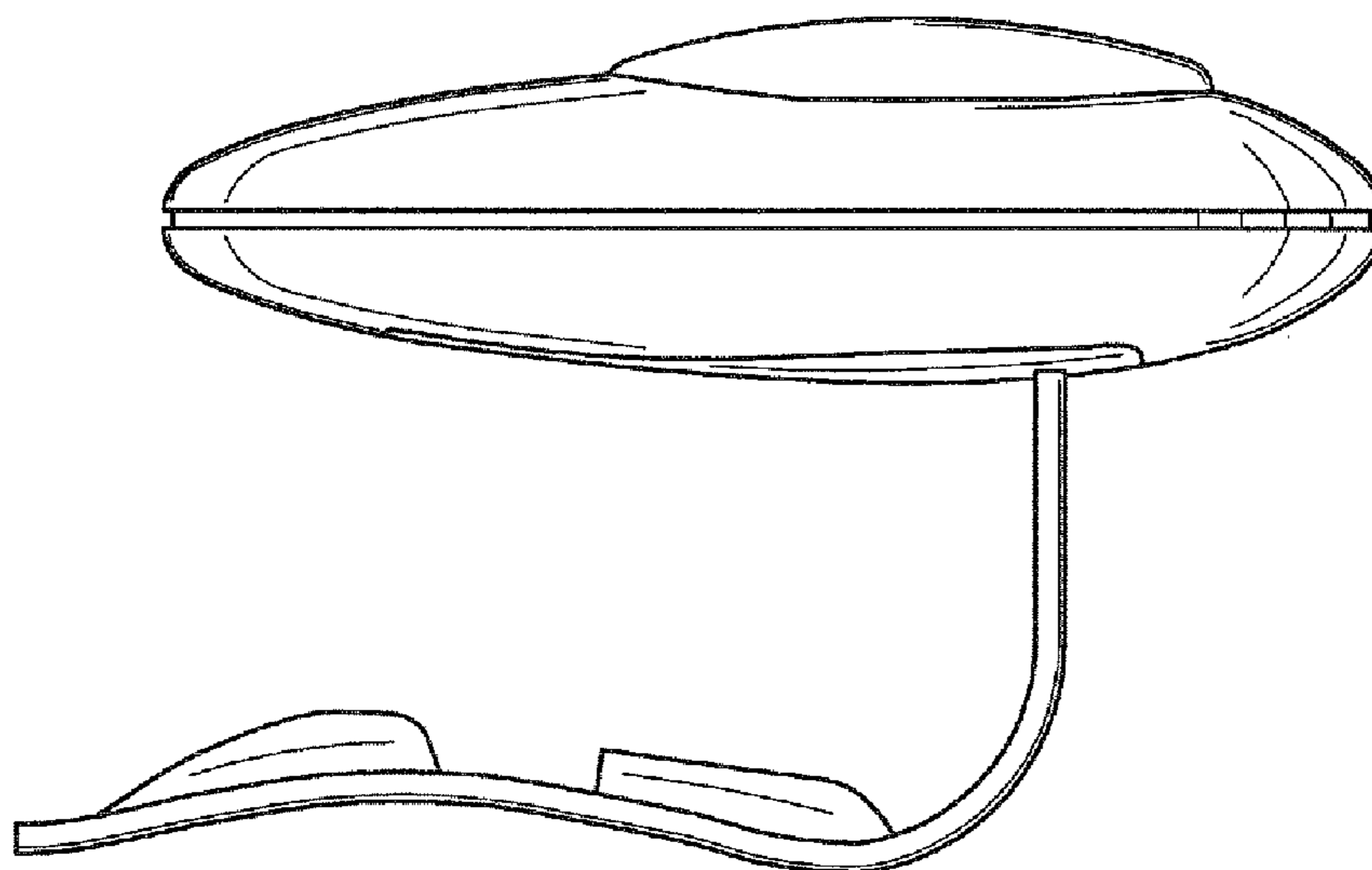


FIG.13

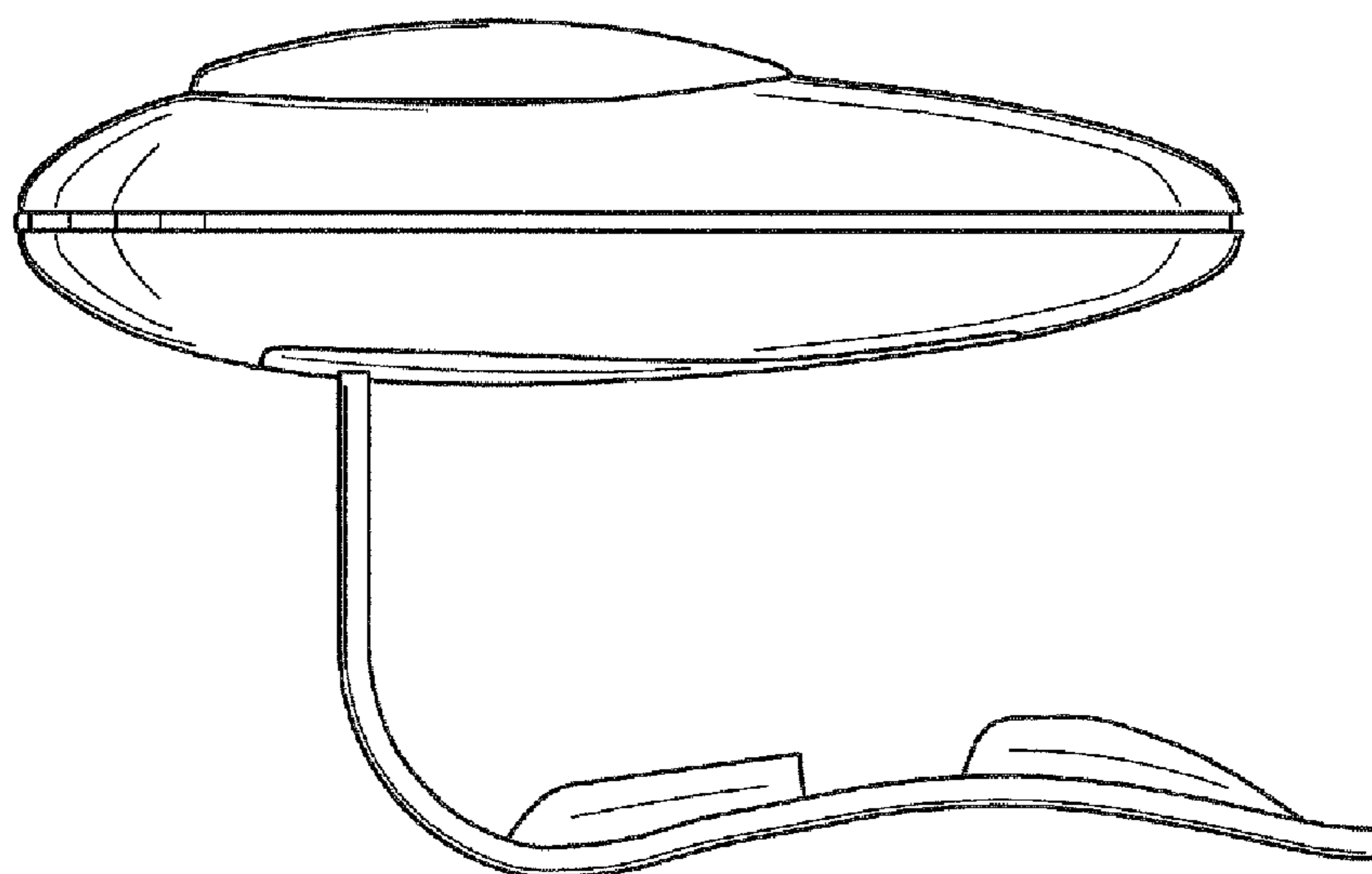


FIG.14