



US00D559329S

(12) **United States Design Patent** (10) **Patent No.:** **US D559,329 S**
Connally et al. (45) **Date of Patent:** **** Jan. 8, 2008**

(54) **MODEL AIRCRAFT**

(75) Inventors: **Michael Douglas Connally**,
Weatherford, TX (US); **Ernest Michael
Butler**, Mineral Wells, TX (US); **Craig
A. Golema**, Oakville (CA)

(73) Assignee: **Spin Master Ltd.**, Toronto, Ontario
(CA)

(**) Term: **14 Years**

(21) Appl. No.: **29/266,102**

(22) Filed: **Sep. 14, 2006**

(51) **LOC (8) Cl.** **21-01**

(52) **U.S. Cl.** **D21/447**

(58) **Field of Classification Search** D21/436-454,
D21/533, 542; D12/2-5, 300-317, 319-345;
446/34-68, 88-91, 153, 154, 160, 163, 165;
244/4 R, 9, 10, 12.1, 12.4, 12.6, 13, 16, 21,
244/23 R, 35 R, 45 R, 92, 101, 105, 106;
114/271-274, 280, 281, 283, 288, 292, 147,
114/148; 180/116-130

See application file for complete search history.

(56) **References Cited**

U.S. PATENT DOCUMENTS

D136,792 S	12/1943	Gazda	
D136,793 S	12/1943	Gazda	
D136,794 S	12/1943	Gazda	
D137,979 S	5/1944	Gazda	
2,957,647 A *	10/1960	Shew 244/12.6
D197,035 S	12/1963	Yeager, Sr.	
3,153,461 A *	10/1964	Bollum, Sr. 180/117
3,190,582 A	6/1965	Lippisch	
3,244,246 A *	4/1966	Walter 180/120
3,322,223 A *	5/1967	Bertelsen 180/120
D215,370 S	9/1969	Calkins et al.	
3,627,235 A	12/1971	Lippisch	
D235,858 S	7/1975	Lyford, III	
4,046,215 A *	9/1977	Hietanen et al. 180/116
D246,298 S	11/1977	Hansen	
4,712,630 A	12/1987	Blum	

4,944,240 A	7/1990	Morris	
D329,419 S	9/1992	Thomas, Jr. et al.	
5,277,383 A	1/1994	Tormakhov et al.	
5,295,890 A *	3/1994	Myers 446/176
D350,323 S	9/1994	Stracuzzi	
5,415,365 A	5/1995	Ratliff	
5,562,061 A	10/1996	Crocker	
5,622,133 A	4/1997	Sinitsyn et al.	
6,409,122 B1	6/2002	Nicolai	
6,581,536 B1	6/2003	Belloso	
6,612,893 B2	9/2003	Rehkemper	
D504,921 S	5/2005	Wei	
7,073,750 B1	7/2006	Choi	
D533,604 S *	12/2006	Butler et al. D21/447
2002/0106961 A1	8/2002	Barthold	
2005/0183898 A1	8/2005	Martirosov	

OTHER PUBLICATIONS

U.S. Appl. No. 29/233,624, filed Jul. 7, 2005, Ernest Butler et al.

* cited by examiner

Primary Examiner—Catherine Tuttle

(74) *Attorney, Agent, or Firm*—Cohen Pontani Lieberman & Pavane LLP

(57) **CLAIM**

The ornamental design for a model aircraft, as shown and described.

DESCRIPTION

FIG. 1 is a front perspective view of the model aircraft;

FIG. 2 is a top view of the model aircraft;

FIG. 3 is a bottom view of the model aircraft;

FIG. 4. is a right side view of the model aircraft;

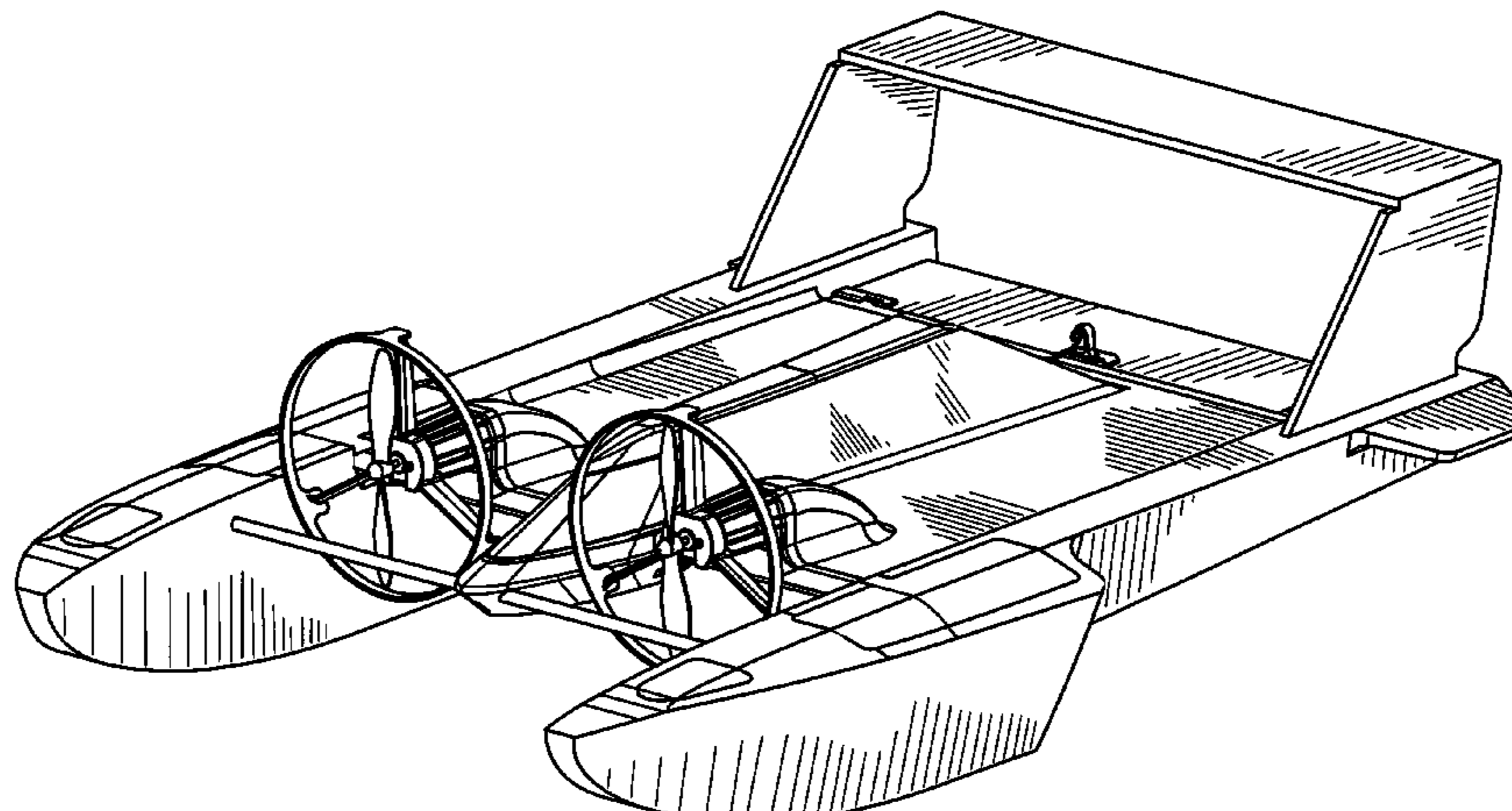
FIG. 5 is a left side view of the model aircraft;

FIG. 6 is a front view of the model aircraft; and,

FIG. 7 is a rear view of the model aircraft.

The broken lines in FIGS. 3 and 7 are included for the purpose of illustrating portions of the model aircraft that form no part of the claimed design.

1 Claim, 7 Drawing Sheets



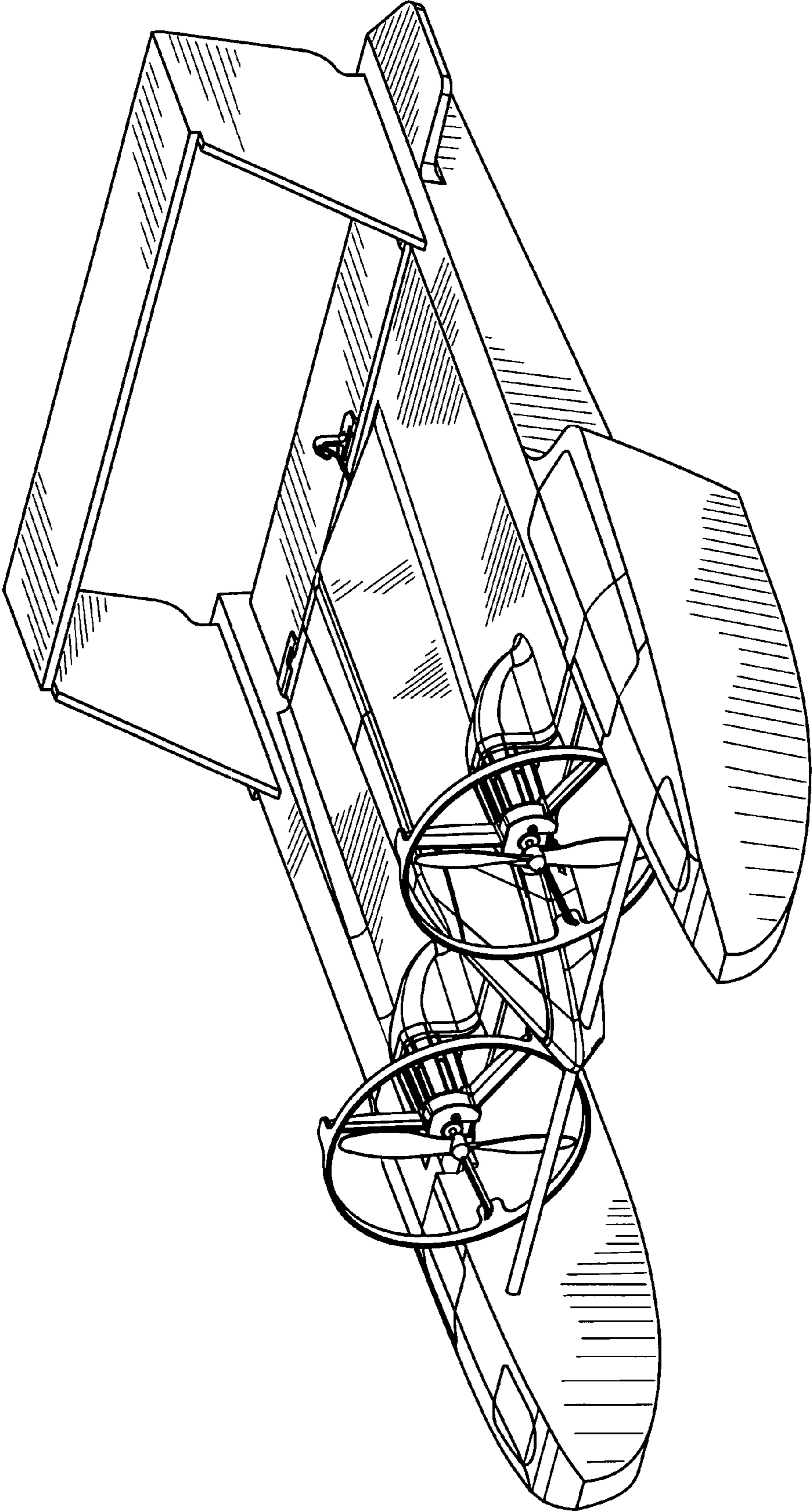


Fig. 1

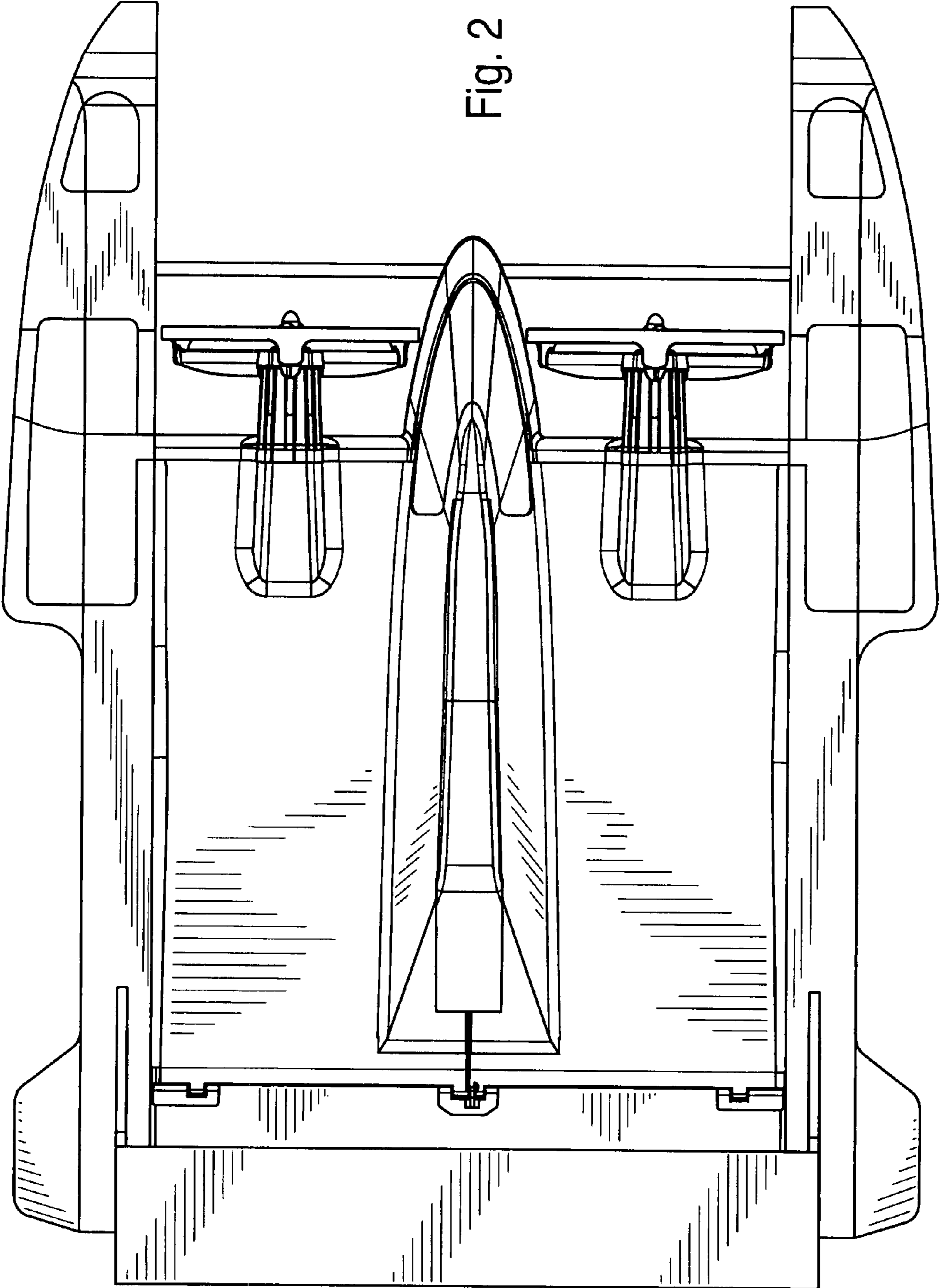
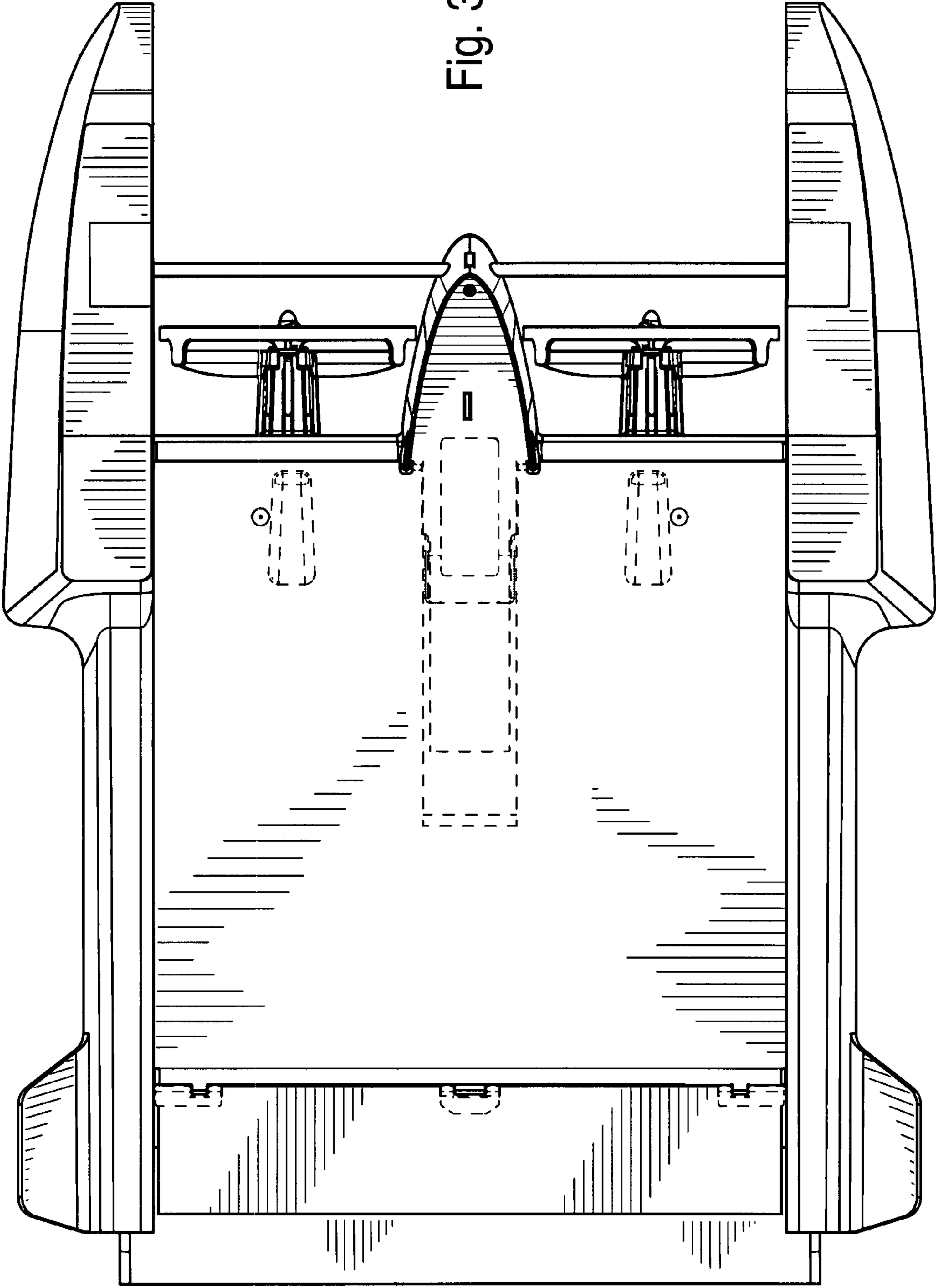


Fig. 2

Fig. 3



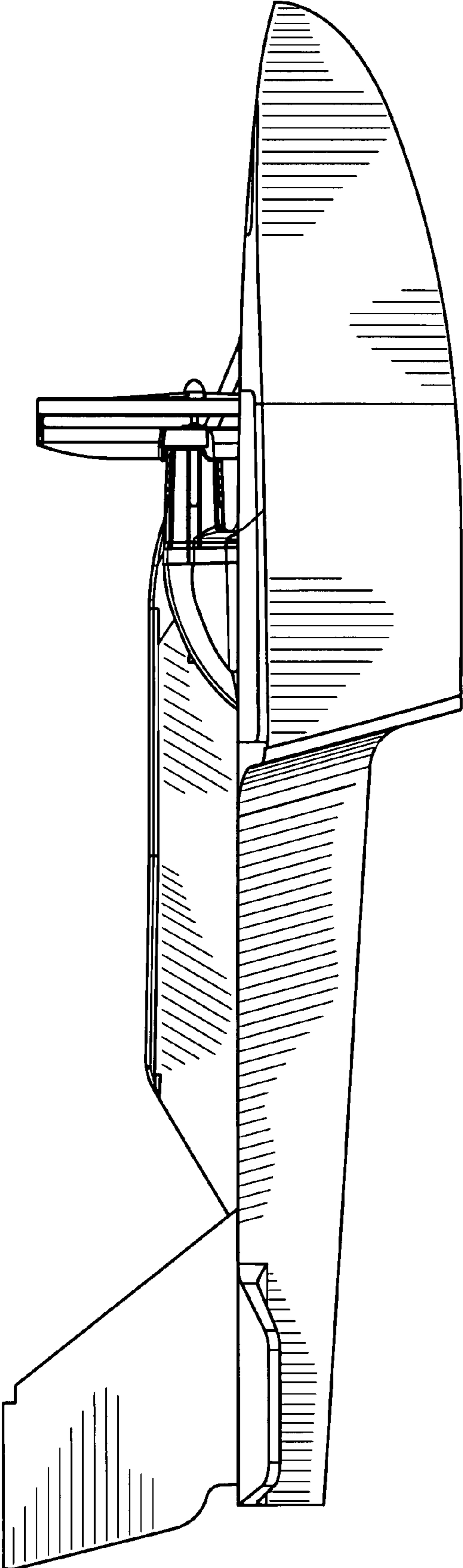


Fig. 4

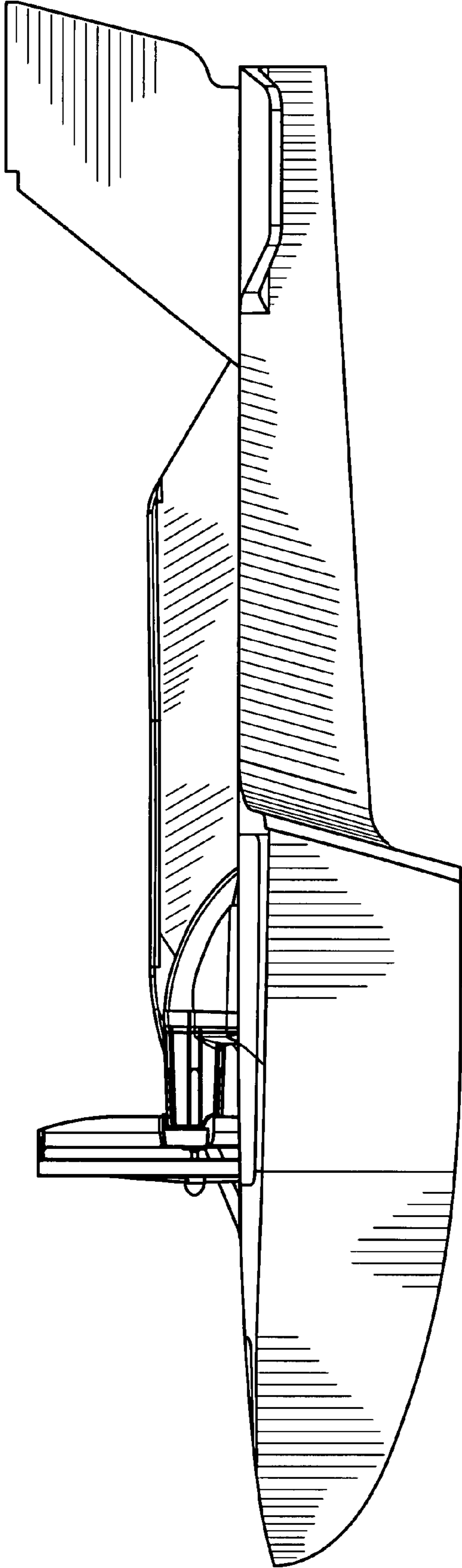
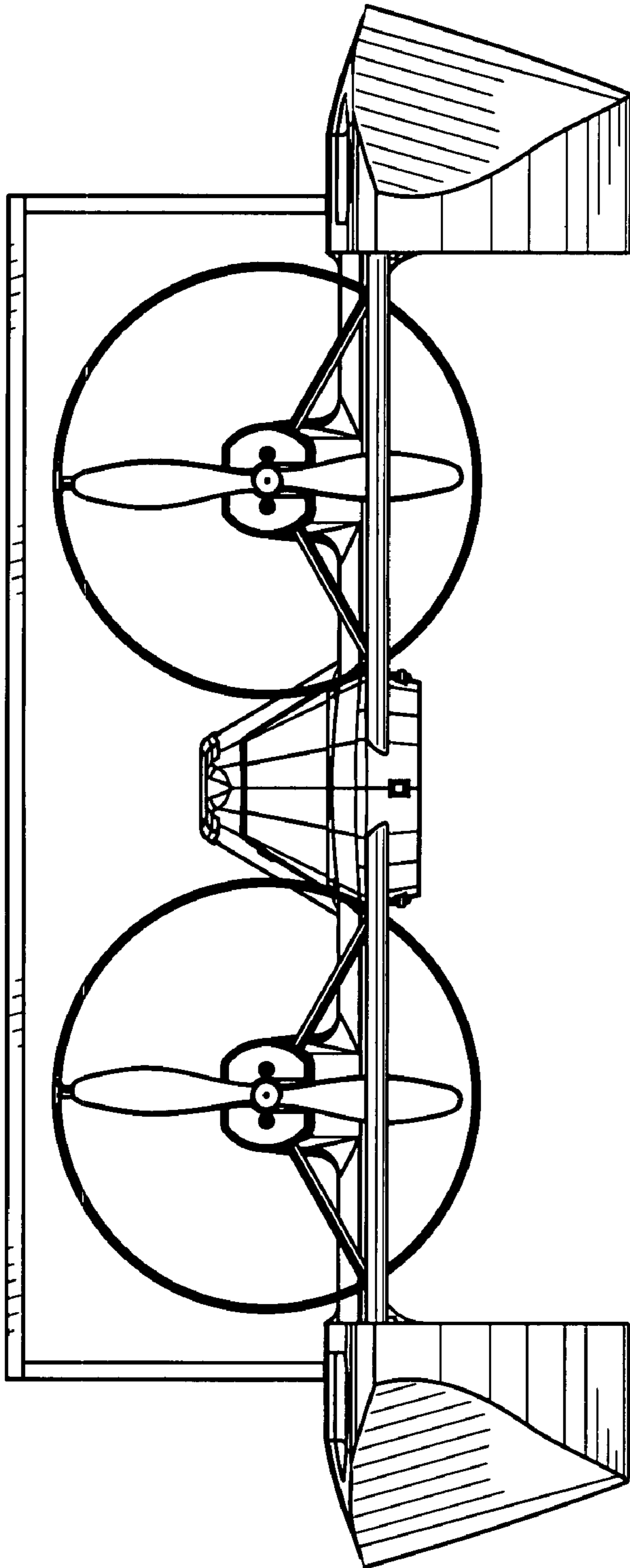


Fig. 5

Fig. 6



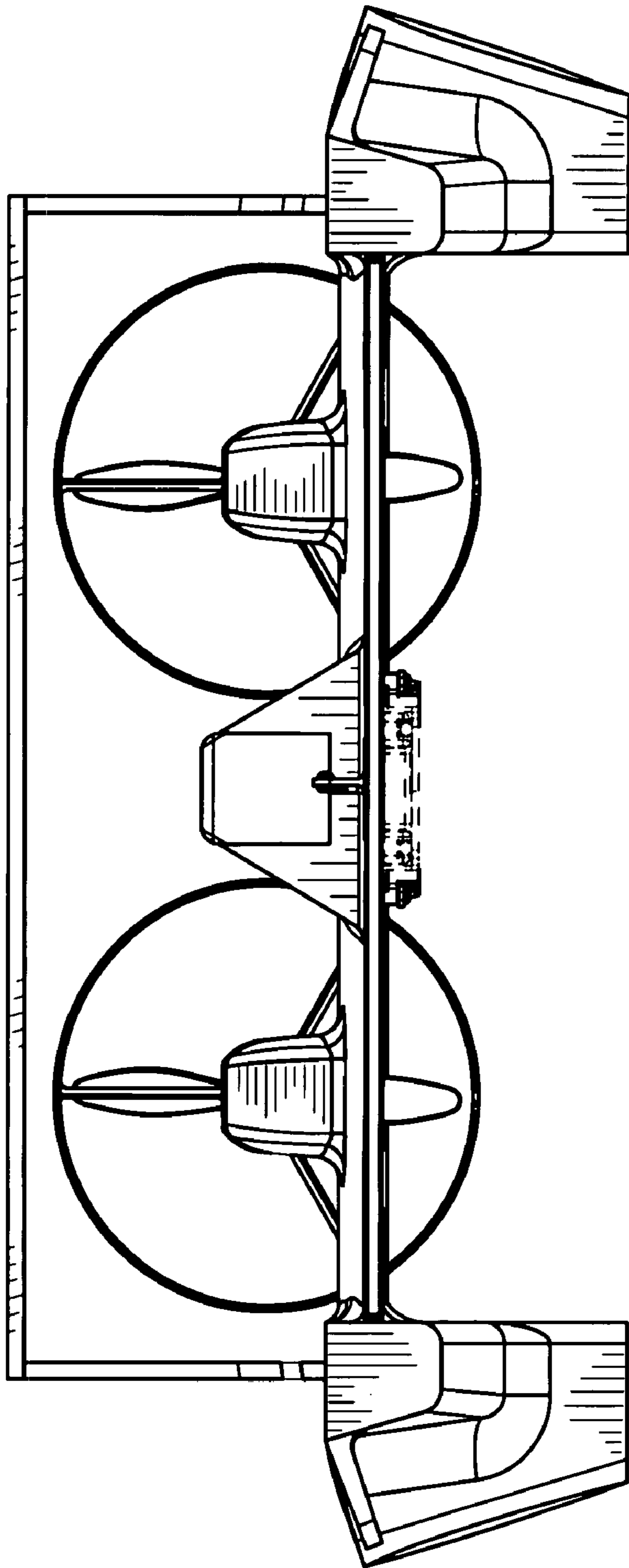


Fig. 7