



US00D559323S

(12) **United States Design Patent**
Peterson et al.

(10) **Patent No.:** **US D559,323 S**
(45) **Date of Patent:** **** Jan. 8, 2008**

(54) **PENCIL SHARPENER**

2007/0151113 A1* 7/2007 Green 30/454

(75) Inventors: **Michael E. Peterson**, Fairfield, CT (US); **Stuart D. Farnworth**, Westport, CT (US); **James E. McCay**, Fairfield, CT (US)

(73) Assignee: **Acme United Corporation**, Fairfield, CT (US)

(**) Term: **14 Years**

(21) Appl. No.: **29/261,910**

(22) Filed: **Jun. 22, 2006**

(51) **LOC (8) Cl.** **19-06**

(52) **U.S. Cl.** **D19/73**

(58) **Field of Classification Search** D19/65,
D19/72-74, 95, 99, 100; D7/694; D8/91,
D8/98; 30/451-462; 144/28, 28.11, 28.1-28.9,
144/28.71-72

See application file for complete search history.

(56) **References Cited**

U.S. PATENT DOCUMENTS

D121,136 S *	6/1940	Benson	D7/378
D173,722 S *	12/1954	Cote	D19/73
2,757,909 A *	8/1956	Wayne	241/282.2
2,785,657 A *	3/1957	Wolfson	144/28.1
3,276,434 A *	10/1966	Dorstewitz	144/28.1
3,991,798 A *	11/1976	Grosjean	144/28.1
4,231,405 A *	11/1980	Vila	144/28.4
5,052,453 A *	10/1991	Chen	144/28.5
D324,700 S *	3/1992	Shimoo et al.	D19/73
D466,759 S *	12/2002	Moore	D7/378
2006/0288593 A1 *	12/2006	Peterson et al.	30/453

OTHER PUBLICATIONS

Acme iPoint Auto eject Electric Pencil Sharpener, as shown on www.business-supply.com, viewed Jul. 17, 2007 (1 page).*

iPoint Pencil Sharpener, as shown on www.designdirectory.com, viewed Jul. 17, 2007 (1 page).*

iPoint Battery-Power Pencil Sharpener, as shown on www.keysan.com, viewed Jul. 17, 2007 (1 page).*

* cited by examiner

Primary Examiner—Elizabeth A. Albert

Assistant Examiner—Karen E Eldridge Powers

(74) *Attorney, Agent, or Firm*—Alix, Yale & Ristas, LLP

(57) **CLAIM**

The ornamental design for a pencil sharpener, as shown and described.

DESCRIPTION

FIG. 1 is a perspective view of the pencil sharpener showing our new design;

FIG. 2 is a rear view of the pencil sharpener of FIG. 1;

FIG. 3 is a front view of the pencil sharpener of FIG. 1;

FIG. 4 is a right side view of the pencil sharpener of FIG. 1;

FIG. 5 is a left side view of the pencil sharpener of FIG. 1;

FIG. 6 is a top view of the pencil sharpener of FIG. 1; and,

FIG. 7 is a bottom view of the pencil sharpener of FIG. 1.

The broken line showing of screw-like circular motifs in FIG. 7 is illustrative of environmental structure only and forms no part of the claimed design.

1 Claim, 6 Drawing Sheets

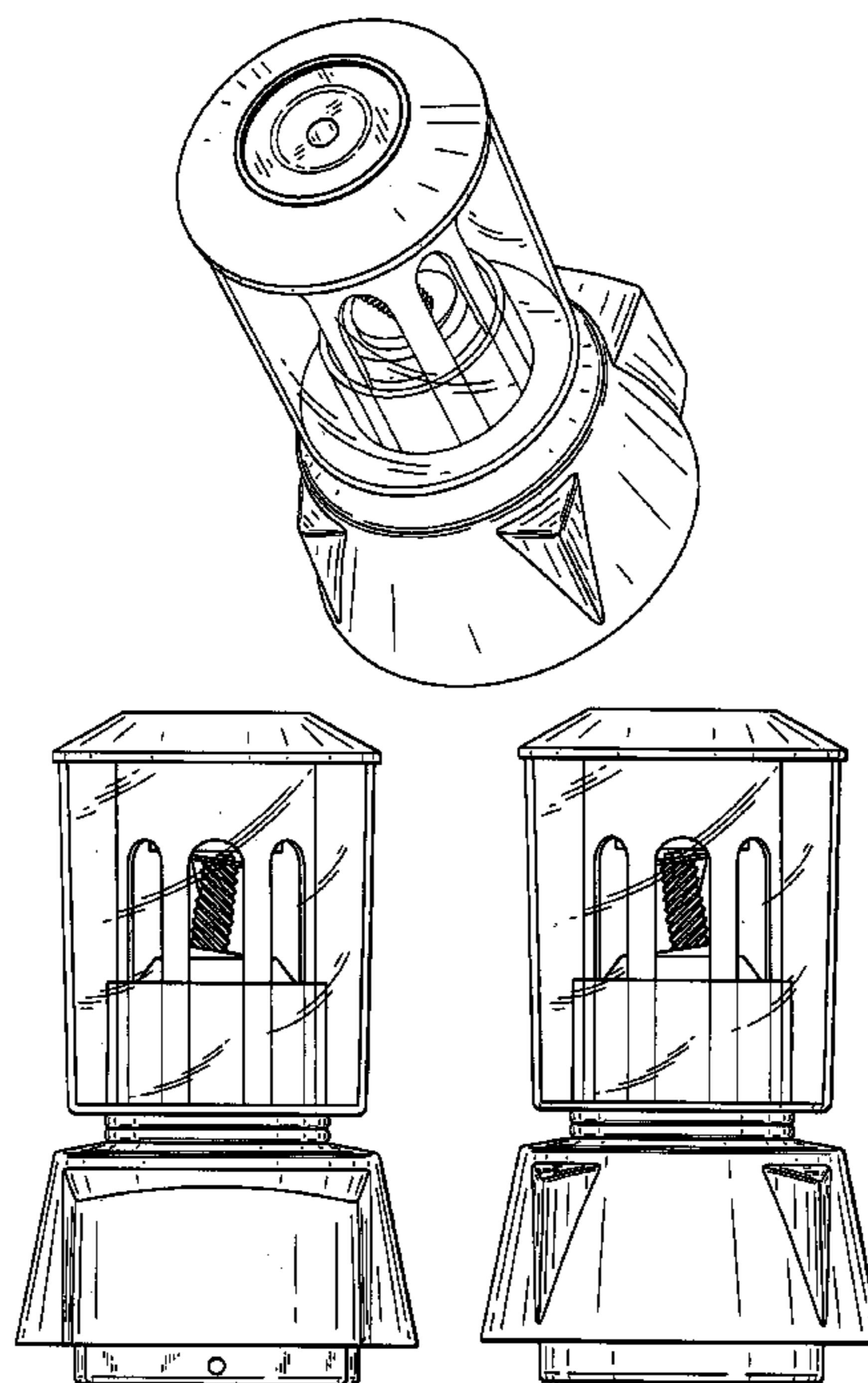


FIG. 1

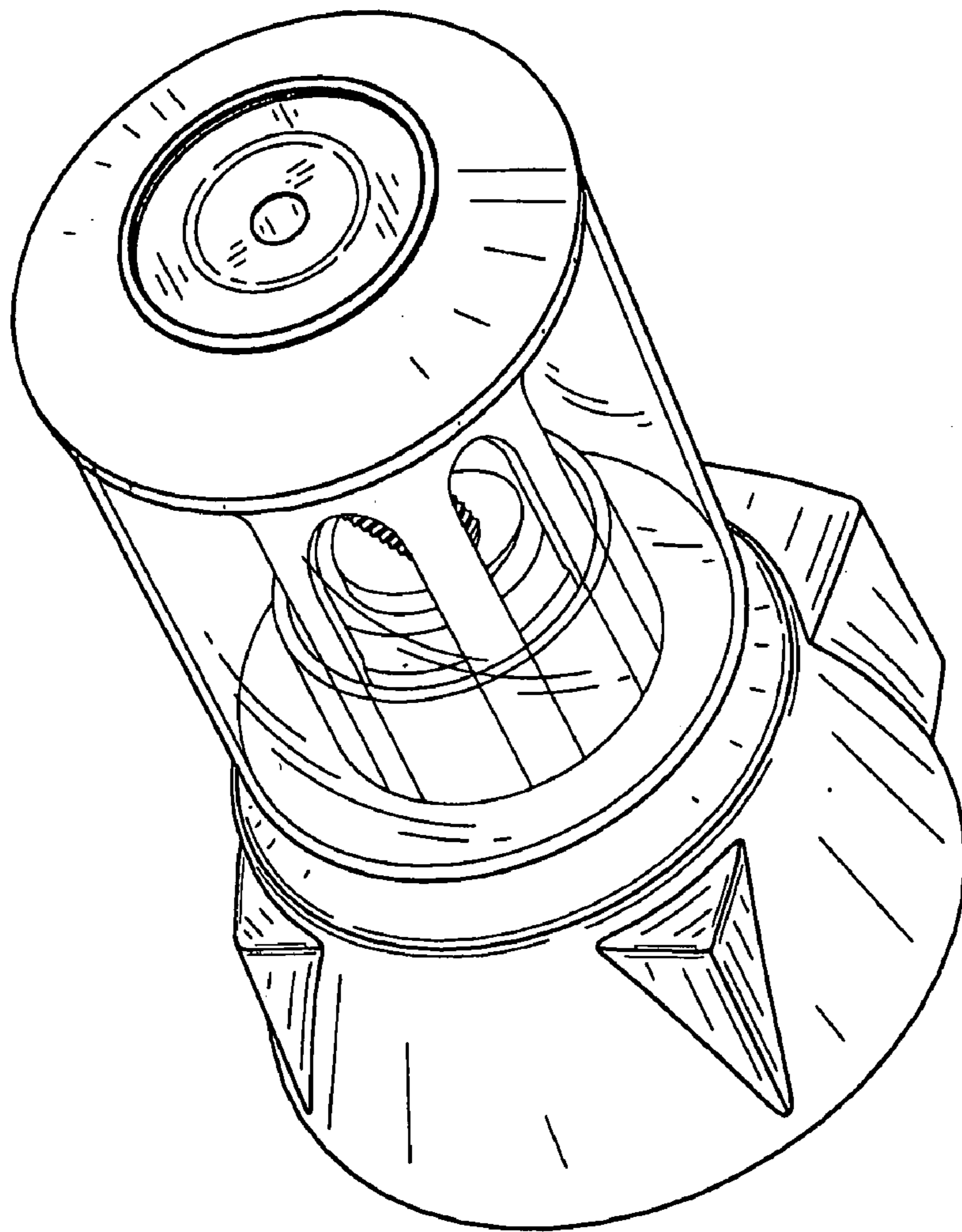


FIG. 2

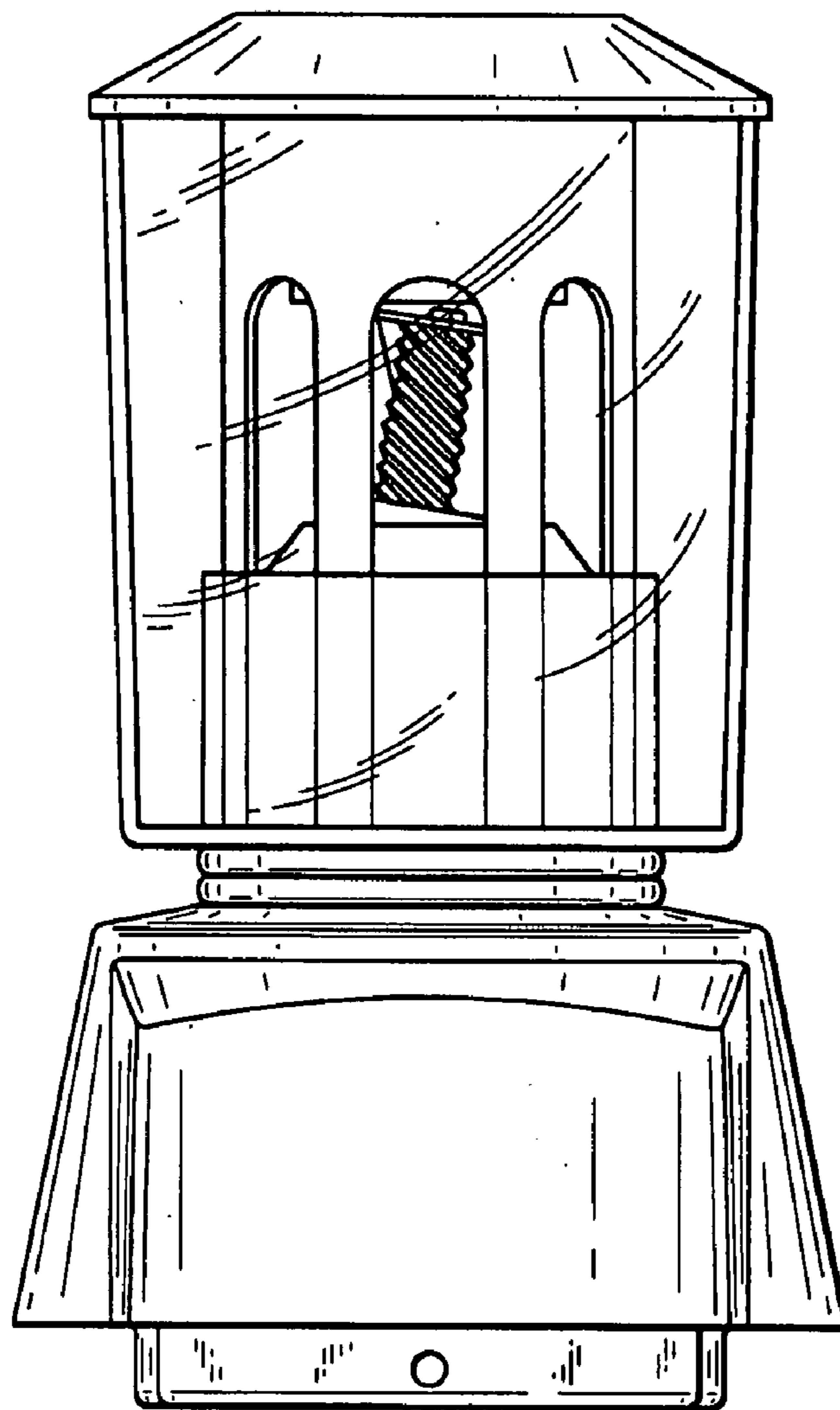


FIG. 3

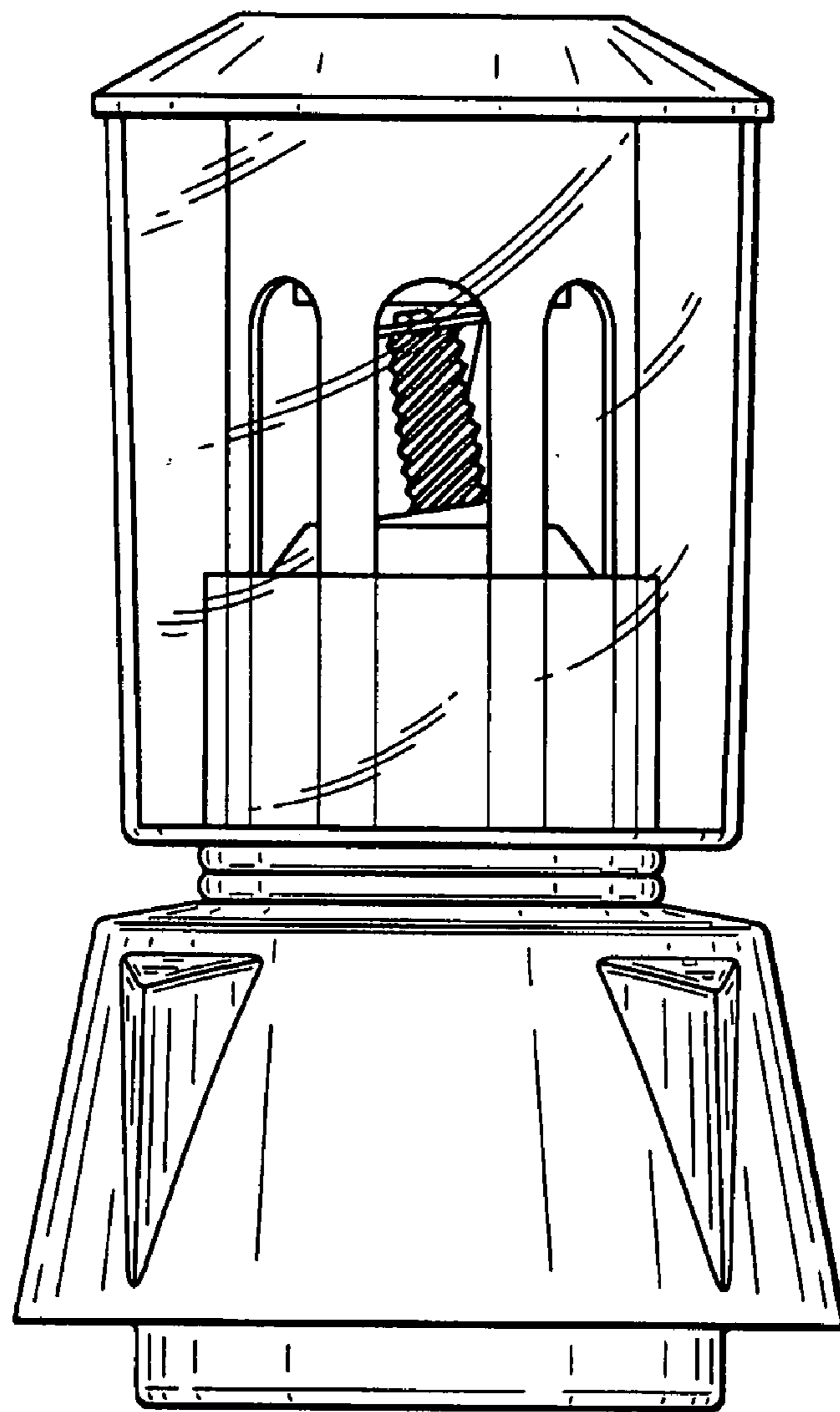


FIG. 4

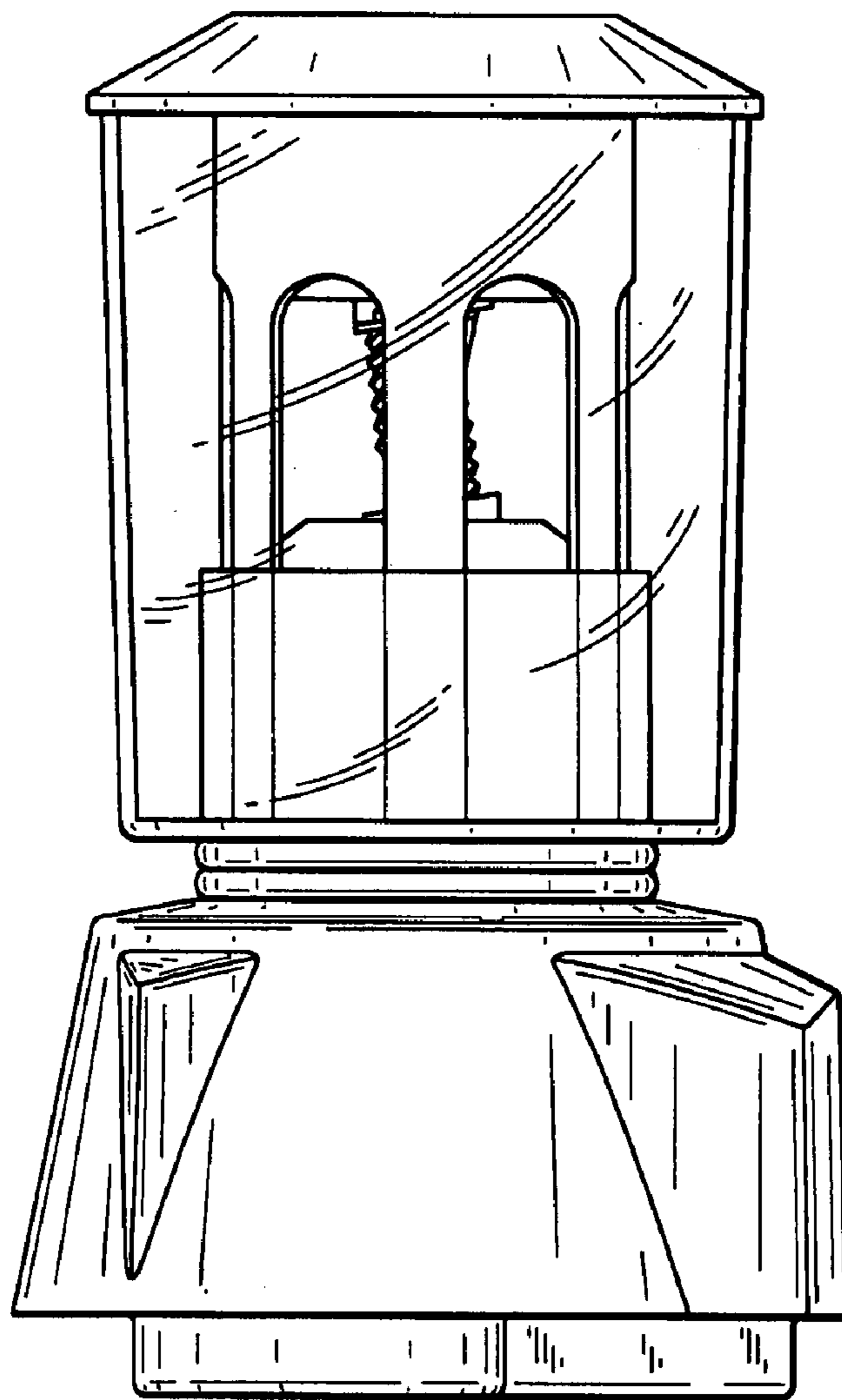


FIG. 5

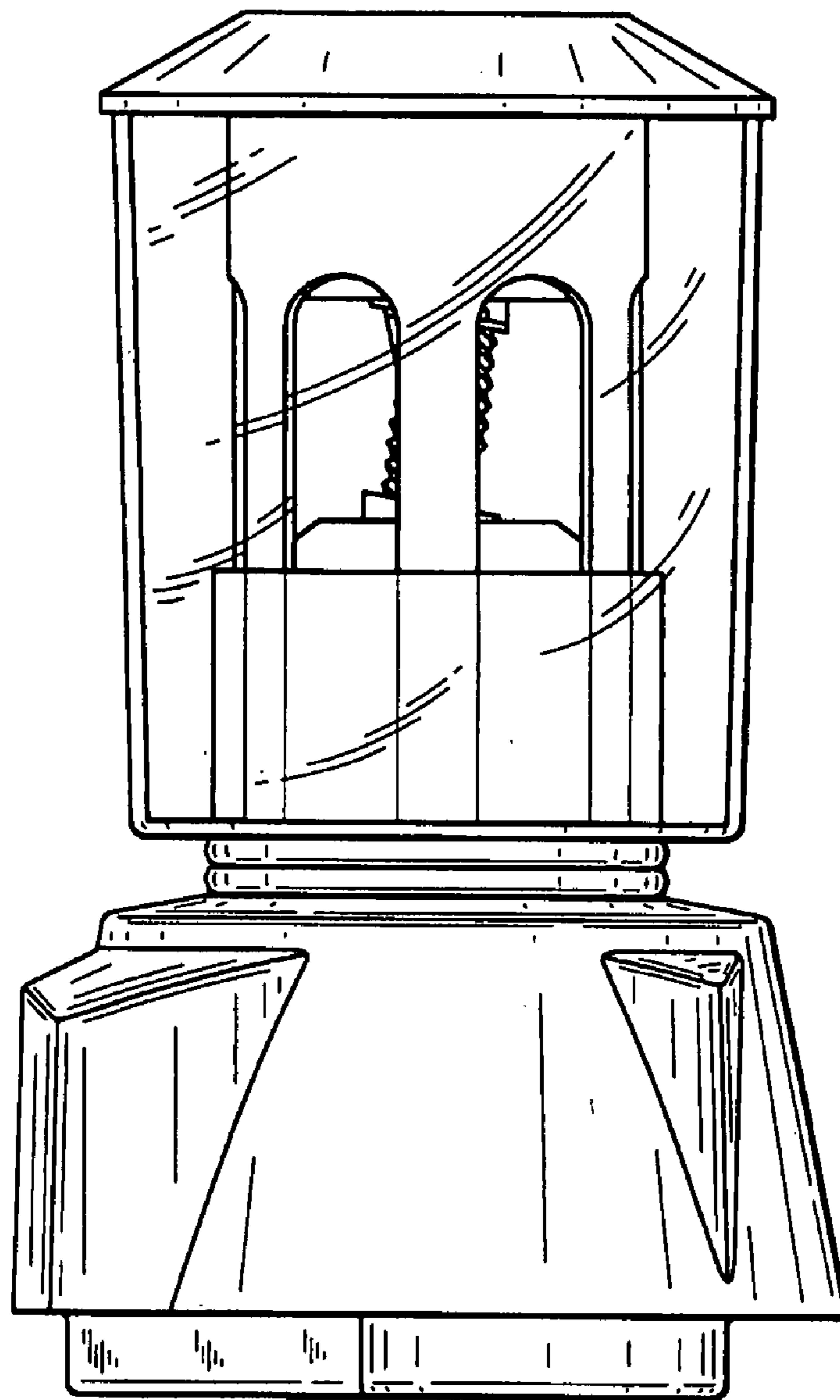


FIG. 6

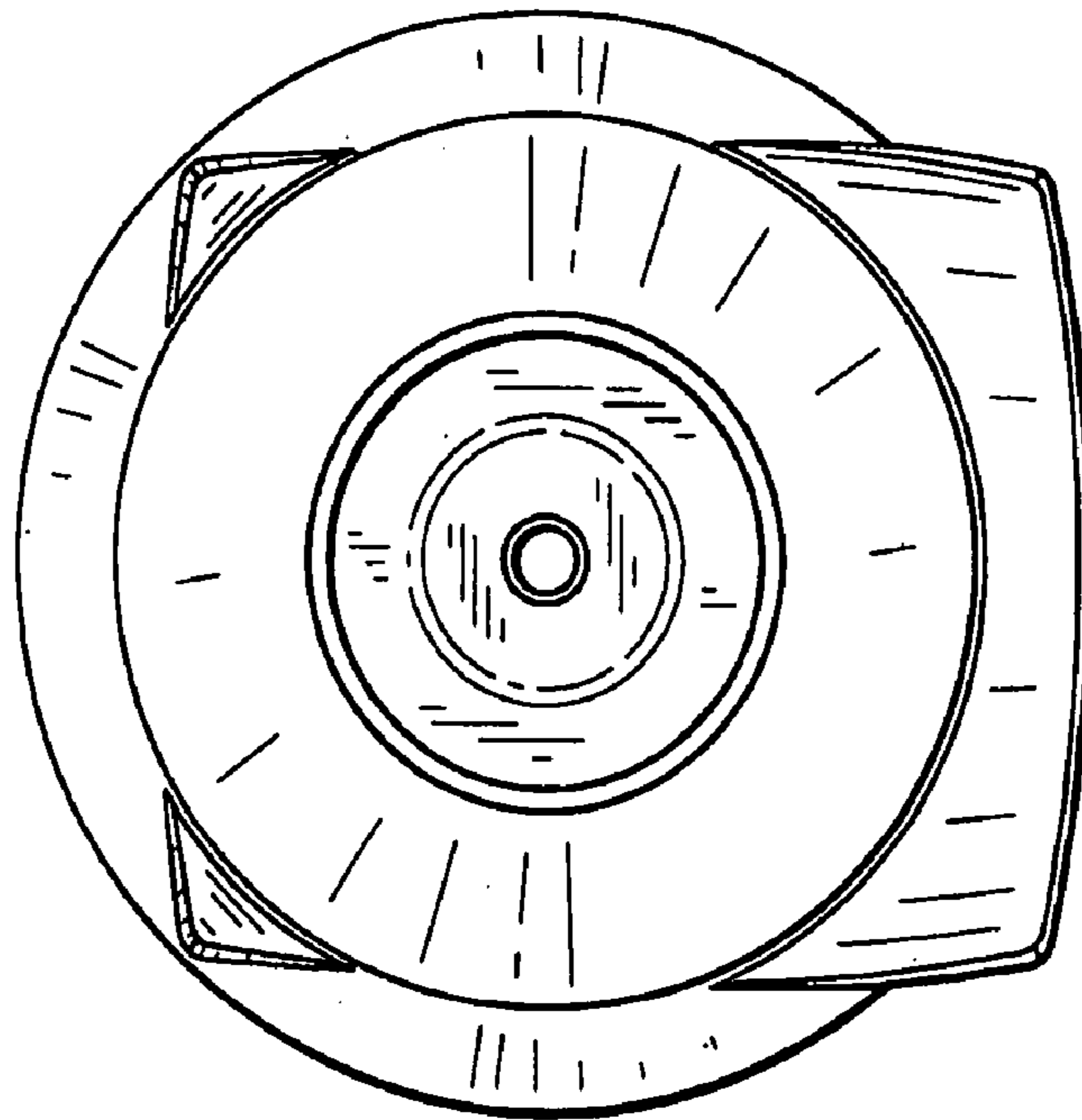


FIG. 7

