

US00D559322S

(12) **United States Design Patent**  
**Kobayashi**

(10) **Patent No.:** **US D559,322 S**  
(45) **Date of Patent:** **\*\* Jan. 8, 2008**

(54) **COATING TRANSFER DEVICE**

(57) **CLAIM**

(75) Inventor: **Kenji Kobayashi**, Tokyo (JP)

I claim the ornamental design for the coating transfer device,  
as shown and described.

(73) Assignee: **Tombow Pencil Co., Ltd.**, Tokyo (JP)

(\*\*) Term: **14 Years**

**DESCRIPTION**

(21) Appl. No.: **29/285,756**

(22) Filed: **Apr. 9, 2007**

(30) **Foreign Application Priority Data**

Oct. 20, 2006 (JP) ..... 2006-028592

(51) **LOC (8) Cl.** ..... **19-02**

(52) **U.S. Cl.** ..... **D19/69**

(58) **Field of Classification Search** ..... D19/66,  
D19/67, 68, 69, 70; 156/523, 257, 540, 577;  
206/411; 225/6, 25, 39, 77; 242/588, 588.1,  
242/588.2, 588.3, 588.6, 598.5

See application file for complete search history.

FIG. 1 is a front view of the coating transfer device with the  
protection cap in a protective position;

FIG. 2 is a rear view thereof;

FIG. 3 is a top view thereof;

FIG. 4 is a bottom view thereof;

FIG. 5 is a side view thereof;

FIG. 6 is a perspective view of the coating transfer device  
with the protection cap in a partially opened position;

FIG. 7 is a front view of the application head with the  
protection cap in a fully opened position;

FIG. 8 is a rear view thereof;

FIG. 9 is a top view thereof;

FIG. 10 is a bottom view thereof;

FIG. 11 is a side view thereof;

FIG. 12 is an enlarged partial front view of the of the  
protection cap of the application head shown separately for  
completeness of illustration;

FIG. 13 is a rear view of FIG. 12;

FIG. 14 is a top view of FIG. 12;

FIG. 15 is a bottom view of FIG. 12;

FIG. 16 is a right side view of FIG. 12; and,

FIG. 17 is a left side view of FIG. 12.

The broken line showing of the elements of the coating  
transfer device is for the purpose of illustrating portions of  
the body of the device and forms no part of the claimed  
design.

(56) **References Cited**

**U.S. PATENT DOCUMENTS**

D418,165 S \* 12/1999 Katami ..... D19/69  
6,059,002 A \* 5/2000 Katami ..... 156/541  
6,145,770 A \* 11/2000 Manusch et al. .... 242/422.4  
D435,595 S \* 12/2000 Kimura ..... D19/69  
6,270,578 B1 \* 8/2001 Murakoshi ..... 118/257  
6,273,169 B1 \* 8/2001 Ono et al. .... 156/540

(Continued)

**FOREIGN PATENT DOCUMENTS**

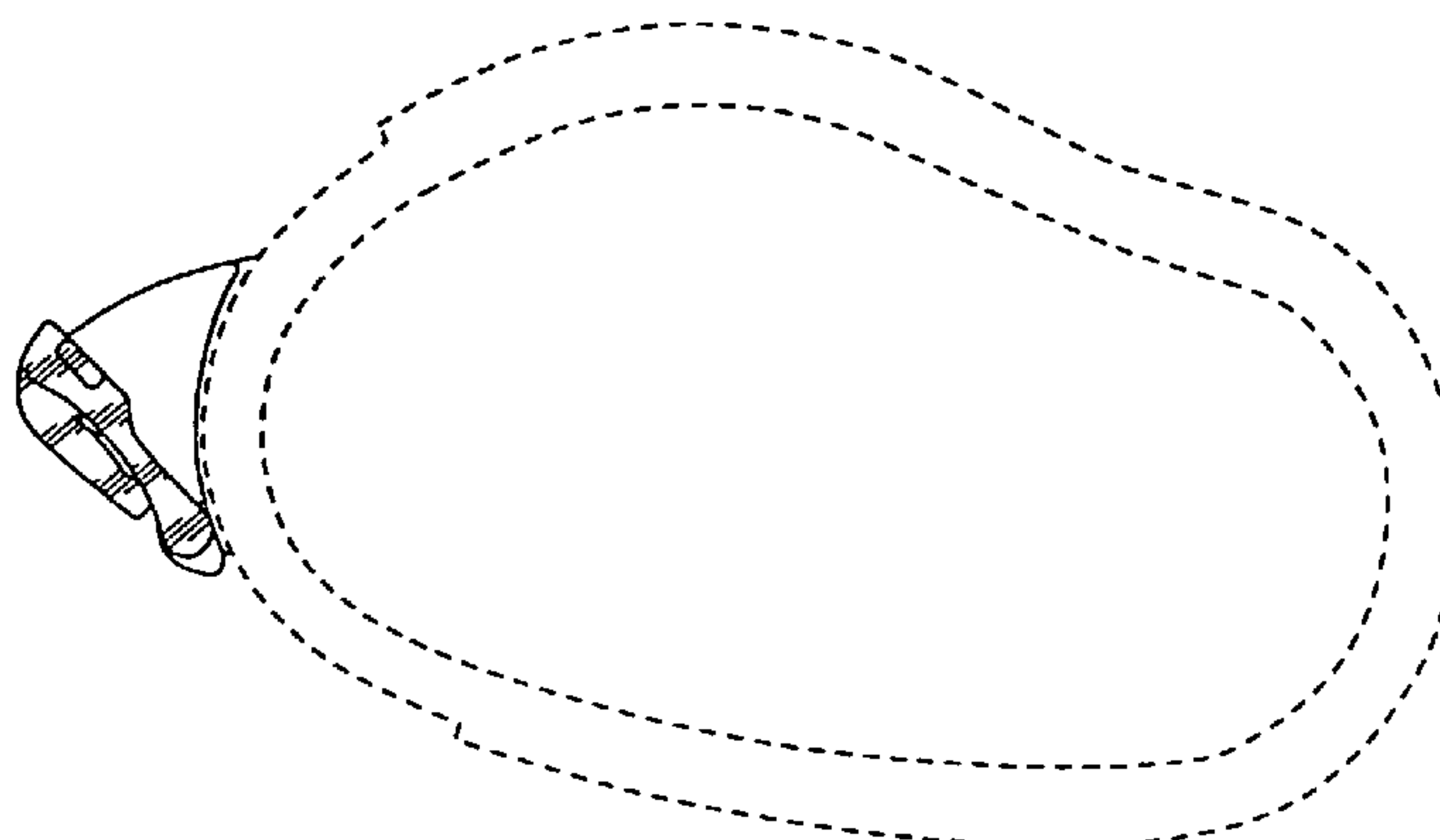
JP D1136249 1/2002  
JP D1170286 2/2003  
JP D1225132 10/2004  
JP D1227231 11/2004

*Primary Examiner*—Cathron C. Brooks

*Assistant Examiner*—Austin Murphy

(74) *Attorney, Agent, or Firm*—Scott D. Wofsy; Edwards  
Angell Palmer & Dodge LLP

**1 Claim, 17 Drawing Sheets**



# US D559,322 S

Page 2

---

## U.S. PATENT DOCUMENTS

6,599,363	B2 *	7/2003	Narita .....	118/76	2002/0104621	A1 *	8/2002	Tamai et al. ....	156/577
6,620,239	B2 *	9/2003	Yen .....	118/76	2003/0034133	A1 *	2/2003	Huthmacher .....	156/577
6,712,113	B1 *	3/2004	Peggion .....	156/577	2003/0047286	A1 *	3/2003	Narita .....	156/577
6,761,200	B2 *	7/2004	Shinya .....	156/577	2004/0154752	A1 *	8/2004	Huthmacher et al. ....	156/577
6,776,209	B1 *	8/2004	You .....	156/577	2005/0139326	A1 *	6/2005	Mitsui et al. ....	156/540

\* cited by examiner

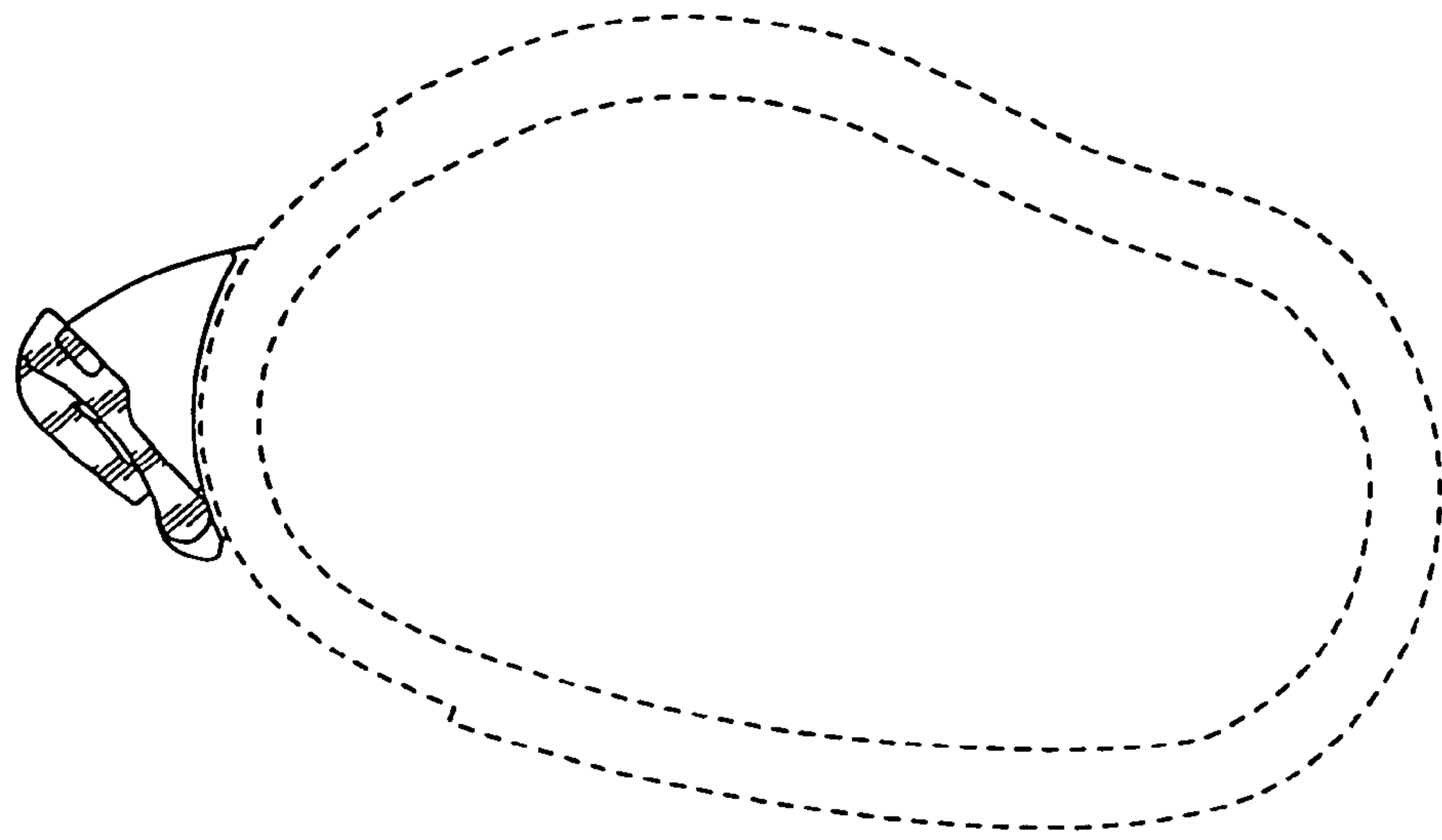


Fig. 1

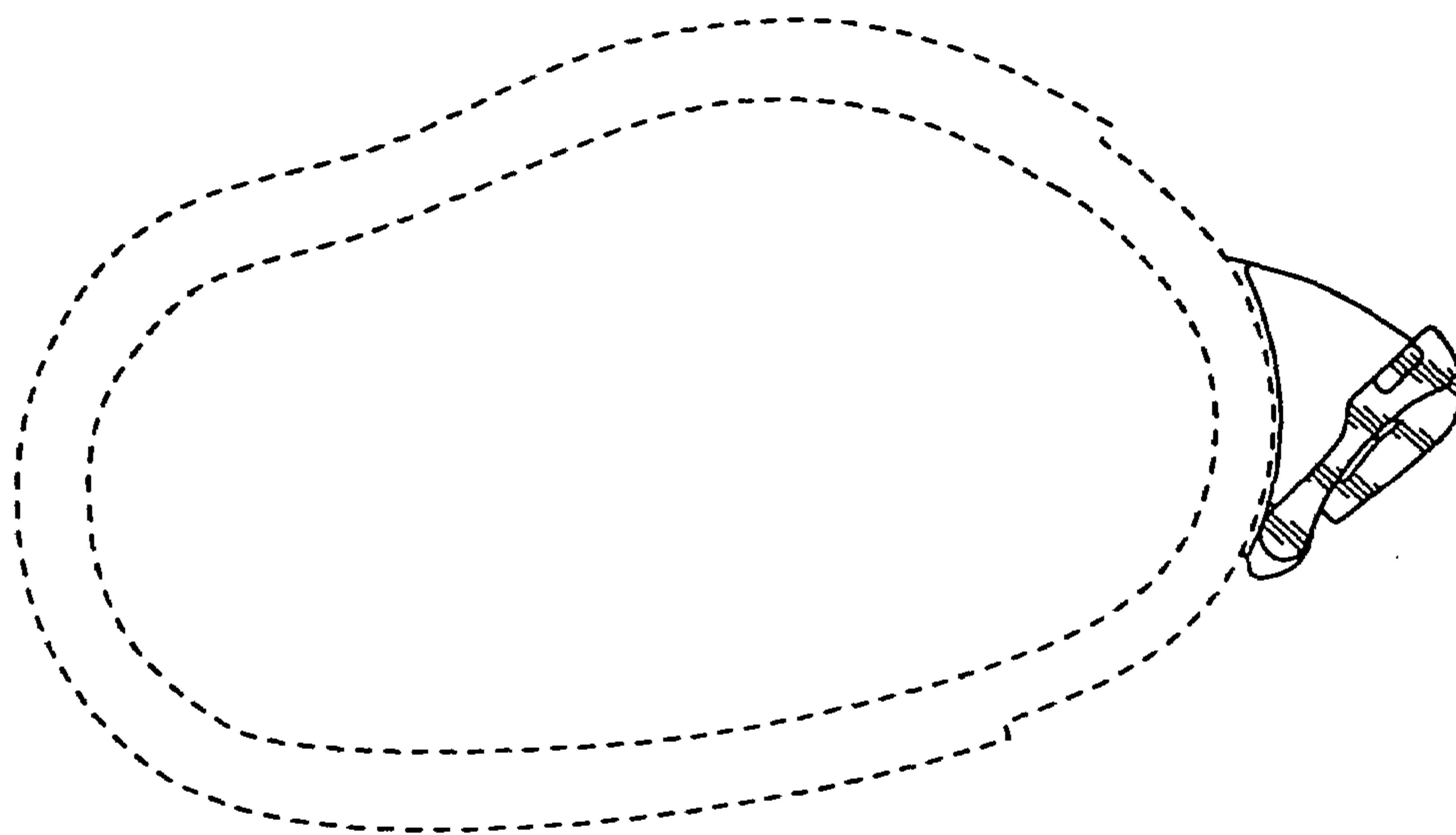


Fig. 2

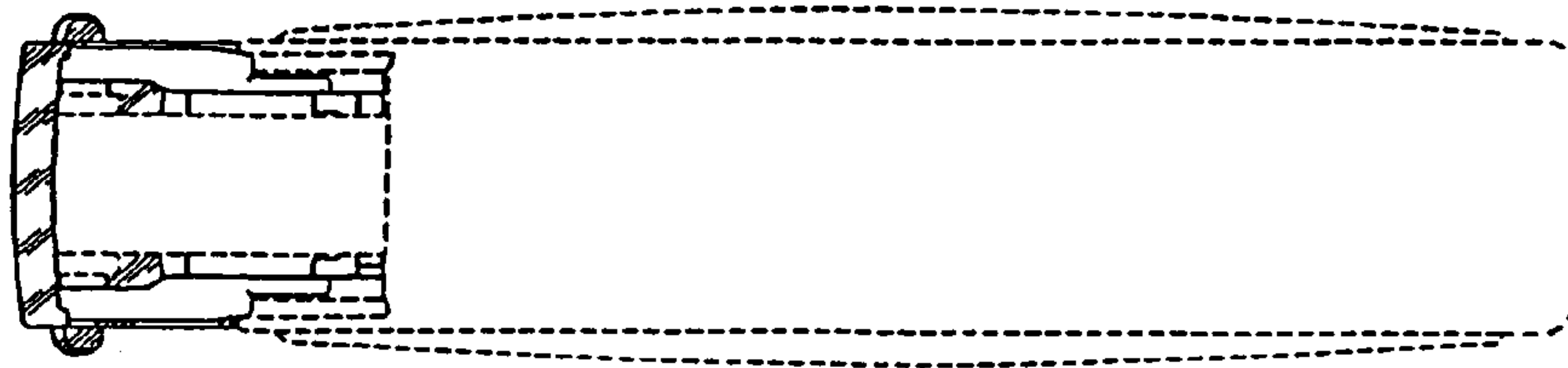


Fig. 3



Fig. 4

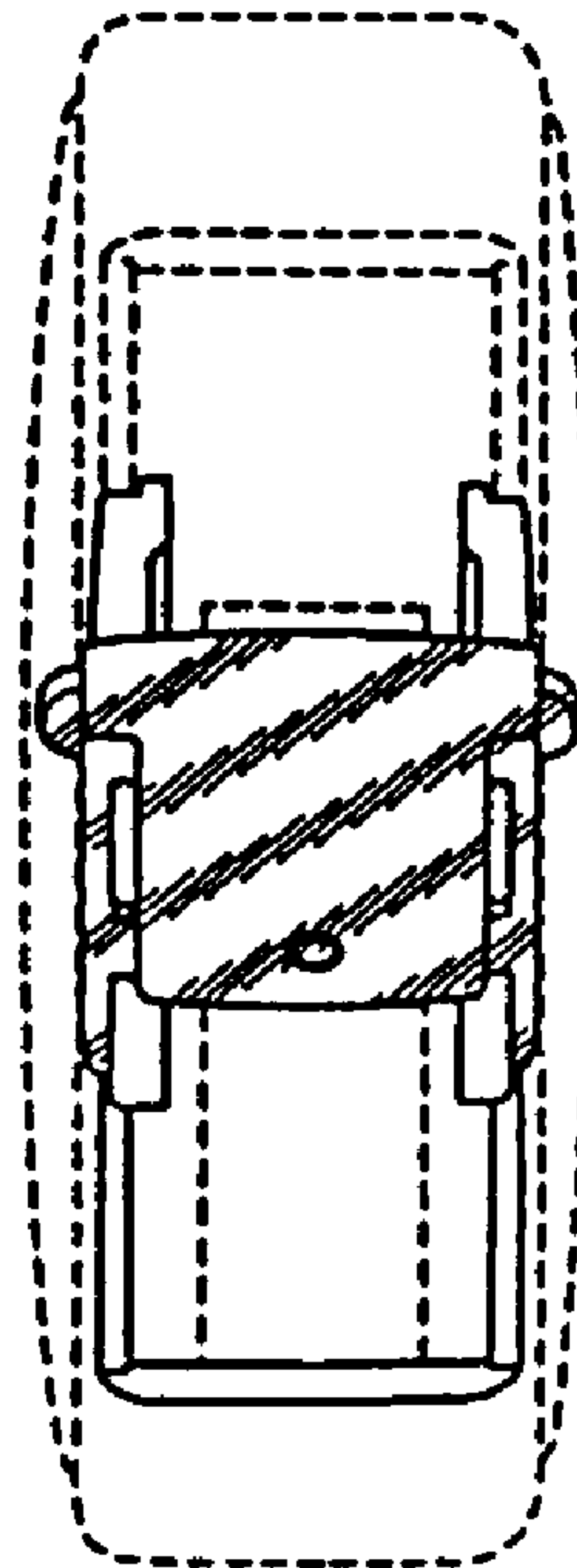


Fig. 5

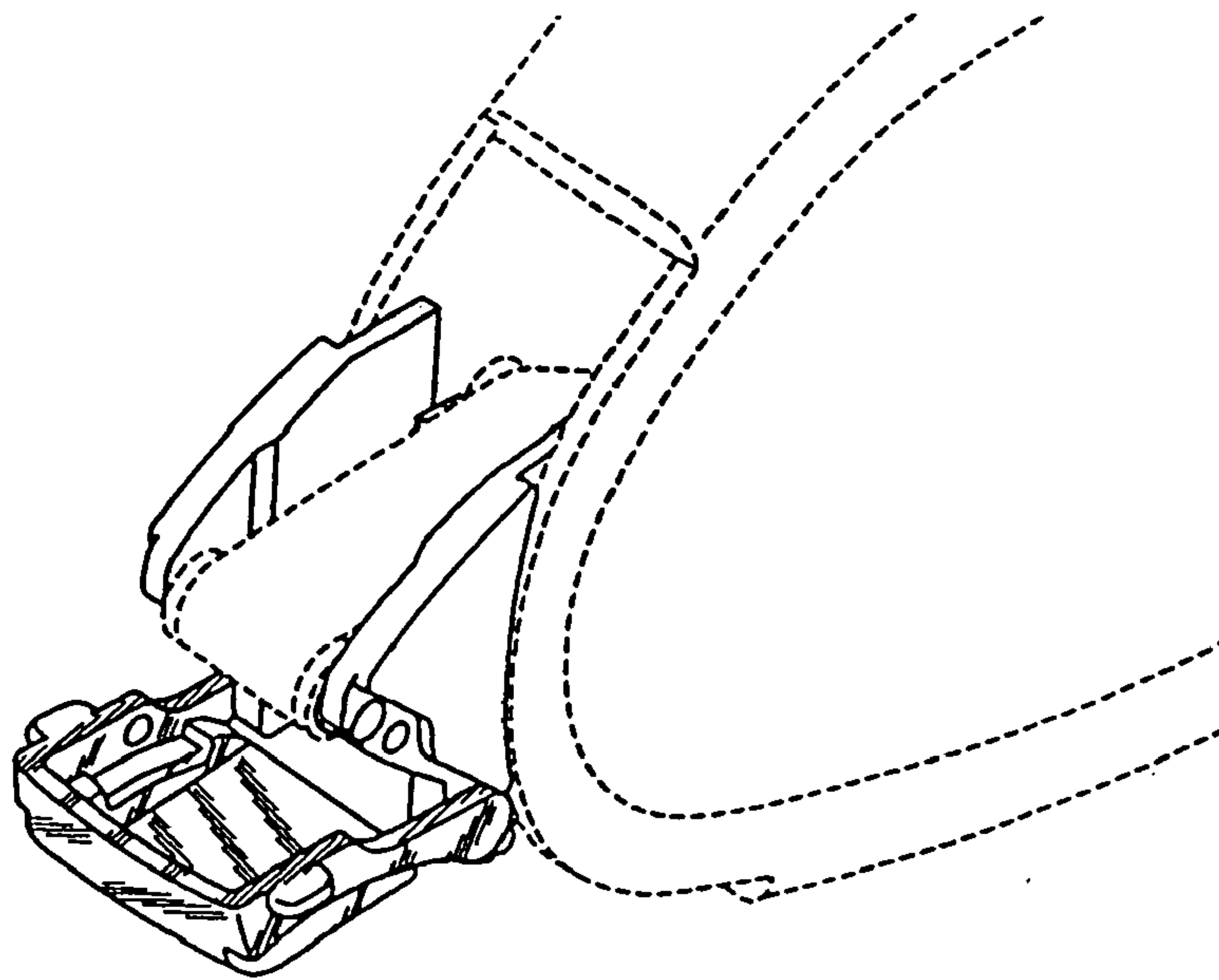


Fig. 6



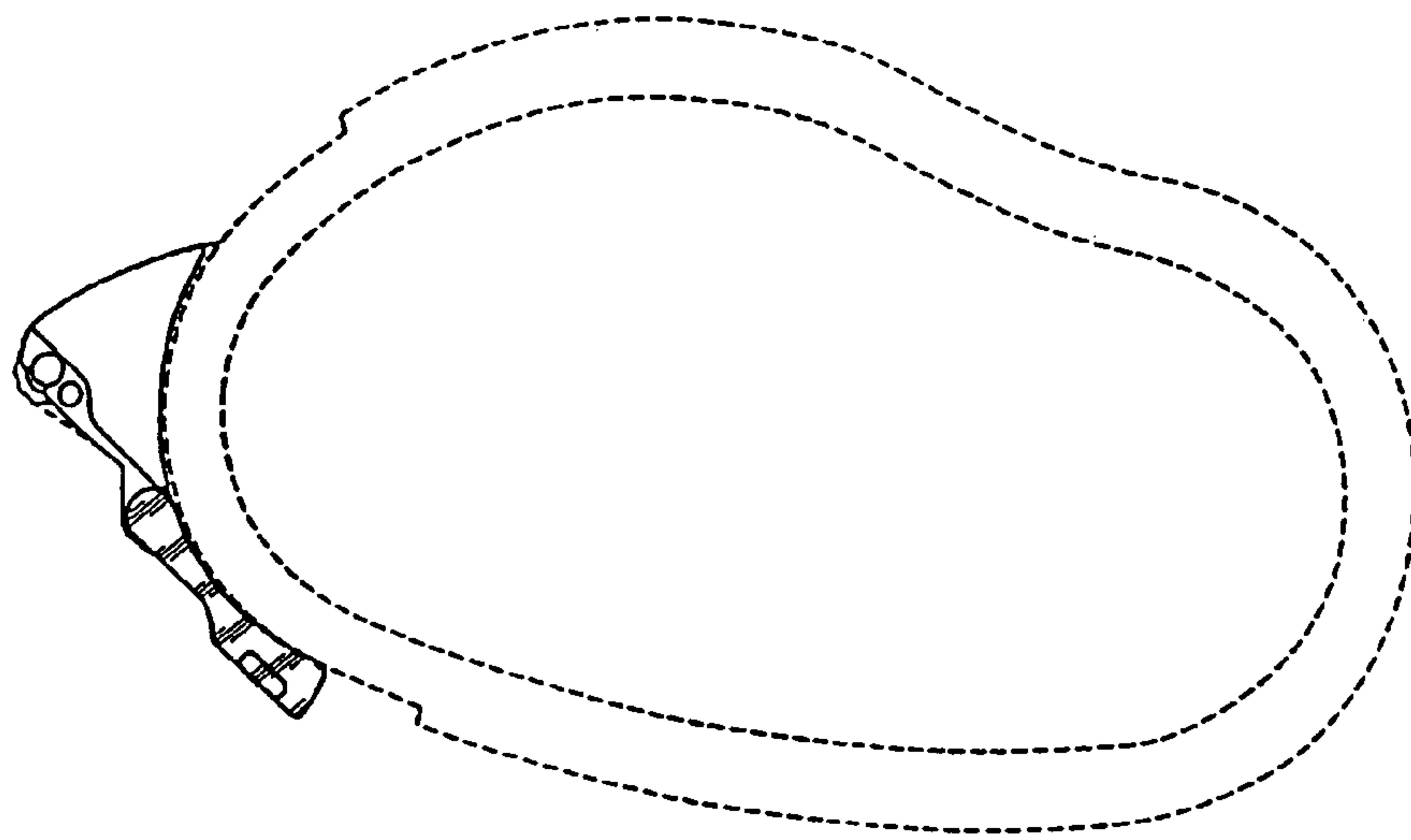


Fig. 7

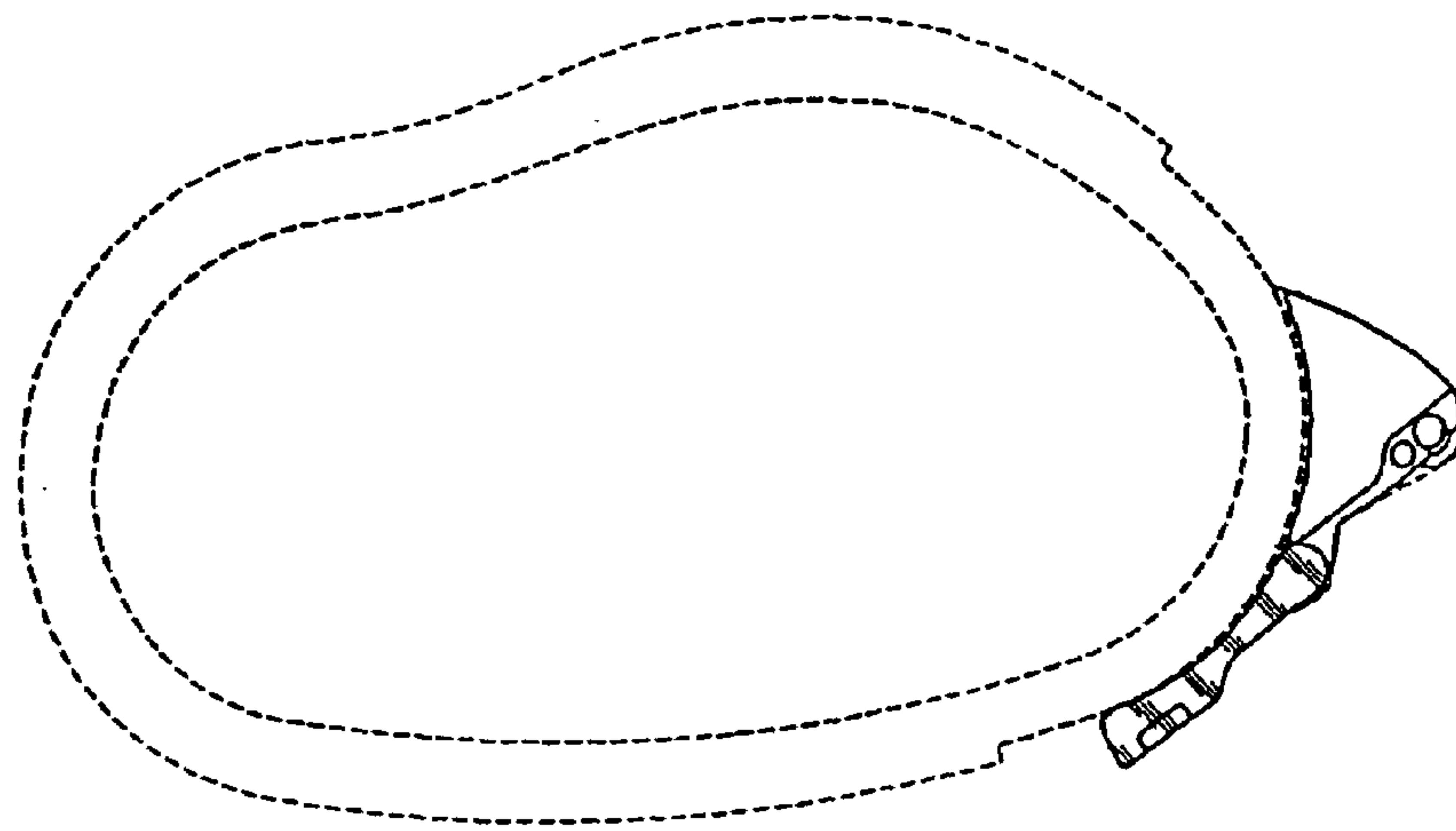


Fig. 8

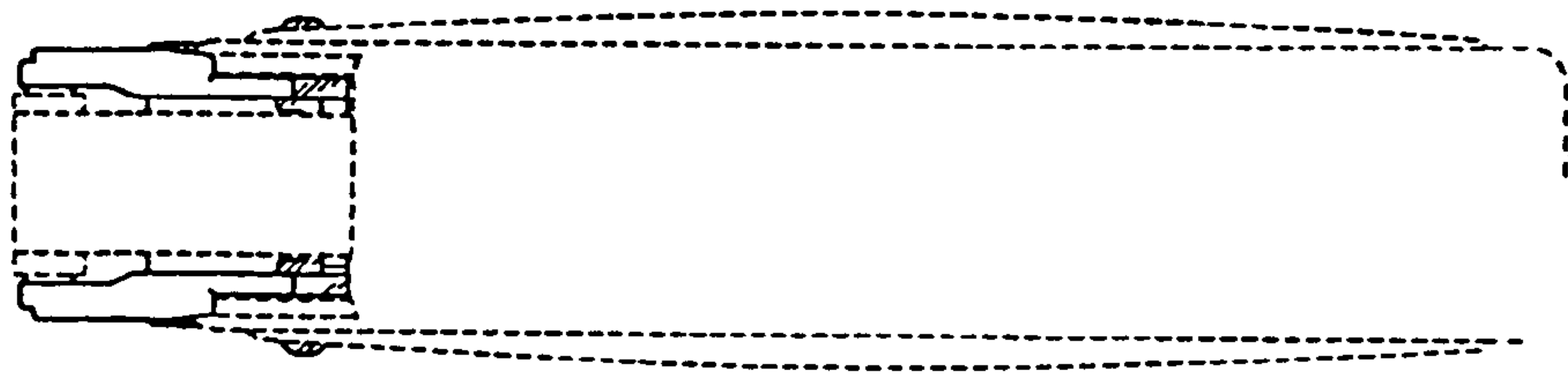


Fig. 9

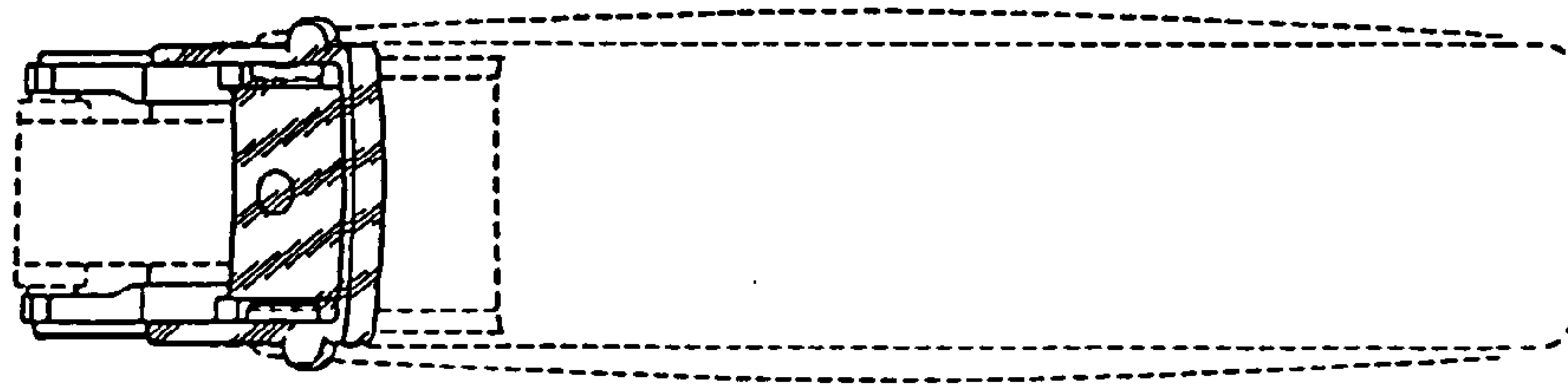


Fig. 10

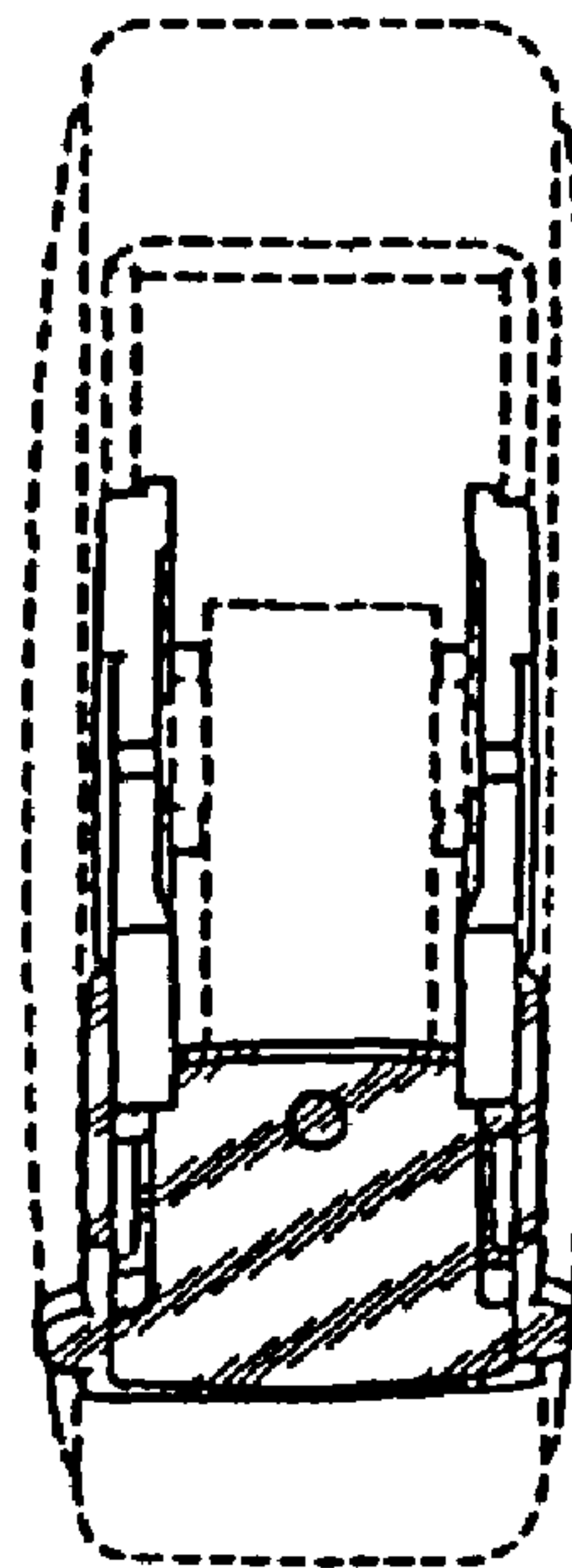


Fig. 11

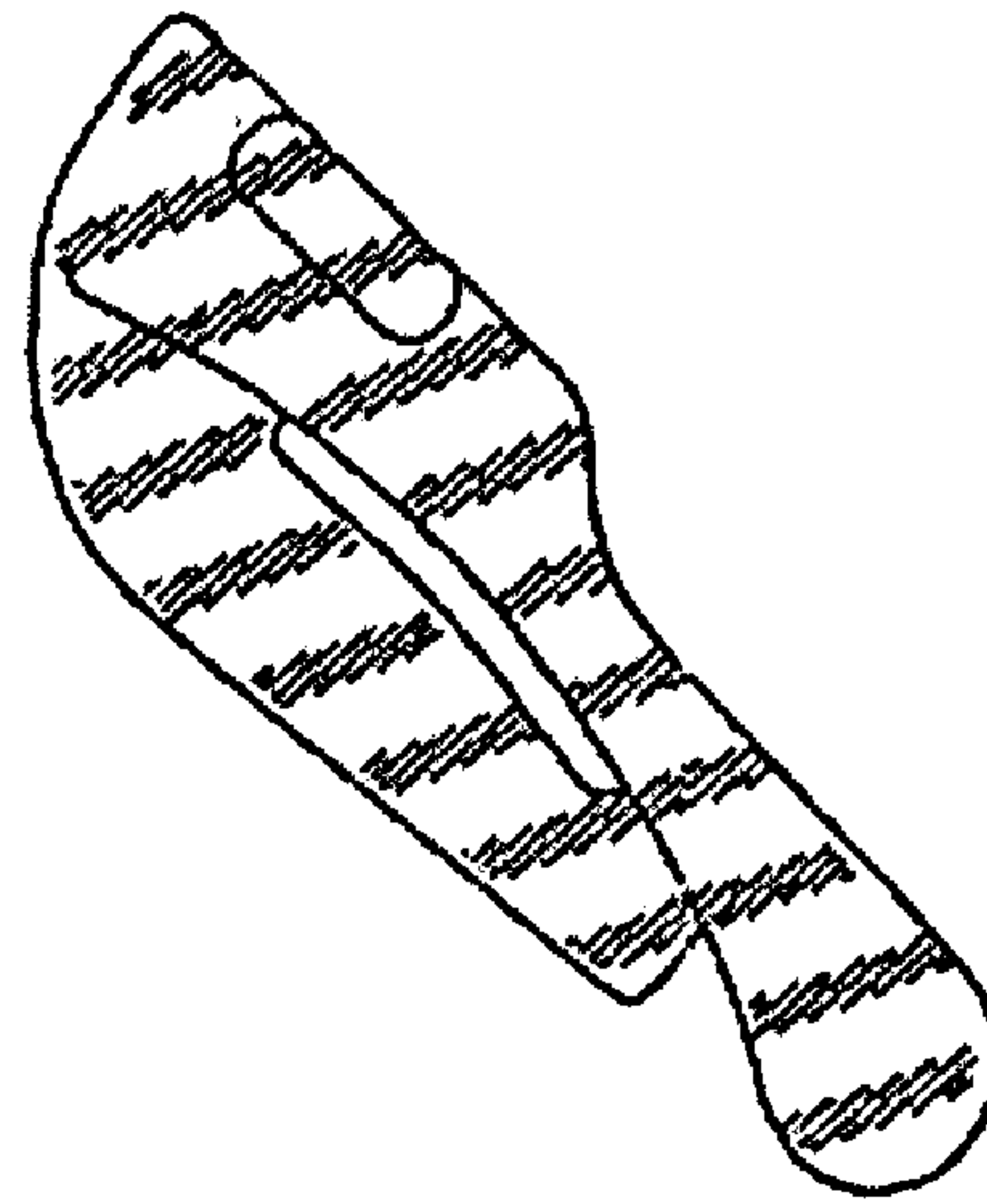


Fig. 12

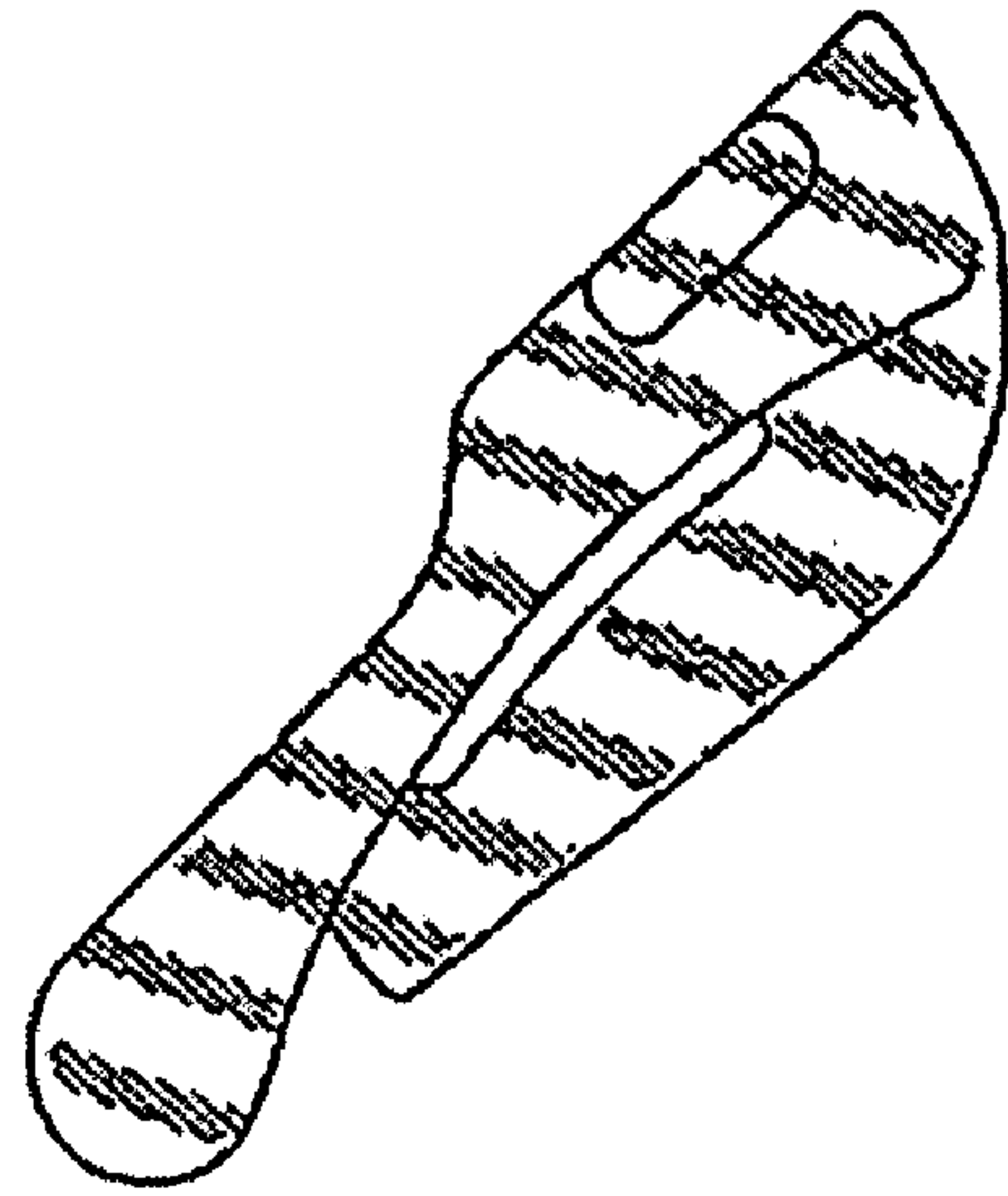


Fig. 13

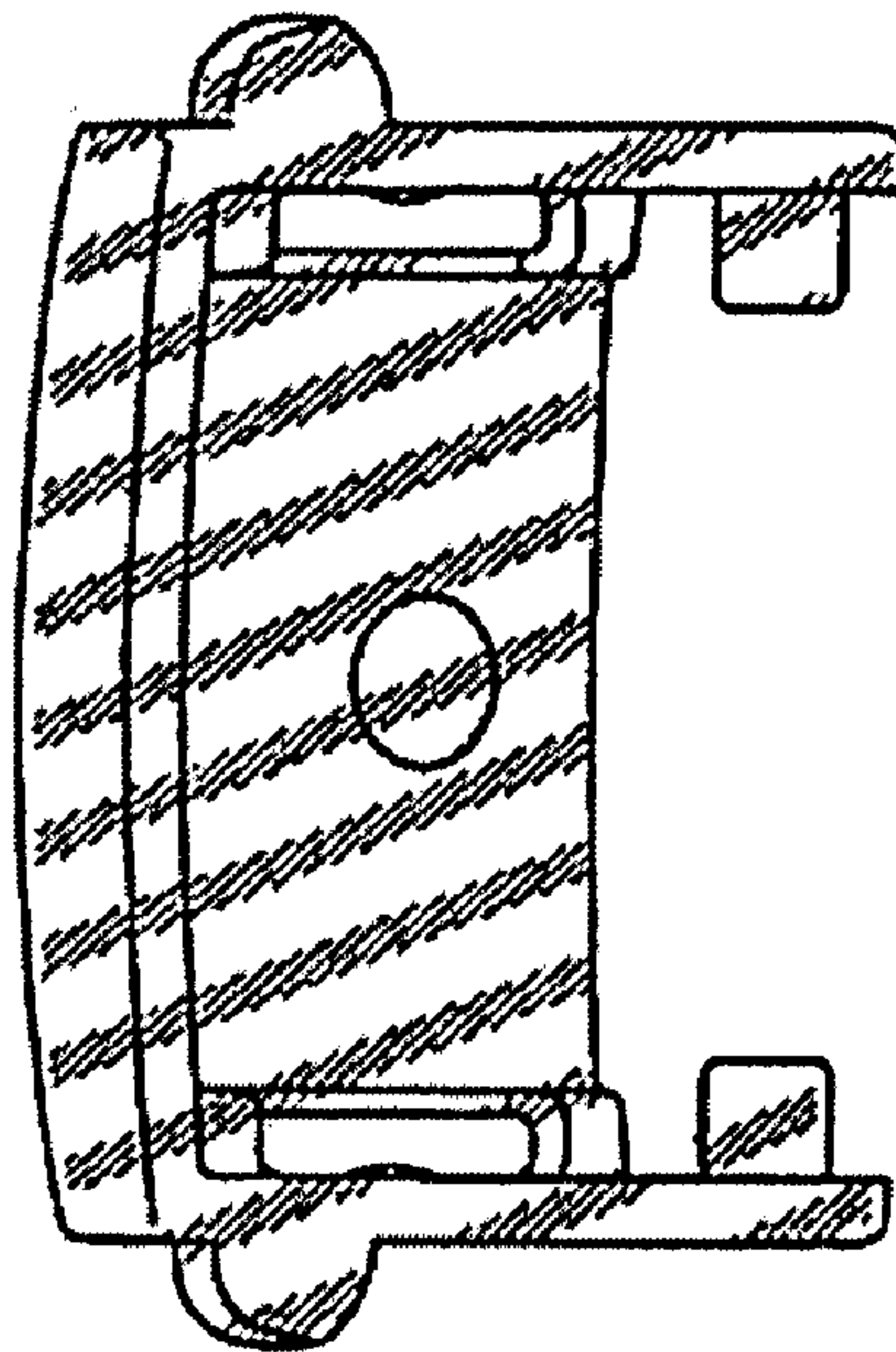


Fig. 14



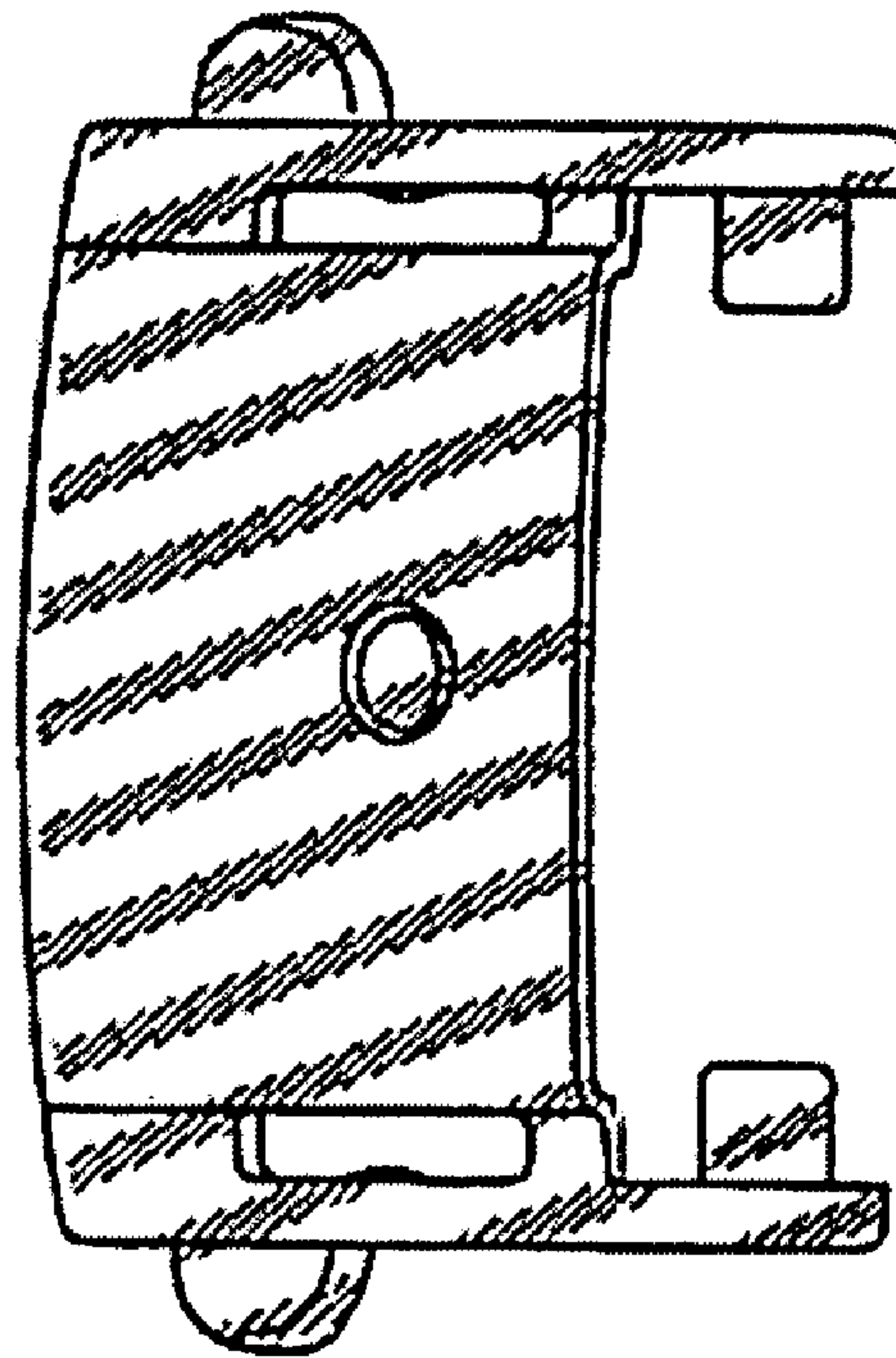


Fig. 15

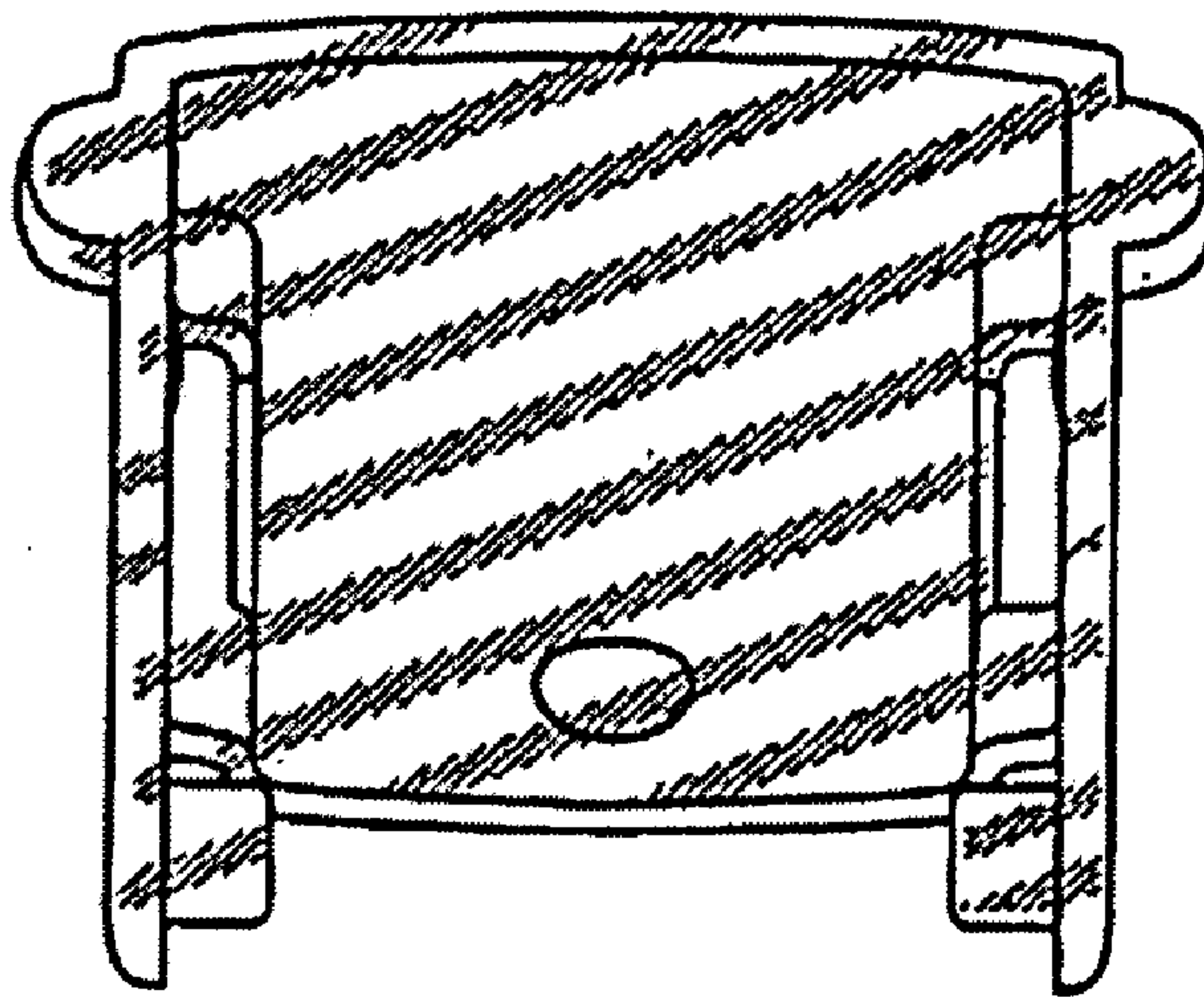


Fig. 16

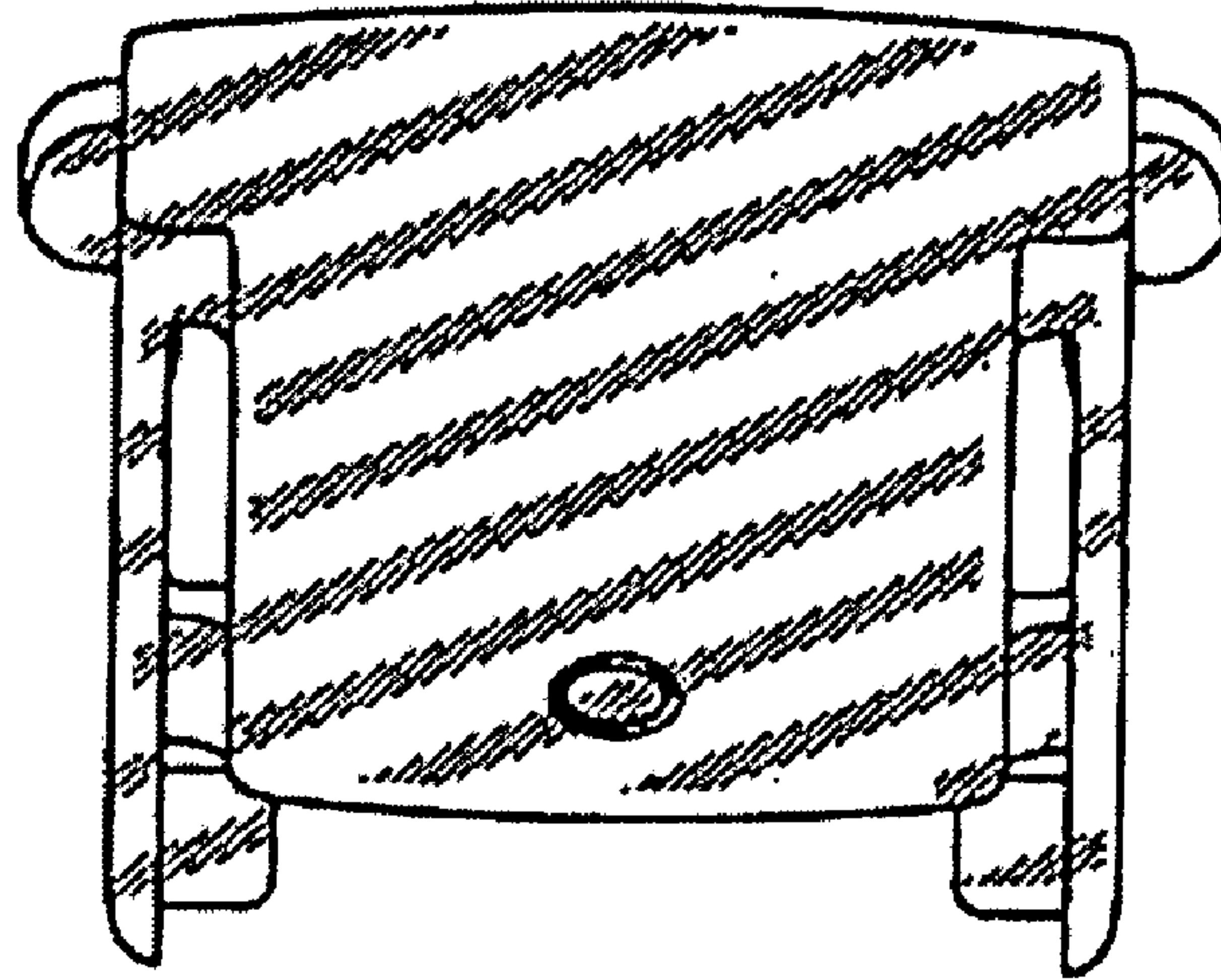


Fig. 17