



US00D559319S

(12) **United States Design Patent**
Cetera

(10) **Patent No.:** **US D559,319 S**
(45) **Date of Patent:** **** Jan. 8, 2008**

(54) **PEN GRIP**

(75) Inventor: **Carl Cetera**, Tenafly, NJ (US)

(73) Assignee: **Cotapaxi Custom Design and Manufacturing, LLC**, Carlstadt, NJ (US)

(**) Term: **14 Years**

(21) Appl. No.: **29/280,774**

(22) Filed: **Jun. 6, 2007**

Related U.S. Application Data

(62) Division of application No. 29/280,285, filed on May 23, 2007.

(51) **LOC (8) Cl.** **19-06**

(52) **U.S. Cl.** **D19/55**

(58) **Field of Classification Search** D19/35, D19/36, 41-51, 53-57; 24/11 R, 11 F, 11 P; 401/52, 99, 100, 104, 105, 106, 107, 108, 401/109, 192, 195, 196

See application file for complete search history.

(56) **References Cited**

U.S. PATENT DOCUMENTS

D117,839 S * 11/1939 Zoll D19/49
D216,282 S * 12/1969 Danjczek D19/49
D257,857 S * 1/1981 Leuenberger et al. D19/49

D357,698 S * 4/1995 Hepler D19/36
6,367,113 B1 * 4/2002 Usui 15/176.2
6,390,818 B2 * 5/2002 Ferranti 433/141
D482,396 S * 11/2003 De Bon D19/43
7,179,004 B2 * 2/2007 Cetera 401/131

* cited by examiner

Primary Examiner—Elizabeth A. Albert
(74) *Attorney, Agent, or Firm*—The Soni Law Firm

(57) **CLAIM**

The ornamental design for a pen grip, as shown and described.

DESCRIPTION

FIG. 1 is a front bottom side perspective view of the pen grip showing my new design;

FIG. 2 is a front elevational view thereof;

FIG. 3 is a right side elevational view thereof which is a mirror image of the left side thereof;

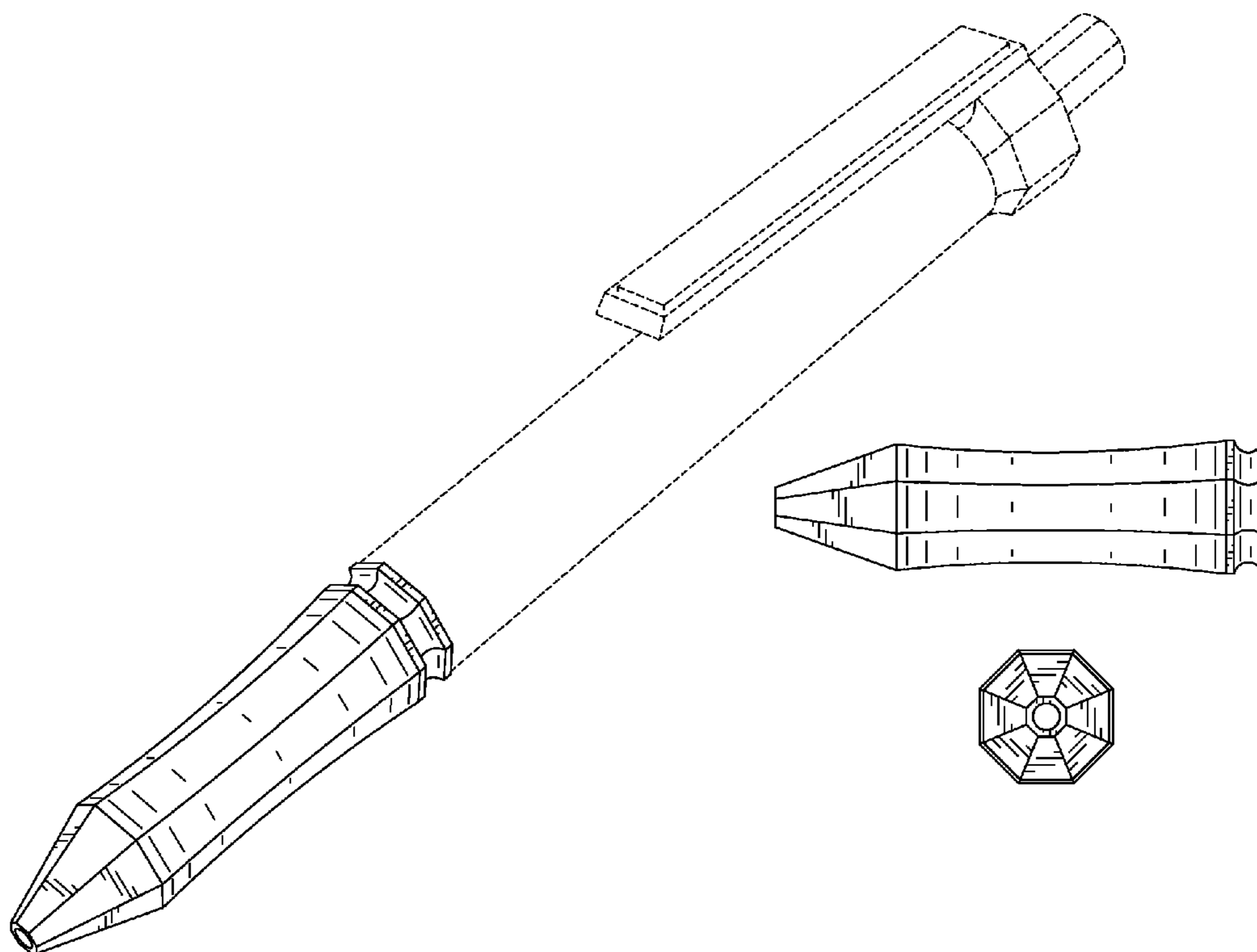
FIG. 4 is a bottom plan view thereof;

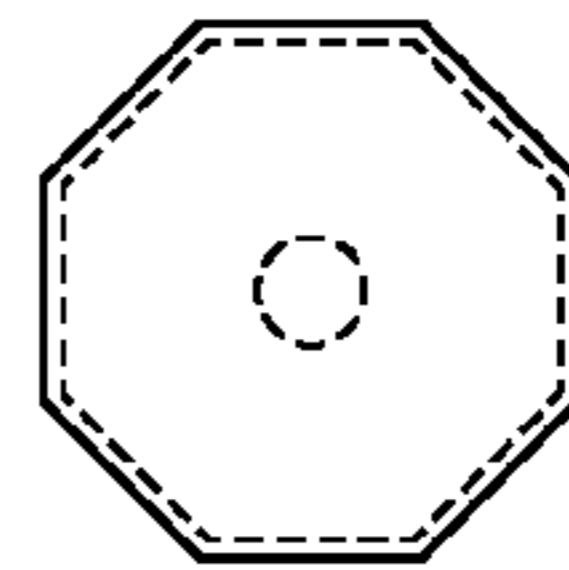
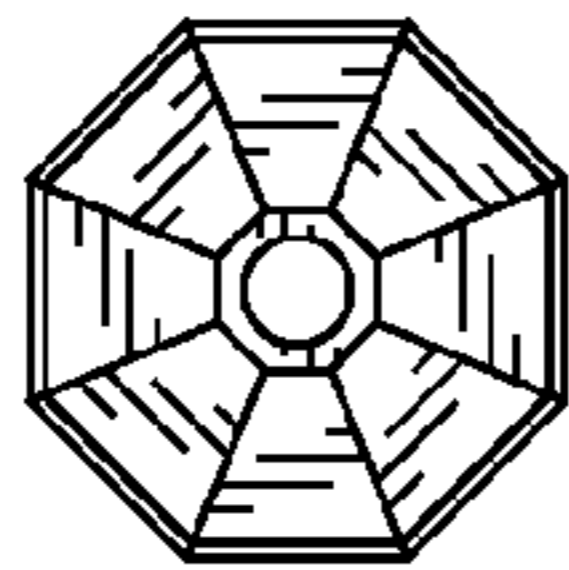
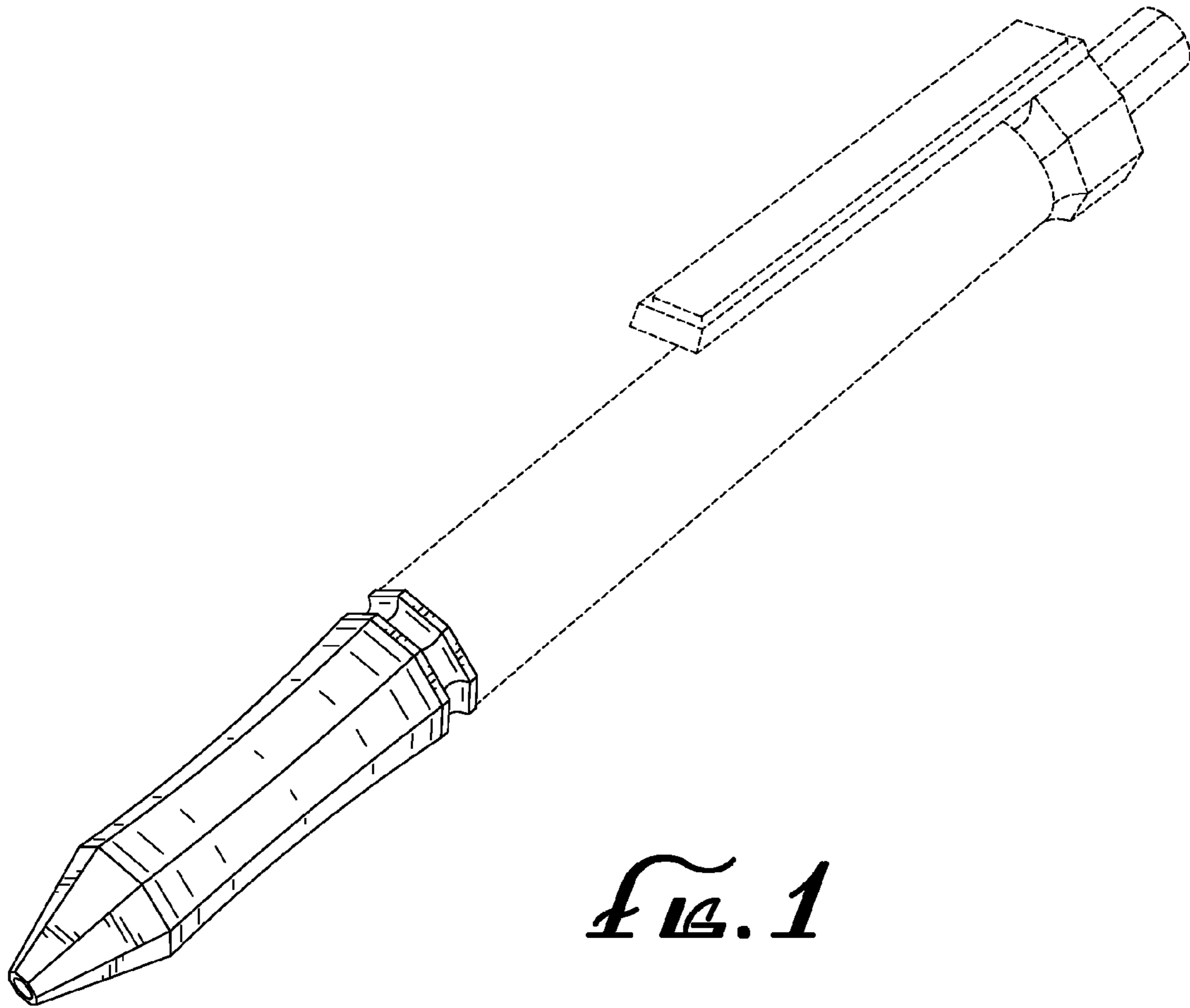
FIG. 5 is a top plan view thereof; and,

FIG. 6 is a back elevational view thereof.

The broken lines depicting environmental structure are for illustrative purposes only and form no part of the claimed design.

1 Claim, 2 Drawing Sheets





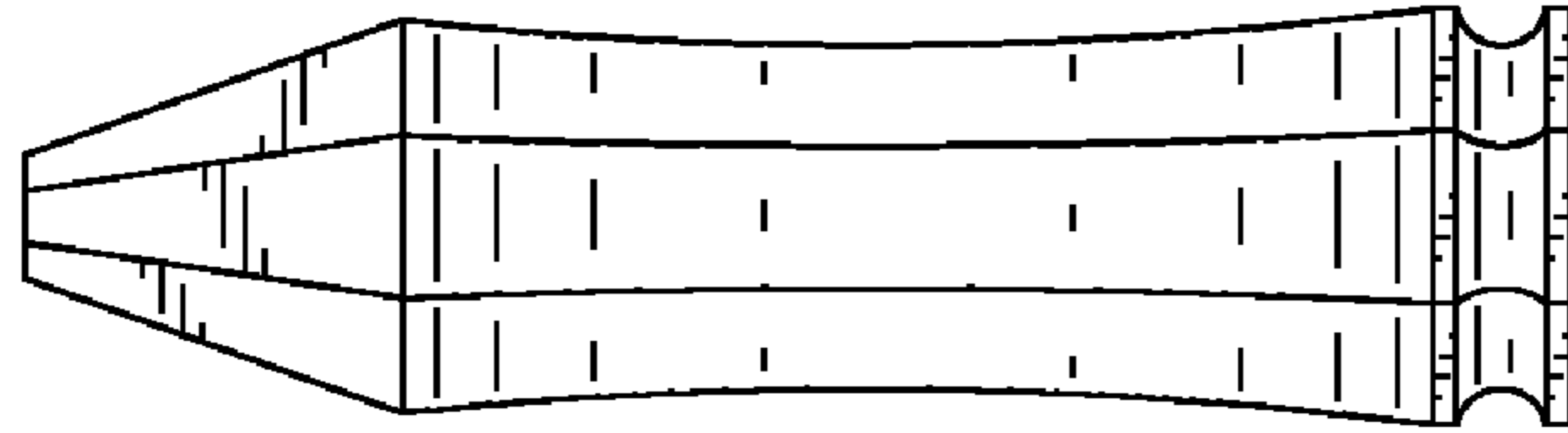


FIG. 2

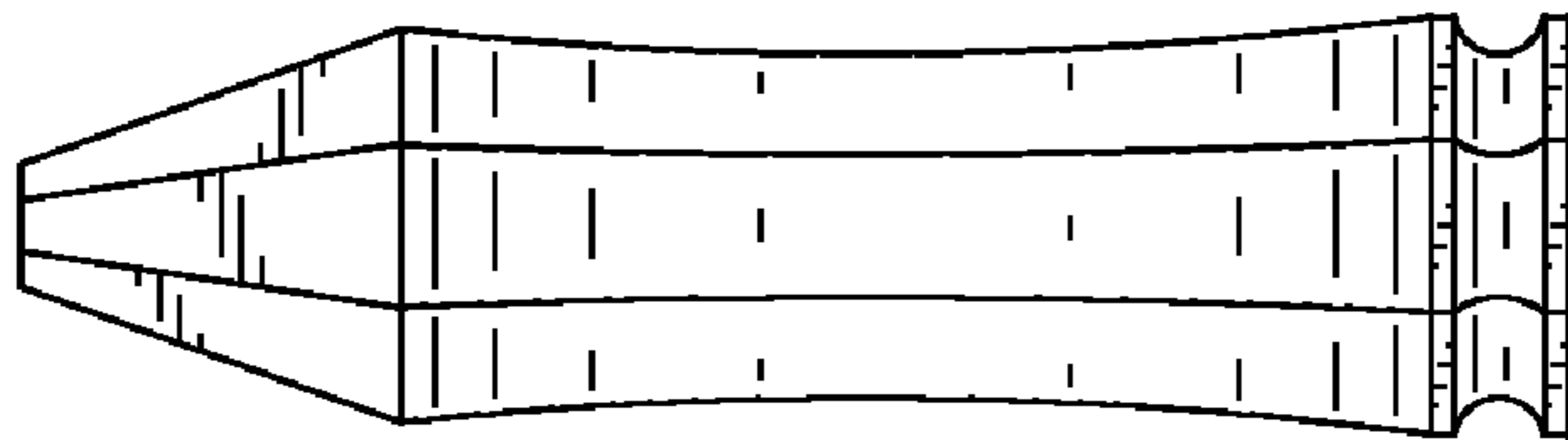


FIG. 3

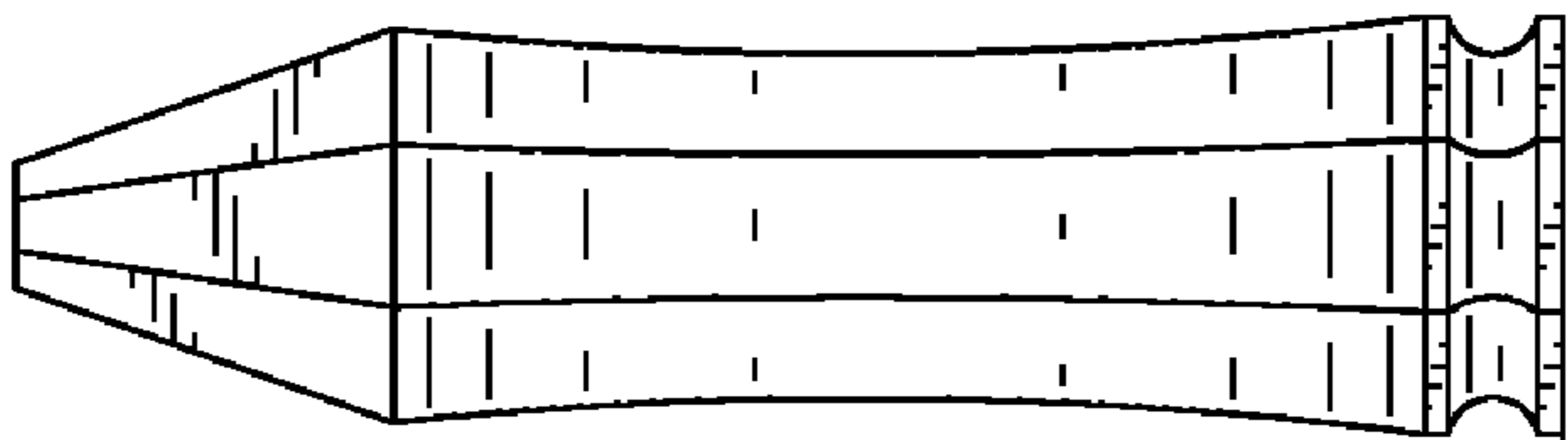


FIG. 4