



US00D559312S

(12) **United States Design Patent**
Yagyu

(10) **Patent No.:** **US D559,312 S**

(45) **Date of Patent:** **** Jan. 8, 2008**

(54) **MARKING PEN**

(75) Inventor: **Kumiko Yagyu**, Tokyo (JP)

(73) Assignee: **Kabushiki Kaisha Pilot Corporation**,
Tokyo (JP)

(**) Term: **14 Years**

(21) Appl. No.: **29/266,689**

(22) Filed: **Sep. 27, 2006**

(30) **Foreign Application Priority Data**

Mar. 28, 2006 (JP) 2006-007630

(51) **LOC (8) Cl.** **19-06**

(52) **U.S. Cl.** **D19/43**

(58) **Field of Classification Search** D19/35,
D19/36, 41-51, 53-57; 24/11 R, 11 F, 11 P;
401/52, 99, 100, 104, 105, 106, 107, 108,
401/109, 192, 195, 196, 198, 202

See application file for complete search history.

(56) **References Cited**

U.S. PATENT DOCUMENTS

- D120,734 S * 5/1940 Kahn D9/429
- D205,330 S * 7/1966 Capezzuto D19/43
- 3,369,543 A * 2/1968 Ronco 604/2
- 3,776,673 A * 12/1973 DeGroft 425/125
- D280,422 S * 9/1985 Booker et al. D19/51
- D287,373 S * 12/1986 Regnault D19/43
- D289,088 S * 3/1987 Jankewitz D28/7
- 4,872,777 A * 10/1989 Dalbke 401/199
- D306,355 S * 2/1990 Shinohara D28/7
- D429,847 S * 8/2000 Lang D28/7
- 6,247,865 B1 * 6/2001 Russell et al. 401/202
- 6,565,275 B2 * 5/2003 Brand et al. 401/52
- 6,626,600 B1 * 9/2003 Brand et al. 401/202
- D493,832 S * 8/2004 Hung D19/43
- D497,641 S * 10/2004 Tsuchikura D19/43
- D545,895 S * 7/2007 Okutani D19/36

- D545,899 S * 7/2007 Okutani D19/43
- D547,801 S * 7/2007 Oka D19/43

* cited by examiner

Primary Examiner—Elizabeth A. Albert

(74) *Attorney, Agent, or Firm*—Sughrue Mion, Pllc.

(57) **CLAIM**

The ornamental design for a marking pen, as shown and described.

DESCRIPTION

FIG. 1 is a perspective view of the top, front and left side of a marking pen showing my new design;

FIG. 2 is a front elevational view thereof, the rear elevational view being a mirror image thereof;

FIG. 3 is a top plan view thereof;

FIG. 4 is a bottom plan view thereof;

FIG. 5 is a left side elevational view thereof;

FIG. 6 is a right side elevational view thereof;

FIG. 7 is a front elevational view of the body of the marking pen, shown without the cap for convenience of illustration, the rear elevational view being a mirror image thereof;

FIG. 8 is a top plan view thereof;

FIG. 9 is a bottom plan view thereof;

FIG. 10 is a left side elevational view thereof;

FIG. 11 is a right side elevational view thereof;

FIG. 12 is a front elevational view of the cap of the marking pen, shown without the body for convenience of illustration, the rear elevational view being a mirror image thereof;

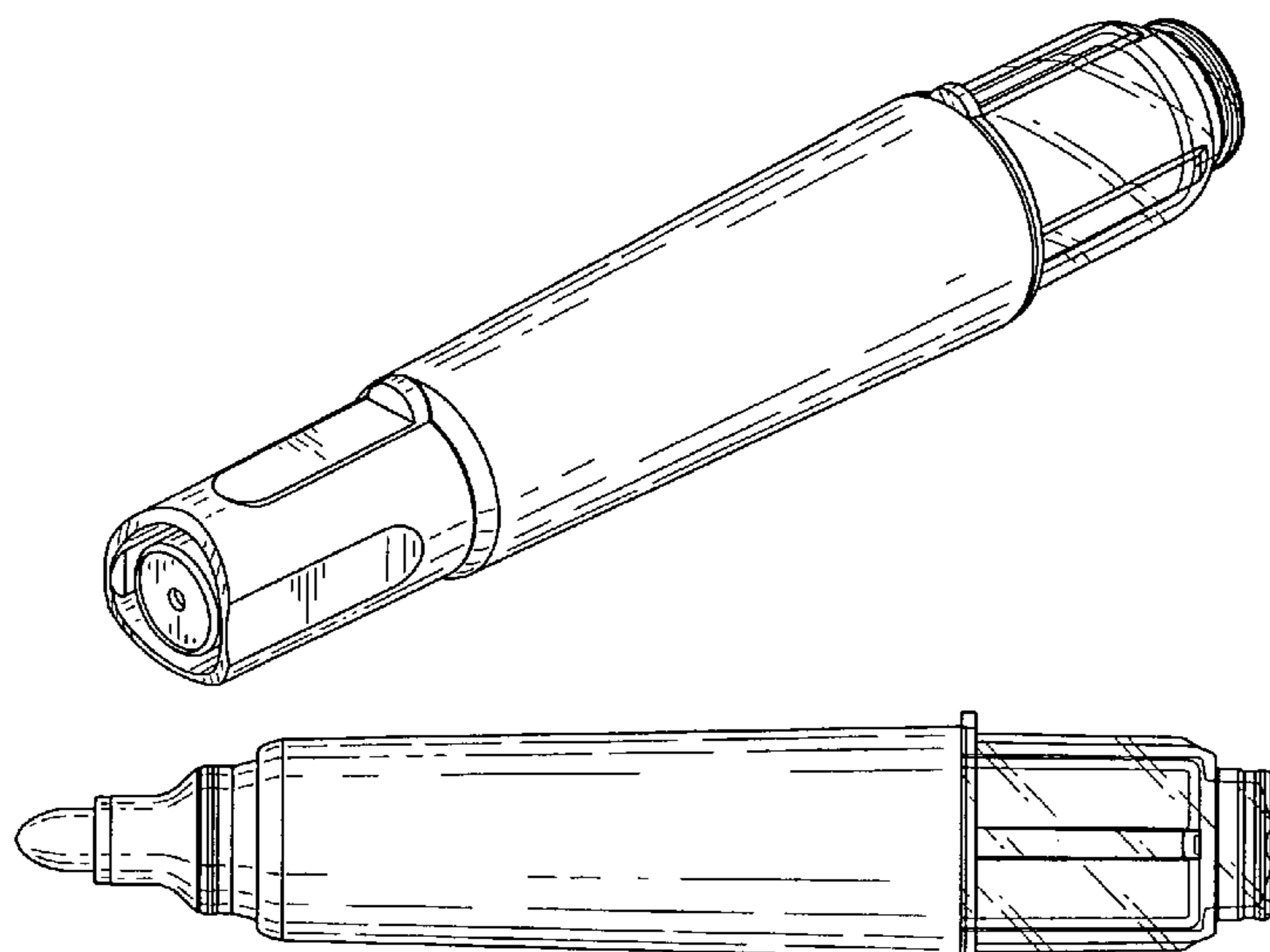
FIG. 13 is a top plan view thereof;

FIG. 14 is a bottom plan view thereof;

FIG. 15 is a left side elevational view thereof; and,

FIG. 16 is a right side elevational view thereof.

1 Claim, 4 Drawing Sheets



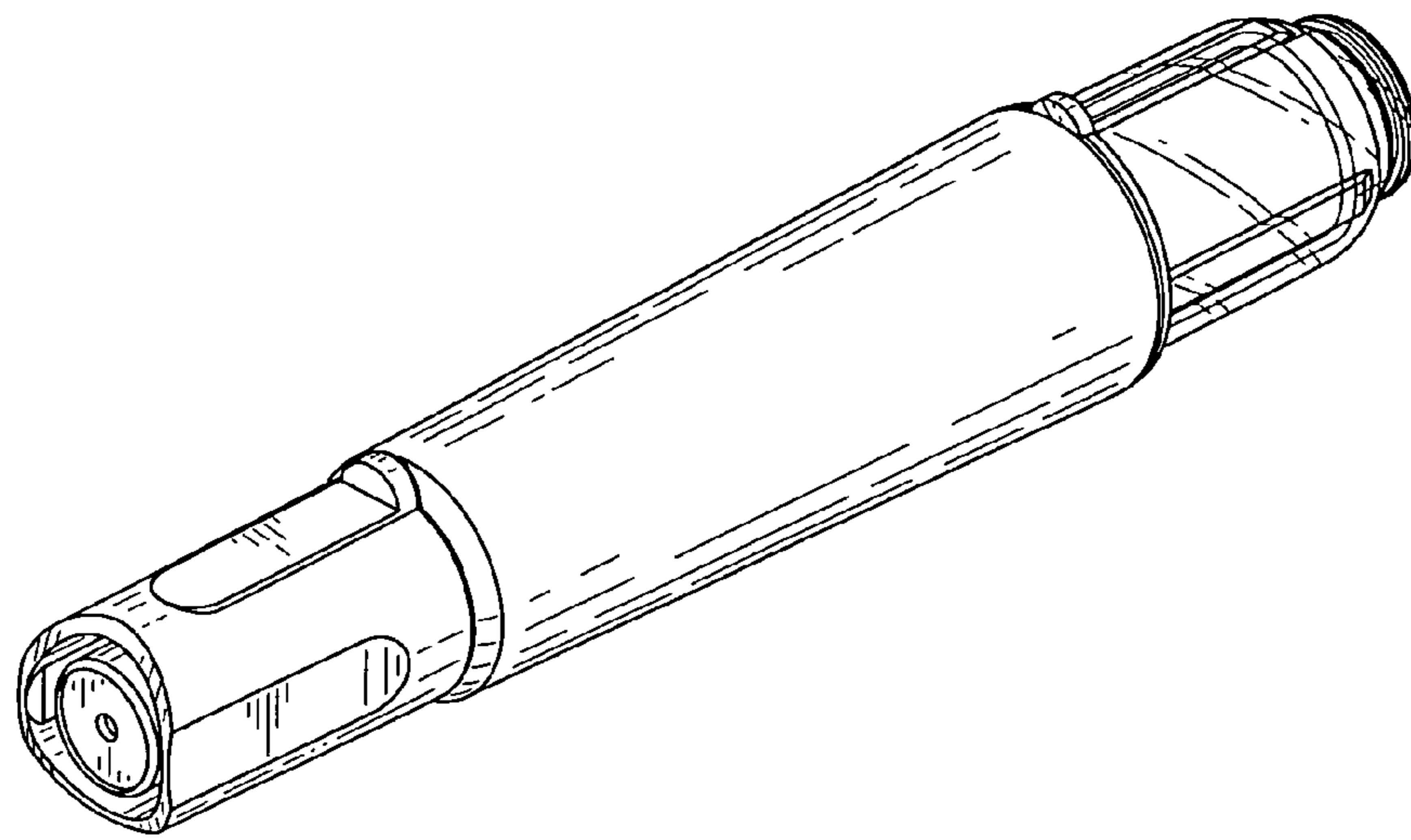


FIG. 1

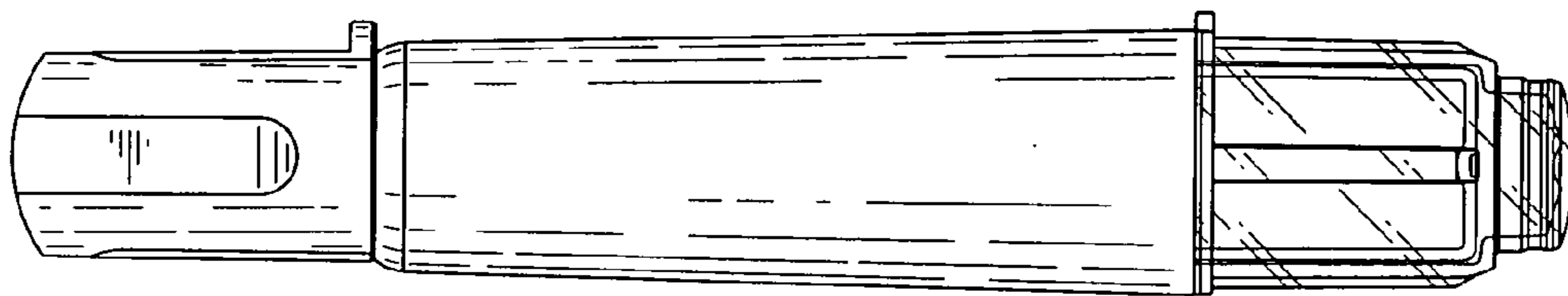


FIG. 2

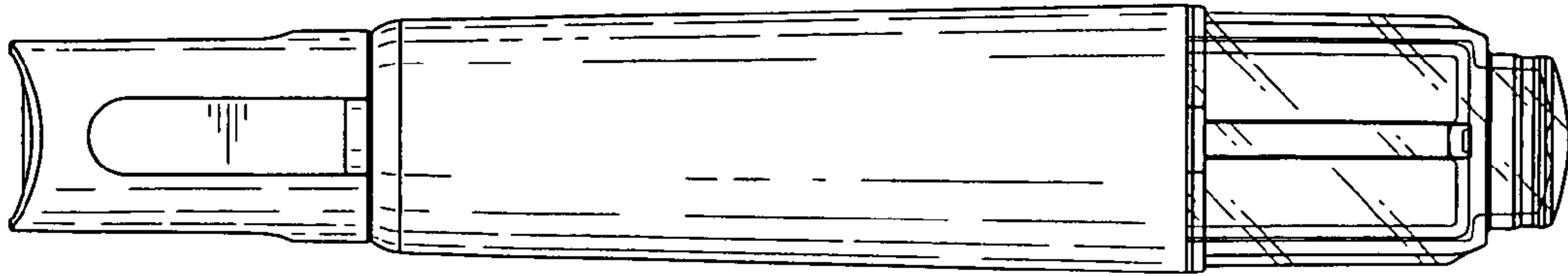


FIG. 3

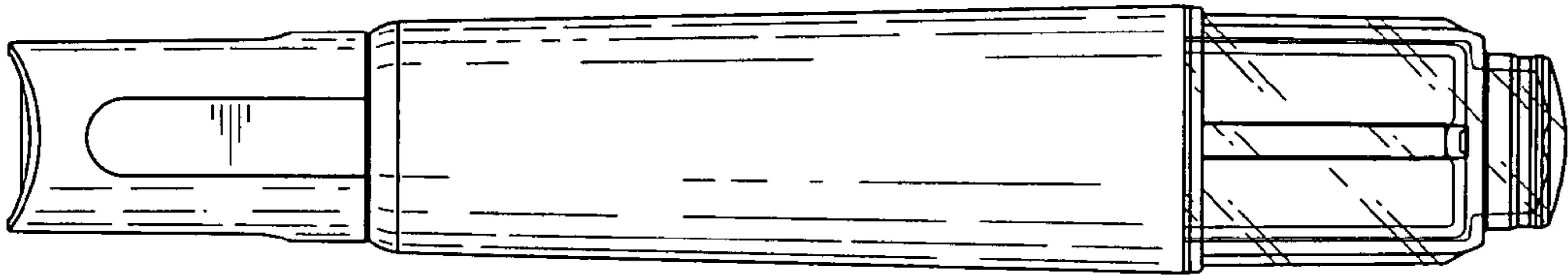


FIG. 4

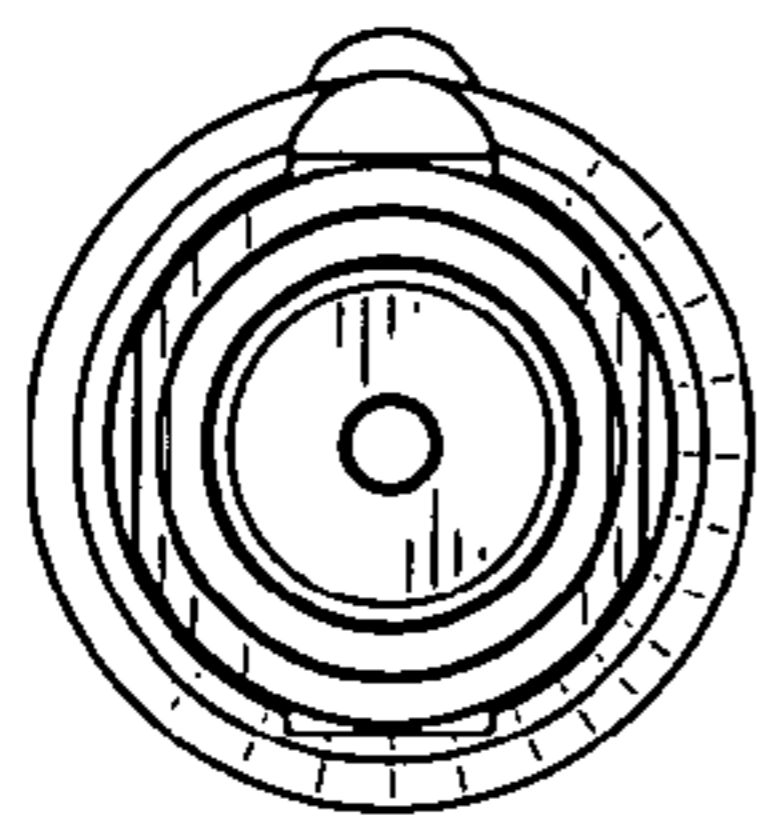


FIG. 5

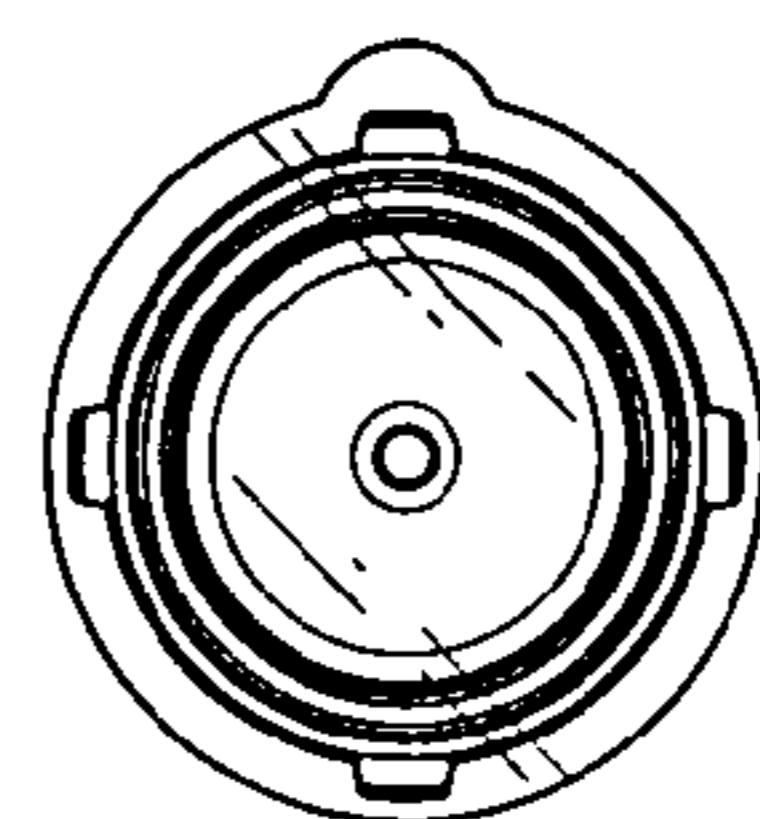


FIG. 6

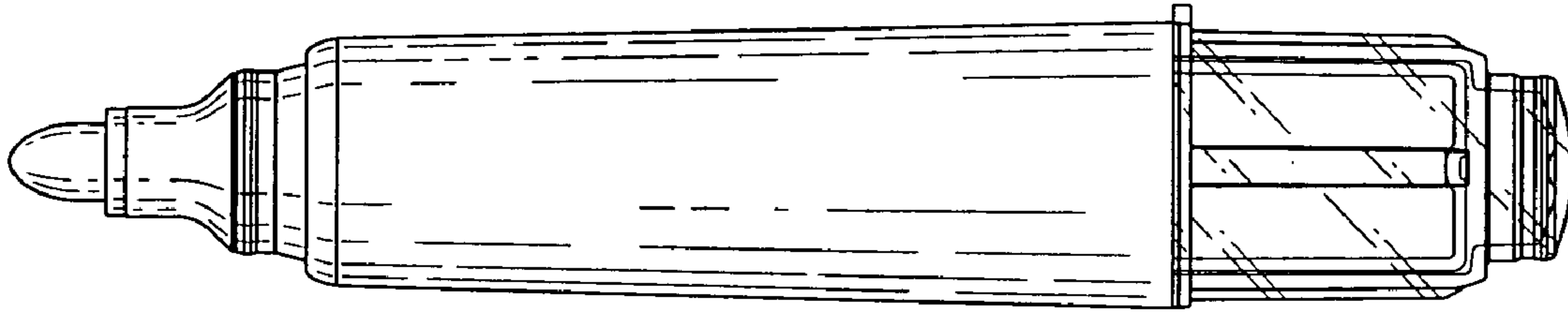


FIG. 7

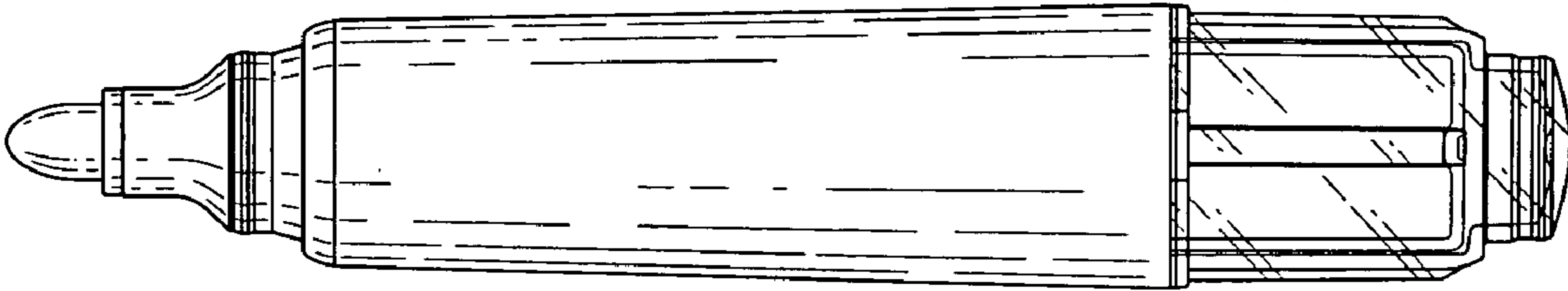


FIG. 8

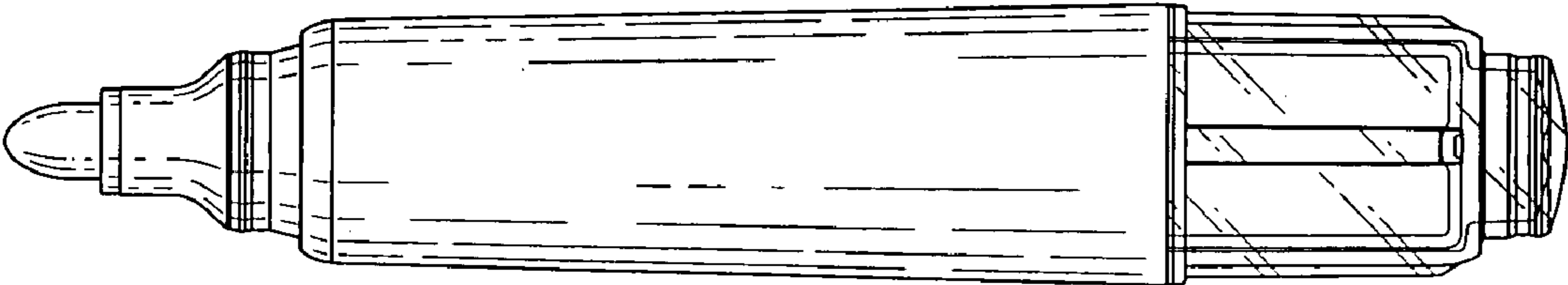


FIG. 9

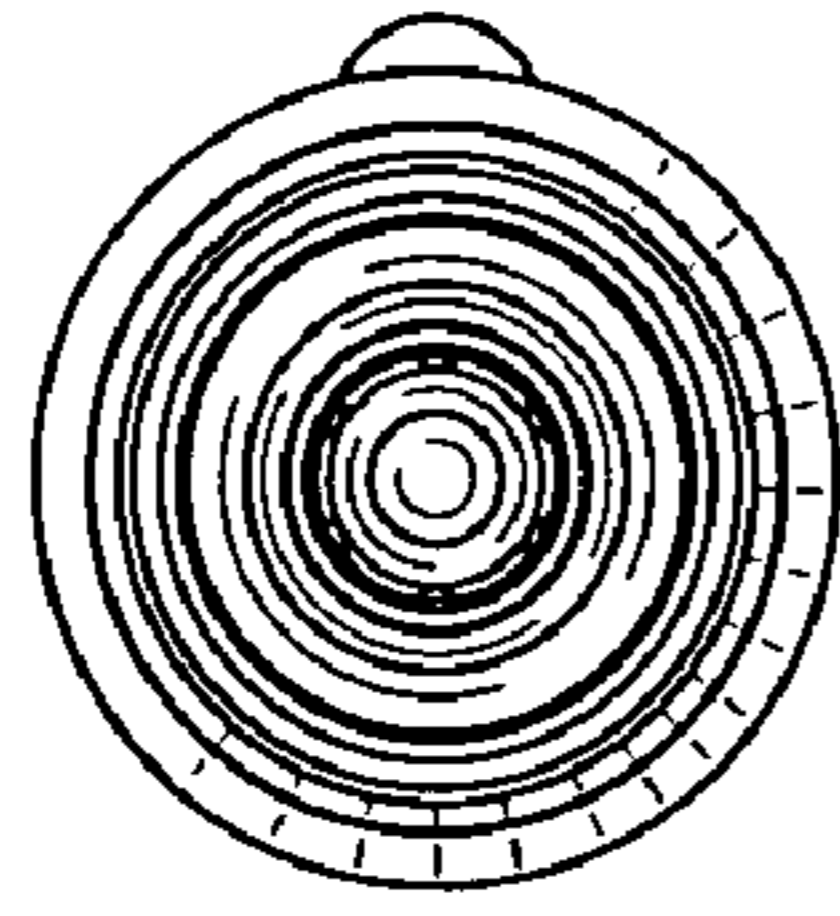


FIG. 10

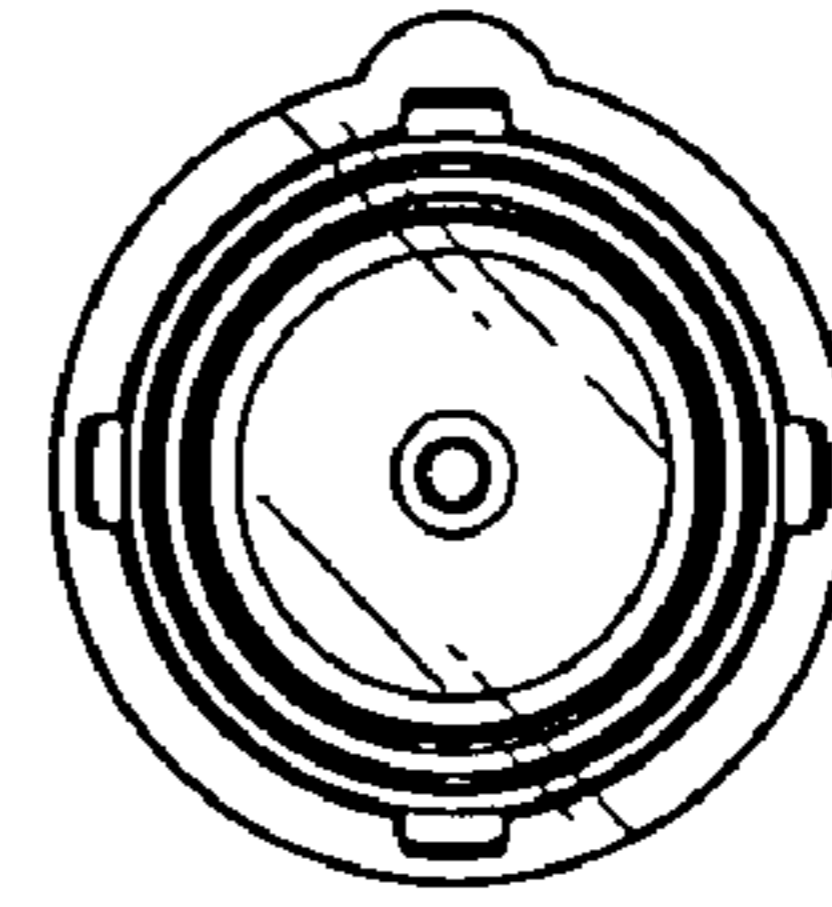


FIG. 11

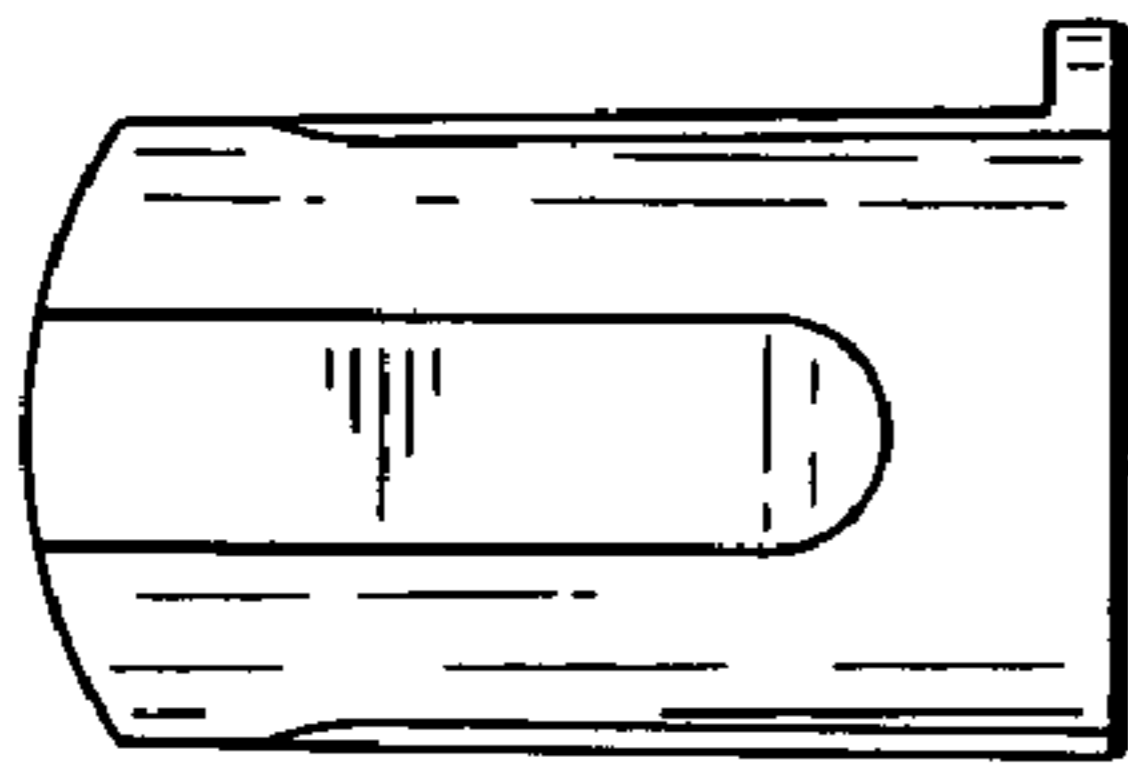


FIG. 12

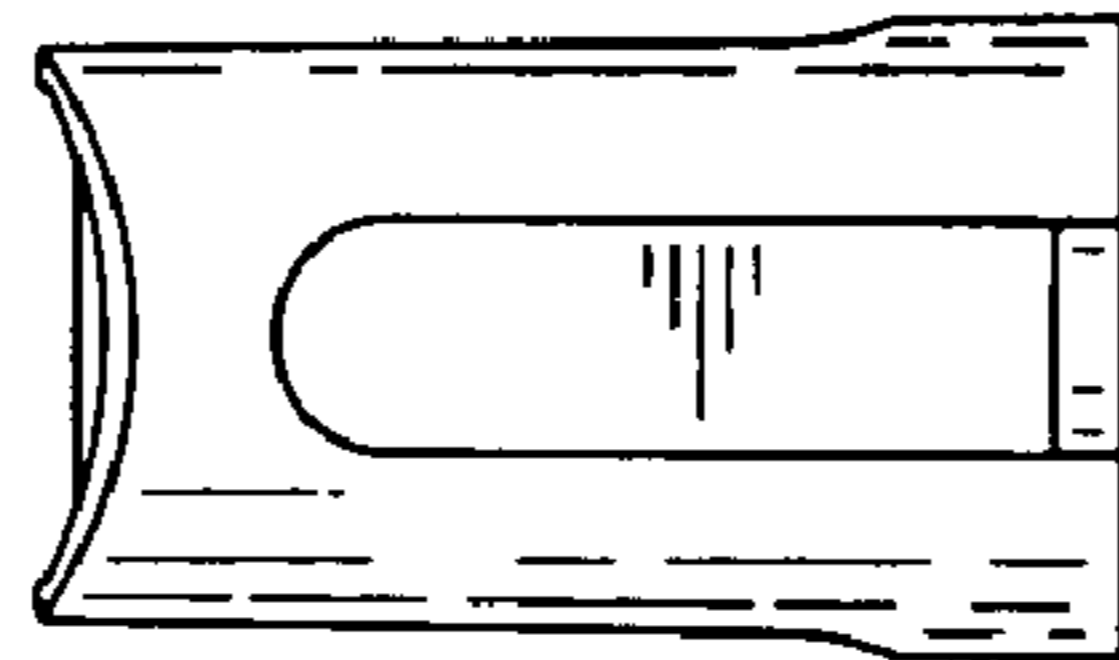


FIG. 13

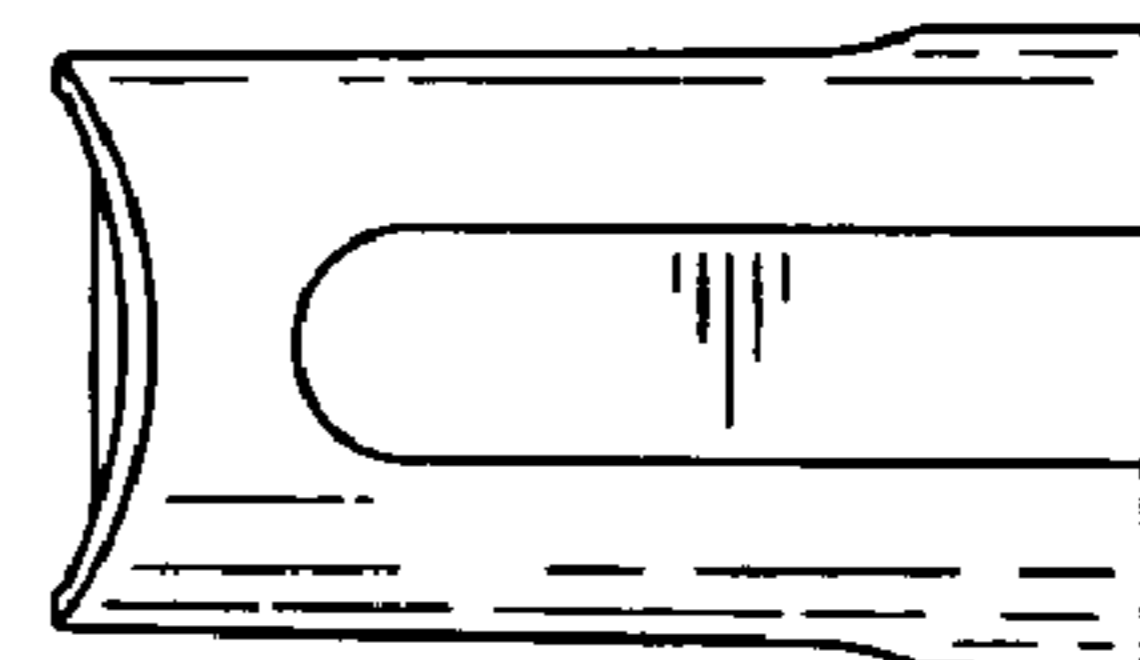


FIG. 14

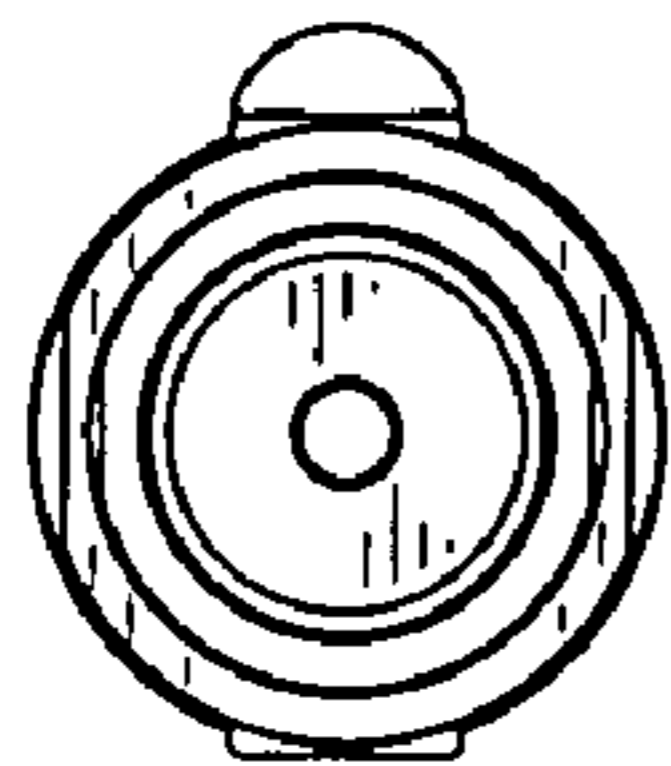


FIG. 15

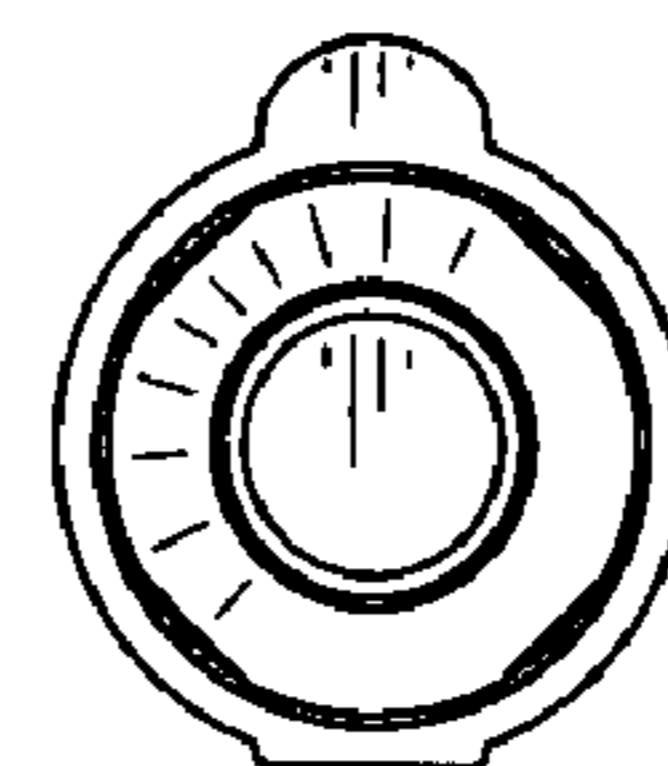


FIG. 16