



US00D559310S

(12) **United States Design Patent**  
**Tsui**

(10) **Patent No.:** **US D559,310 S**  
(45) **Date of Patent:** **\*\* Jan. 8, 2008**

(54) **PROJECTOR PEN**

(75) Inventor: **Sun Chuen Tsui**, Kowloon (HK)

(73) Assignee: **New San Ban Stationery Limited**,  
Kowloon (HK)

(\*\*) Term: **14 Years**

(21) Appl. No.: **29/259,760**

(22) Filed: **May 10, 2006**

(51) **LOC (8) Cl.** ..... **19-06**

(52) **U.S. Cl.** ..... **D19/36**

(58) **Field of Classification Search** ..... D19/35,  
D19/36, 41-51, 54-57; D27/146; 24/11 R,  
24/11 F, 11 P; 401/6-8, 52, 99, 100, 104-109,  
401/192, 195, 243-247, 334; 362/118  
See application file for complete search history.

(56) **References Cited**

**U.S. PATENT DOCUMENTS**

2,045,431	A *	6/1936	Woessner	.....	15/431
2,148,684	A *	2/1939	Chesler	.....	15/427
D182,239	S *	3/1958	Hartline	.....	D19/44
5,368,406	A *	11/1994	Hanshaw	.....	401/195
D359,510	S *	6/1995	Chuang	.....	D19/57
D408,854	S *	4/1999	Katami	.....	D19/51
D420,702	S *	2/2000	Chang	.....	D19/36
6,746,168	B2 *	6/2004	DeLuca et al.	.....	401/117

D506,498	S *	6/2005	Huang et al.	.....	D19/36
D525,299	S *	7/2006	Kowalski et al.	.....	D19/36
7,220,012	B2 *	5/2007	Liu	.....	362/118

**OTHER PUBLICATIONS**

LED Logo Projection Pen as shown on <http://szhllp.manufacturer.globalsources.com>, viewed Aug. 31, 2007 (1 page).\*  
Projector pen, as shown on [www.blikvangers.com](http://www.blikvangers.com), dated Feb. 2, 2007 (1 page).\*

\* cited by examiner

*Primary Examiner*—Elizabeth A. Albert

*Assistant Examiner*—Karen E Eldridge Powers

(74) *Attorney, Agent, or Firm*—Rabin & Berdo, P.C.

(57) **CLAIM**

The ornamental design for a projector pen, as shown and described.

**DESCRIPTION**

FIG. 1 is a front view in open condition of a projector pen showing my new design;

FIG. 2 is a rear view thereof;

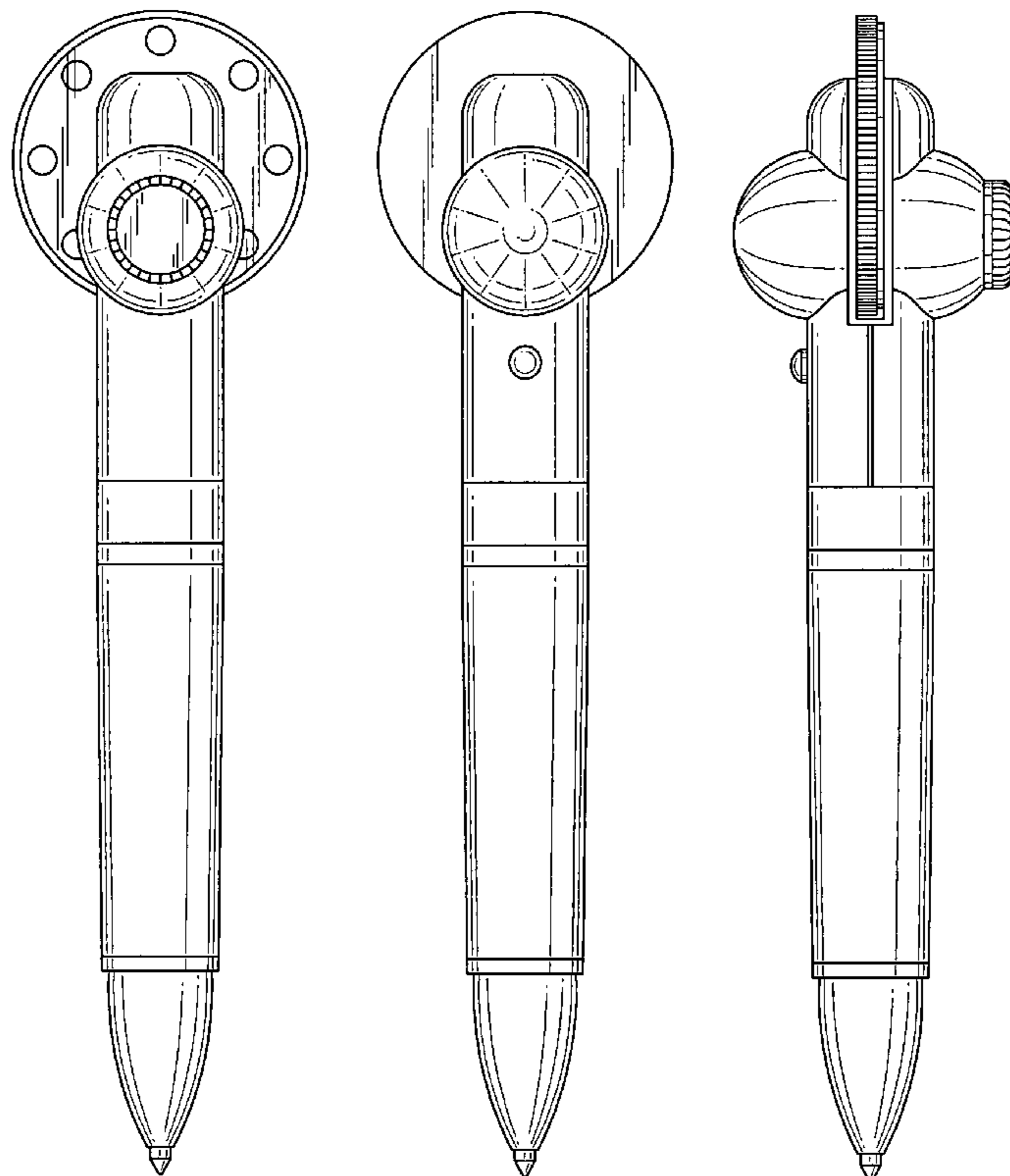
FIG. 3 is a left side view thereof;

FIG. 4 is a right side view thereof;

FIG. 5 is a top end view thereof; and,

FIG. 6 is a bottom end view thereof.

**1 Claim, 3 Drawing Sheets**



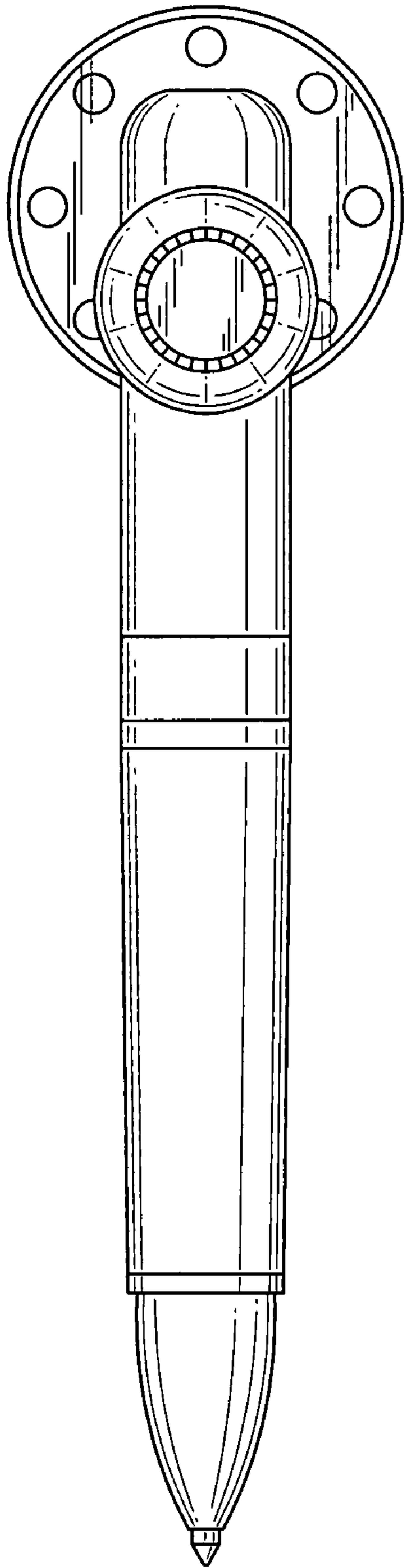


FIG. 1

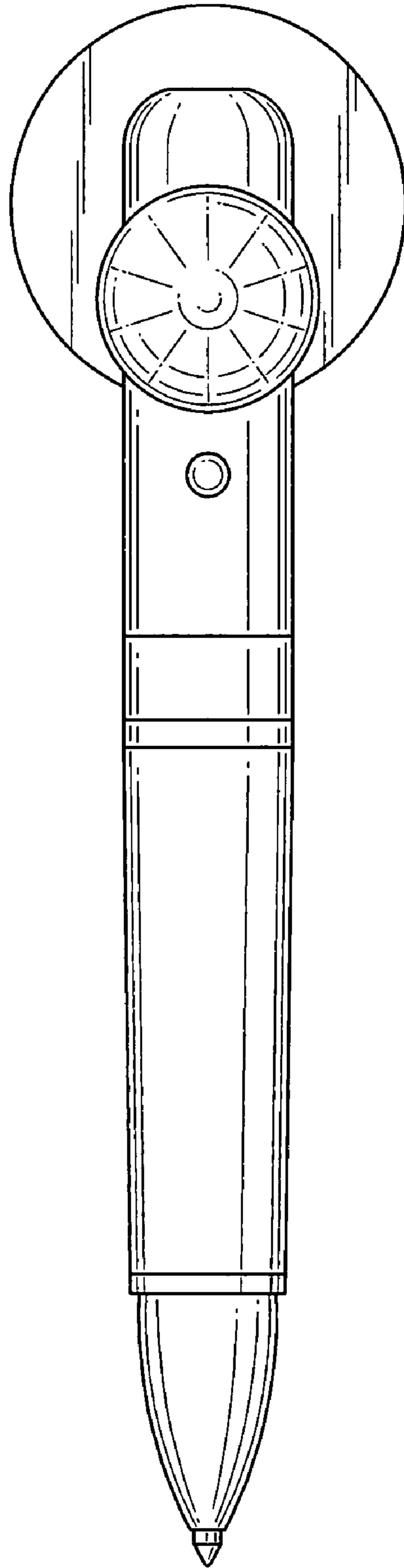


FIG. 2

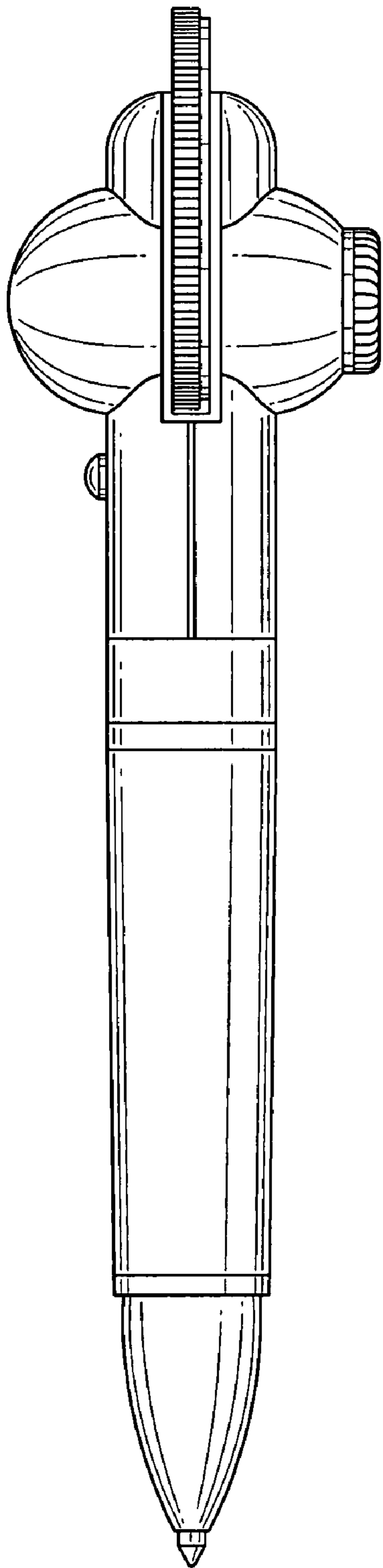


FIG. 3

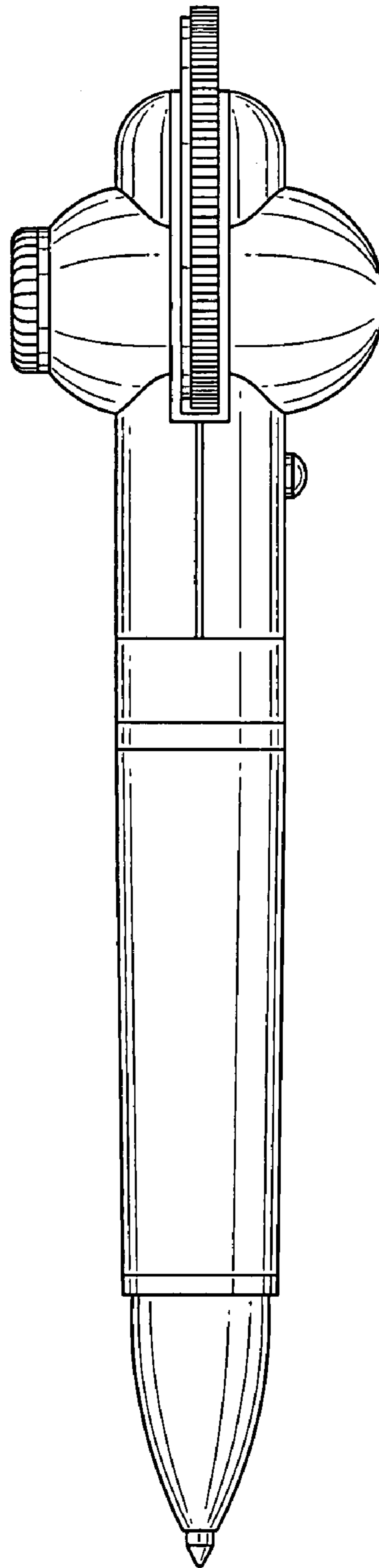
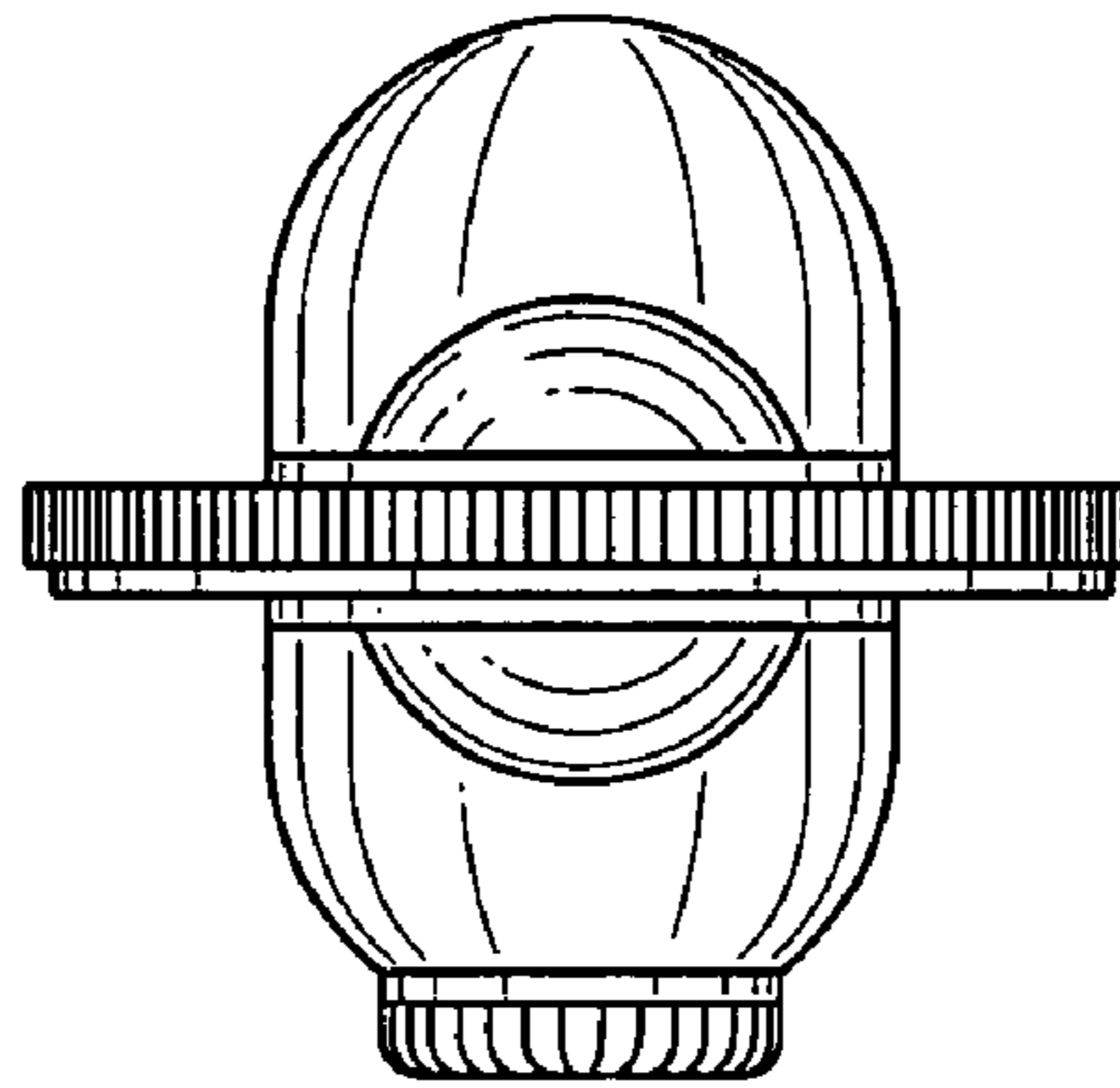
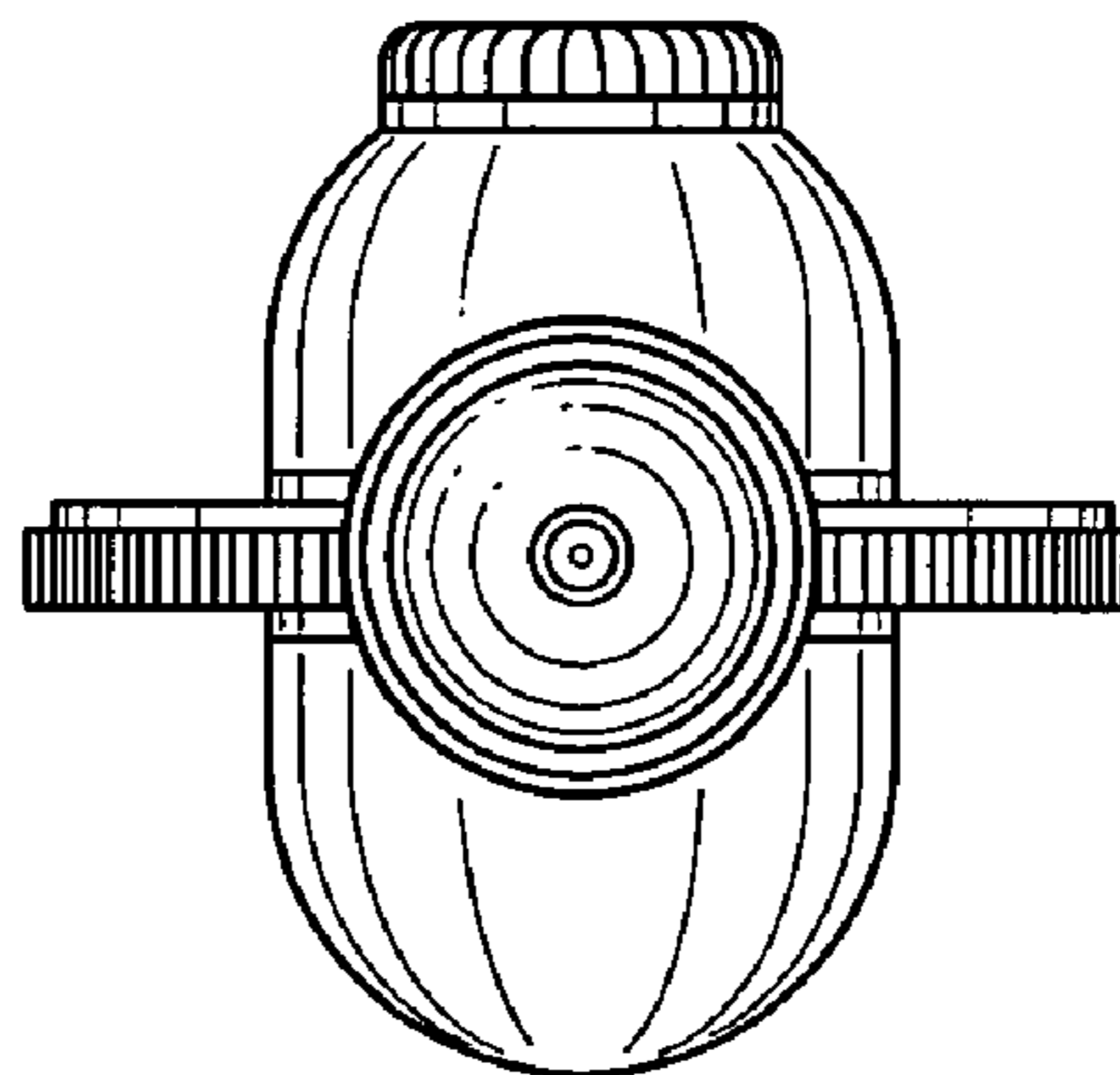


FIG. 4



**FIG. 5**



**FIG. 6**