



US00D559306S

(12) **United States Design Patent**
Lam et al.

(10) **Patent No.:** **US D559,306 S**
(45) **Date of Patent:** **** Jan. 8, 2008**

(54) **MATERIAL TRIMMER**
(75) Inventors: **Luc Lam**, Madison, WI (US); **David C. Eby**, Madison, WI (US)
(73) Assignee: **Fiskars Brands, Inc.**, Madison, WI (US)

D436,307 S 1/2001 Seaton
D476,028 S 6/2003 McLean
D501,500 S * 2/2005 Schultz et al. D18/34.8
D528,590 S * 9/2006 Bathard et al. D18/34.8
D531,204 S * 10/2006 Nakamura D18/34.8
2003/0140761 A1 7/2003 Schulz

(**) Term: **14 Years**

FOREIGN PATENT DOCUMENTS

(21) Appl. No.: **29/270,829**

GB 1055049 * 6/1989
GB 2028782 * 9/1993
GB 2048060 * 10/1995
GB 3022323 * 9/2005

(22) Filed: **Jan. 4, 2007**

OTHER PUBLICATIONS

(51) **LOC (8) Cl.** **18-04**
(52) **U.S. Cl.** **D18/34.9**
(58) **Field of Classification Search** D18/34.3,
D18/34.7, 34.8, 34.9; 83/167, 745, 544,
83/565, 614, 321, 322, 334, 674, 927; 30/151,
30/292, 294, 319; D10/64, 65; D15/127
See application file for complete search history.

Jan. 2005 Fiskars School Office Craft Catalog, pp. 25-31.

* cited by examiner

Primary Examiner—Charles A. Rademaker
(74) *Attorney, Agent, or Firm*—Foley & Lardner LLP

(56) **References Cited**

(57) **CLAIM**

U.S. PATENT DOCUMENTS

We claim the ornamental design for a material trimmer, as shown and described.

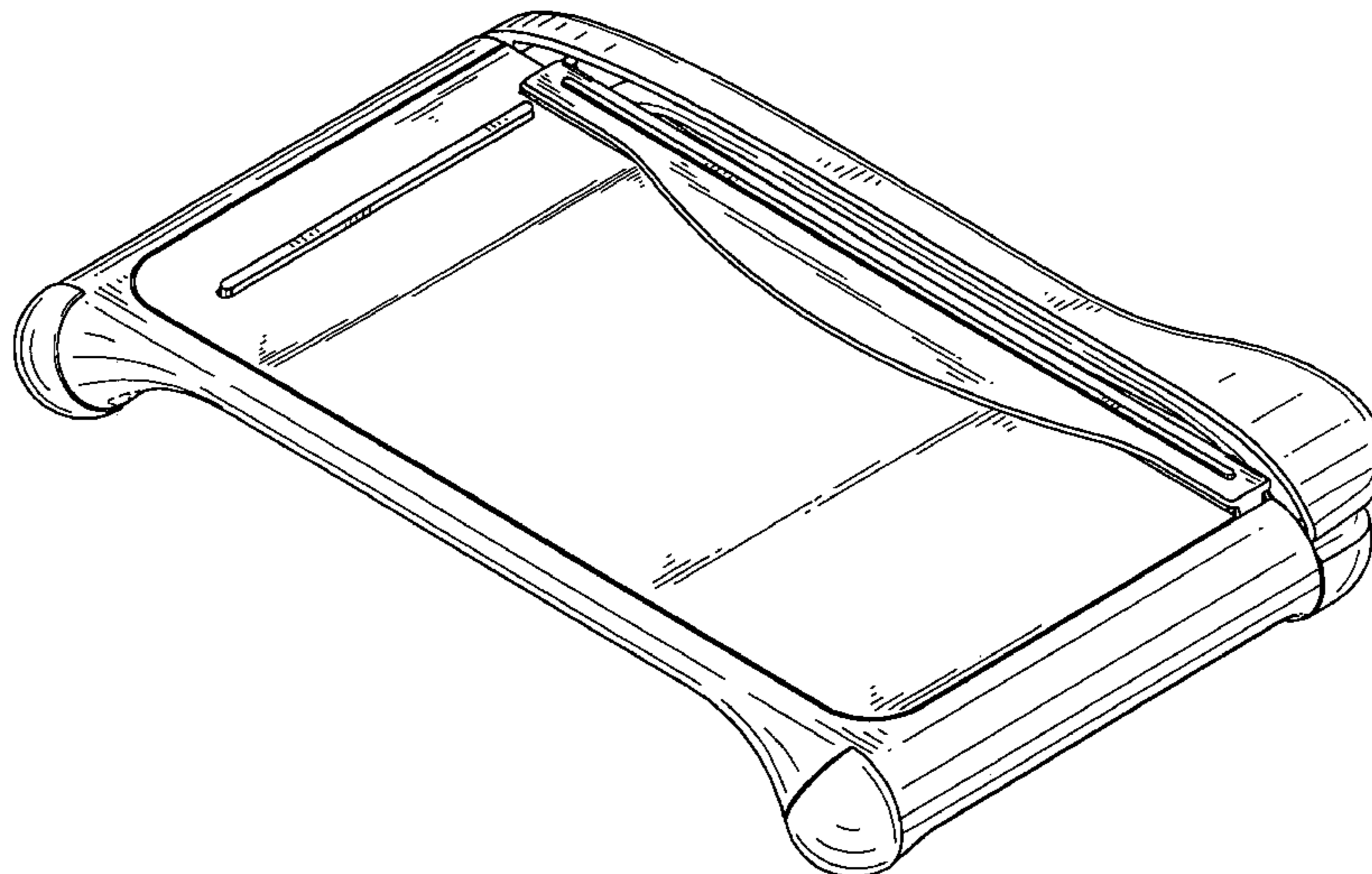
D216,207 S * 12/1969 Tripp et al. D10/65
3,871,079 A * 3/1975 Magee 30/294
4,237,762 A * 12/1980 Winter 83/745
D276,528 S * 11/1984 Shaffer D15/127
D319,840 S * 9/1991 Hatsumi et al. D18/34.8
D322,974 S * 1/1992 Mori D18/34.8
D348,271 S * 6/1994 Mori D18/34.8
5,322,001 A 6/1994 Boda
D353,150 S * 12/1994 Mori D18/34.8
D374,403 S * 10/1996 Hougesen D10/65
D377,368 S * 1/1997 Rellinger D18/34.8
D379,193 S * 5/1997 Cornell D18/34.8
D381,359 S * 7/1997 Mori D18/34.8
5,802,942 A 9/1998 Cornell et al.
D411,227 S * 6/1999 Mori D18/34.9
D415,404 S 10/1999 Seaton
D415,519 S * 10/1999 Mori D18/34.8
5,996,459 A 12/1999 Cornell et al.

DESCRIPTION

FIG. 1 is a perspective view of a material trimmer showing our new design;
FIG. 2 is a top view thereof;
FIG. 3 is a rear side view thereof;
FIG. 4 is a right view thereof;
FIG. 5 is a front side view thereof;
FIG. 6 is a left view thereof; and,
FIG. 7 is a bottom view thereof.

The broken lines shown in the drawings are included for the purpose of illustrating environmental structure and form no part of the claimed design.

1 Claim, 5 Drawing Sheets



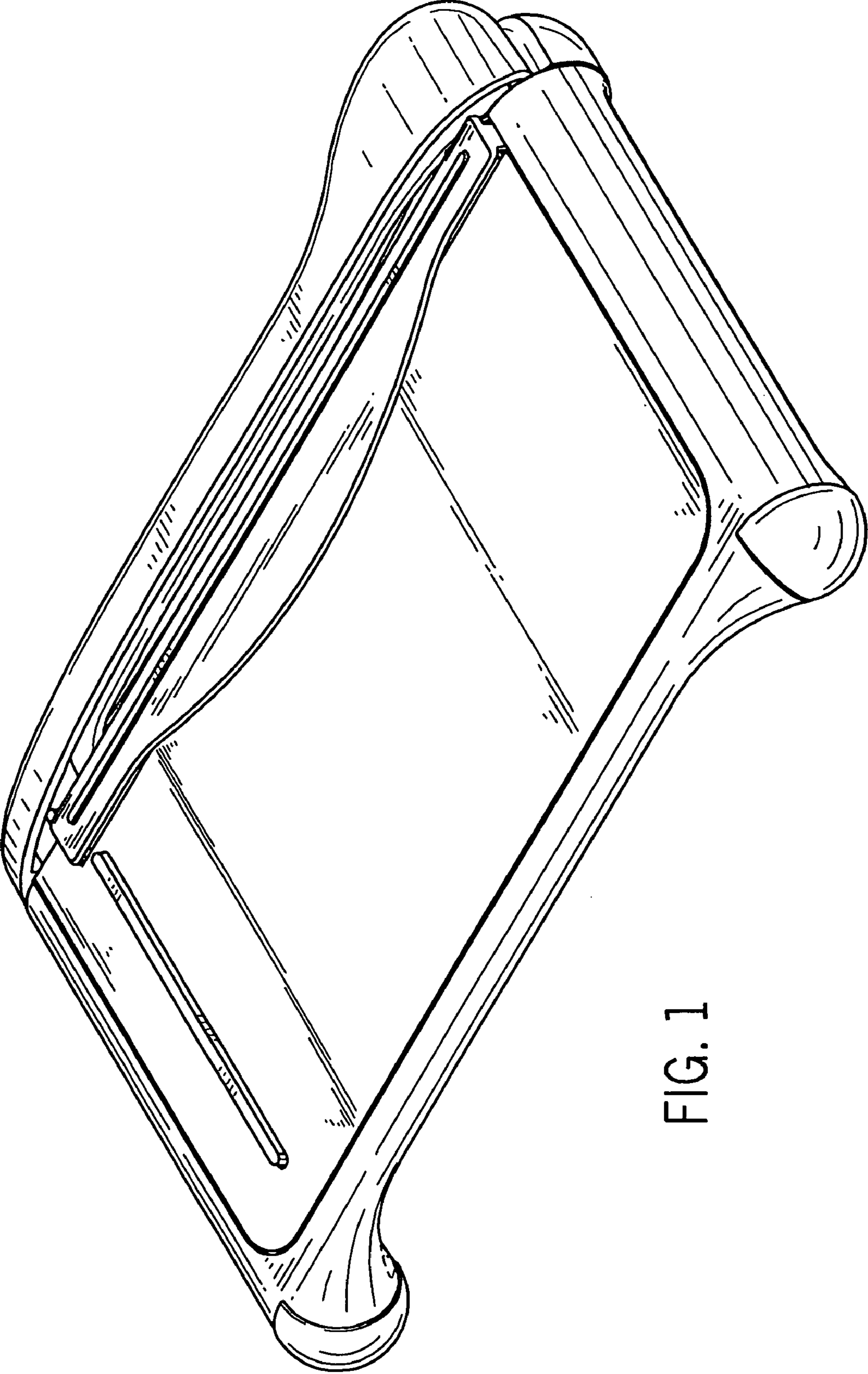


FIG. 1

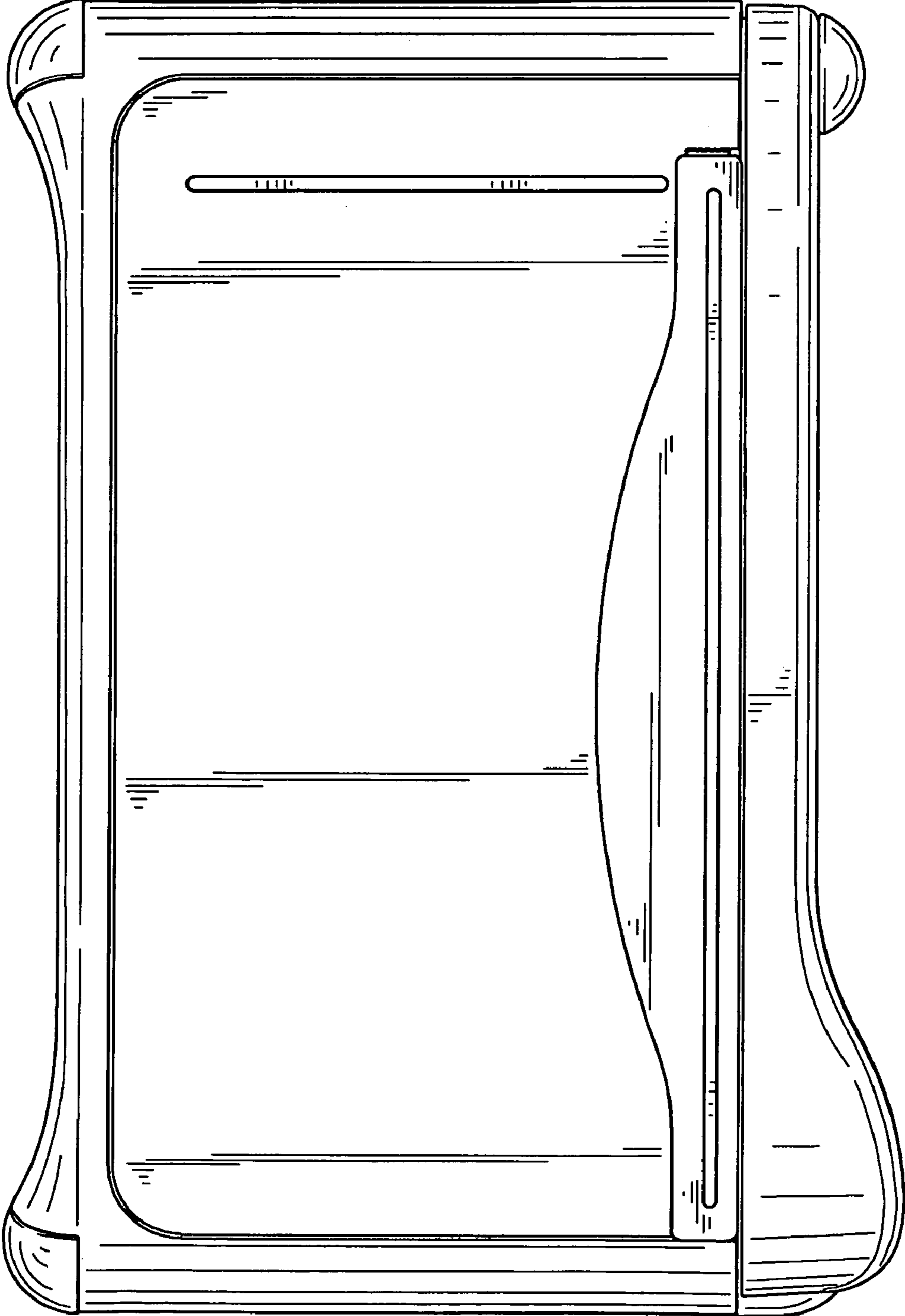


FIG. 2

FIG. 3

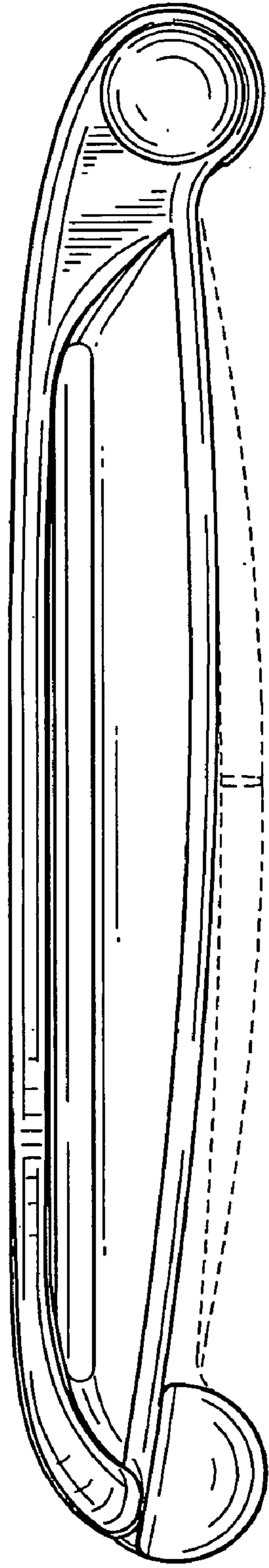


FIG. 4

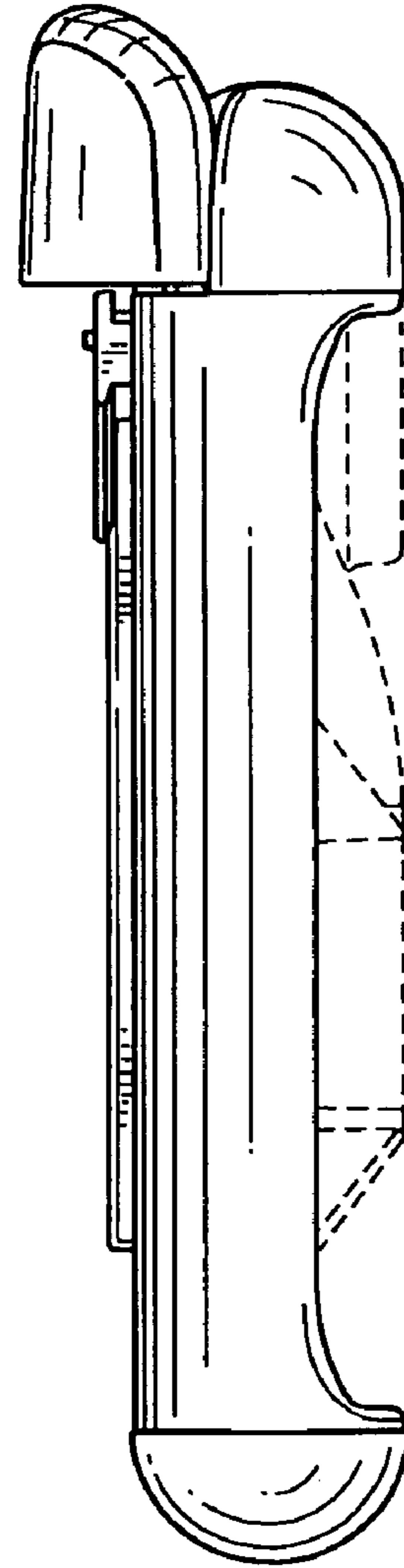


FIG. 5

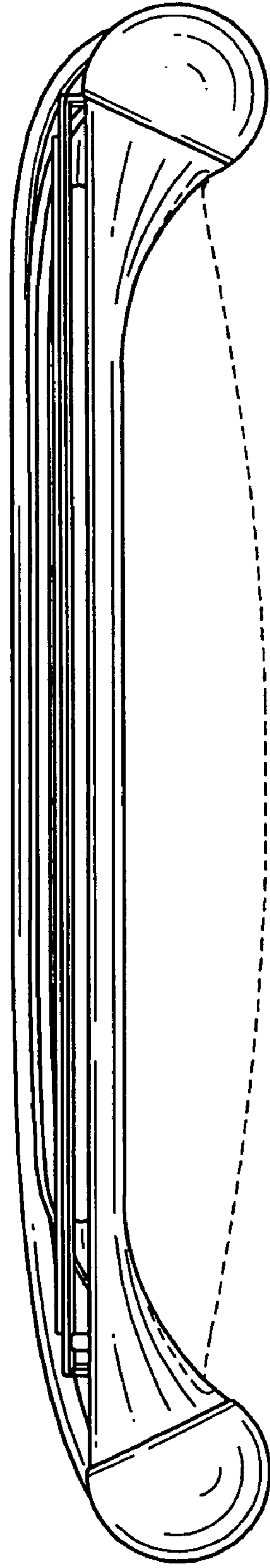
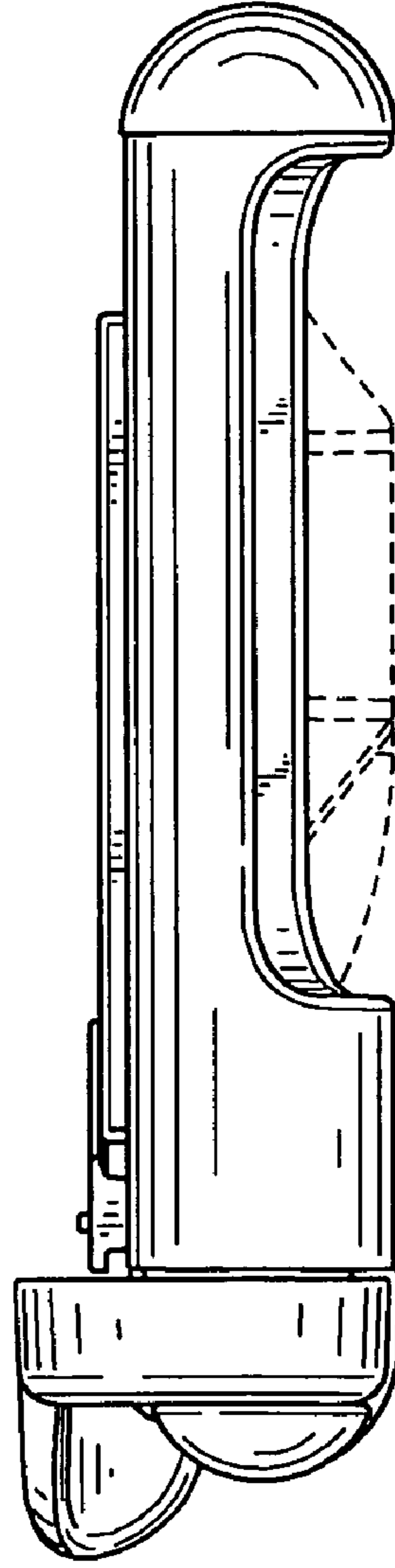


FIG. 6



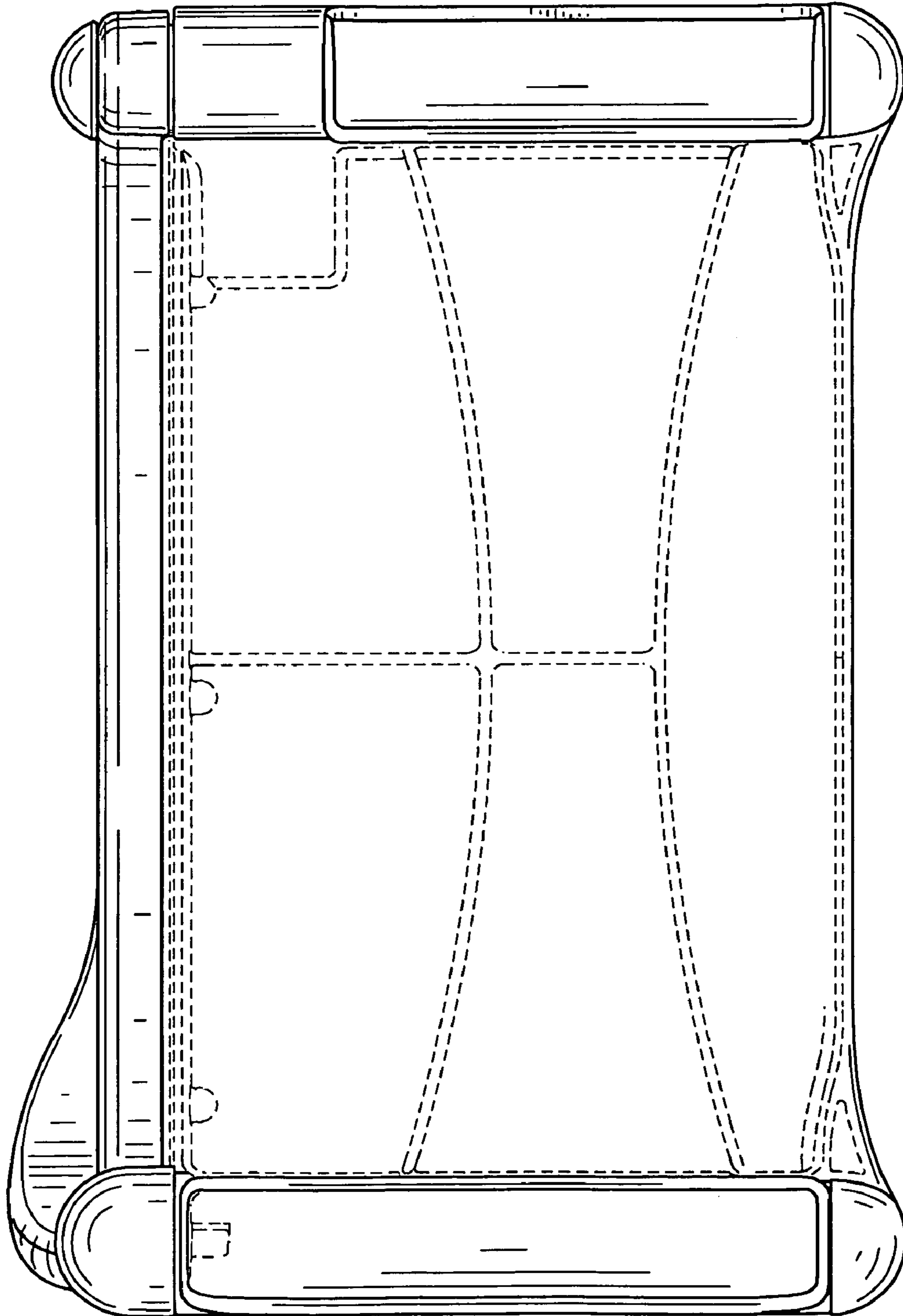


FIG. 7