



US00D559303S

(12) **United States Design Patent**  
**Hongo**

(10) **Patent No.:** **US D559,303 S**  
(45) **Date of Patent:** **\*\* Jan. 8, 2008**

(54) **LABEL PRINTER**

(75) Inventor: **Miyoji Hongo**, Chiba (JP)

(73) Assignee: **Seiko Instruments Inc.**, Chiba (JP)

(\*\*) Term: **14 Years**

(21) Appl. No.: **29/230,326**

(22) Filed: **May 18, 2005**

(51) **LOC (8) Cl.** ..... **18-99**

(52) **U.S. Cl.** ..... **D18/19**

(58) **Field of Classification Search** ..... D18/15-18,  
D18/50; 101/333-334, 327, 405, 406, 328,  
101/352.07; 118/264, 268

See application file for complete search history.

(56) **References Cited**

**U.S. PATENT DOCUMENTS**

1,263,094	A	*	4/1918	Millea	.....	101/333
D355,437	S	*	2/1995	Reph	.....	D18/14
D389,859	S	*	1/1998	Thuma et al.	.....	D18/14
D409,230	S	*	5/1999	Gilbertson et al.	.....	D18/14
D413,623	S	*	9/1999	Ohno	.....	D18/50

D473,261	S	*	4/2003	Ohtani et al.	.....	D18/14
D478,116	S	*	8/2003	Nakaeda et al.	.....	D18/19
D522,571	S	*	6/2006	Senda et al.	.....	D18/54
D525,284	S	*	7/2006	Matsumoto et al.	.....	D18/19

\* cited by examiner

*Primary Examiner*—Charles A. Rademaker

(74) *Attorney, Agent, or Firm*—Hogan & Hartson LLP

(57) **CLAIM**

The ornamental design of a label printer, as shown and described.

**DESCRIPTION**

FIG. 1 is a front, top and left side perspective view of a label printer according to the present invention;

FIG. 2 is a front elevation view thereof;

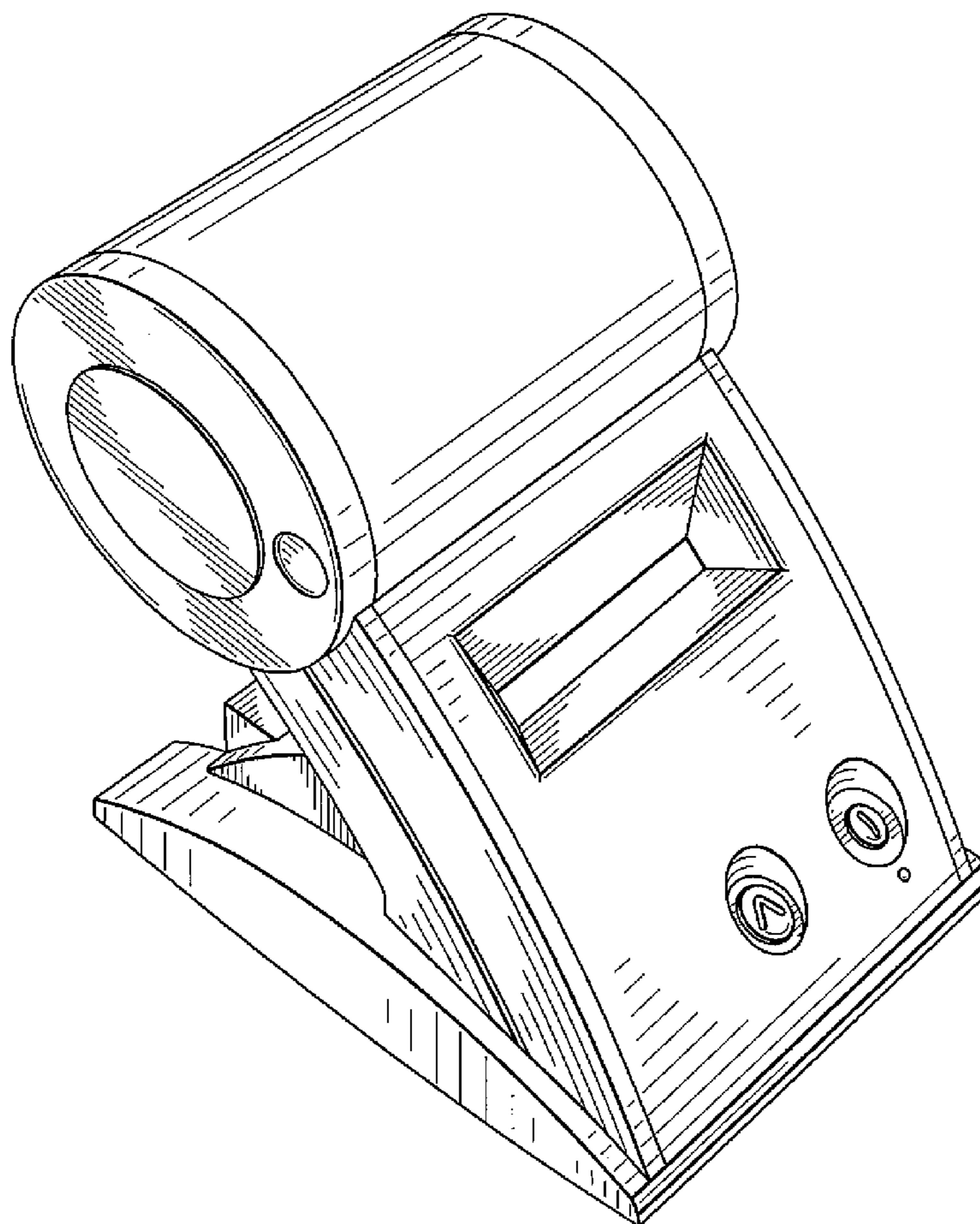
FIG. 3 is a right side elevation view thereof;

FIG. 4 is a rear elevation view thereof;

FIG. 5 is a top plan view thereof; and,

FIG. 6 is a bottom plan view thereof.

**1 Claim, 6 Drawing Sheets**



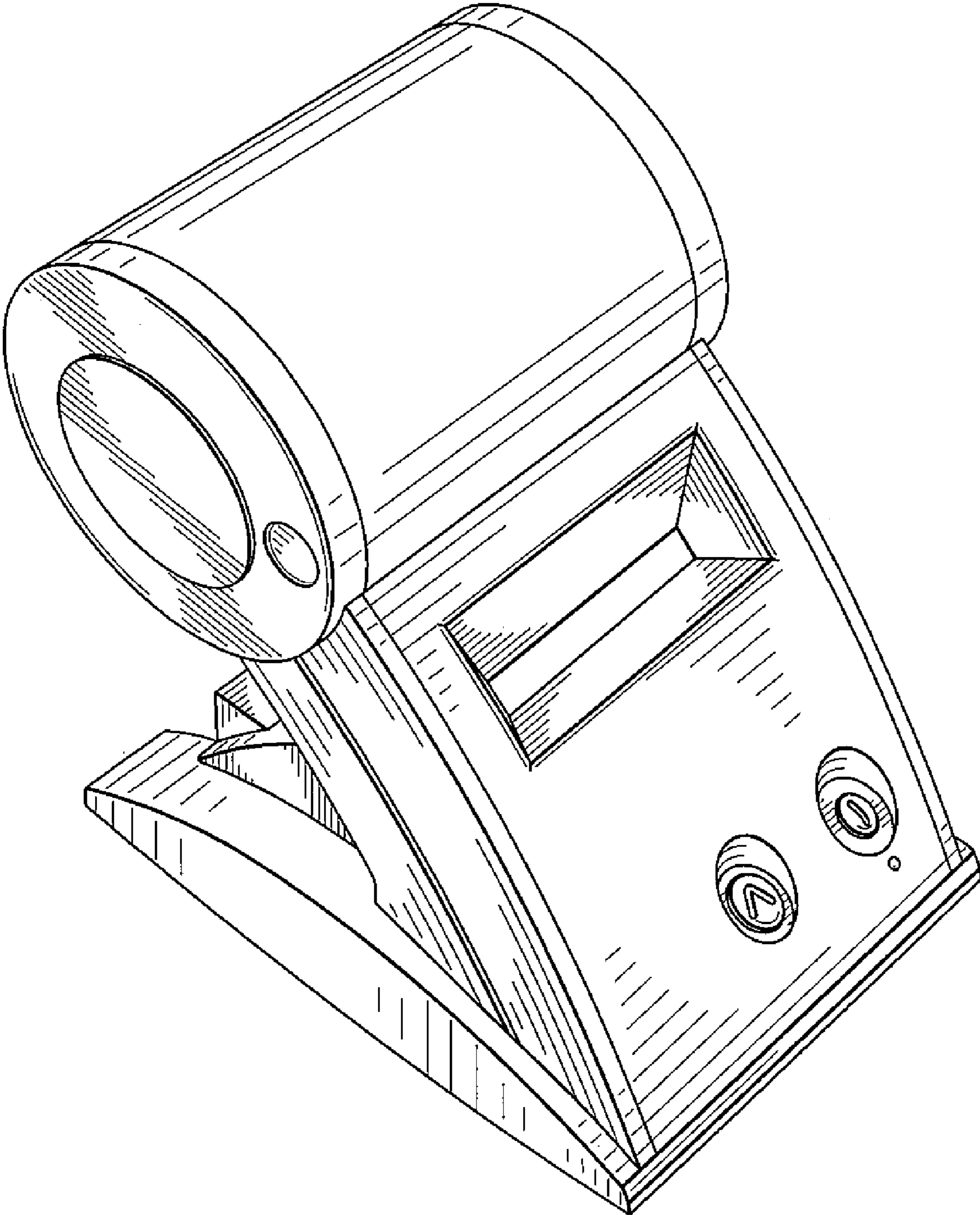


FIG. 1

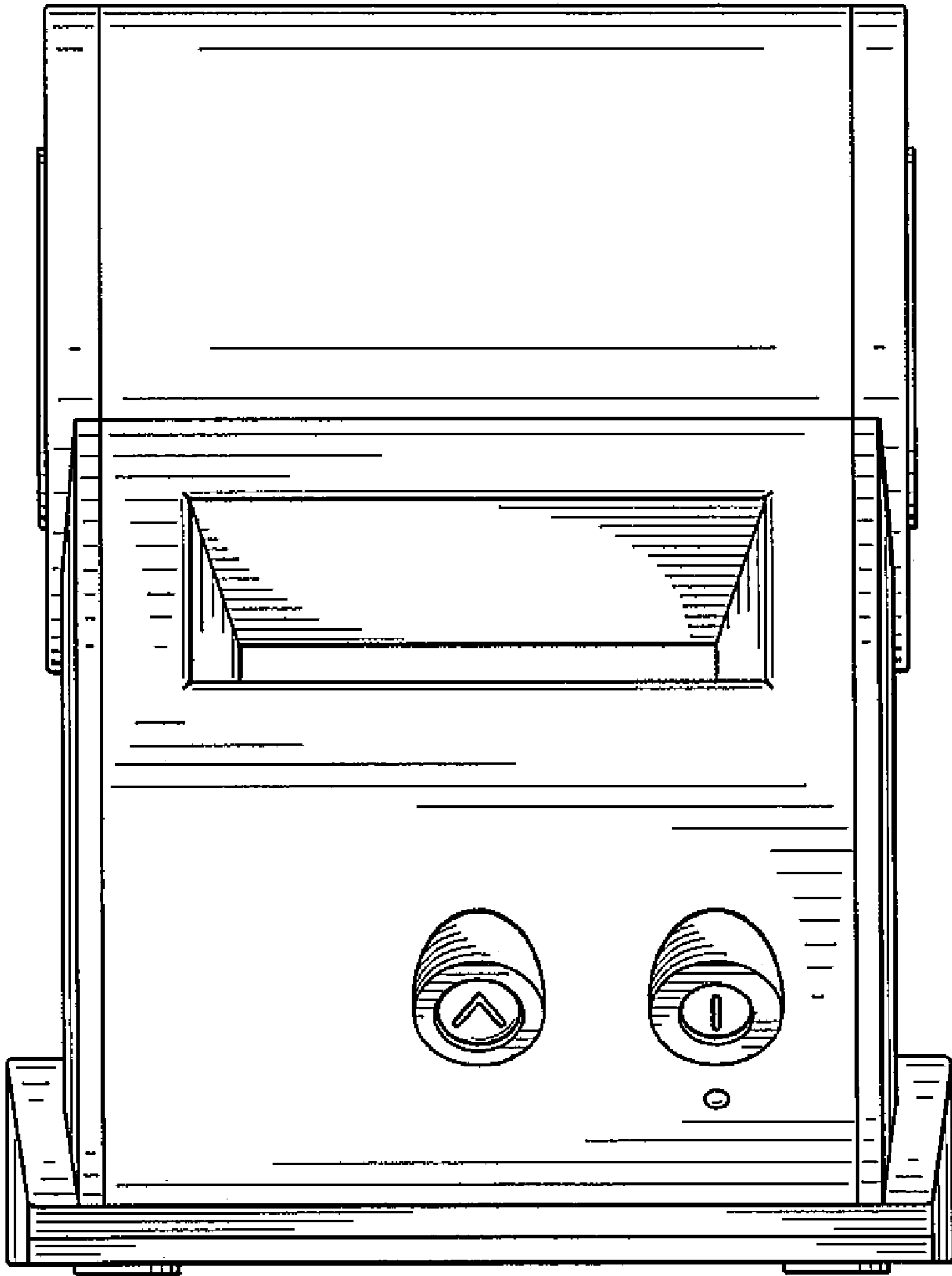


FIG. 2

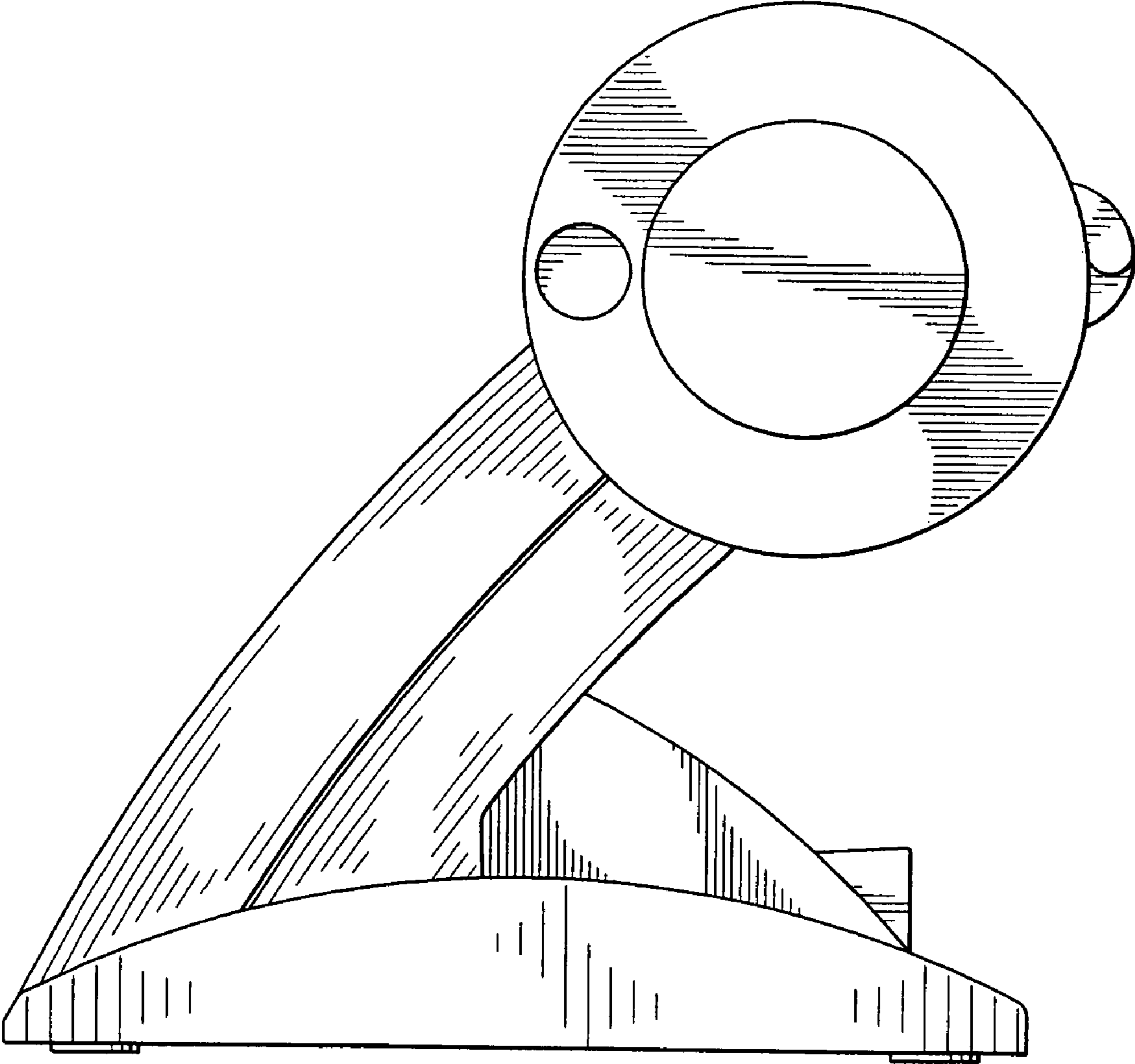


FIG. 3

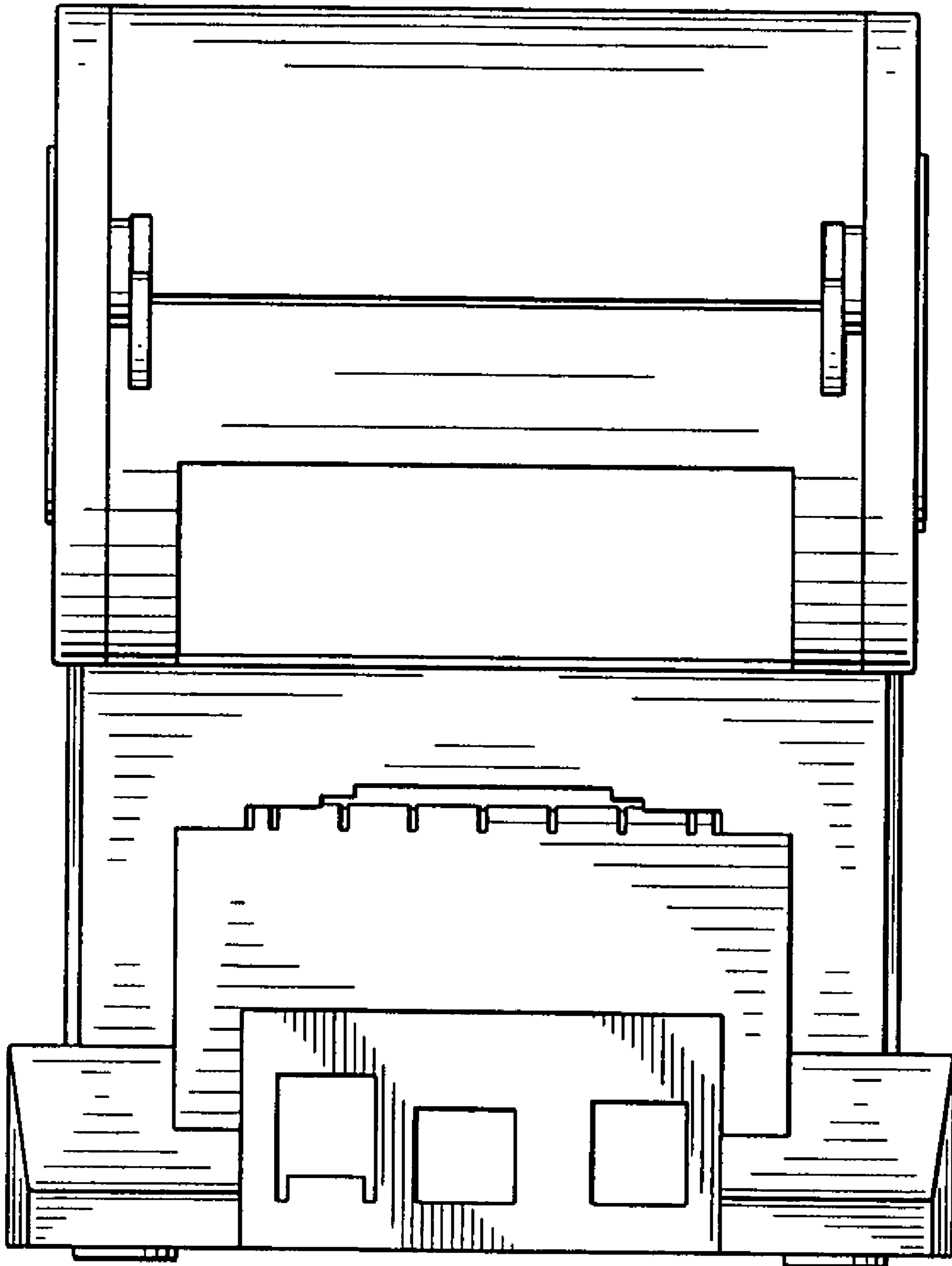


FIG. 4

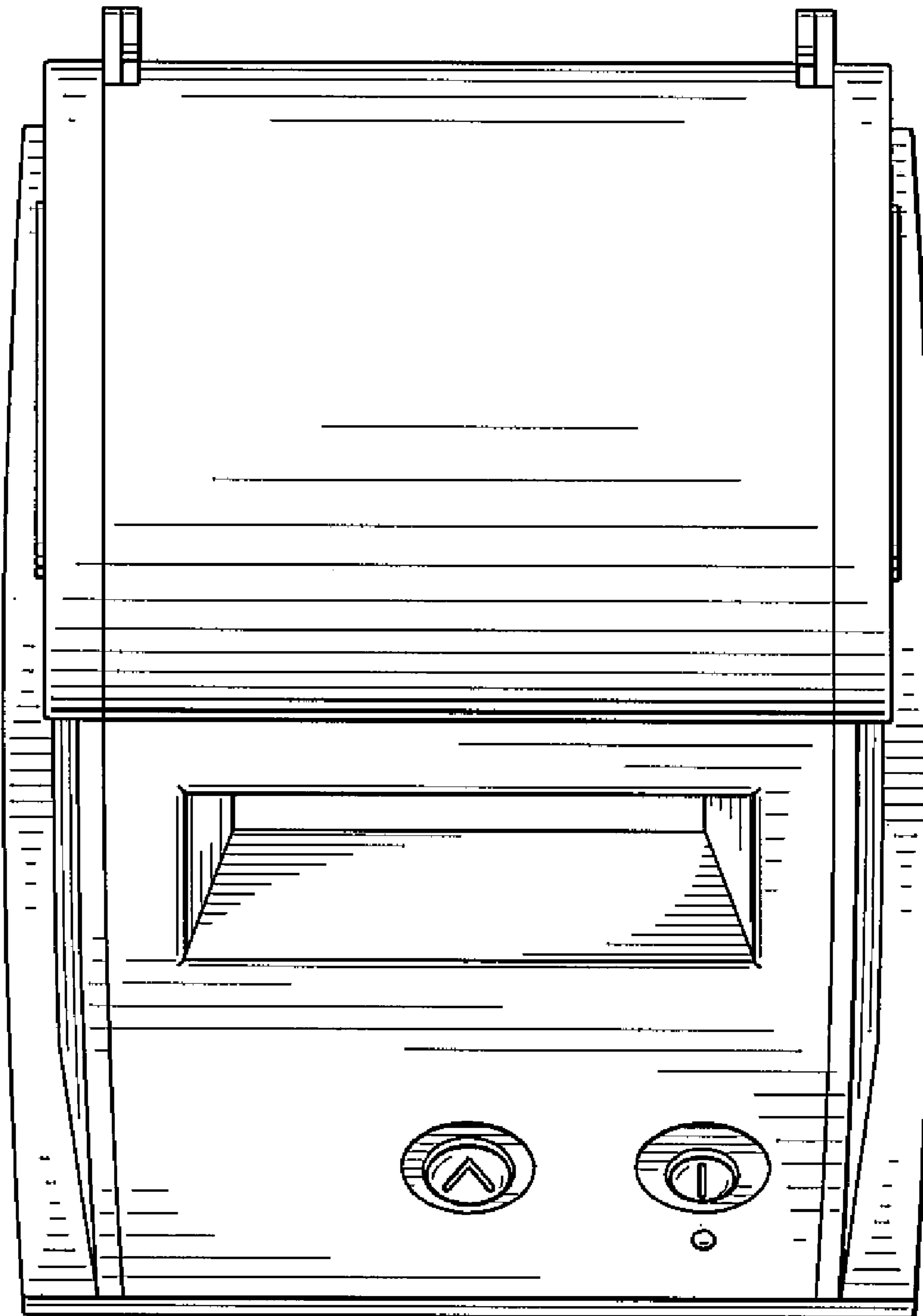


FIG. 5



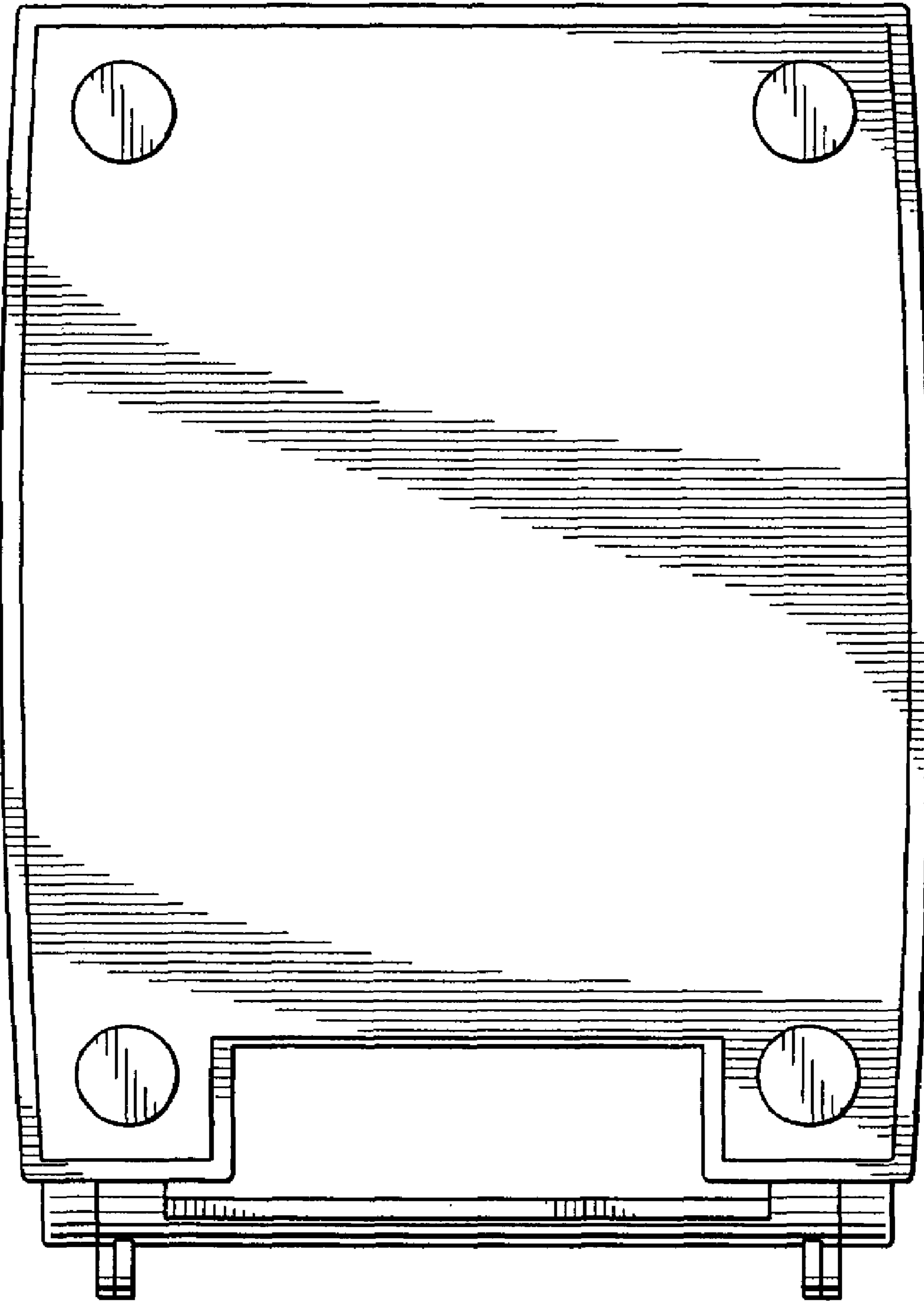


FIG. 6