



US00D559302S

(12) **United States Design Patent**
DeMars

(10) **Patent No.:** **US D559,302 S**
(45) **Date of Patent:** **** Jan. 8, 2008**

(54) **HEADSTOCK PORTION OF A MUSICAL INSTRUMENT**

(76) Inventor: **Daniel D. DeMars**, 28 Douglas Rd., Norwich, VT (US) 05055

(**) Term: **14 Years**

(21) Appl. No.: **29/275,555**

(22) Filed: **Dec. 29, 2006**

(51) **LOC (8) Cl.** **17-03**

(52) **U.S. Cl.** **D17/20**

(58) **Field of Classification Search** D17/14,
D17/15, 18, 19, 20; 84/7, 173, 267, 268,
84/269, 275, 277, 284, 285, 290, 291, 293,
84/306, 314, 453

See application file for complete search history.

(56) **References Cited**

U.S. PATENT DOCUMENTS

767,023	A	*	8/1904	Turturro	84/267
D81,591	S	*	7/1930	Long	D17/18
D262,889	S	*	2/1982	Pondunavac	D17/19
D356,243	S	*	3/1995	Eckerman	D8/373
D420,694	S	*	2/2000	Rose	D17/14
D539,835	S	*	4/2007	Brugal	D17/20

FOREIGN PATENT DOCUMENTS

DE	000273065-0002	*	12/2004
GB	2103259	*	8/2001

OTHER PUBLICATIONS

Kevin Chilcott Luthier. <http://www.kevinchilcott-luthier.co.uk/>.
Copyright 1987. Royal Guitars: center of page.*

* cited by examiner

Primary Examiner—Ian Simmons

Assistant Examiner—R. Johnson

(74) *Attorney, Agent, or Firm*—Downs Rachlin Martin PLLC

(57) **CLAIM**

I claim the ornamental design for a headstock portion of a musical instrument, as shown and described.

DESCRIPTION

FIG. 1 is a top, front perspective view of a headstock portion of a musical instrument showing my new design;

FIG. 2 is a front view of the headstock portion of the musical instrument of FIG. 1;

FIG. 3 is a rear view of the headstock portion of the musical instrument of FIG. 1;

FIG. 4 is a top view of the headstock portion of the musical instrument of FIG. 1;

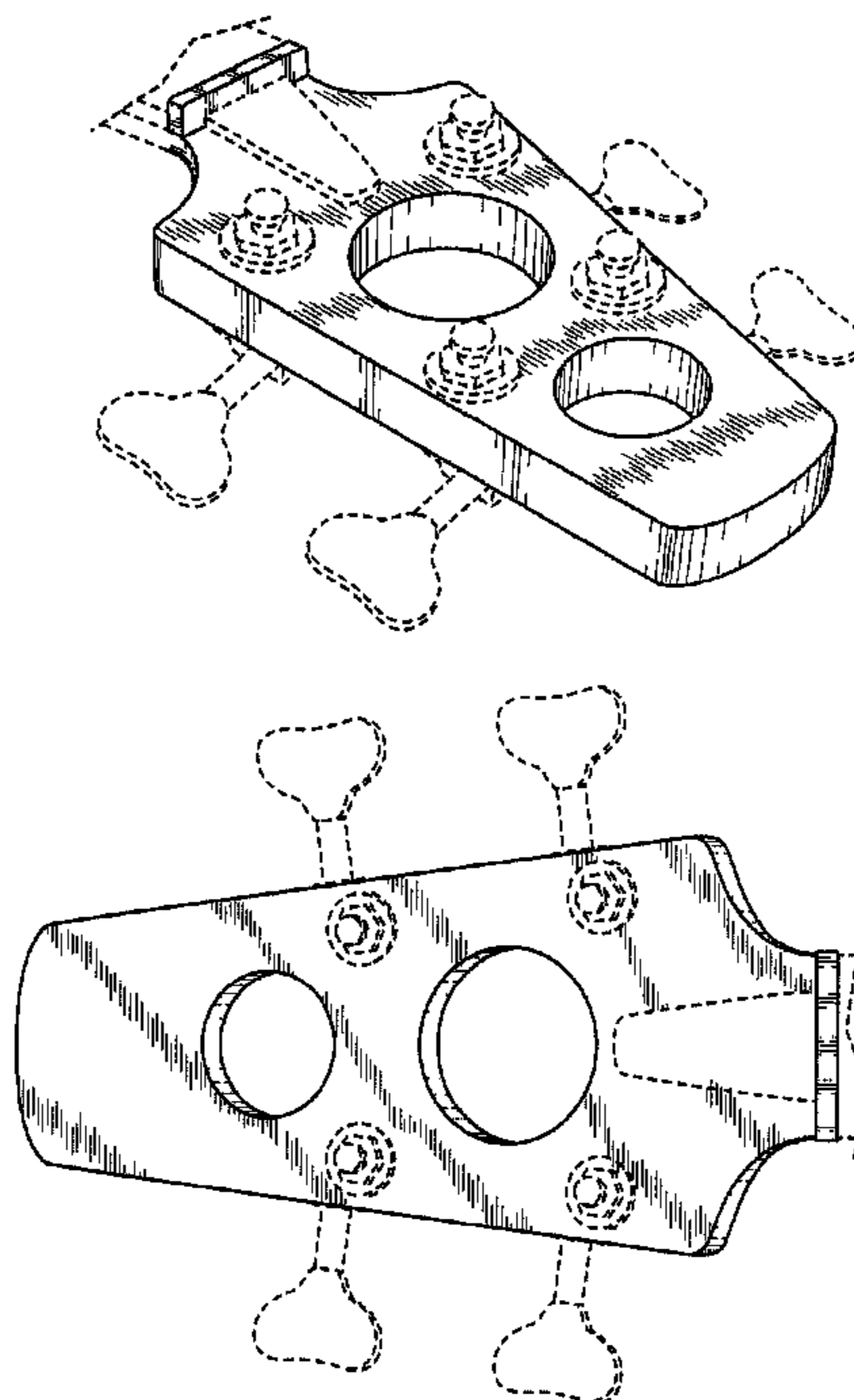
FIG. 5 is a left side view of the headstock portion of the musical instrument of FIG. 1, the right side view being the mirror image of the left side view;

FIG. 6 is a front view of the headstock portion of the musical instrument of FIG. 1 shown in an exemplary environment; and,

FIG. 7 is a front elevational view of the headstock portion of a musical instrument of FIG. 1.

The broken lines showing the remainder of the headstock and the musical instrument are for illustrative purposes only and form no part of the claimed design.

1 Claim, 6 Drawing Sheets



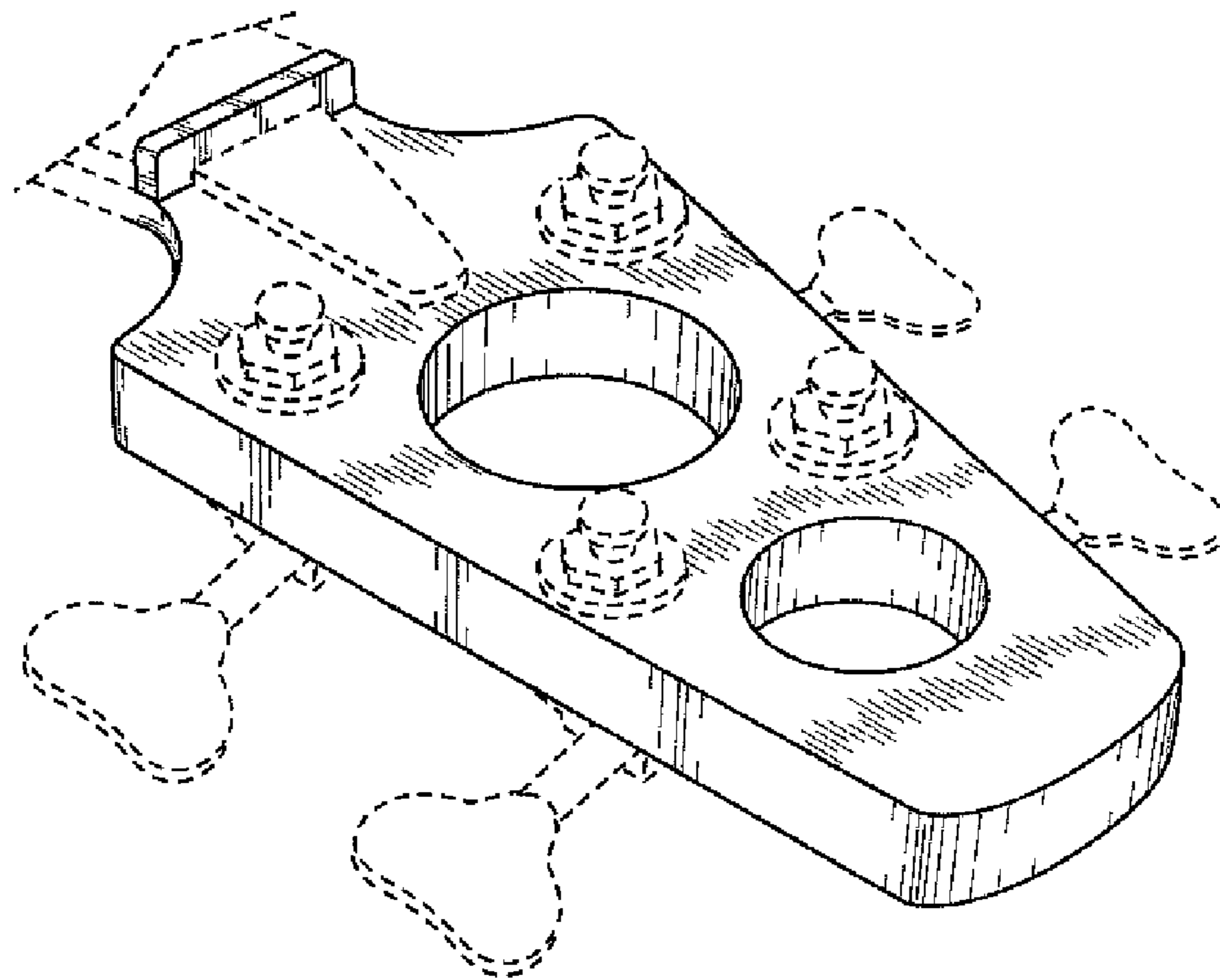


FIG. 1

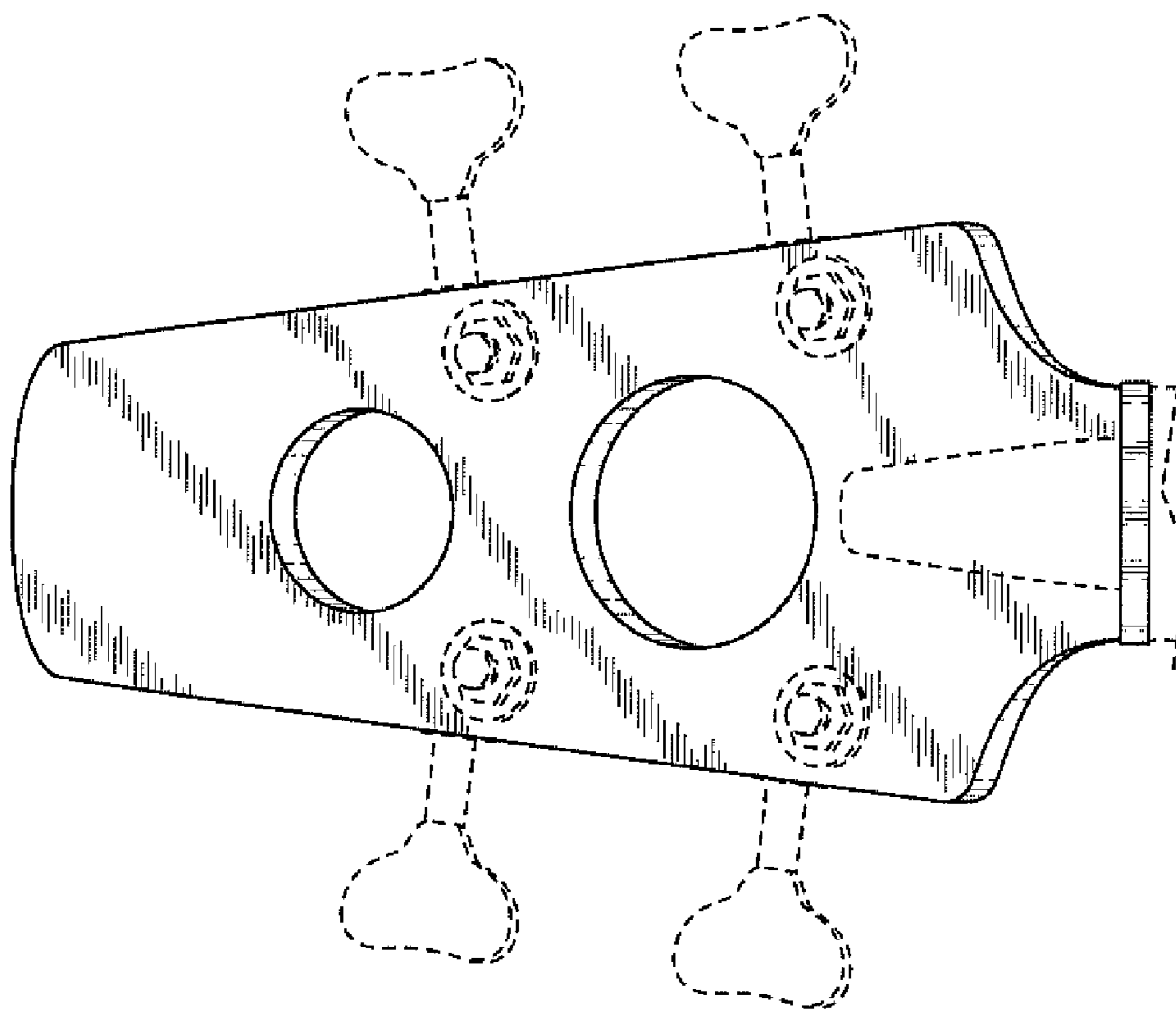


FIG. 2

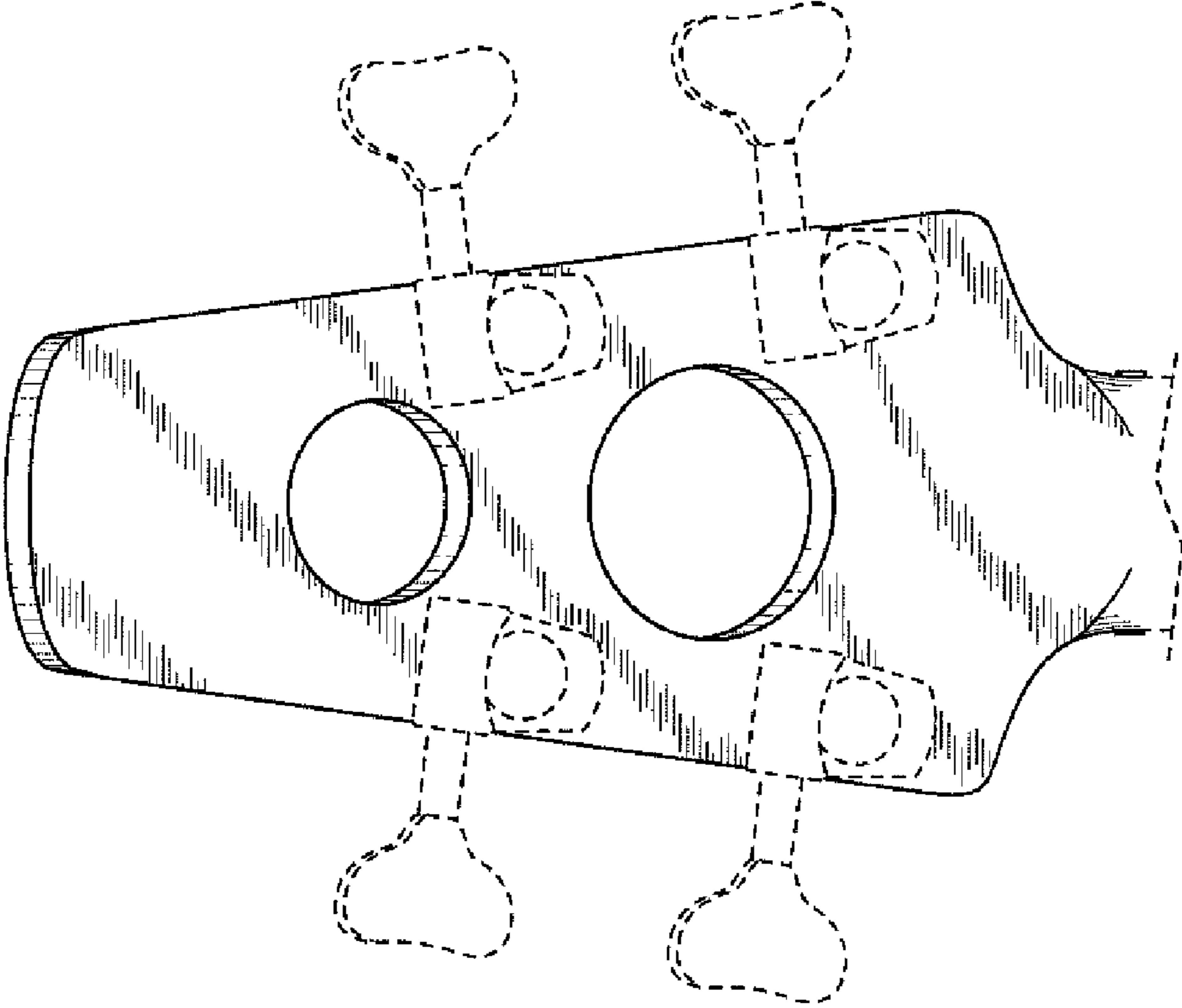


FIG. 3

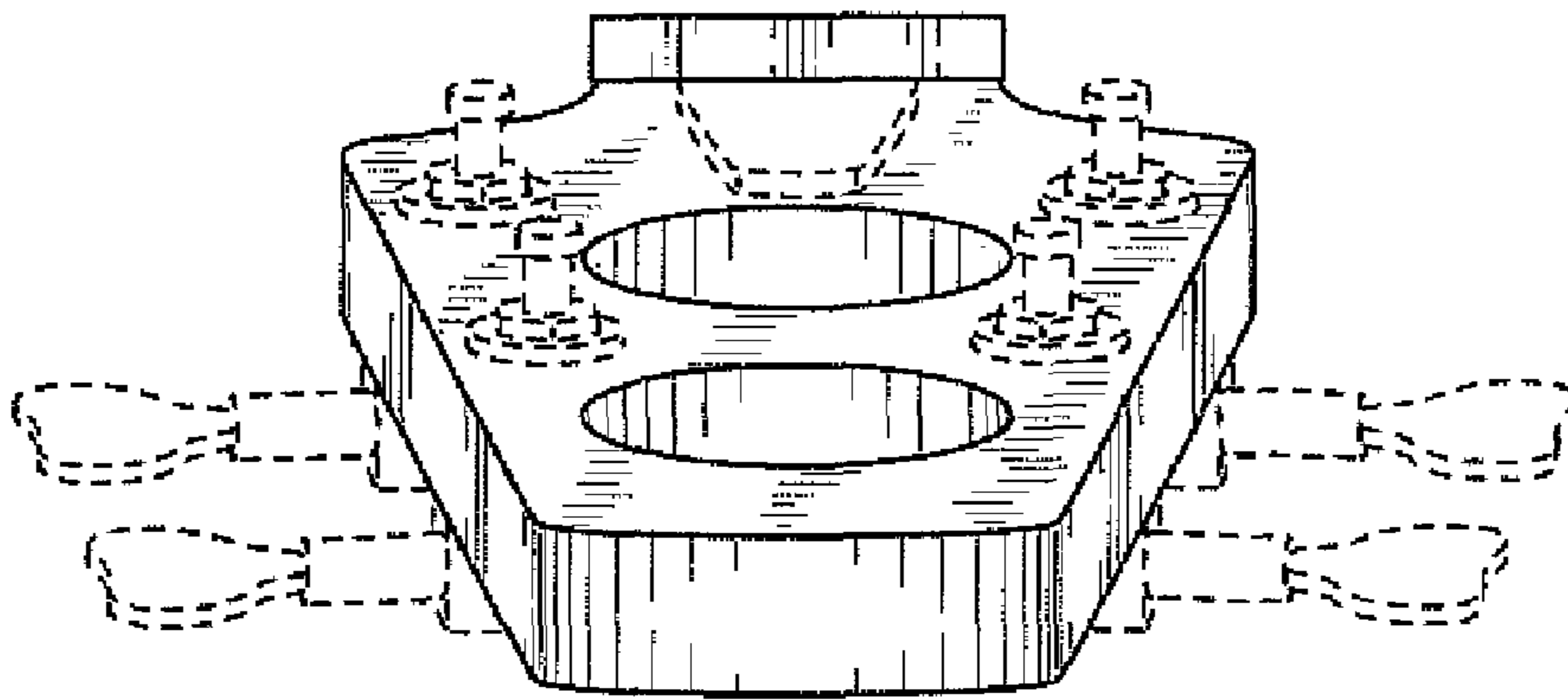


FIG. 4

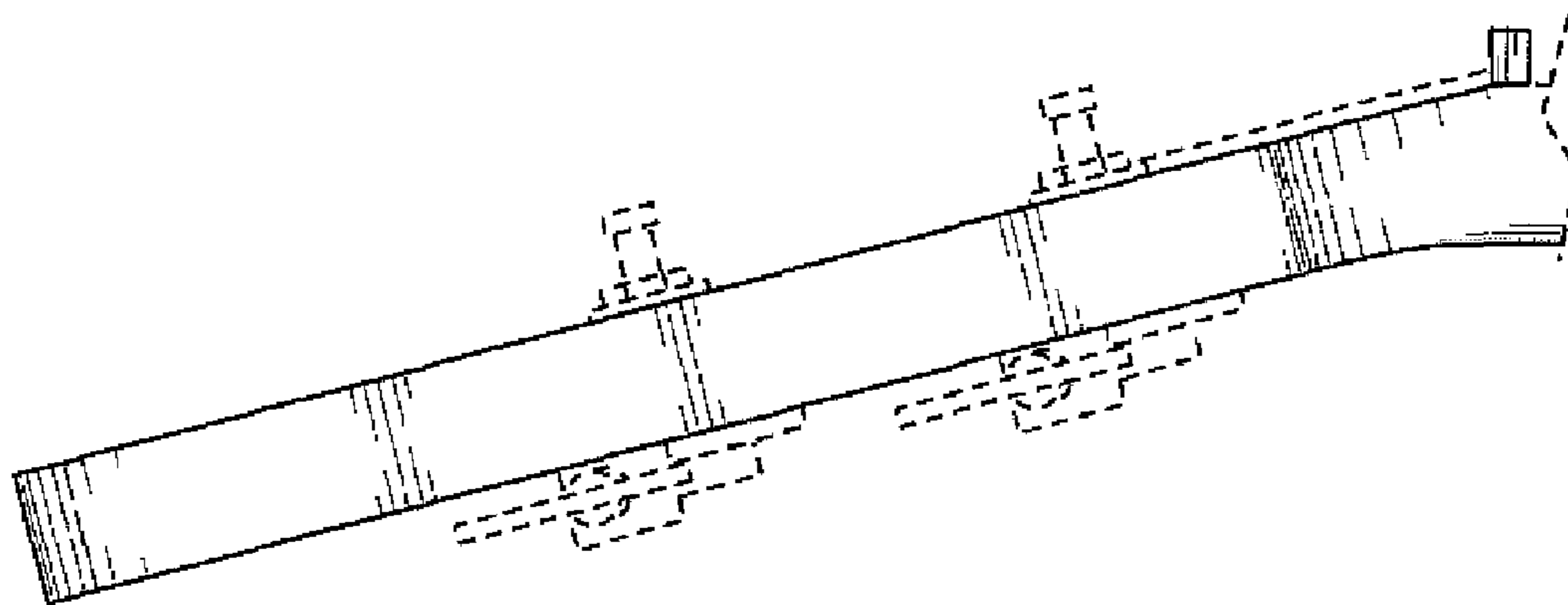


FIG. 5

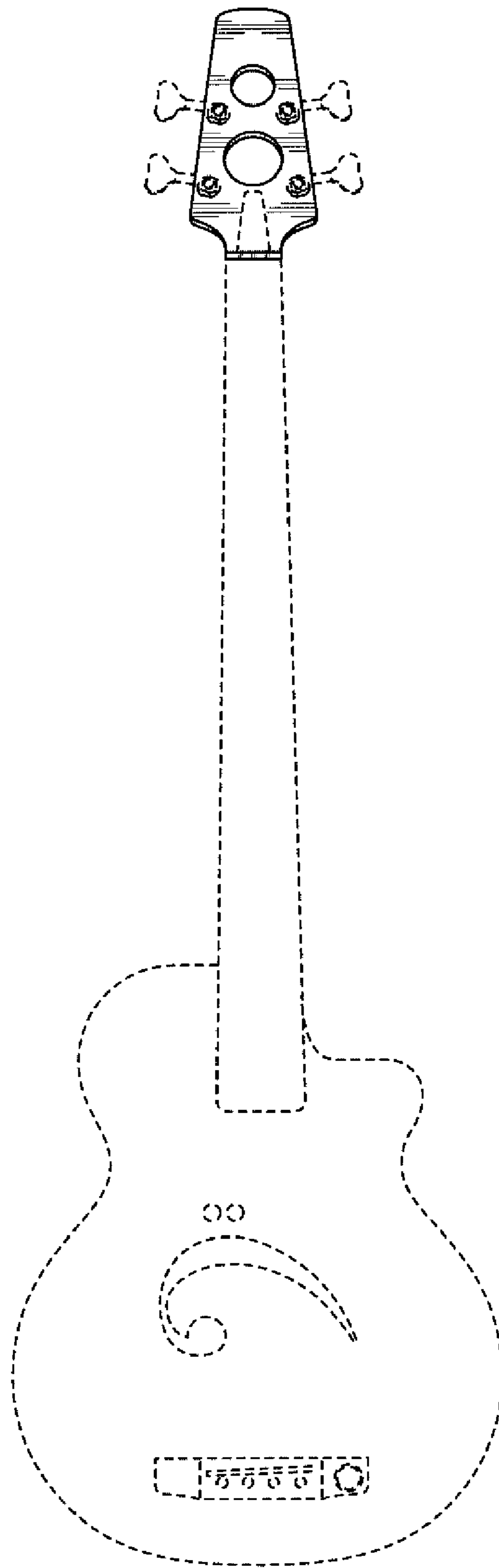


FIG. 6

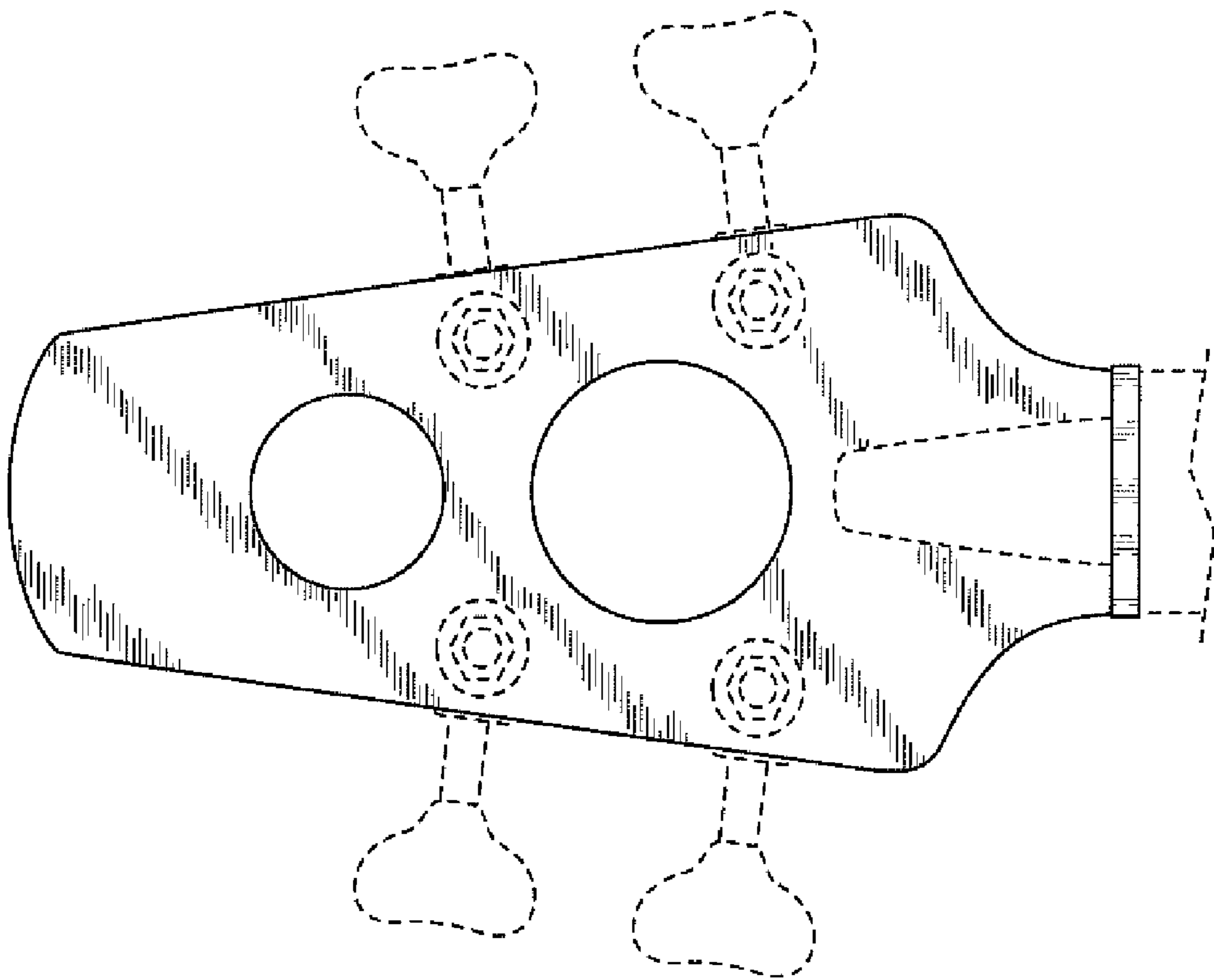


FIG. 7