



US00D559298S

(12) **United States Design Patent**  
**Sukenari et al.**

(10) **Patent No.:** **US D559,298 S**  
(45) **Date of Patent:** **\*\* Jan. 8, 2008**

(54) **VIDEO MAGNIFIER**

(75) Inventors: **Kazuhiro Sukenari**, Nagoya (JP);  
**Tetsuro Kato**, Nagoya (JP); **Shuntaro Hayashi**, Chita (JP)

(73) Assignee: **Elmo Co., Ltd.**, Aichi (JP)

(\*\*) Term: **14 Years**

(21) Appl. No.: **29/234,771**

(22) Filed: **Jul. 22, 2005**

(30) **Foreign Application Priority Data**

Feb. 7, 2005 (JP) ..... 2005-003059

(51) **LOC (8) Cl.** ..... **16-02**

(52) **U.S. Cl.** ..... **D16/221; D16/135**

(58) **Field of Classification Search** ..... D16/221,  
D16/225, 232, 235, 135; D14/514; 348/62-63;  
382/114, 298; 353/115, 119, 122  
See application file for complete search history.

(56) **References Cited**

**U.S. PATENT DOCUMENTS**

3,816,646	A *	6/1974	Cinque	.....	348/63
D245,934	S *	9/1977	Donaldson	.....	D16/225
D298,250	S *	10/1988	Kildall	.....	D16/135
4,928,170	A *	5/1990	Soloveychik et al.	.....	348/63
5,267,331	A *	11/1993	Siwoff	.....	348/62
D392,303	S *	3/1998	Hern	.....	D16/225
D430,588	S *	9/2000	Goldberg et al.	.....	D16/225
D470,161	S *	2/2003	Lee	.....	D16/135

D503,944	S *	4/2005	Adachi et al.	.....	D16/225
2005/0122396	A1 *	6/2005	Mizukami et al.	.....	348/63
2005/0162512	A1 *	7/2005	Seakins	.....	348/62
2006/0203093	A1 *	9/2006	Trulaske	.....	348/156

\* cited by examiner

*Primary Examiner*—Ian Simmons

*Assistant Examiner*—Wan Laymon

(74) *Attorney, Agent, or Firm*—William L. Androlia; H. Henry Koda

(57) **CLAIM**

The ornamental design for a video magnifier, as shown and described.

**DESCRIPTION**

FIG. 1 is a front elevational view of a video magnifier showing our new design;

FIG. 2 is a rear elevational view thereof;

FIG. 3 is a top plan view thereof;

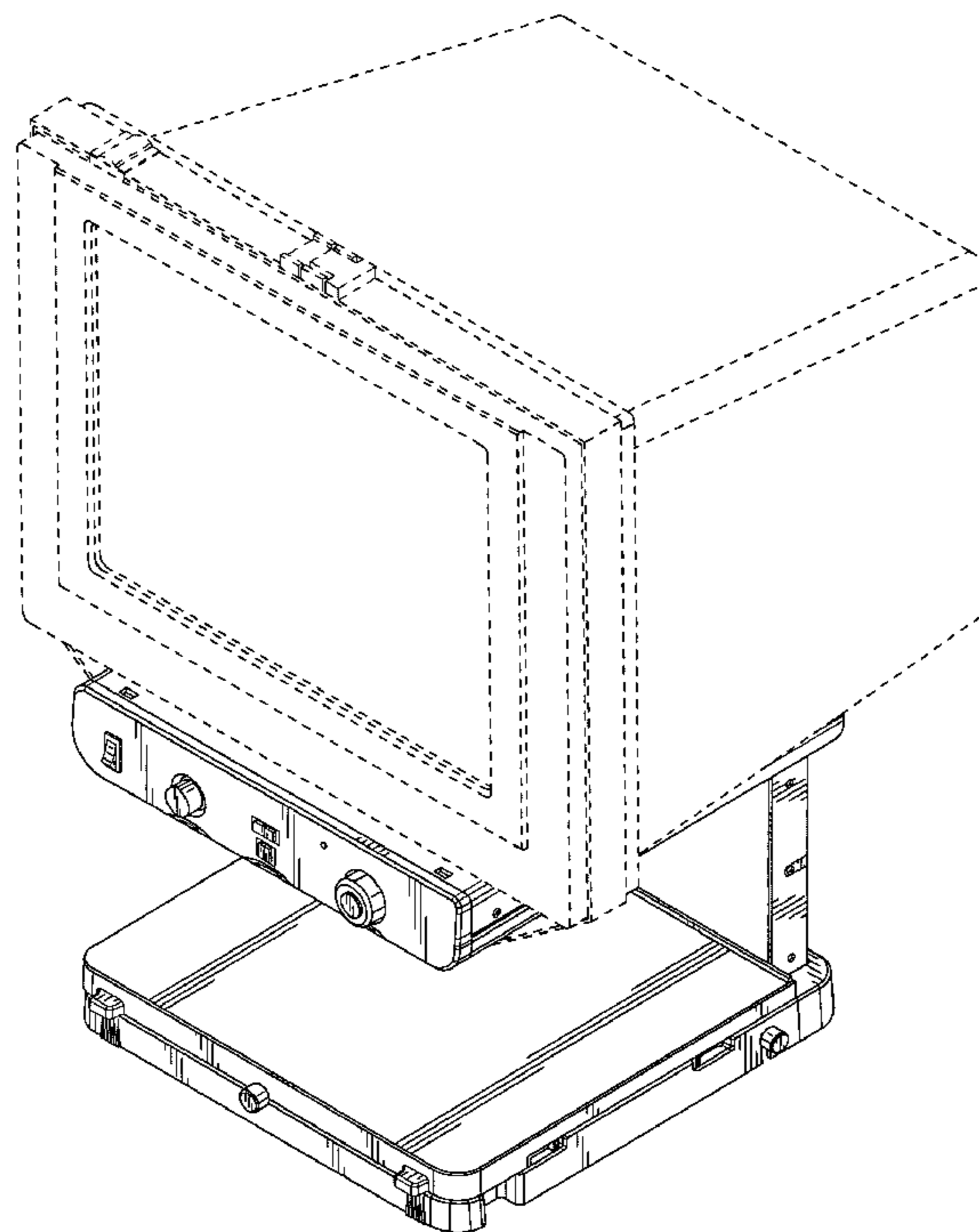
FIG. 4 is a right side elevational view thereof;

FIG. 5 is a left side elevational view thereof;

FIG. 6 is a perspective view taken from the front, top and right side of the video magnifier; and,

FIG. 7 is a perspective view taken from the front, top and right side of the video magnifier thereof, with the monitor shown in broken line for the purpose of illustrating only and forms no part of the claimed design.

**1 Claim, 7 Drawing Sheets**



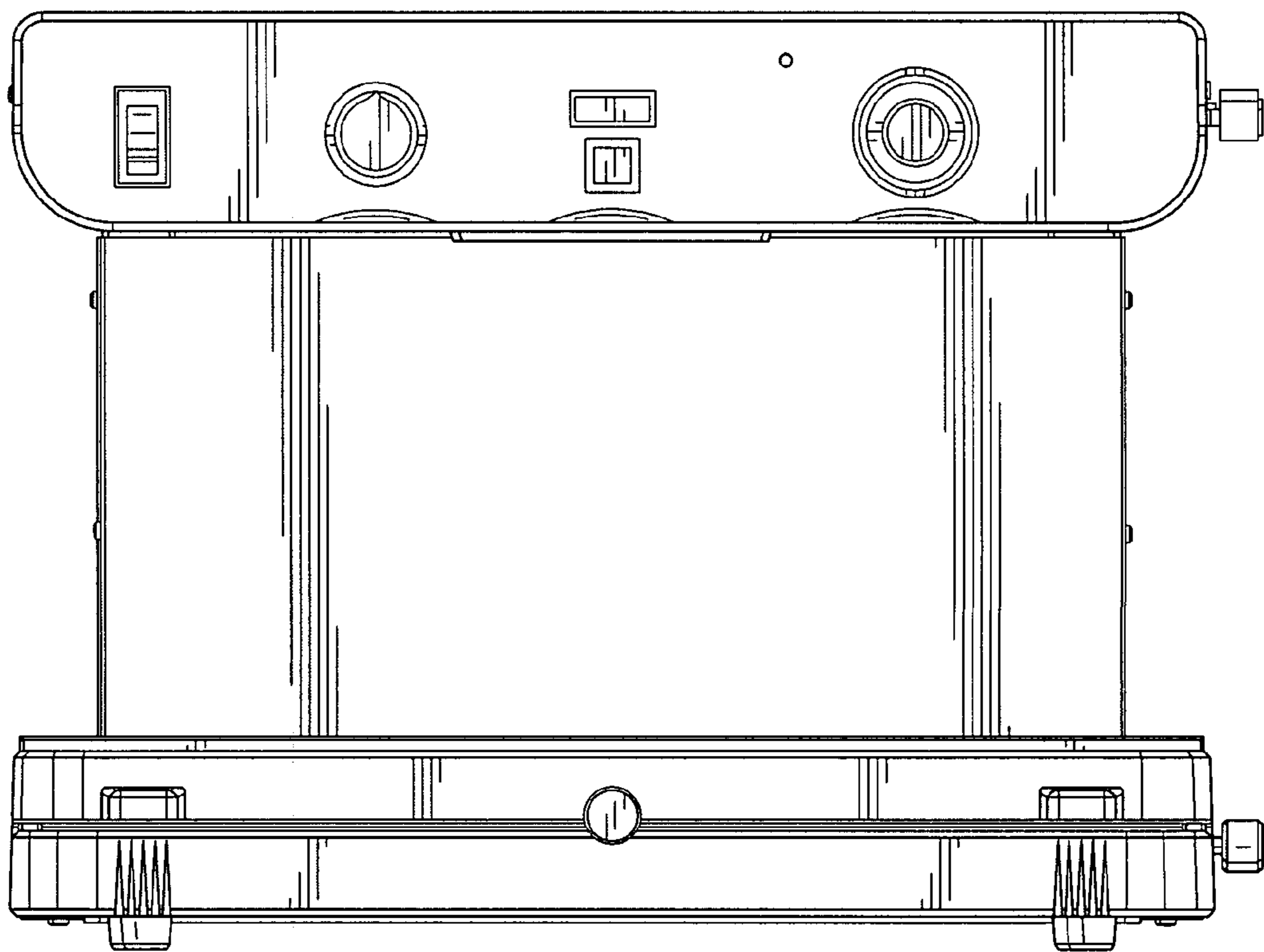


FIG. 1

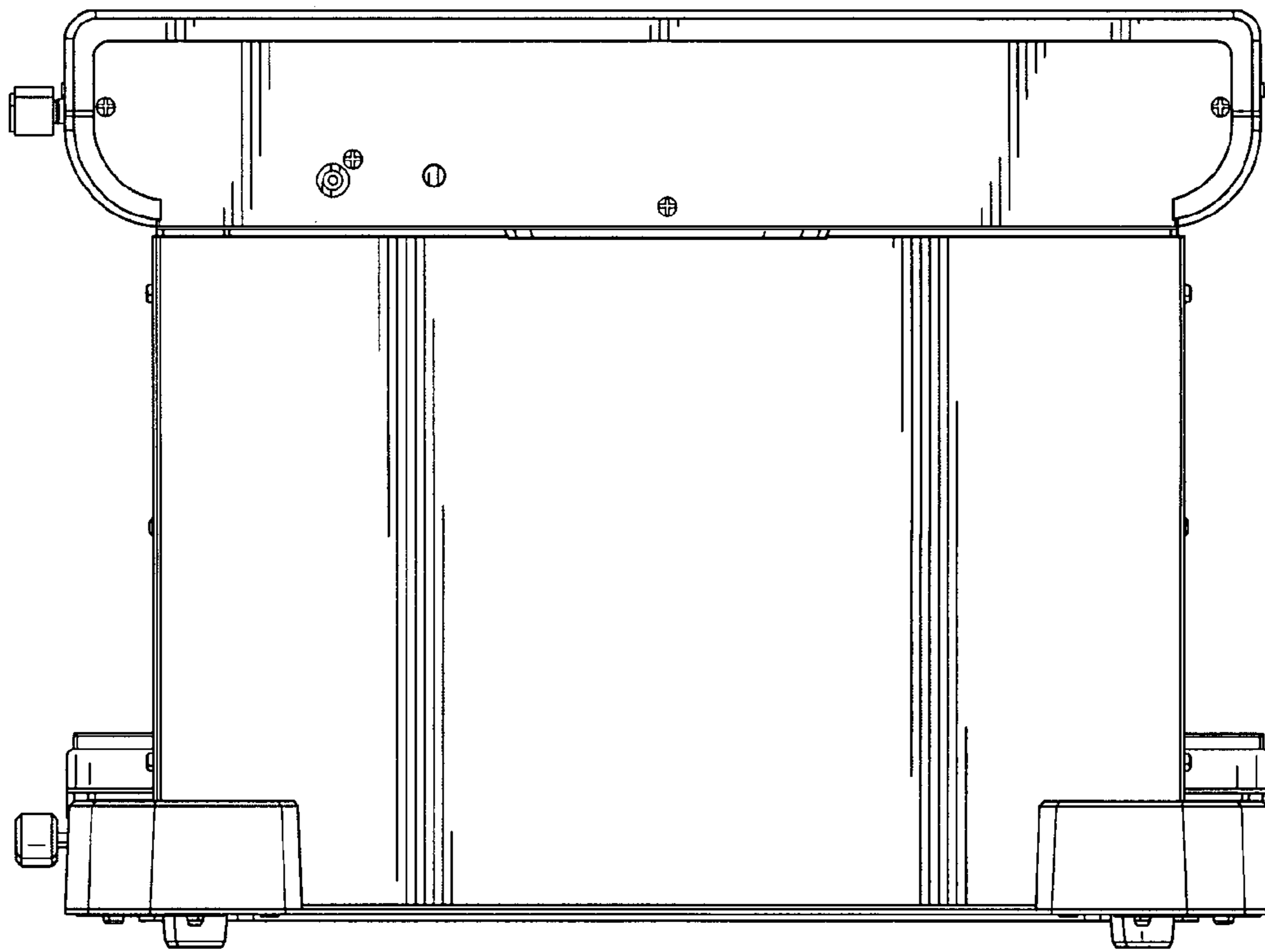


FIG. 2

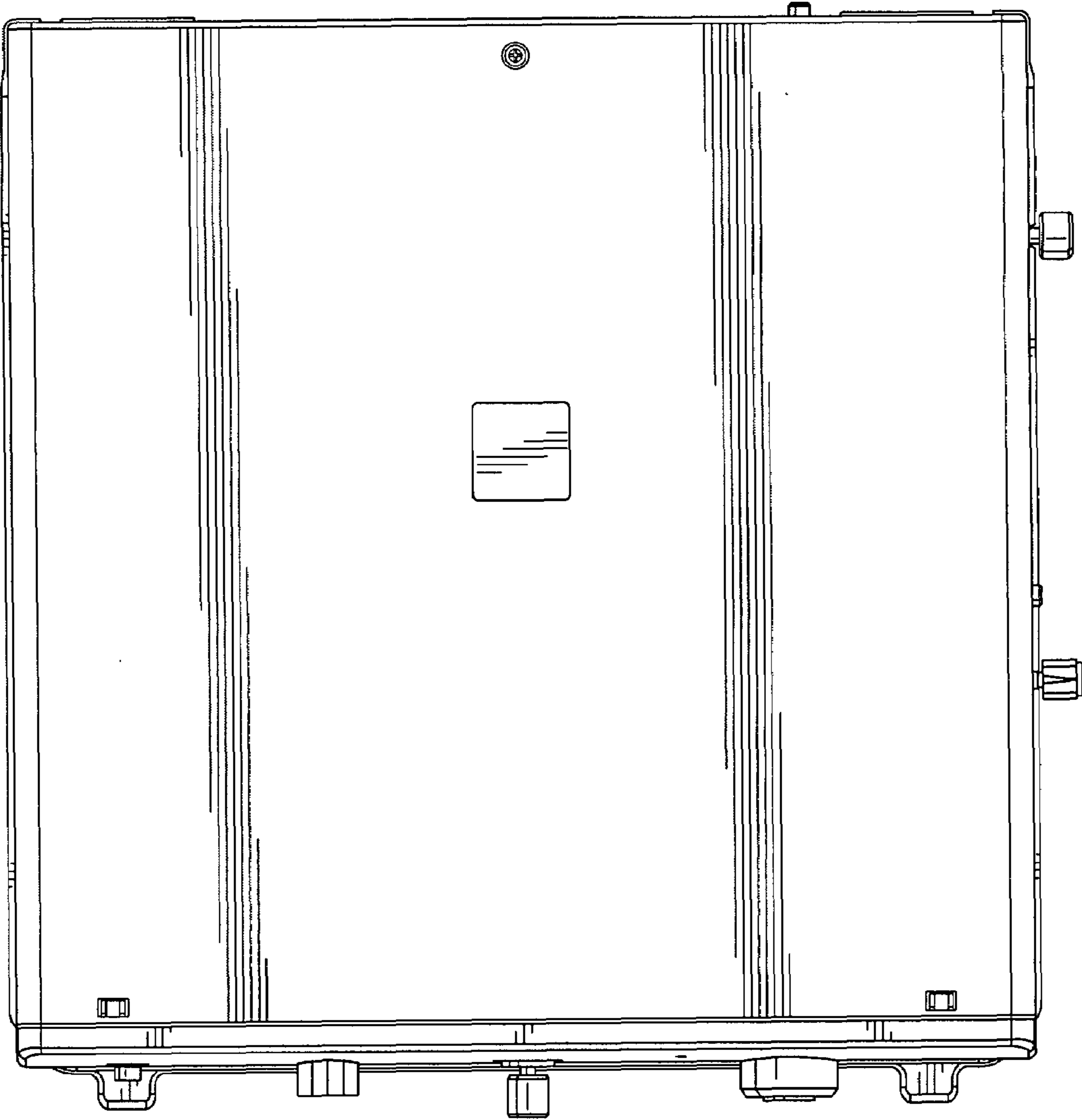


FIG. 3

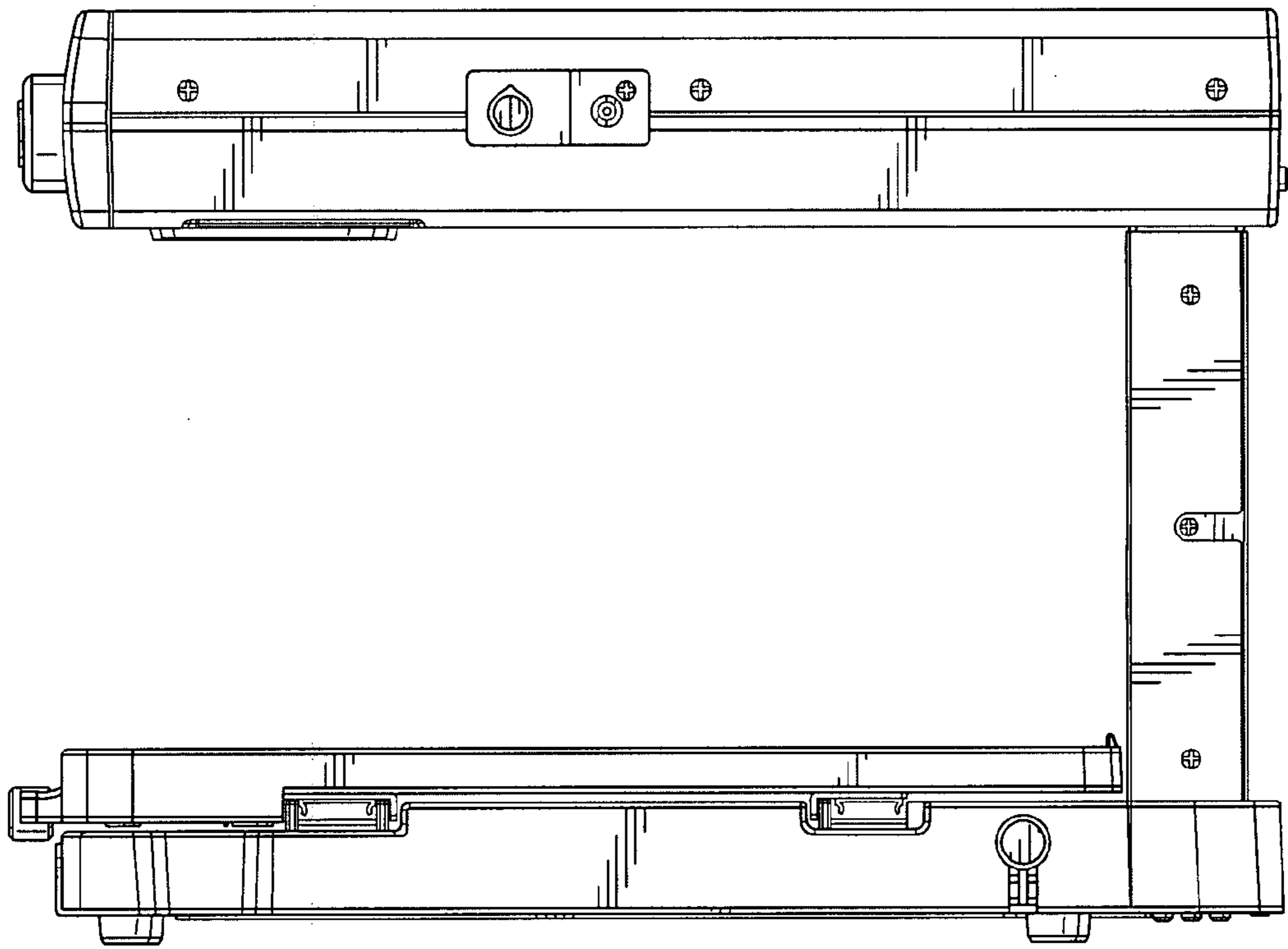


FIG. 4

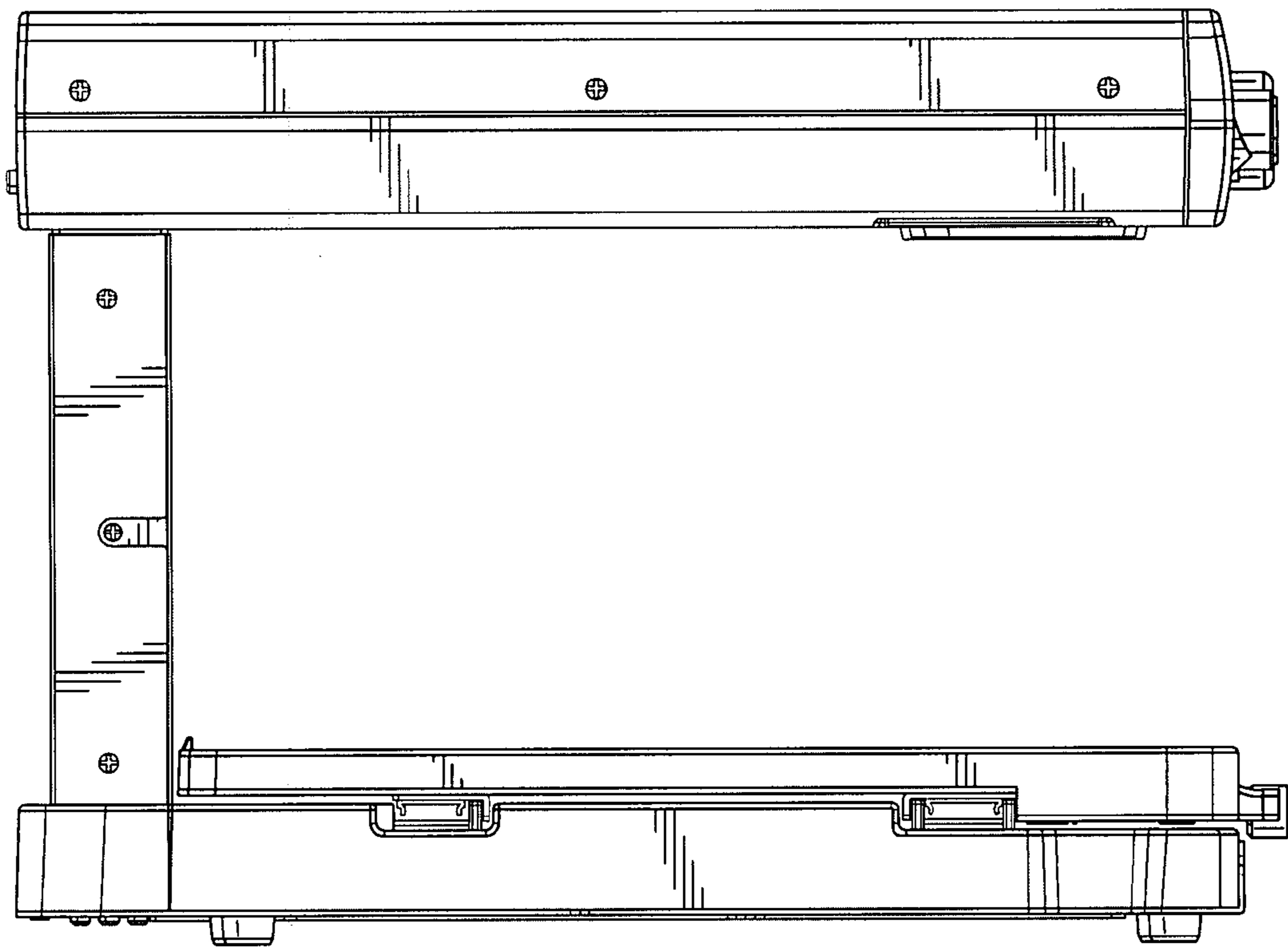


FIG. 5



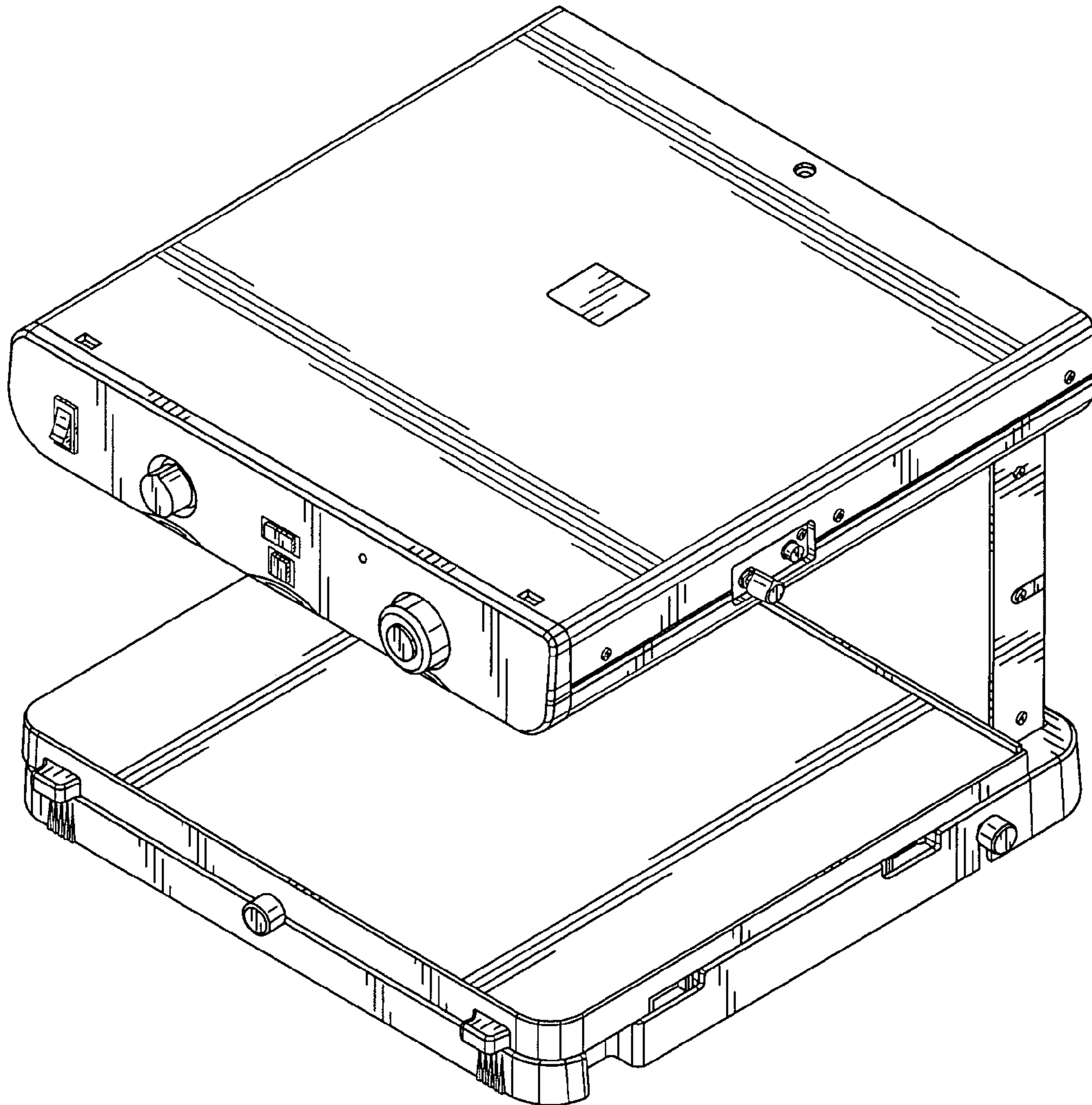


FIG. 6

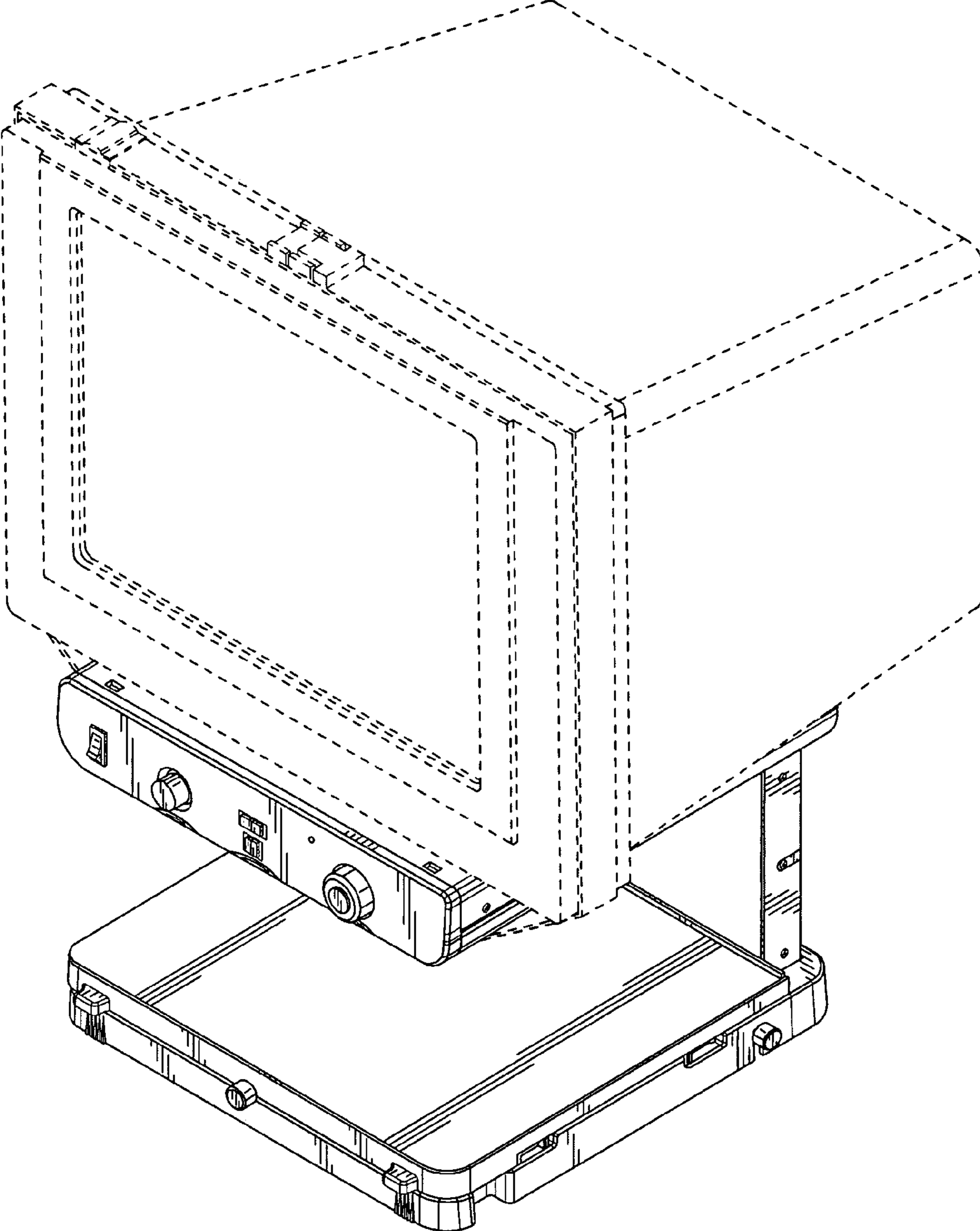


FIG. 7