



US00D559297S

(12) **United States Design Patent**  
**Nakamura**

(10) **Patent No.:** **US D559,297 S**  
(45) **Date of Patent:** **\*\* Jan. 8, 2008**

(54) **DIGITAL CAMERA**

D546,862 S \* 7/2007 Tainaka ..... D16/219

(75) Inventor: **Shuhei Nakamura**, Tokyo (JP)

FOREIGN PATENT DOCUMENTS

(73) Assignee: **PENTAX Corporation**, Tokyo (JP)

JP 1242362 S 6/2005

(\*\*) Term: **14 Years**

\* cited by examiner

(21) Appl. No.: **29/264,124**

*Primary Examiner*—Adir Aronovich

(22) Filed: **Aug. 4, 2006**

(74) *Attorney, Agent, or Firm*—Sughrue Mion Pllc.

(30) **Foreign Application Priority Data**

(57) **CLAIM**

Feb. 6, 2006 (JP) ..... 2006-002542

The ornamental design for a digital camera, as shown and described.

(51) **LOC (8) Cl.** ..... **16-05**

**DESCRIPTION**

(52) **U.S. Cl.** ..... **D16/219**

FIG. 1 is a perspective view of the top, front and right side of a digital camera showing my new design;

(58) **Field of Classification Search** ..... D16/200–204,

D16/208, 218, 219; 348/373–376; 358/909.1;

396/535–541

FIG. 2 is a top plan view thereof;

FIG. 3 is a front elevational view thereof;

See application file for complete search history.

FIG. 4 is a left side elevational view thereof;

FIG. 5 is a right side elevational view thereof;

(56) **References Cited**

U.S. PATENT DOCUMENTS

D501,497 S \* 2/2005 Hayamizu ..... D16/219

D518,499 S \* 4/2006 Iue ..... D16/219

D522,560 S \* 6/2006 Inaba ..... D16/202

D525,275 S \* 7/2006 Nagayama et al. .... D16/202

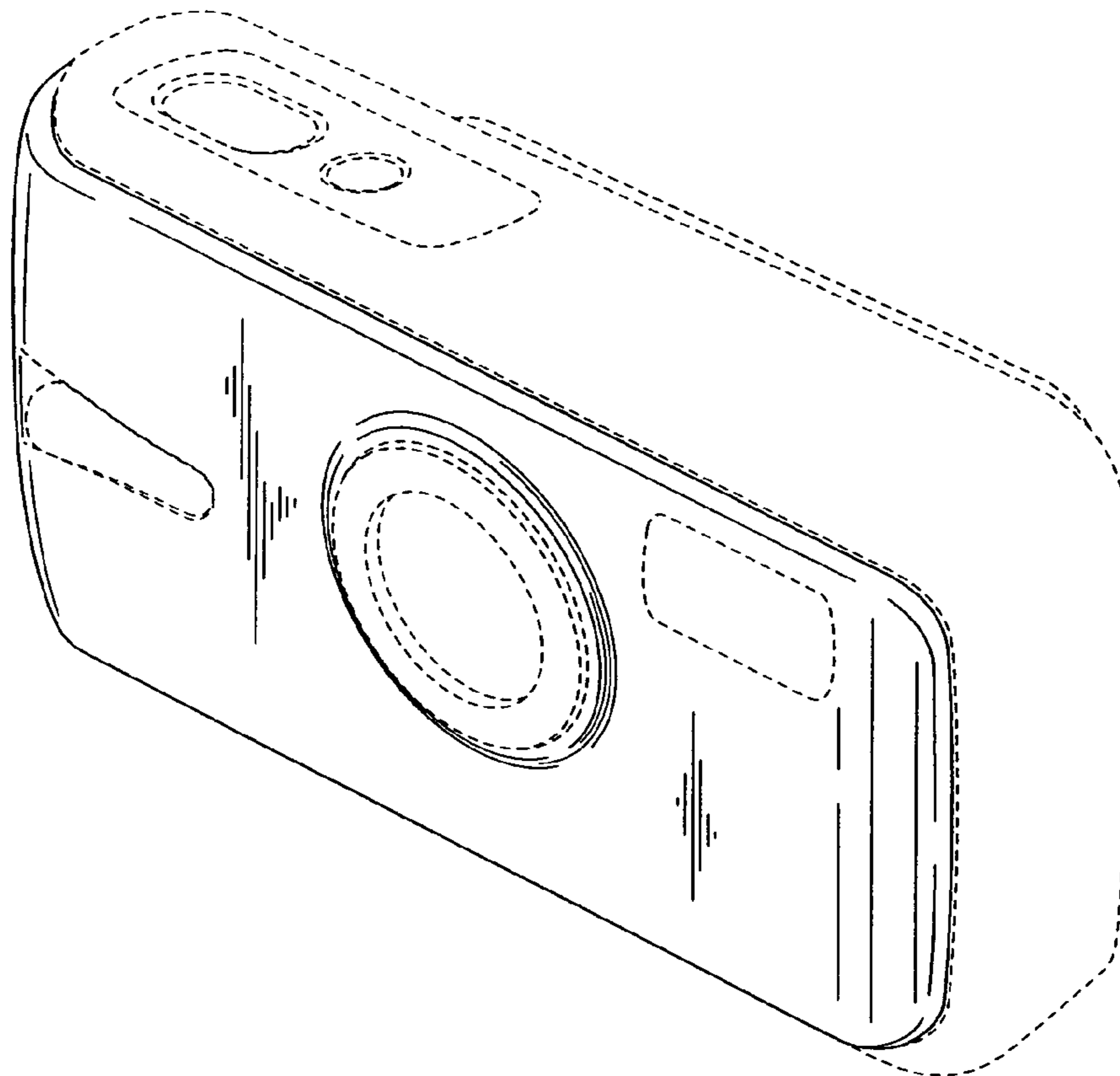
D526,675 S \* 8/2006 Nasu ..... D16/219

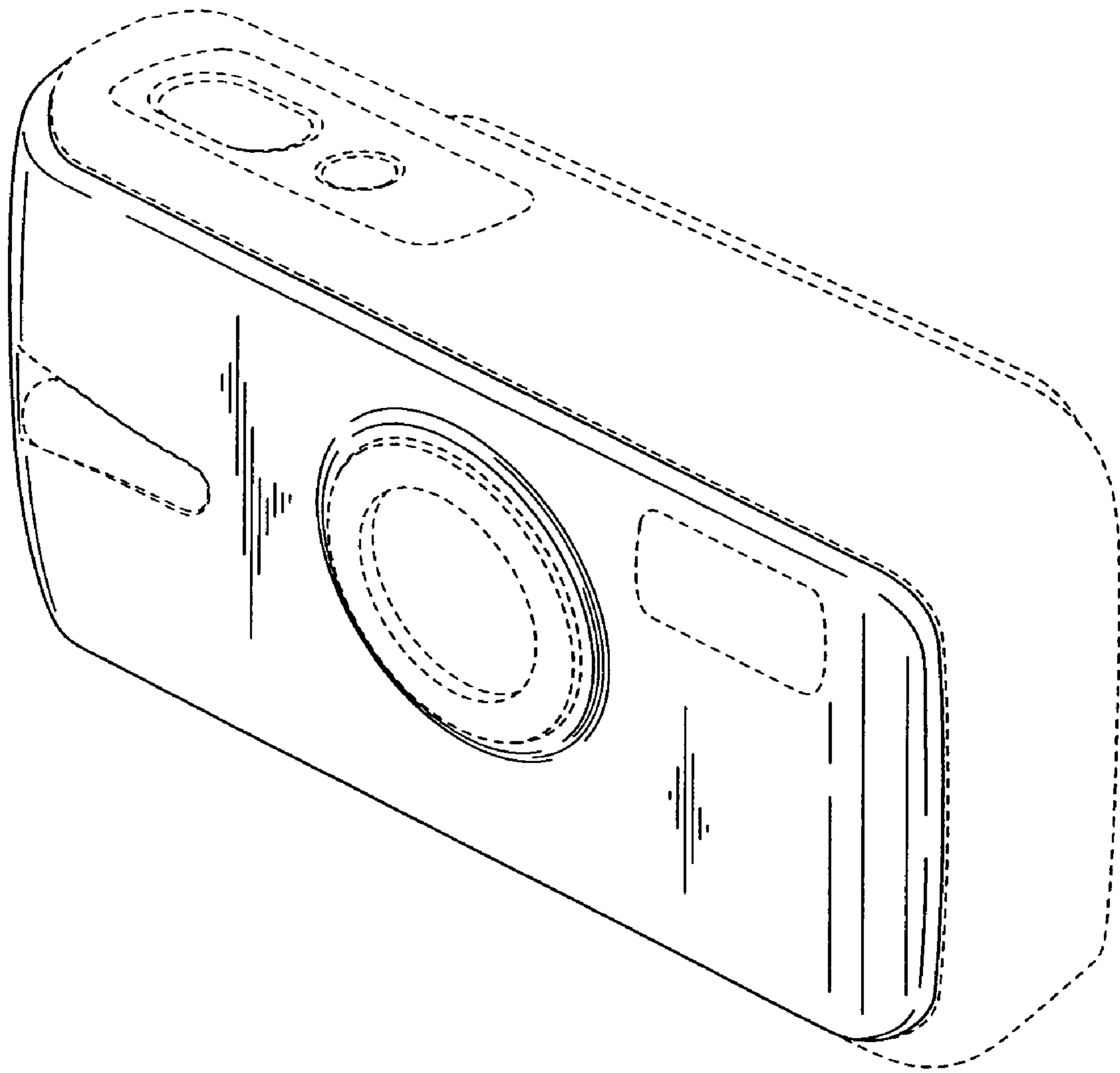
FIG. 6 is a rear elevational view thereof; and,

FIG. 7 is a bottom plan view thereof.

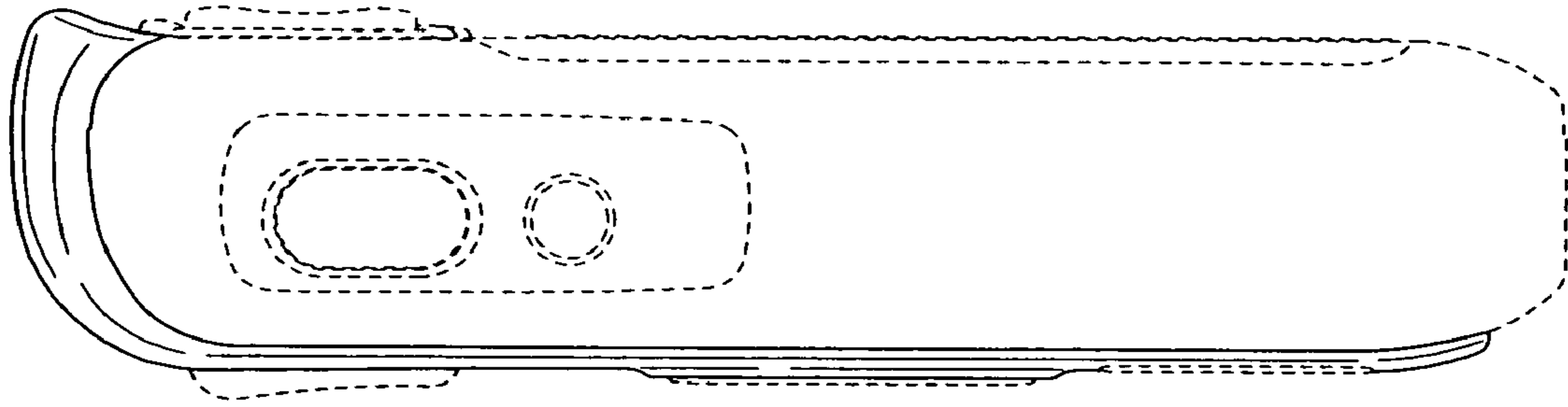
The portions shown in broken lines are for illustrative purposes only and form no part of the claimed design.

**1 Claim, 4 Drawing Sheets**

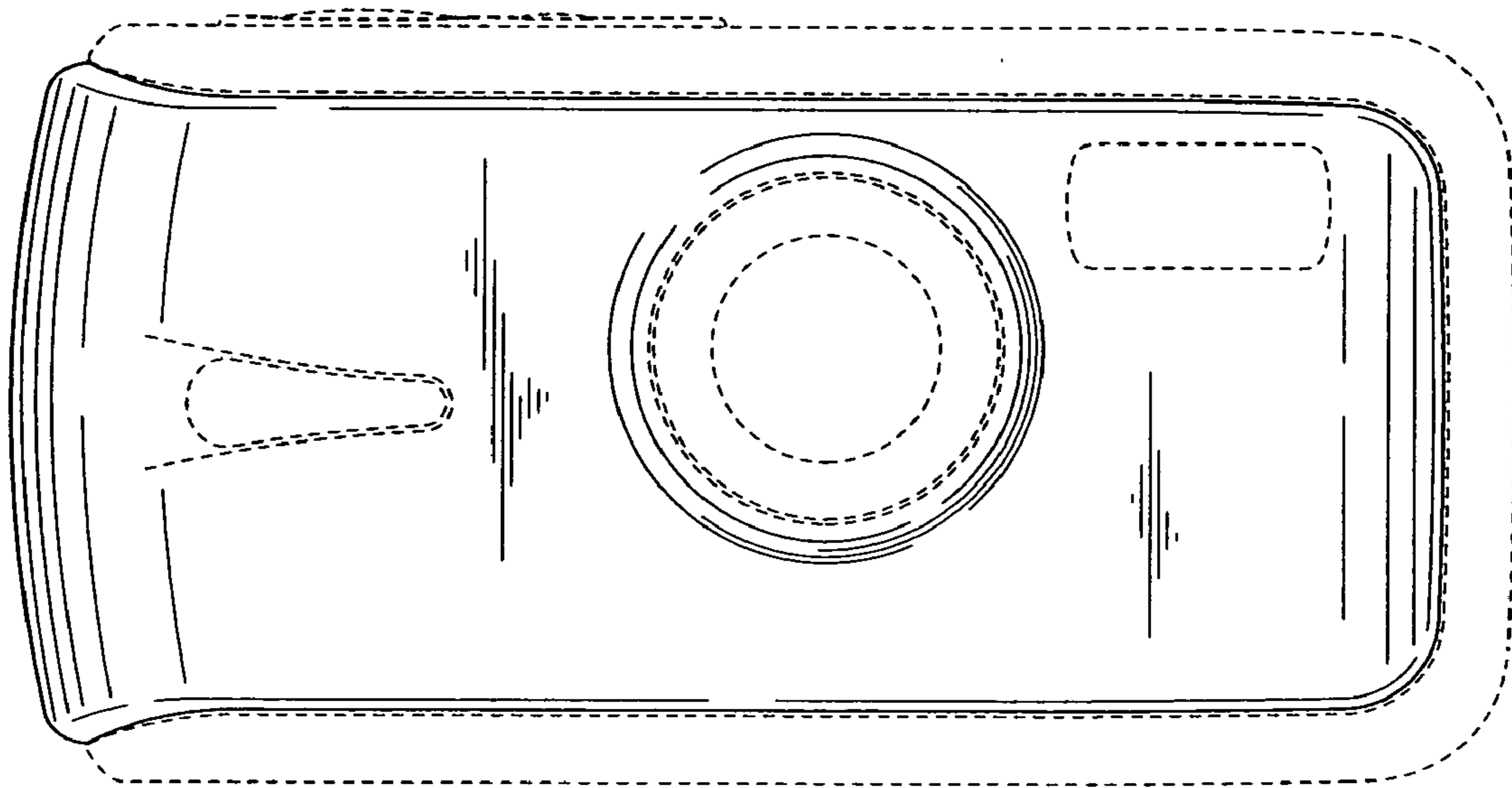




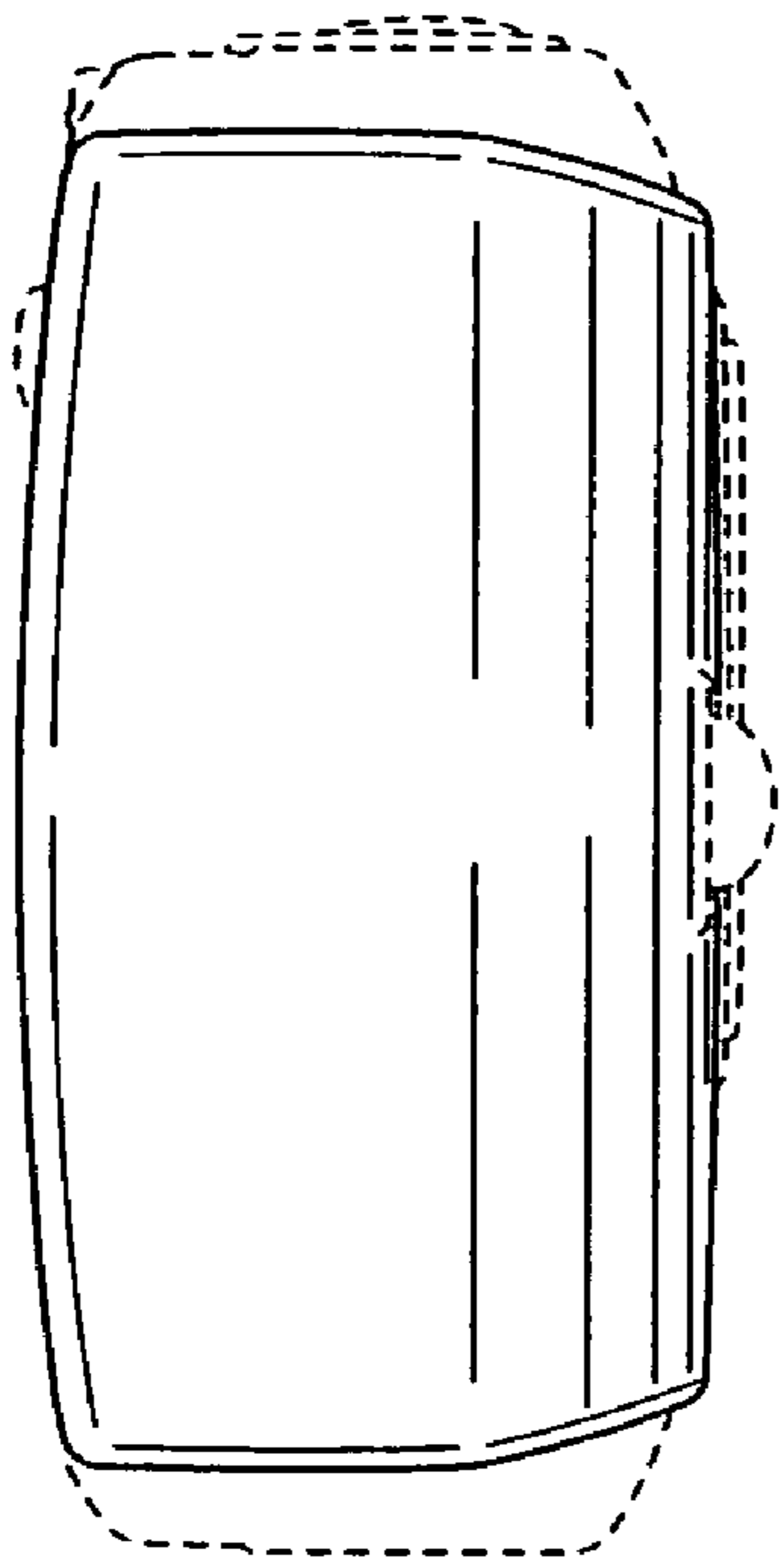
**FIG. 1**



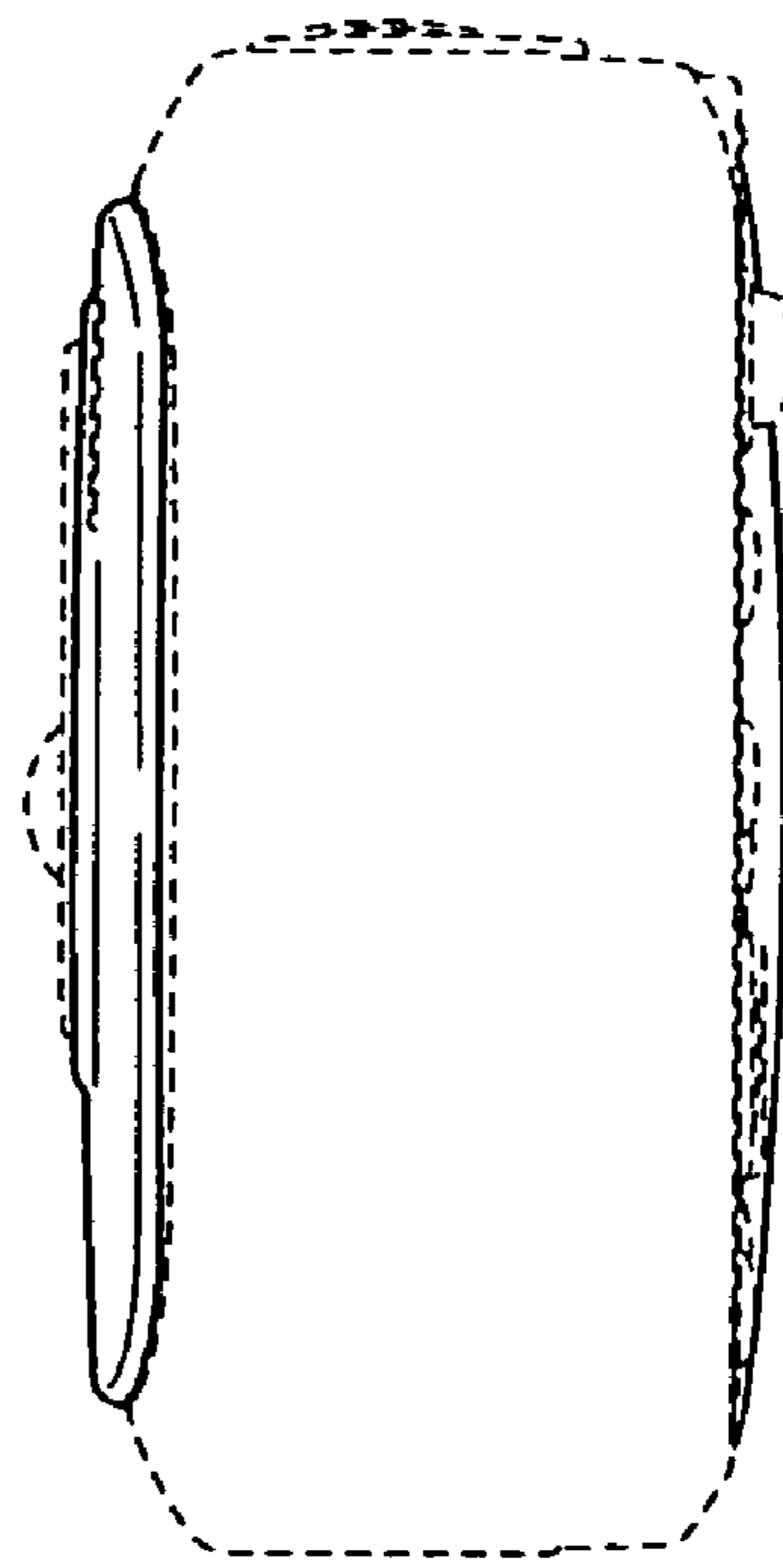
*FIG. 2*



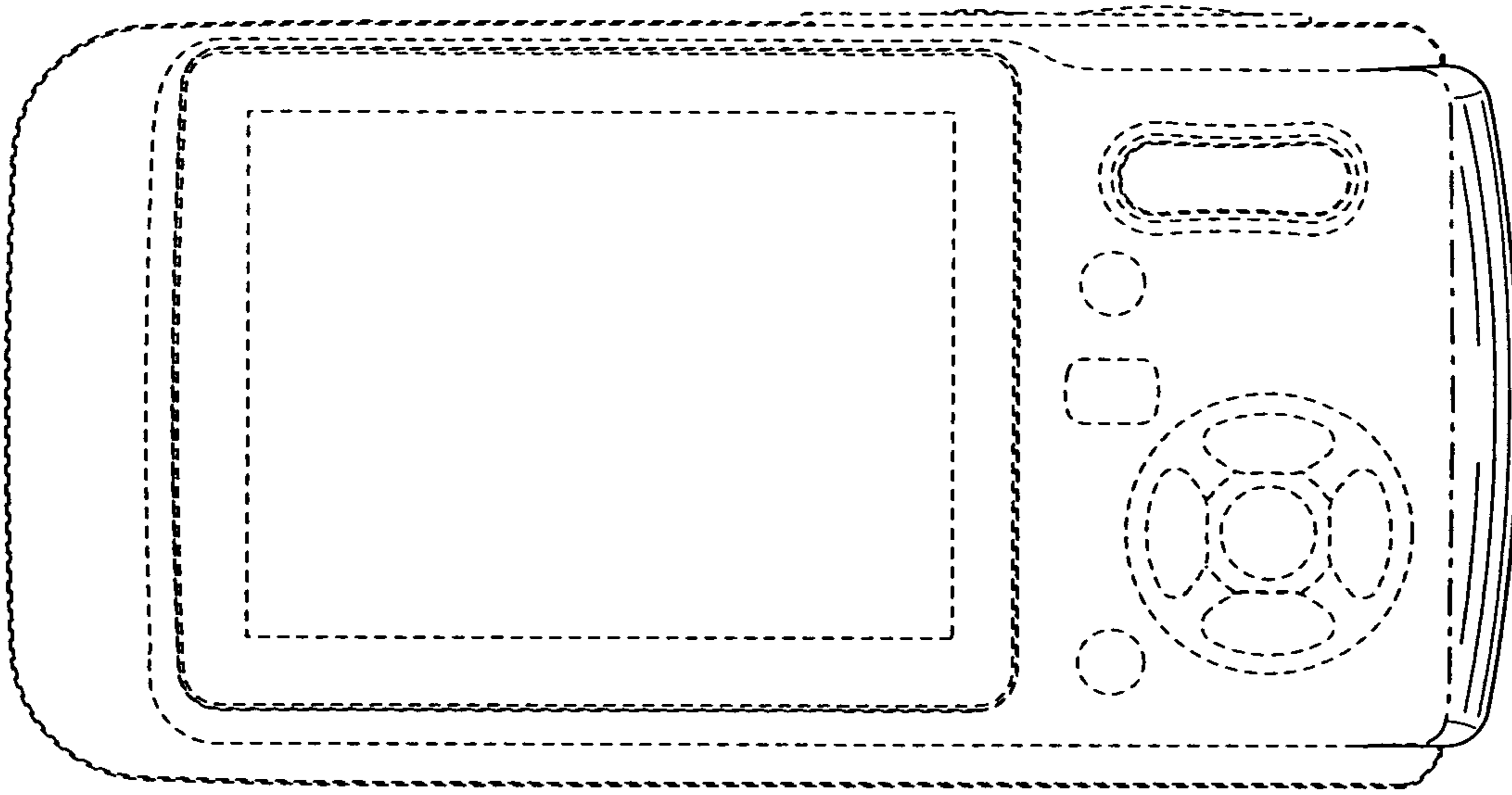
*FIG. 3*



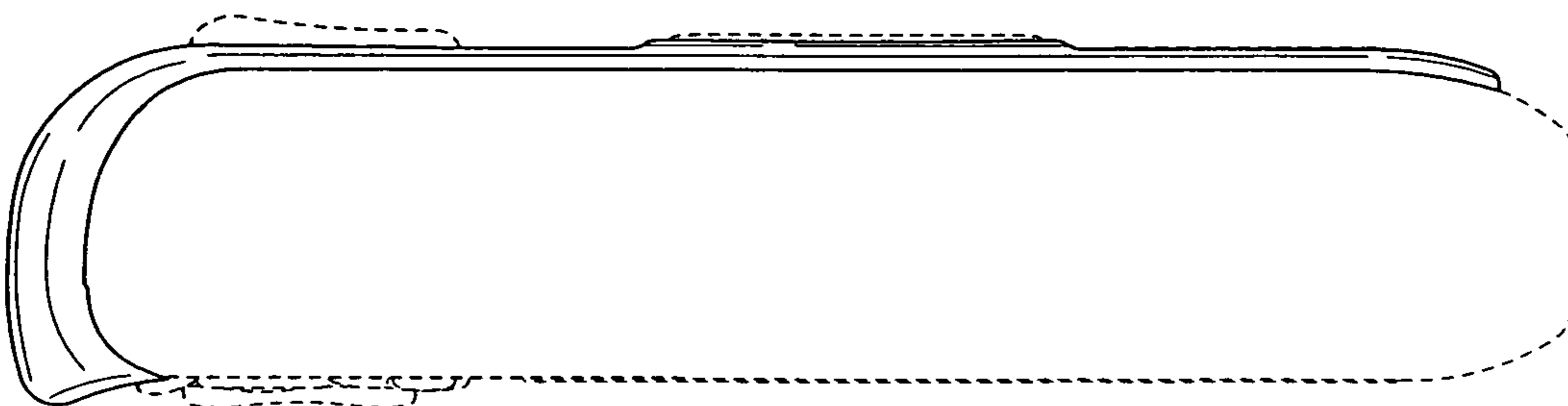
*FIG. 4*



*FIG. 5*



*FIG. 6*



*FIG. 7*