



US00D559295S

(12) **United States Design Patent**
Imai

(10) **Patent No.:** **US D559,295 S**
(45) **Date of Patent:** **** Jan. 8, 2008**

(54) **ELECTRONIC CAMERA**

D532,030 S * 11/2006 Yoshida D16/202
D532,810 S * 11/2006 Kim D16/219

(75) Inventor: **Masazumi Imai**, Tokyo (JP)

* cited by examiner

(73) Assignee: **Fujifilm Corporation**, Tokyo (JP)

Primary Examiner—Adir Aronovich
(74) *Attorney, Agent, or Firm*—Young & Thompson

(**) Term: **14 Years**

(21) Appl. No.: **29/262,728**

(57) **CLAIM**

(22) Filed: **Jul. 11, 2006**

The ornamental design for an electronic camera, as shown and described.

(30) **Foreign Application Priority Data**

DESCRIPTION

Jan. 18, 2006 (JP) 2006-000851

FIG. 1 is a top, front and left side view of an electronic camera showing my new design;

(51) **LOC (8) Cl.** **16-01**

FIG. 2 is a front elevational view thereof;

(52) **U.S. Cl.** **D16/219; D16/202**

FIG. 3 is a rear elevational view thereof;

(58) **Field of Classification Search** D16/200–204,

FIG. 4 is a top plan view thereof;

D16/208, 218, 219; 348/373–376; 358/909.1;
396/535–541

FIG. 5 is a bottom plan view thereof;

See application file for complete search history.

FIG. 6 is a side elevational view thereof from the left of FIG. 2; and,

(56) **References Cited**

FIG. 7 is a side elevational view thereof from the right of FIG. 2.

U.S. PATENT DOCUMENTS

The portions of the camera in broken lines are shown for illustrative purposes only and form no part of the claimed design.

D406,600 S *	3/1999	Tanaka	D16/218
D467,603 S *	12/2002	Senda	D16/219
D503,946 S *	4/2005	Chao et al.	D16/202
D521,038 S *	5/2006	Takagi	D16/202
D524,348 S *	7/2006	Nagayama et al.	D16/202
D528,579 S *	9/2006	Yasutomi	D16/202

1 Claim, 4 Drawing Sheets

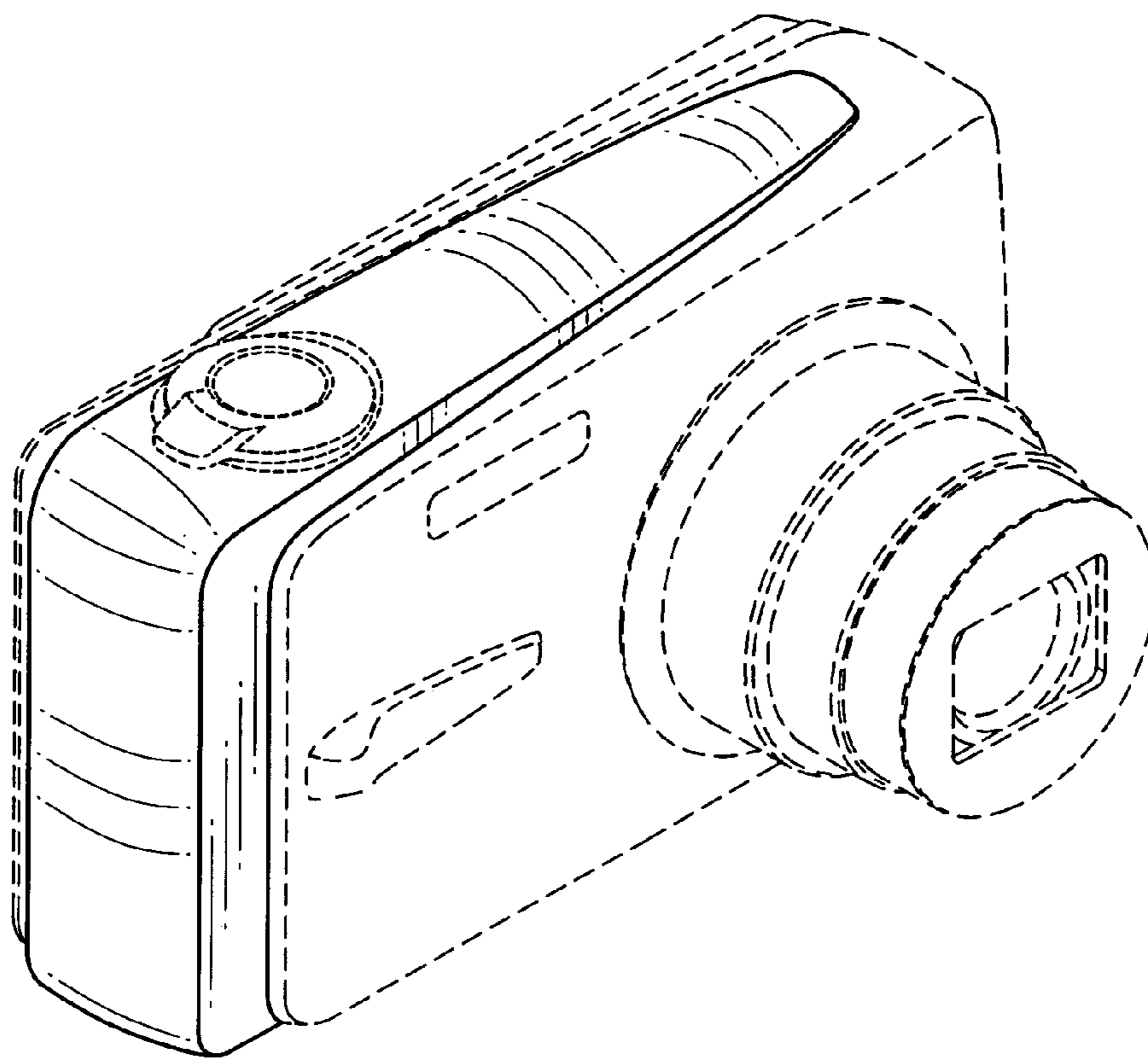


FIG.1

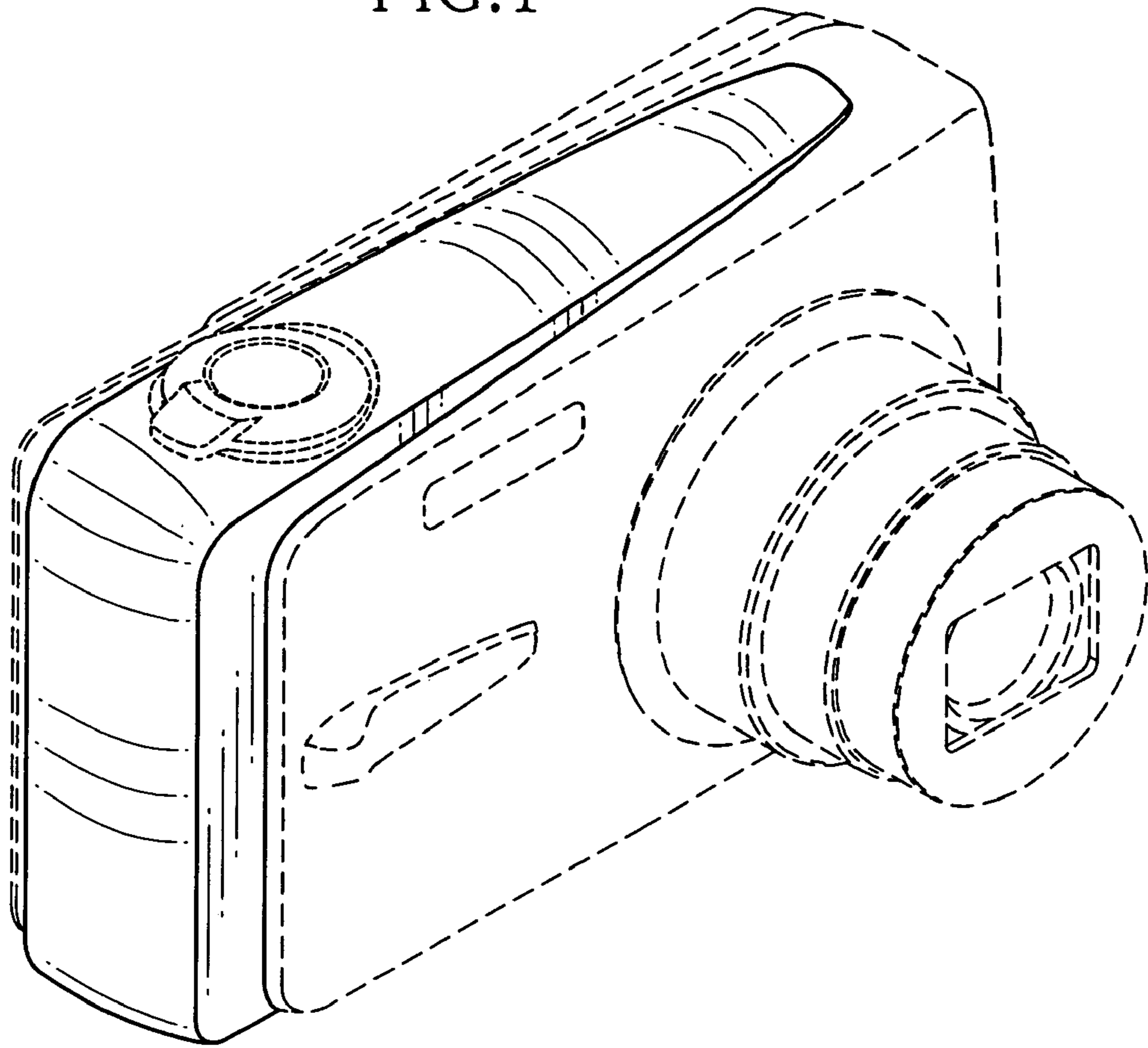


FIG.2

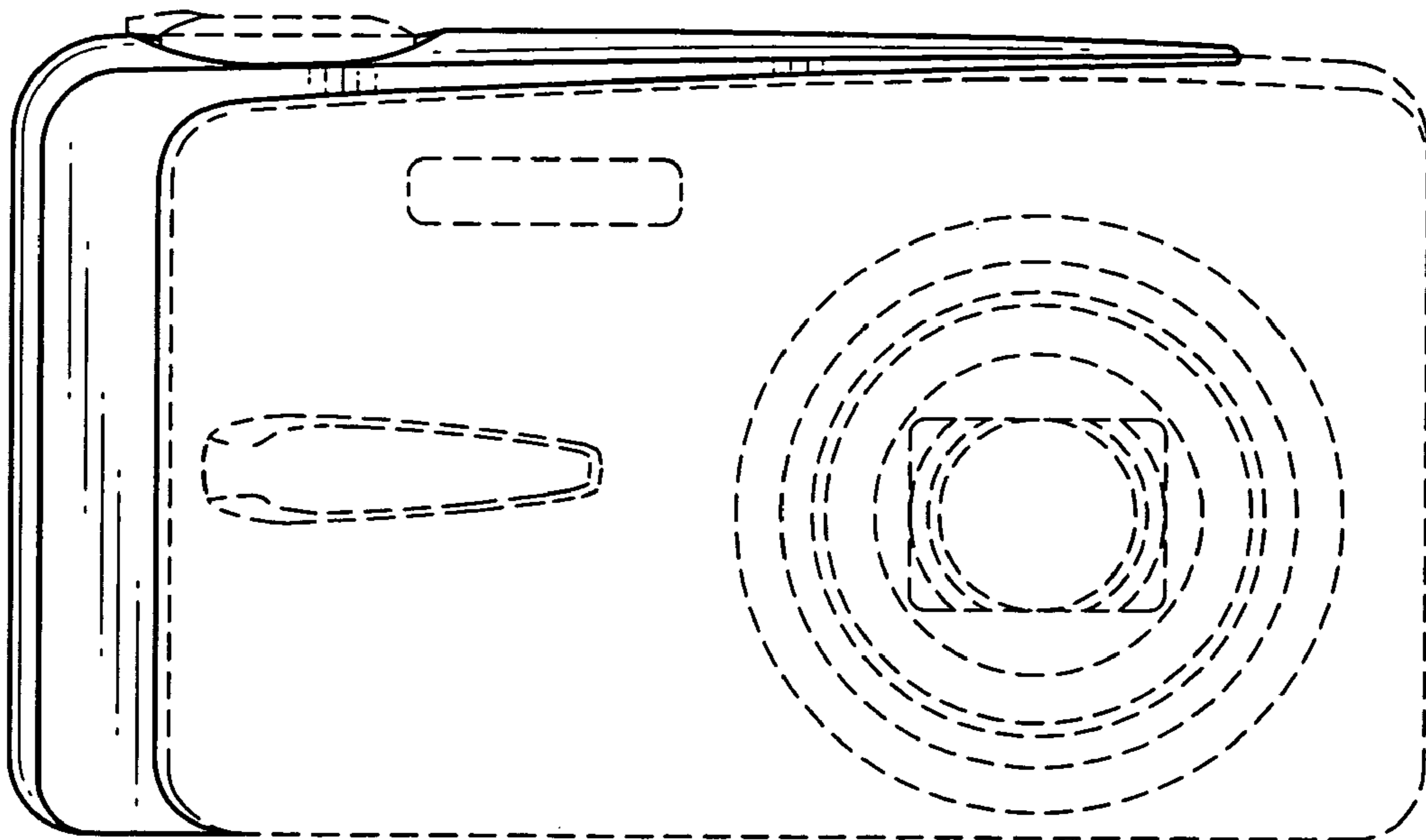


FIG.3

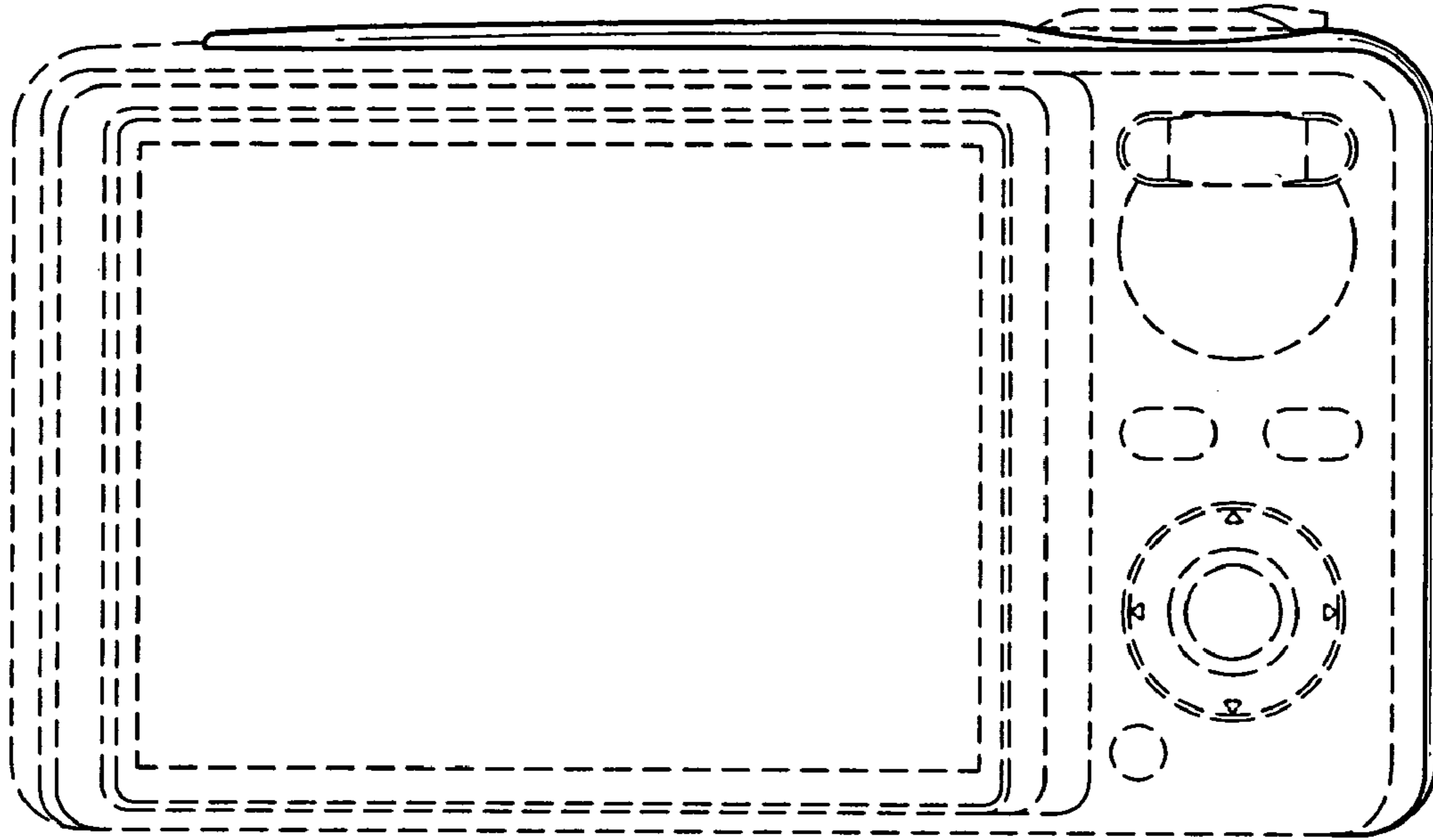


FIG.4

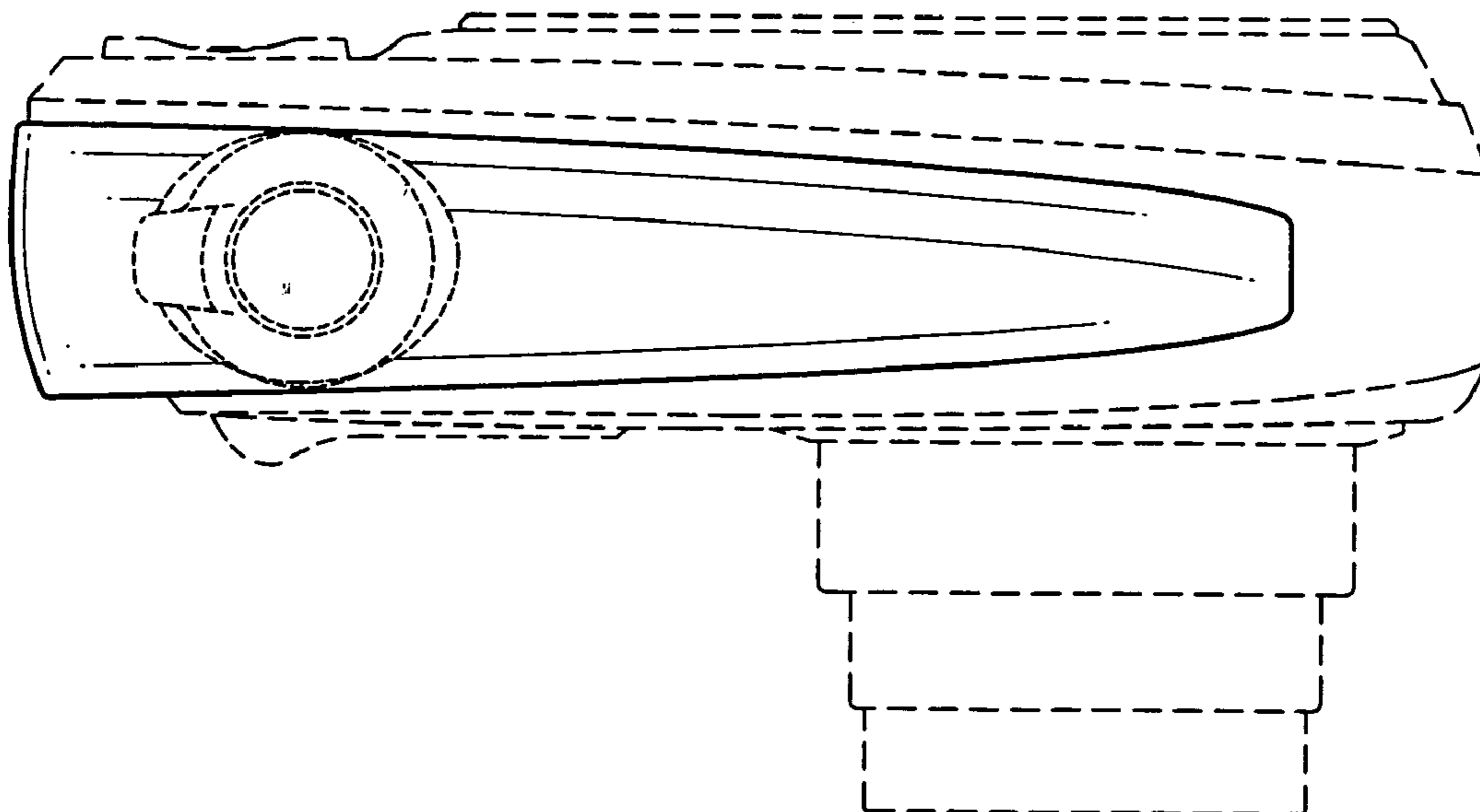


FIG.5

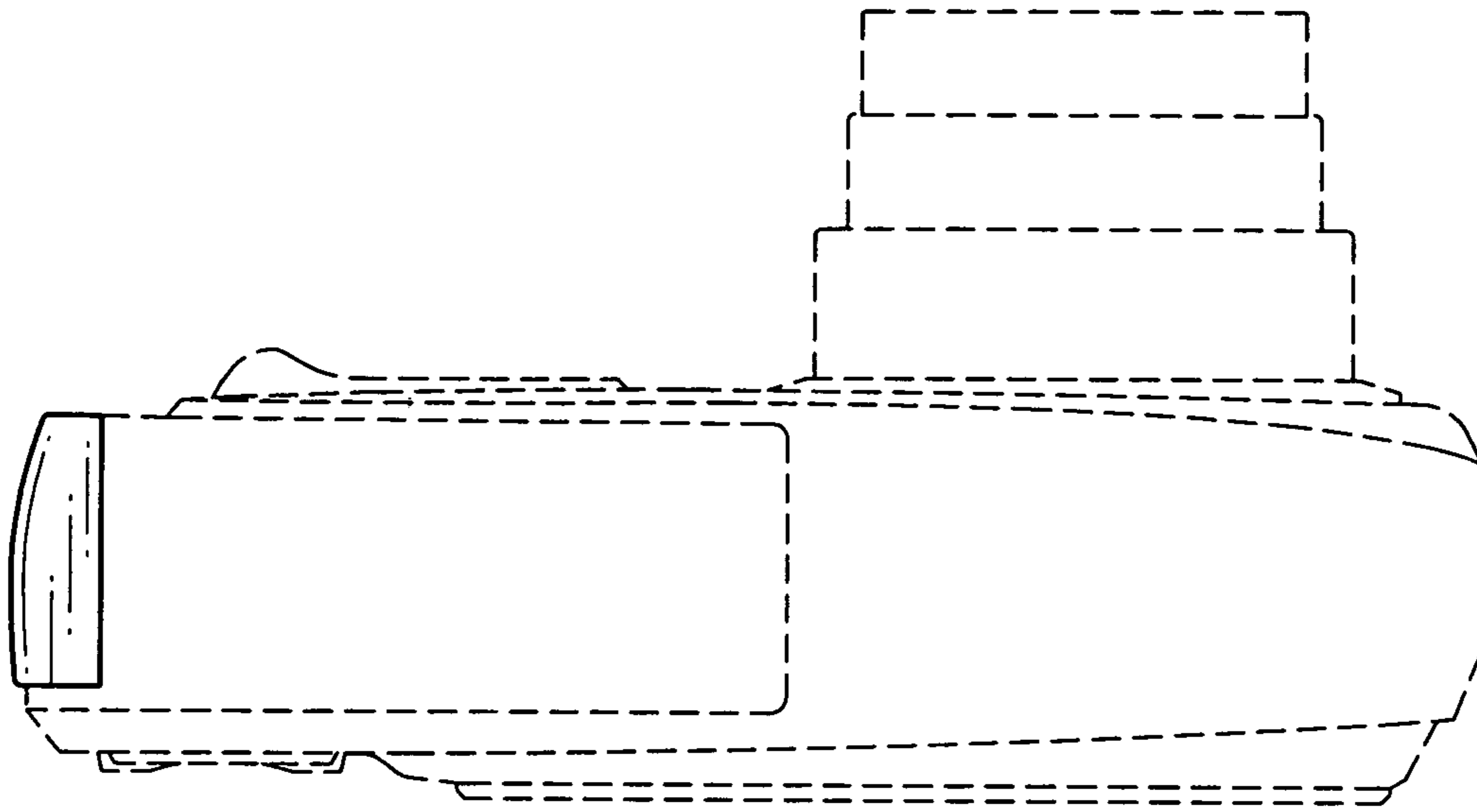


FIG.6

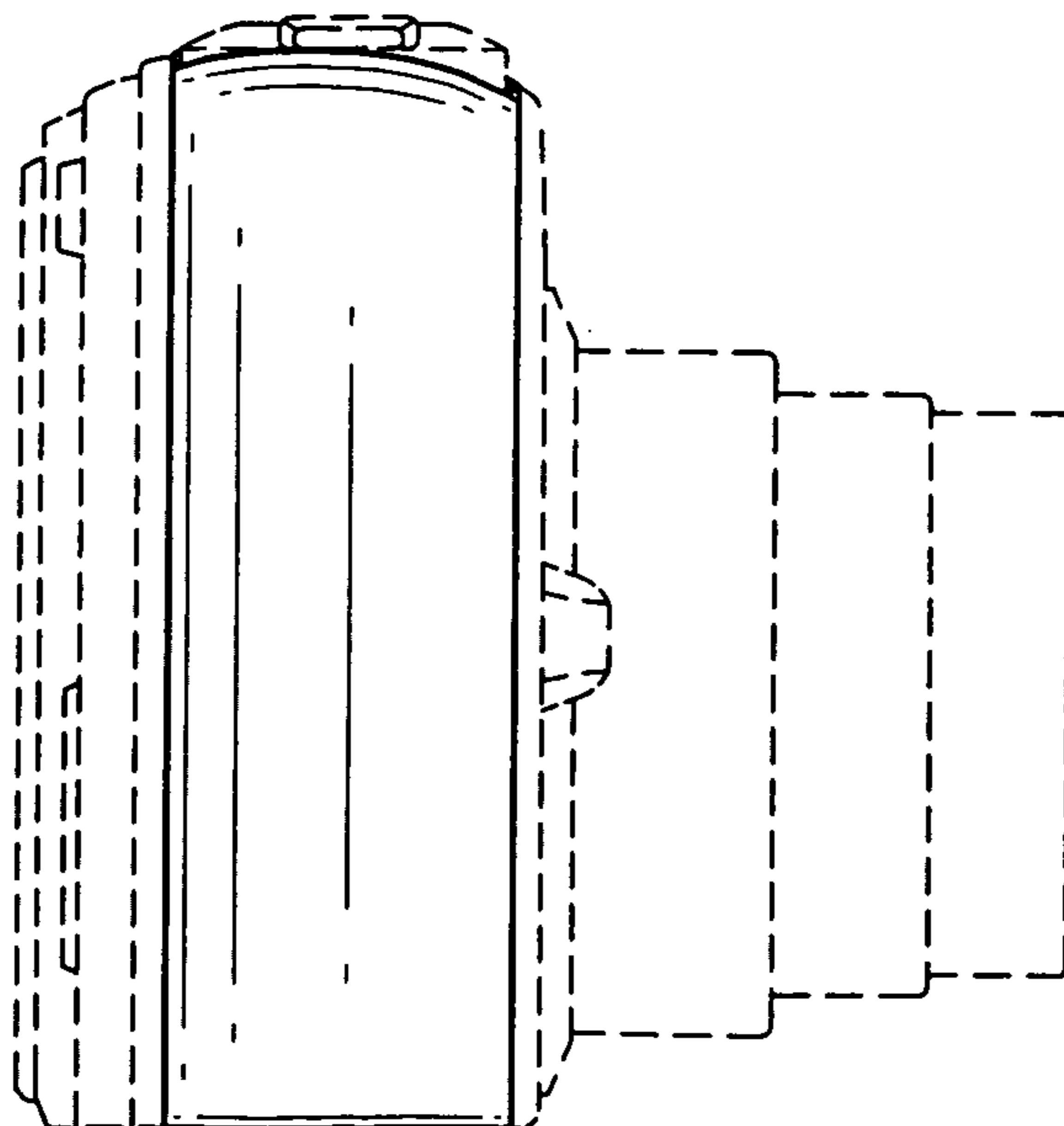


FIG. 7

