



US00D559294S

(12) **United States Design Patent**  
**Hibi**

(10) **Patent No.:** **US D559,294 S**

(45) **Date of Patent:** **\*\* Jan. 8, 2008**

(54) **CAMERA**

(75) Inventor: **Keita Hibi**, Tokyo (JP)

(73) Assignee: **Sony Corporation**, Tokyo (JP)

(\*\*) Term: **14 Years**

(21) Appl. No.: **29/260,655**

(22) Filed: **May 31, 2006**

(30) **Foreign Application Priority Data**

Jan. 19, 2006 (JP) ..... 2006-000995  
Jan. 19, 2006 (JP) ..... 2006-000996

(51) **LOC (8) Cl.** ..... **16-05**

(52) **U.S. Cl.** ..... **D16/219; D16/212**

(58) **Field of Classification Search** ..... D16/200–205,  
D16/208–209, 218–219, 136; 348/373–376,  
348/14.01–14.1; 396/535–541, 448, 349,  
396/176, 419, 429–430; 358/906, 909.1  
See application file for complete search history.

(56) **References Cited**

**U.S. PATENT DOCUMENTS**

4,556,304 A \* 12/1985 Fukuda ..... 396/448  
4,557,574 A \* 12/1985 Kohno et al. .... 396/448  
6,305,852 B1 \* 10/2001 Suzuki et al. .... 396/349  
D453,942 S \* 2/2002 Suzuki et al. .... D16/219  
6,347,893 B1 \* 2/2002 Shiono et al. .... 396/448  
D455,770 S \* 4/2002 Suzuki et al. .... D16/219  
D477,832 S \* 7/2003 Suzuki ..... D16/218  
D494,205 S 8/2004 Kawase  
D496,678 S 9/2004 Kawase

D508,065 S \* 8/2005 Dow et al. .... D16/202  
D524,836 S \* 7/2006 Morita ..... D16/202  
D542,324 S \* 5/2007 Takagi ..... D16/219  
D544,011 S \* 6/2007 Tanio ..... D16/219  
2004/0190892 A1 \* 9/2004 Yamane ..... 396/448

\* cited by examiner

*Primary Examiner*—Ian Simmons

*Assistant Examiner*—Wan Laymon

(74) *Attorney, Agent, or Firm*—Oblon, Spivak, McClelland,  
Maier & Neustadt, P.C.

(57) **CLAIM**

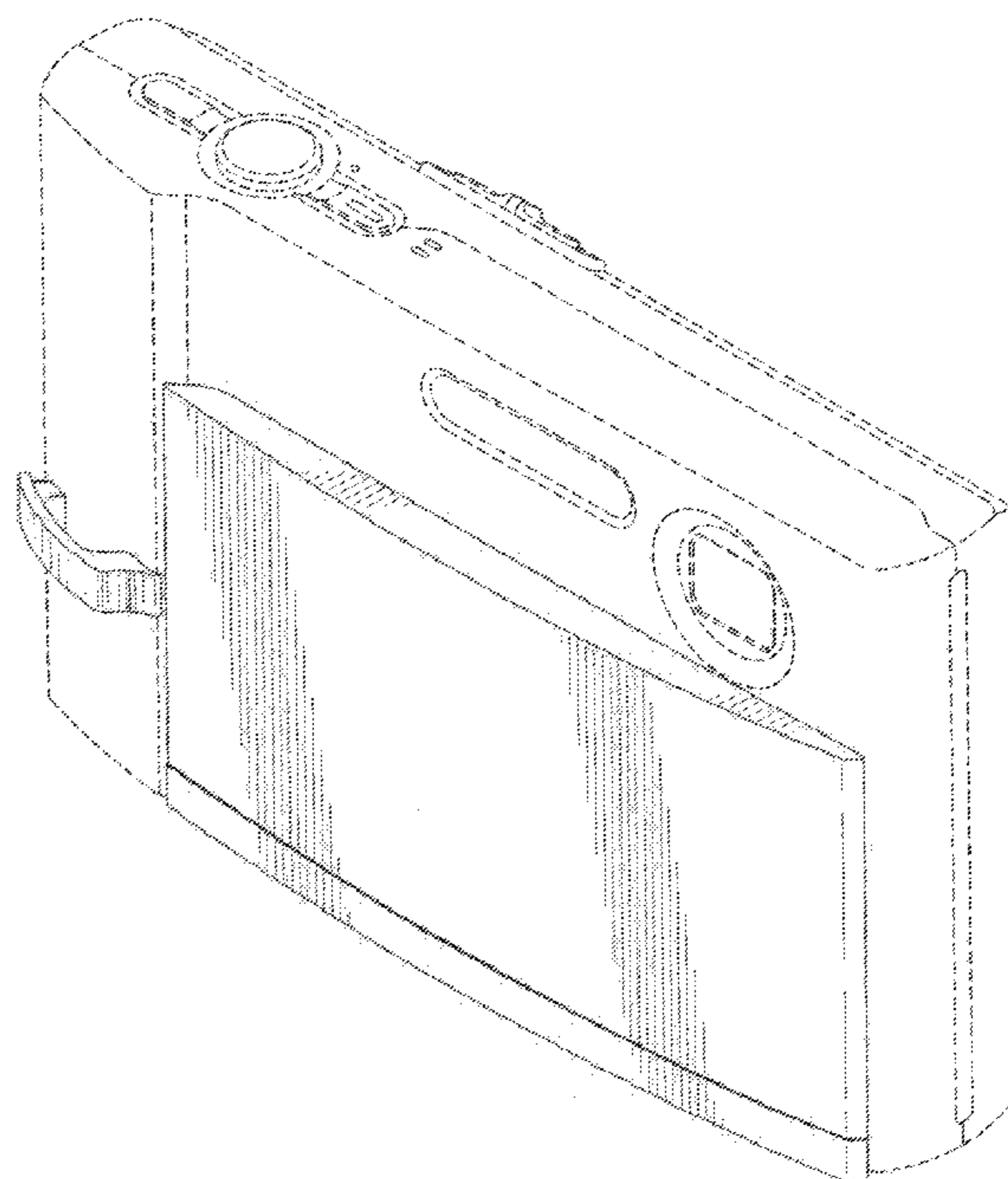
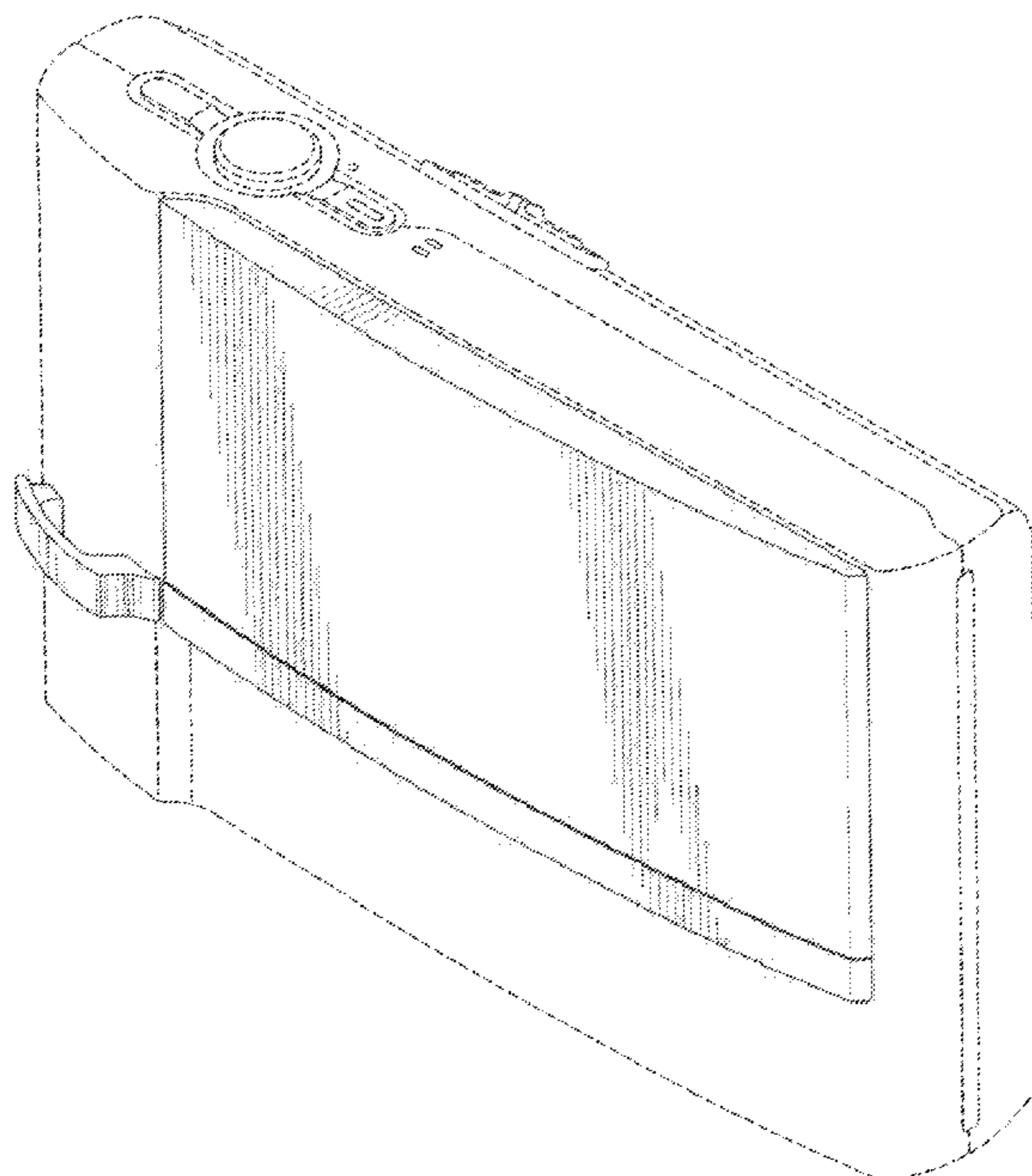
The ornamental design for a camera lens cover, as shown  
and described.

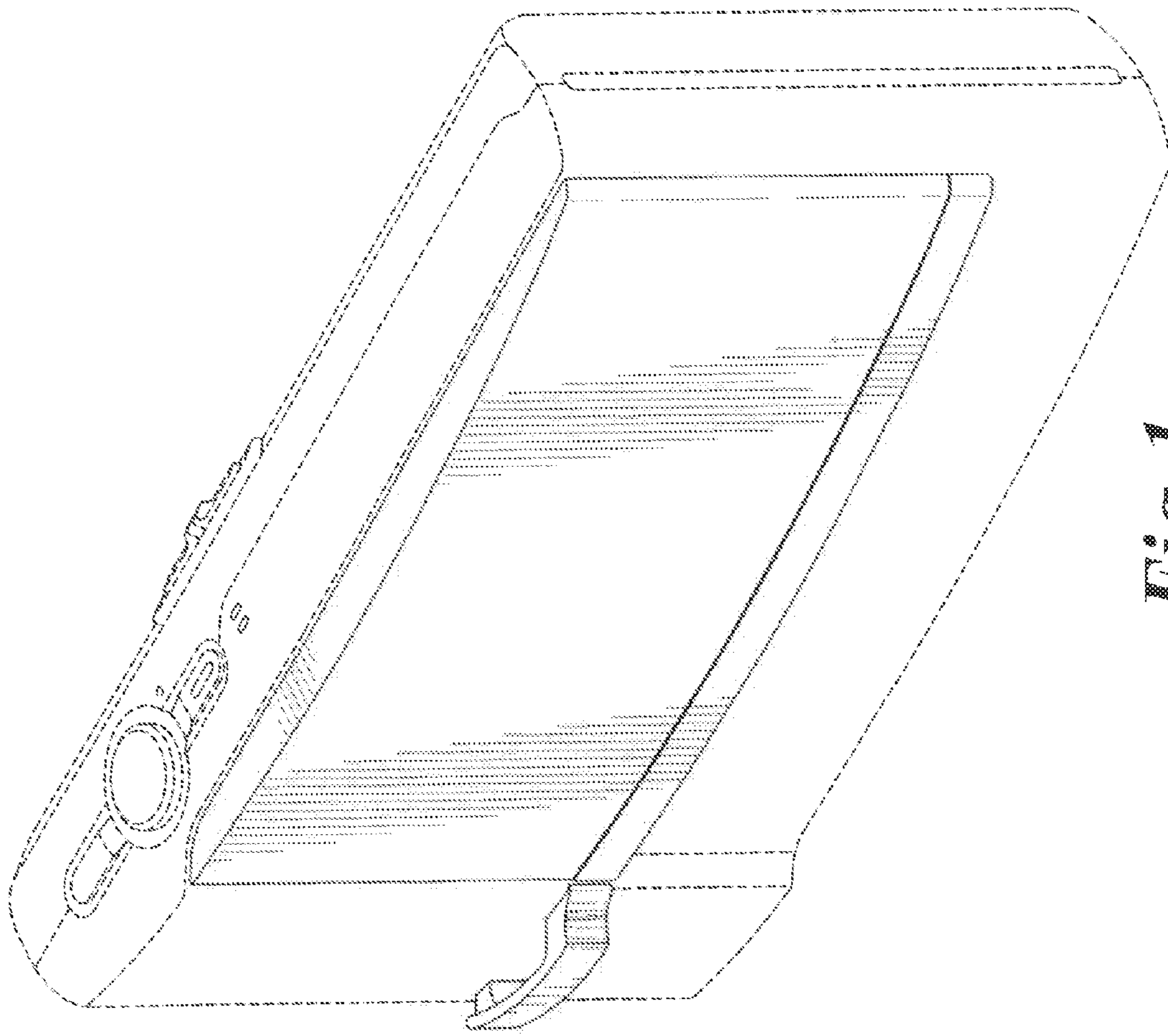
**DESCRIPTION**

FIG. 1 is a top, right and front perspective view of a camera  
lens cover showing my new design, shown in a first position;  
FIG. 2 is a front elevational view thereof;  
FIG. 3 is a rear elevational view thereof;  
FIG. 4 is a left side elevational view thereof;  
FIG. 5 is a right side elevational view thereof;  
FIG. 6 is a top plan view thereof;  
FIG. 7 is a bottom plan view thereof; and,  
FIG. 8 is a top, right and front perspective view thereof,  
shown in a second position.

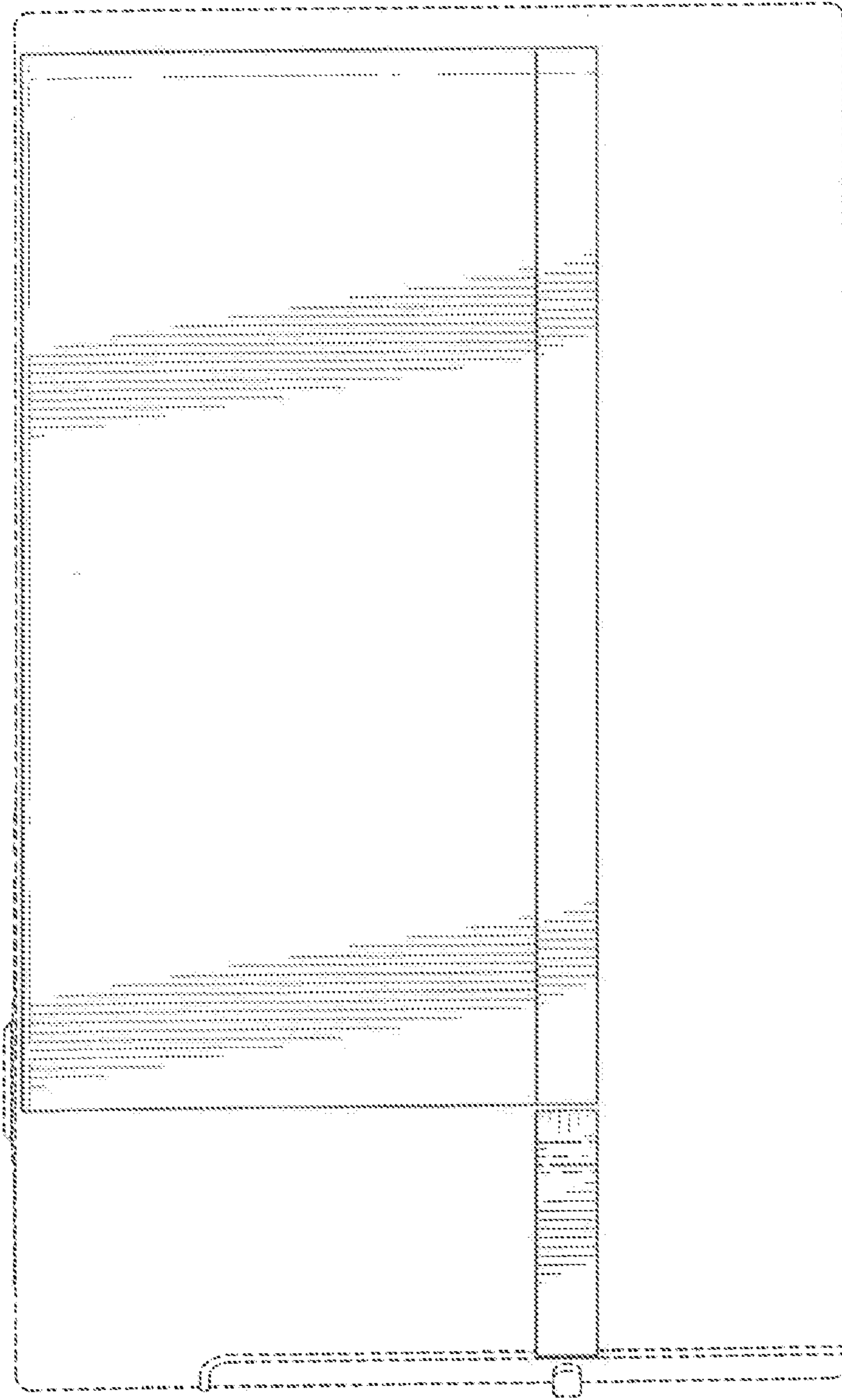
The phantom lines shown in the figures are shown for  
illustrative purposes only and form no part of the design.

**1 Claim, 7 Drawing Sheets**

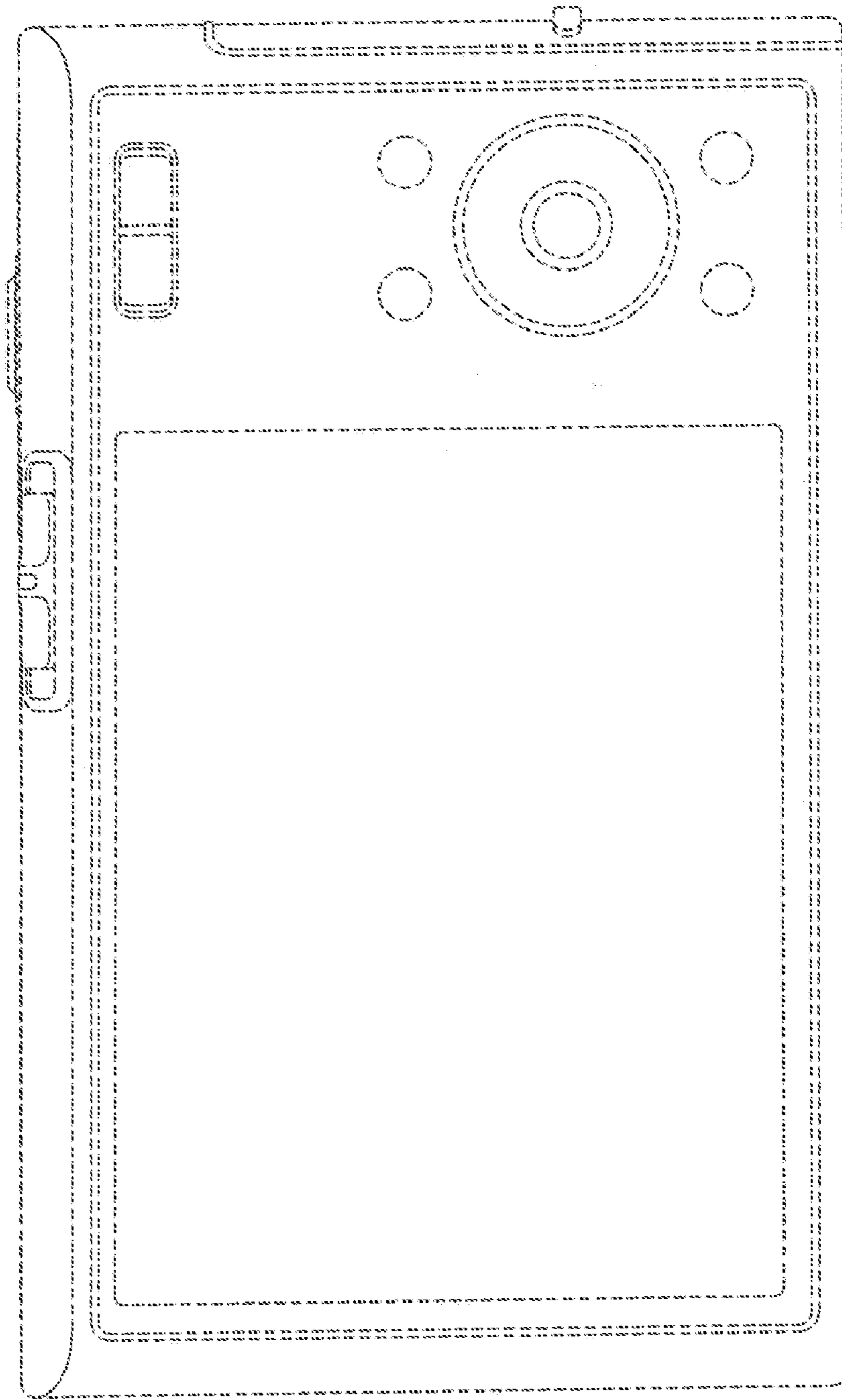




**FIG. 1**

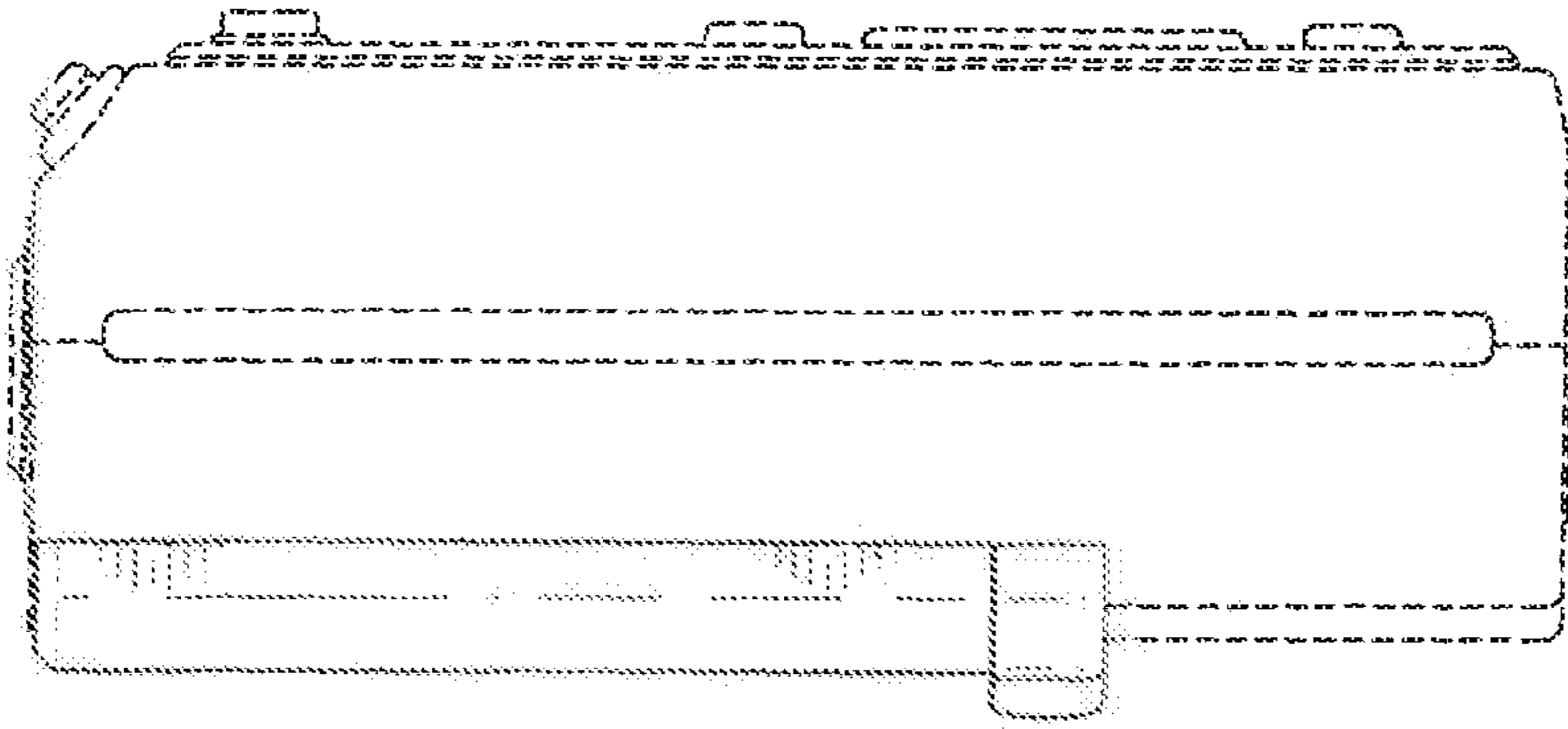


*Fig. 2*

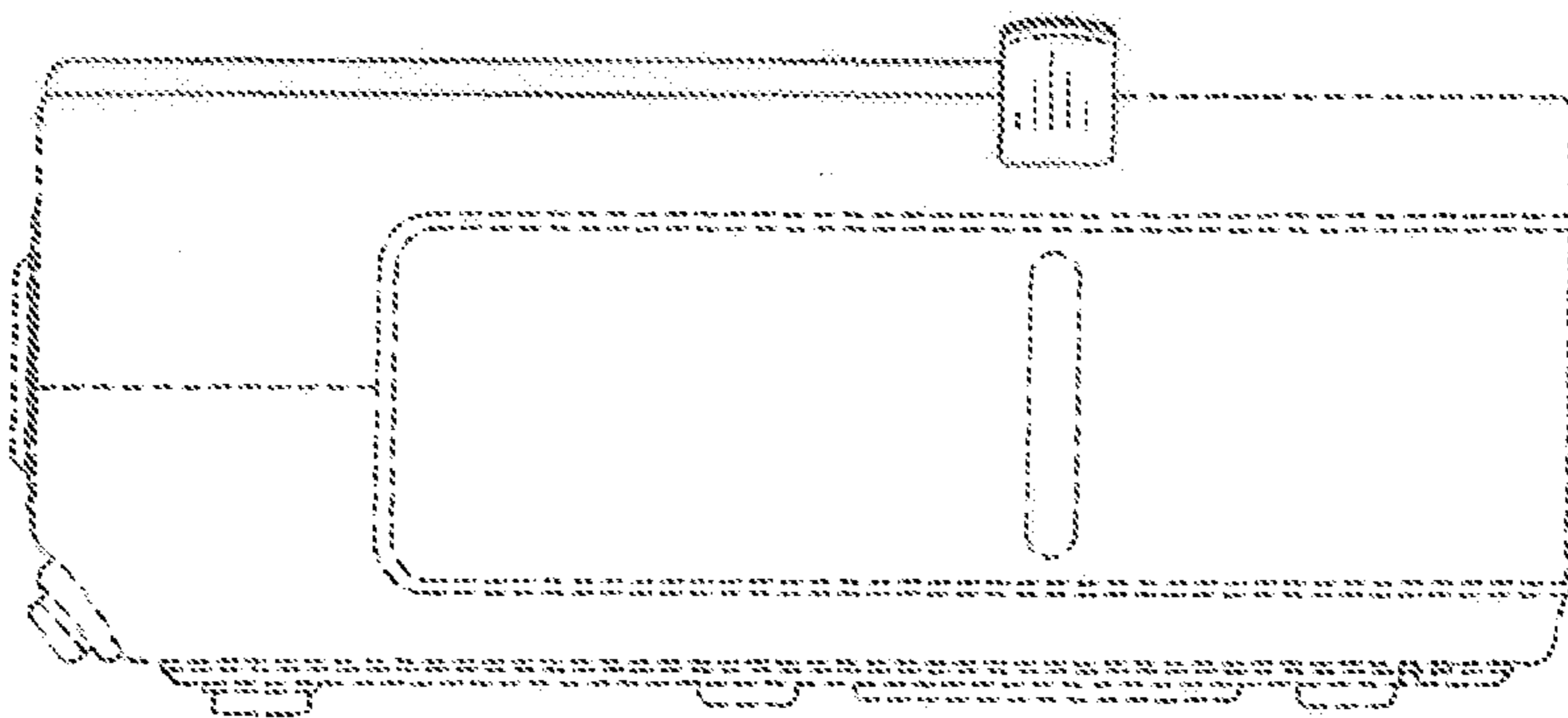


*Fig. 3*

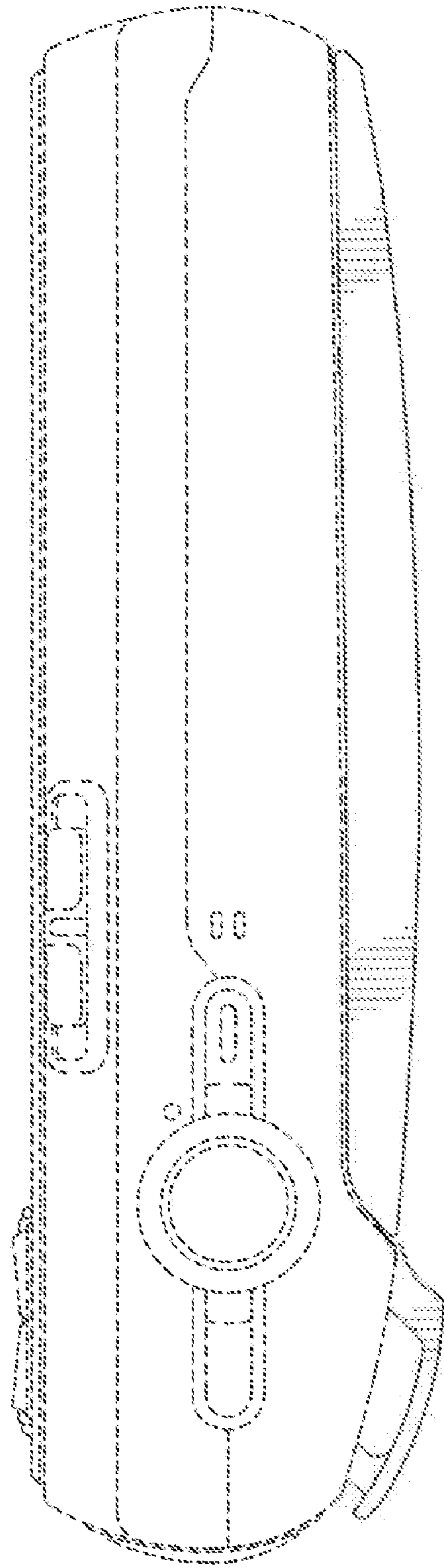




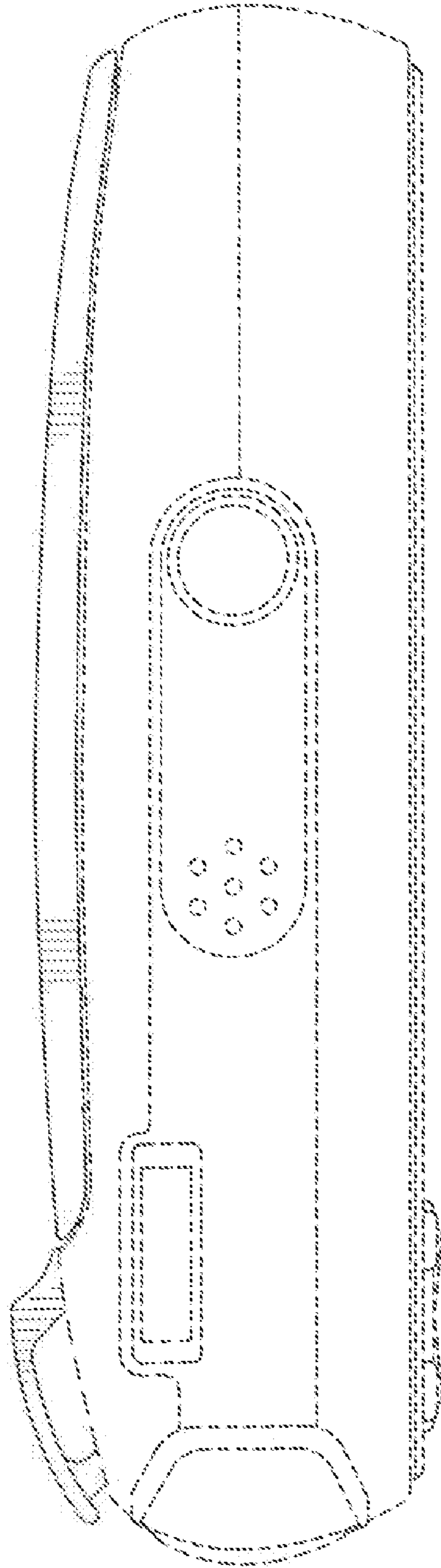
*Fig. 5*



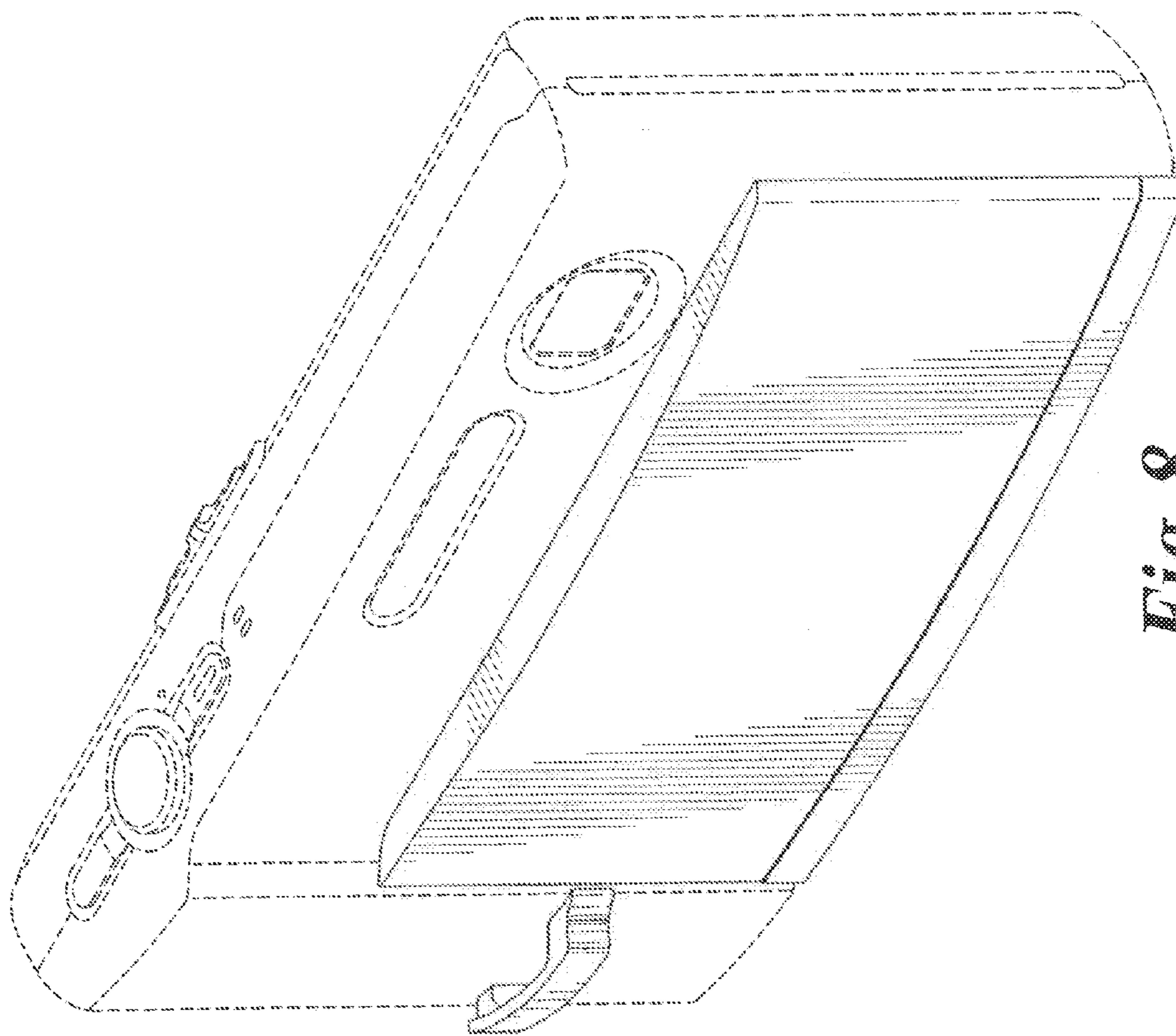
*Fig. 4*



*Fig. 6*



*Fig. 7*



*Fig. 8*