



US00D559293S

(12) **United States Design Patent**
Katayama

(10) **Patent No.:** **US D559,293 S**

(45) **Date of Patent:** **** Jan. 8, 2008**

(54) **ELECTRONIC CAMERA**

2007/0091475 A1* 4/2007 Shirakata 359/819

(75) Inventor: **Noriko Katayama**, Tokyo (JP)

(73) Assignee: **Fujifilm Corporation**, Tokyo (JP)

(**) Term: **14 Years**

(21) Appl. No.: **29/259,722**

(22) Filed: **May 16, 2006**

(30) **Foreign Application Priority Data**

Nov. 17, 2005 (JP) 2005-033934

(51) **LOC (8) Cl.** **16-05**

(52) **U.S. Cl.** **D16/219; D16/202**

(58) **Field of Classification Search** D16/200-24,
D16/208-209, 218-219; 348/373-376; 358/909.1;
396/6, 535-541

See application file for complete search history.

(56) **References Cited**

U.S. PATENT DOCUMENTS

D431,583 S *	10/2000	Matsuda	D16/202
D475,072 S *	5/2003	Yoshida	D16/202
D493,184 S *	7/2004	Senda	D16/202
D503,184 S *	3/2005	Horikiri	D16/219
D513,027 S *	12/2005	Katayama	D16/202
D524,344 S *	7/2006	Imai	D16/202
D525,638 S *	7/2006	Nakamura	D16/202
D532,030 S *	11/2006	Yoshida	D16/202
D537,093 S *	2/2007	Nakamura	D16/202

OTHER PUBLICATIONS

U.S. Appl. No. 29/228,337, filed Apr. 22, 2005.

* cited by examiner

Primary Examiner—Ian Simmons

Assistant Examiner—Wan Laymon

(74) *Attorney, Agent, or Firm*—Young & Thompson

(57) **CLAIM**

The ornamental design for an electronic camera, as shown and described.

DESCRIPTION

FIG. 1 is a top, front and side perspective view of an electronic camera showing my new design;

FIG. 2 is a front elevational view thereof;

FIG. 3 is a top plan view thereof;

FIG. 4 is a bottom plan view thereof;

FIG. 5 is a side elevational view thereof from the left of FIG. 2;

FIG. 6 is a side elevational view thereof from the right of FIG. 2; and,

FIG. 7 is a top, front and side perspective view showing the lens in a closed position.

The material shown in broken line illustrates the environment of the present invention.

1 Claim, 4 Drawing Sheets

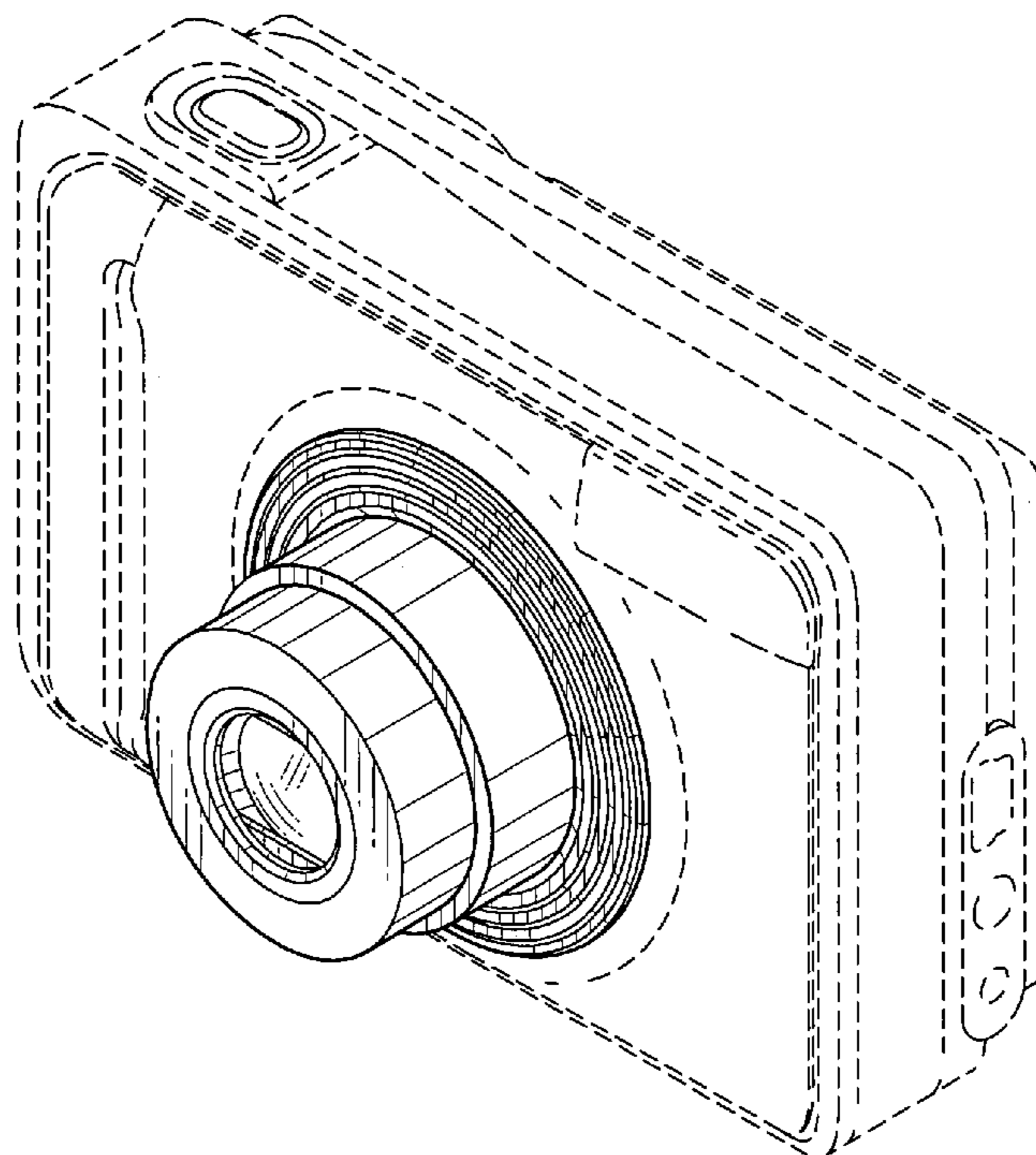


FIG.1

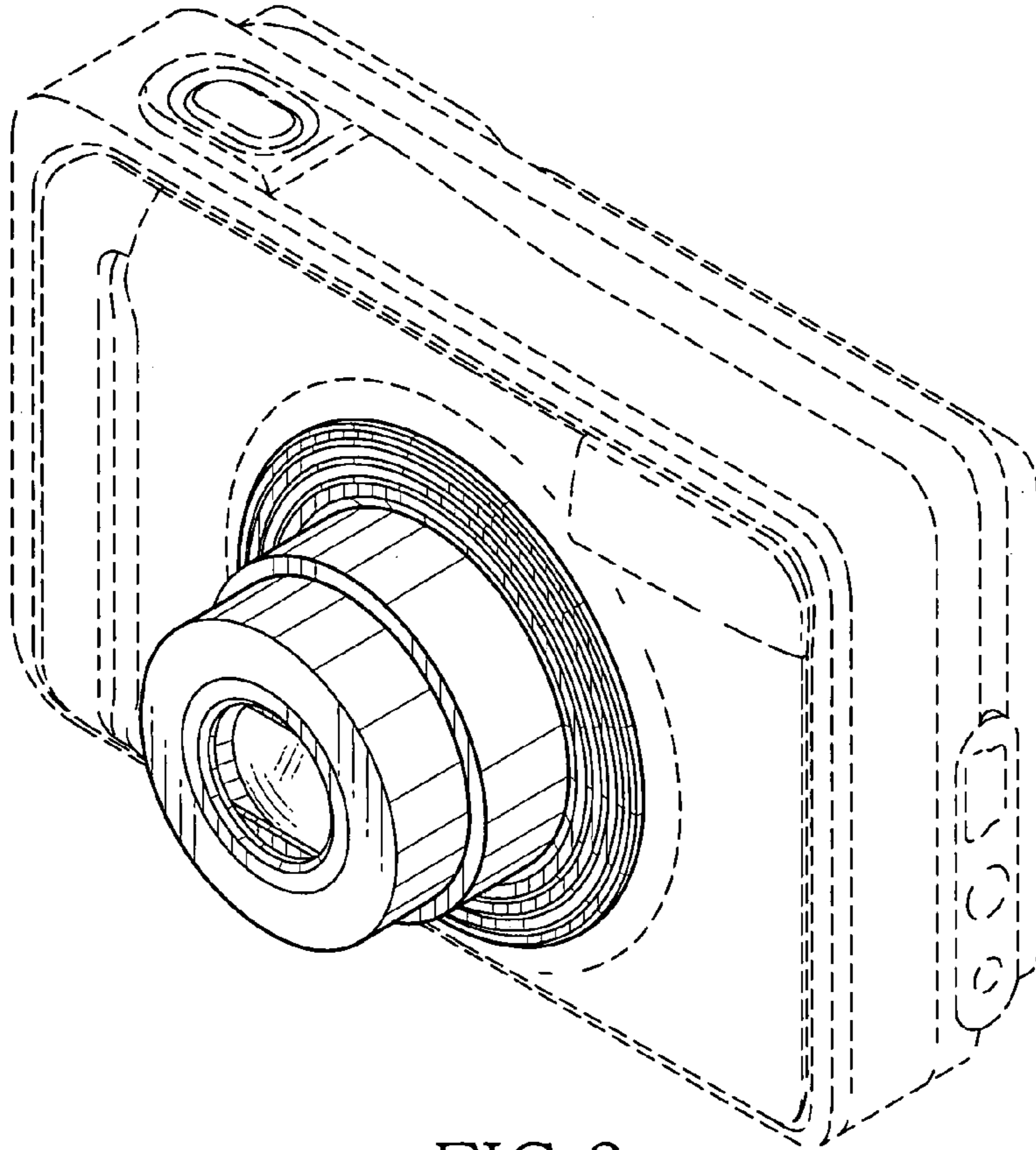


FIG.2

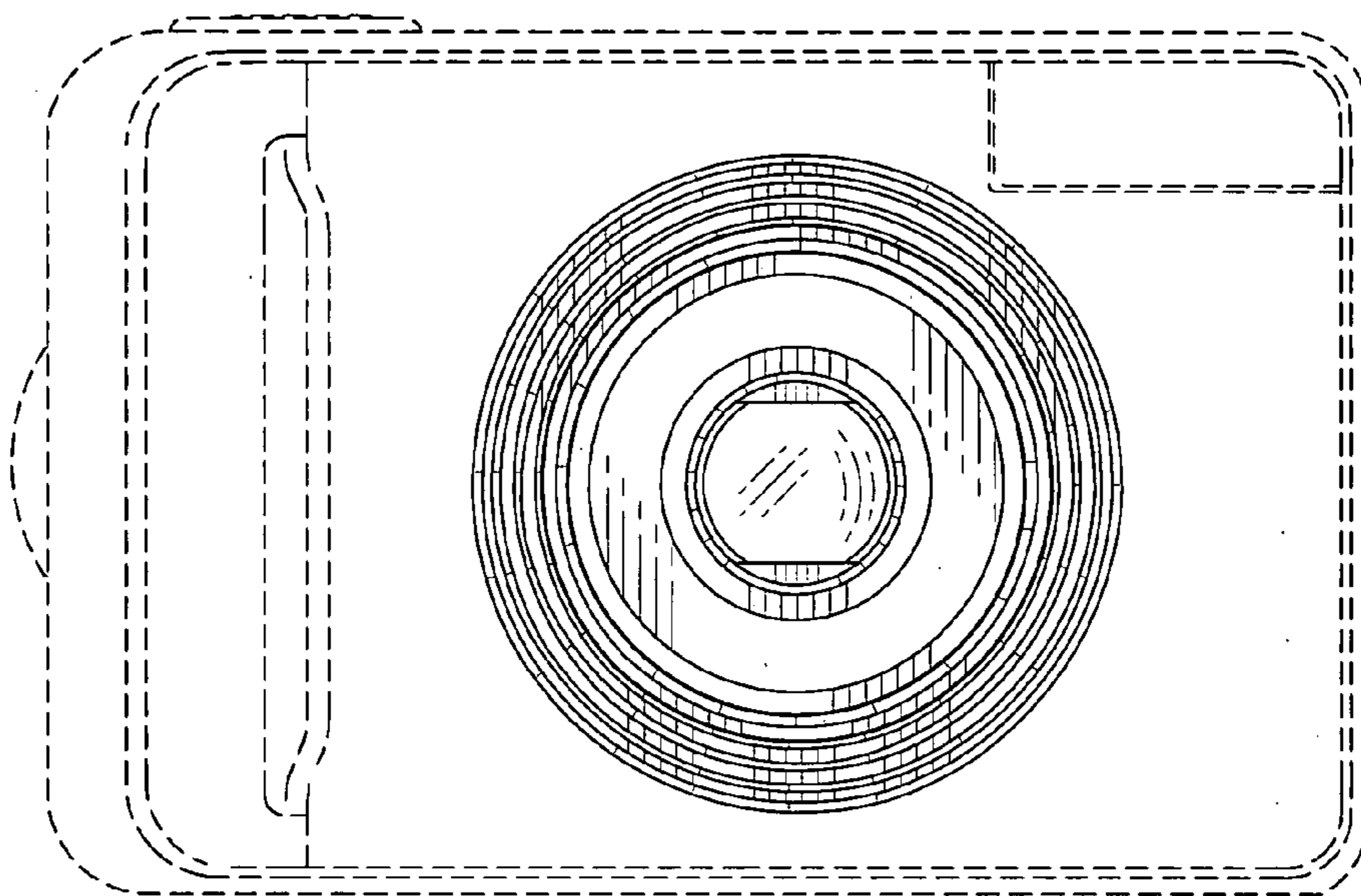


FIG.3

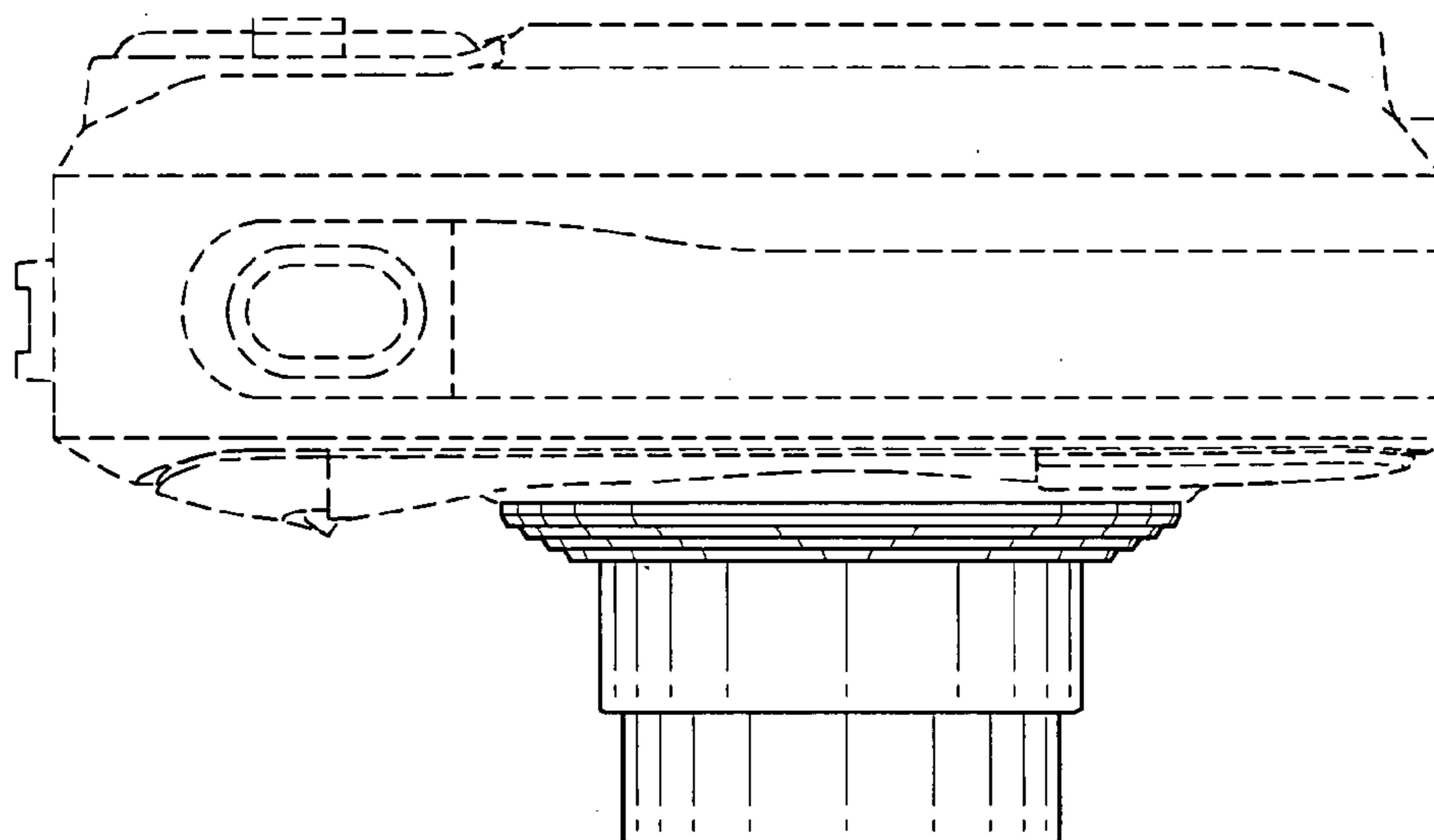


FIG.4

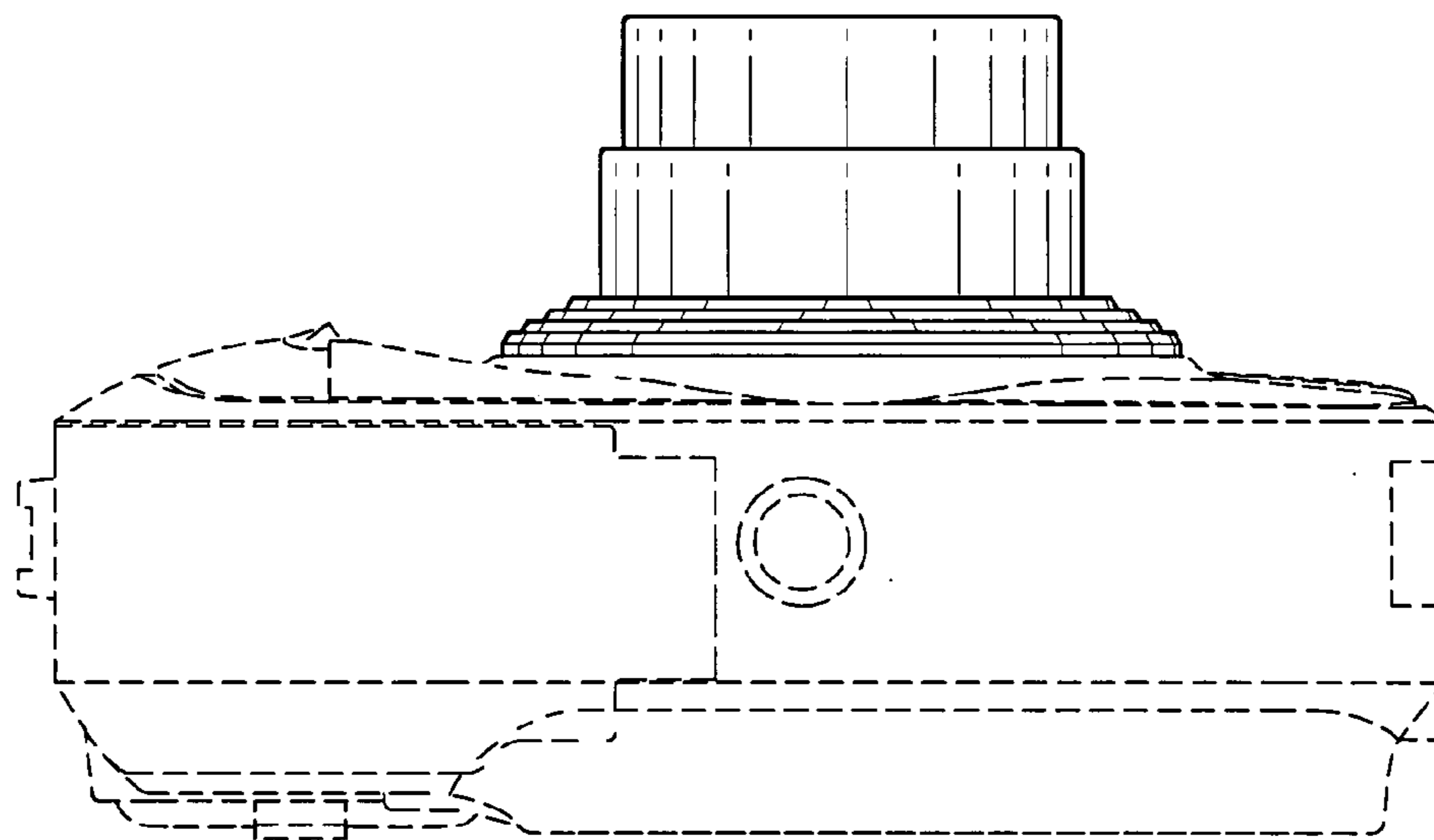


FIG.5

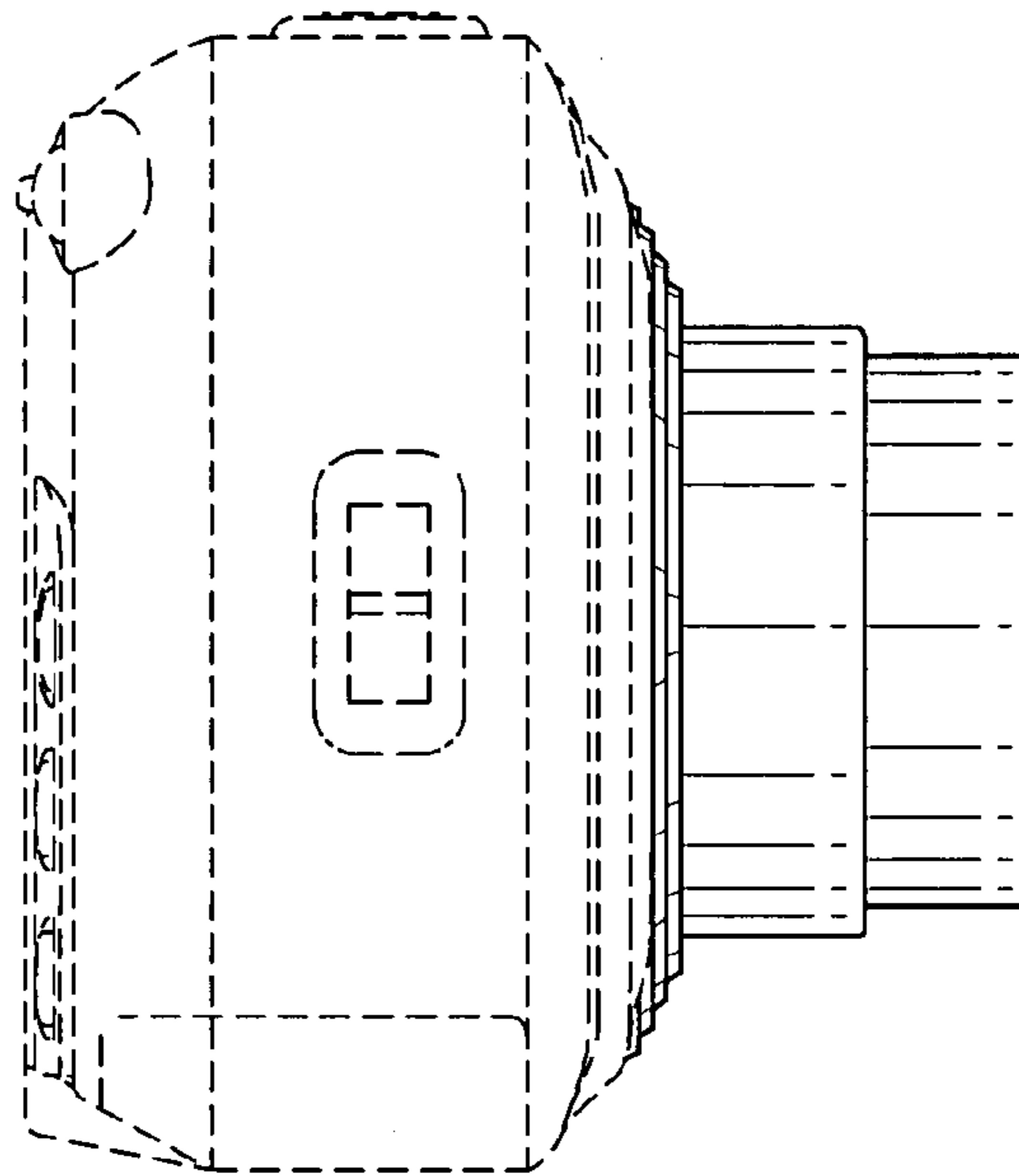


FIG.6

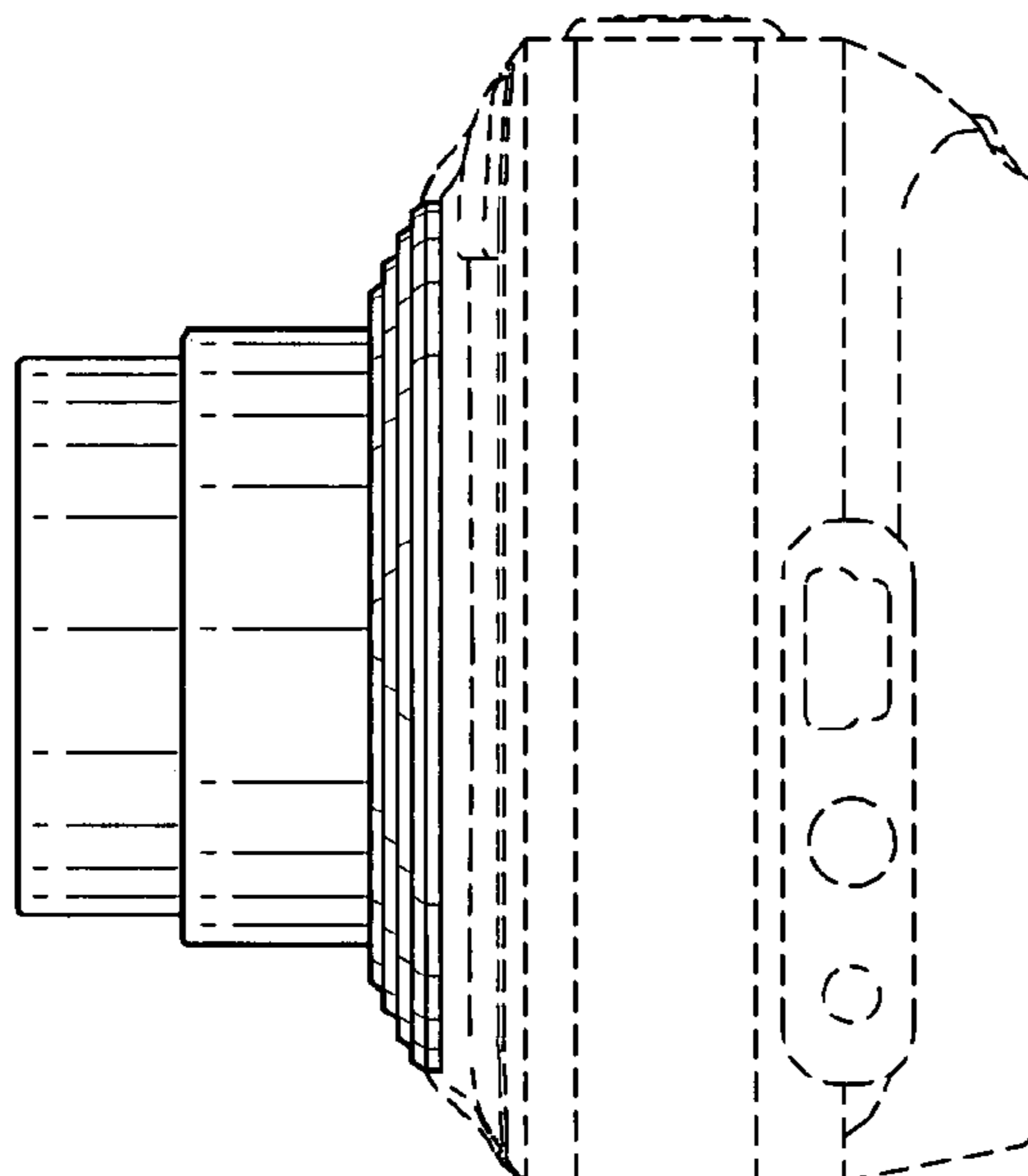


FIG. 7

