



US00D559292S

(12) **United States Design Patent**
Imai

(10) **Patent No.:** **US D559,292 S**
(45) **Date of Patent:** **** Jan. 8, 2008**

(54) **ELECTRONIC CAMERA**

D533,574 S * 12/2006 Hamamura D16/202
D534,564 S * 1/2007 Tainaka D16/202
D537,093 S * 2/2007 Nakamura D16/202

(75) Inventor: **Masazumi Imai**, Tokyo (JP)

* cited by examiner

(73) Assignee: **Fujifilm Corporation**, Tokyo (JP)

Primary Examiner—Adir Aronovich

(**) Term: **14 Years**

(74) *Attorney, Agent, or Firm*—Young & Thompson

(21) Appl. No.: **29/262,794**

(57) **CLAIM**

(22) Filed: **Jul. 12, 2006**

The ornamental design for an electronic camera, as shown and described.

(30) **Foreign Application Priority Data**

Jan. 18, 2006 (JP) 2006-000850

DESCRIPTION

(51) **LOC (8) Cl.** **16-01**

FIG. 1 is a top, front and left side view of an electronic camera showing my new design;

(52) **U.S. Cl.** **D16/202**

FIG. 2 is a front elevational view thereof;

(58) **Field of Classification Search** D16/200–204,

FIG. 3 is a rear elevational view thereof;

D16/208, 218, 219; 348/373–376; 358/909.1;

FIG. 4 is a top plan view thereof;

396/535–541

FIG. 5 is a bottom plan view thereof;

See application file for complete search history.

FIG. 6 is a side elevational view thereof from the left of FIG. 2;

(56) **References Cited**

U.S. PATENT DOCUMENTS

D406,600 S * 3/1999 Tanaka D16/218
D496,380 S * 9/2004 Isomoto D16/202
D516,599 S * 3/2006 Nakamura D16/202
D524,341 S * 7/2006 Nagayama et al. D16/202
D528,579 S * 9/2006 Yasutomi D16/218
D532,030 S * 11/2006 Yoshida D16/202

FIG. 7 is a side elevational view thereof from the right of FIG. 2; and,

FIG. 8 is a view similar to FIG. 1, but with the parts in a different position.

1 Claim, 4 Drawing Sheets

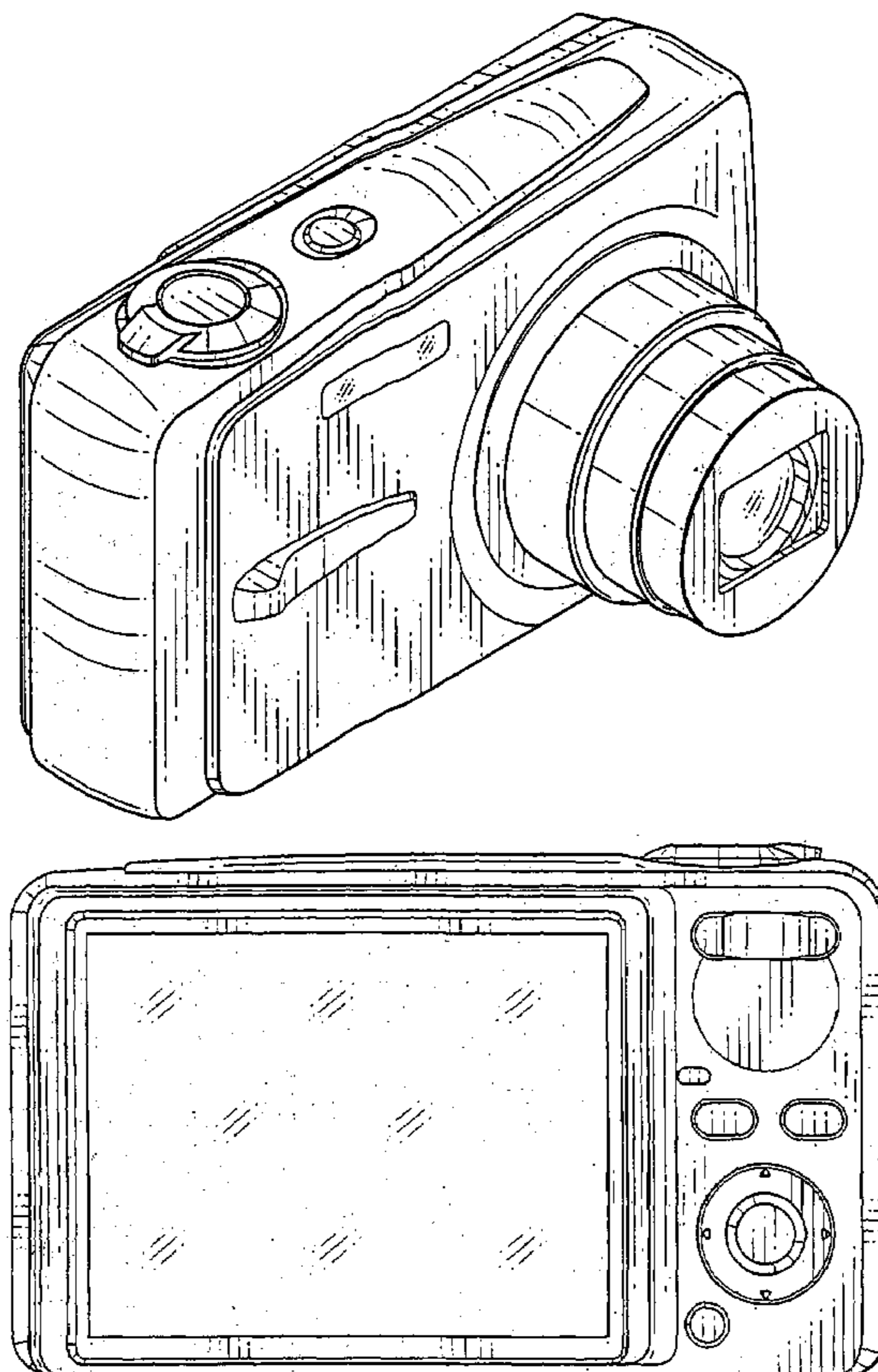


FIG. 1

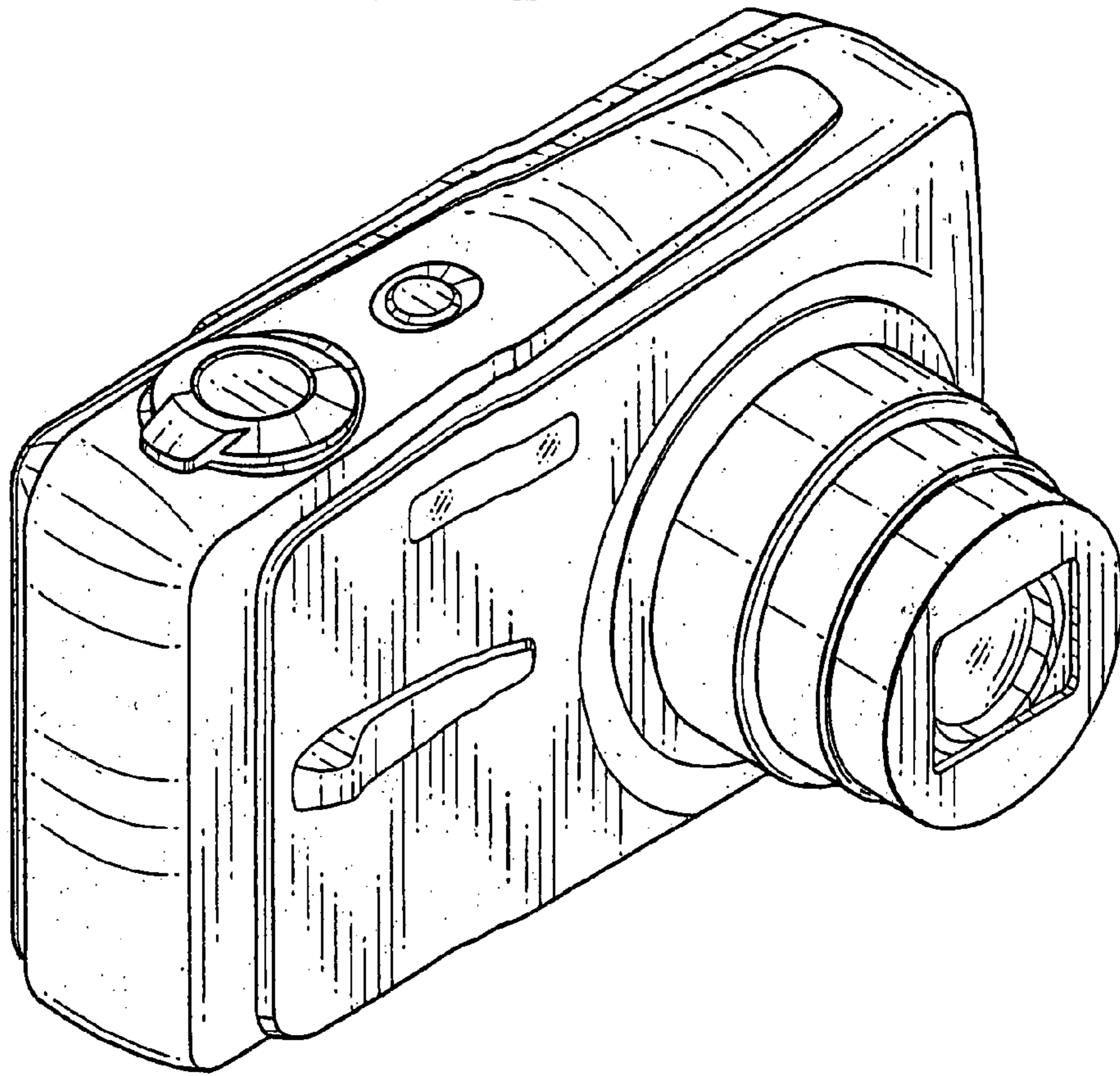


FIG. 2

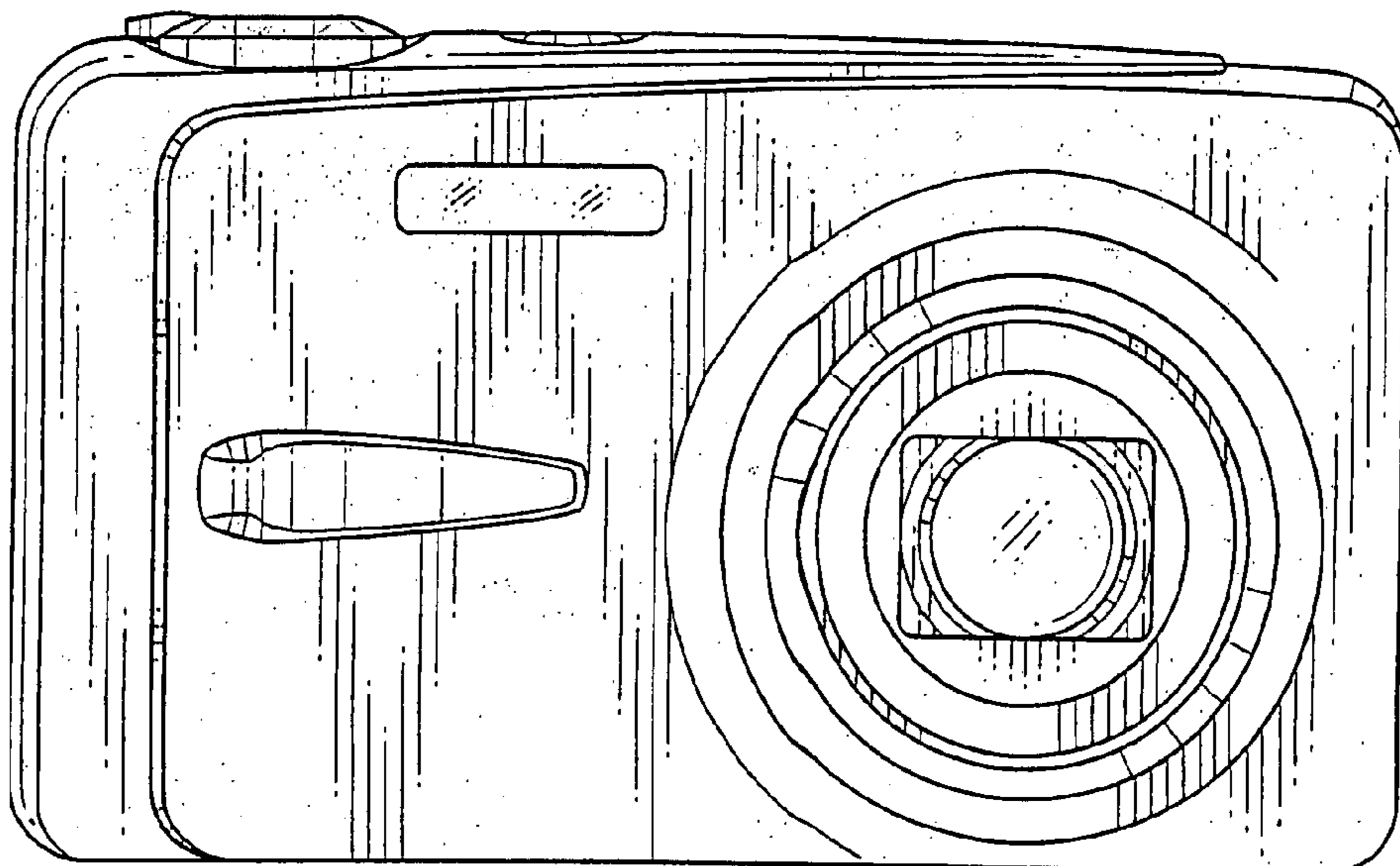


FIG.3

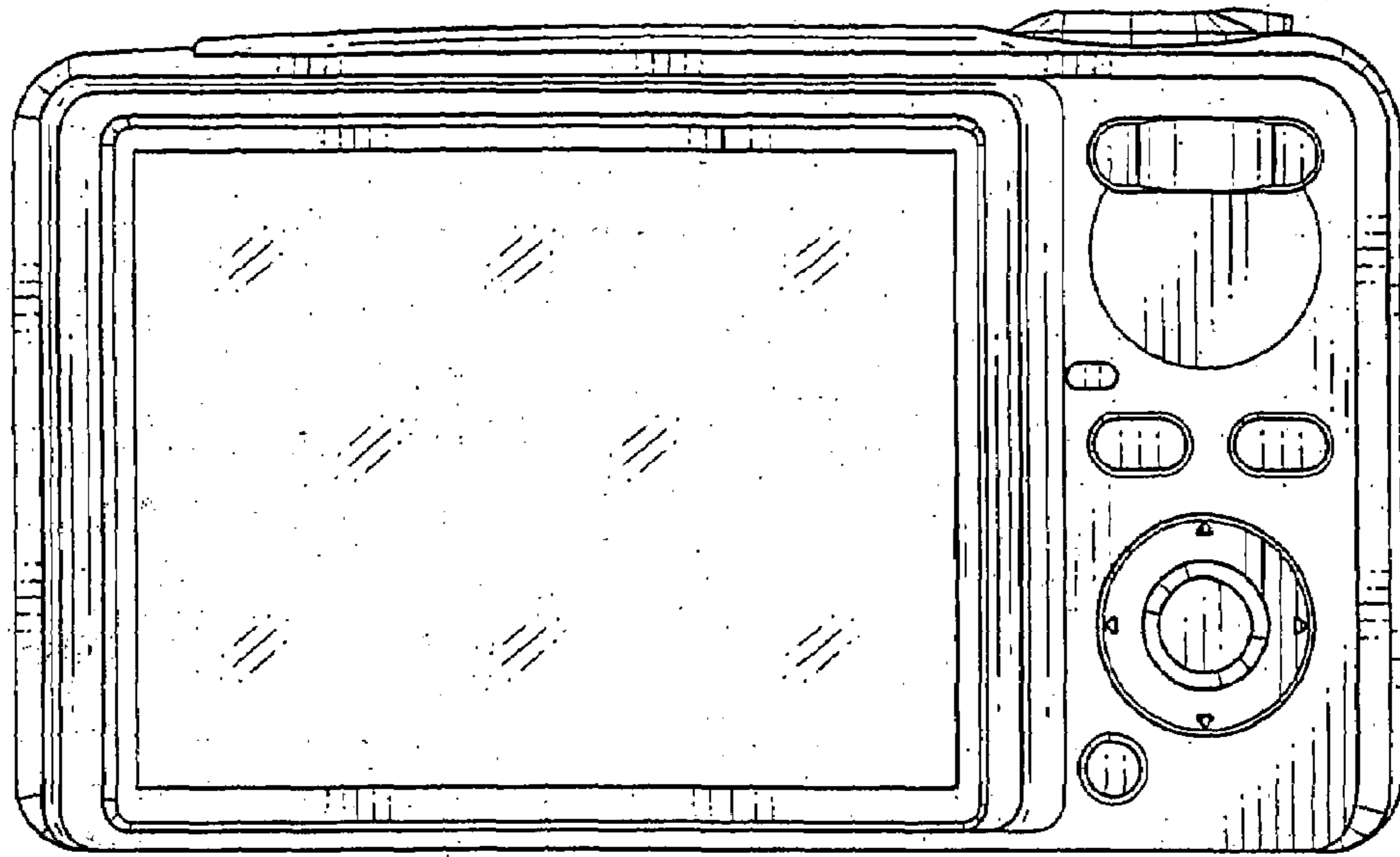


FIG.4

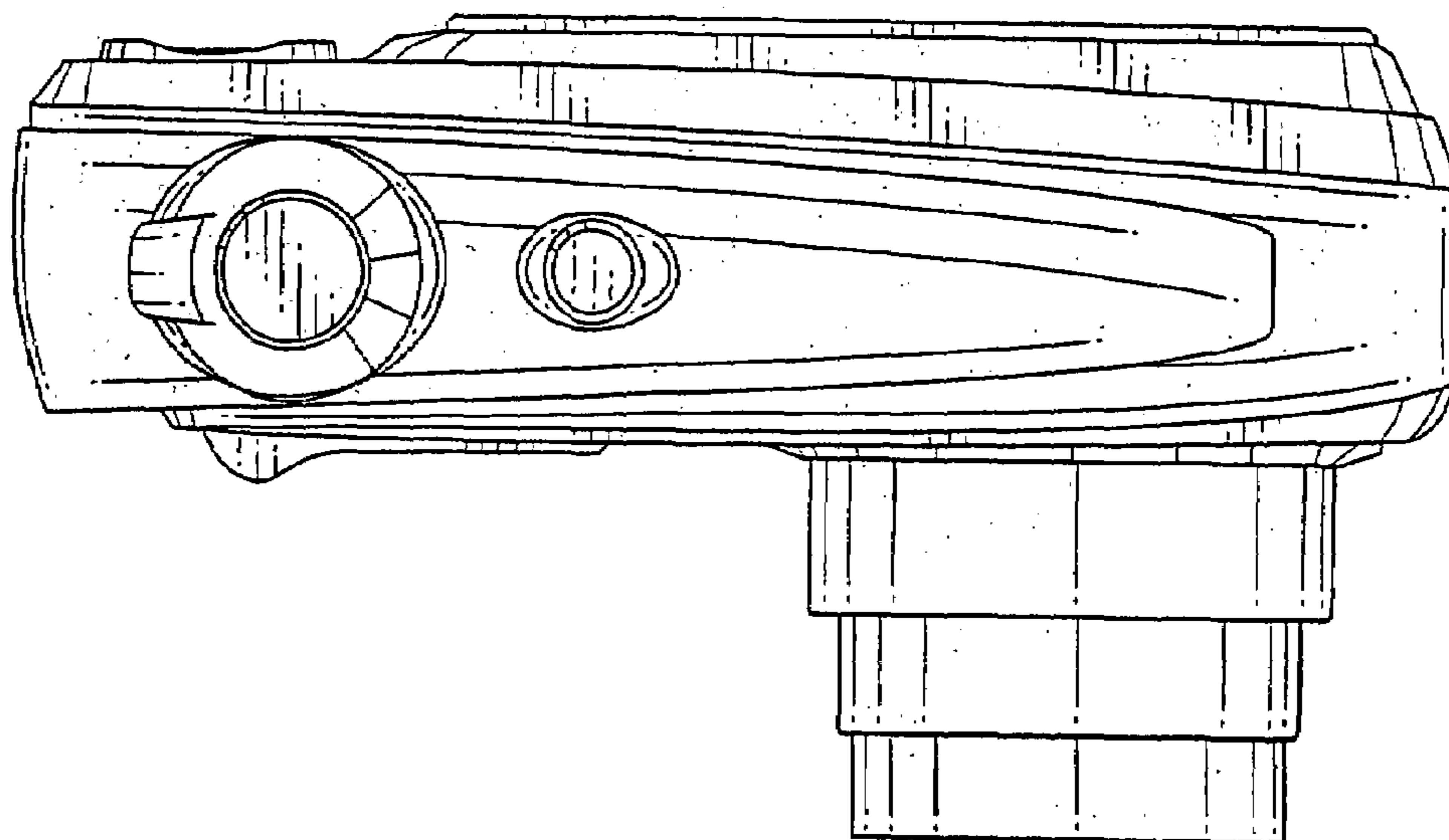


FIG.5

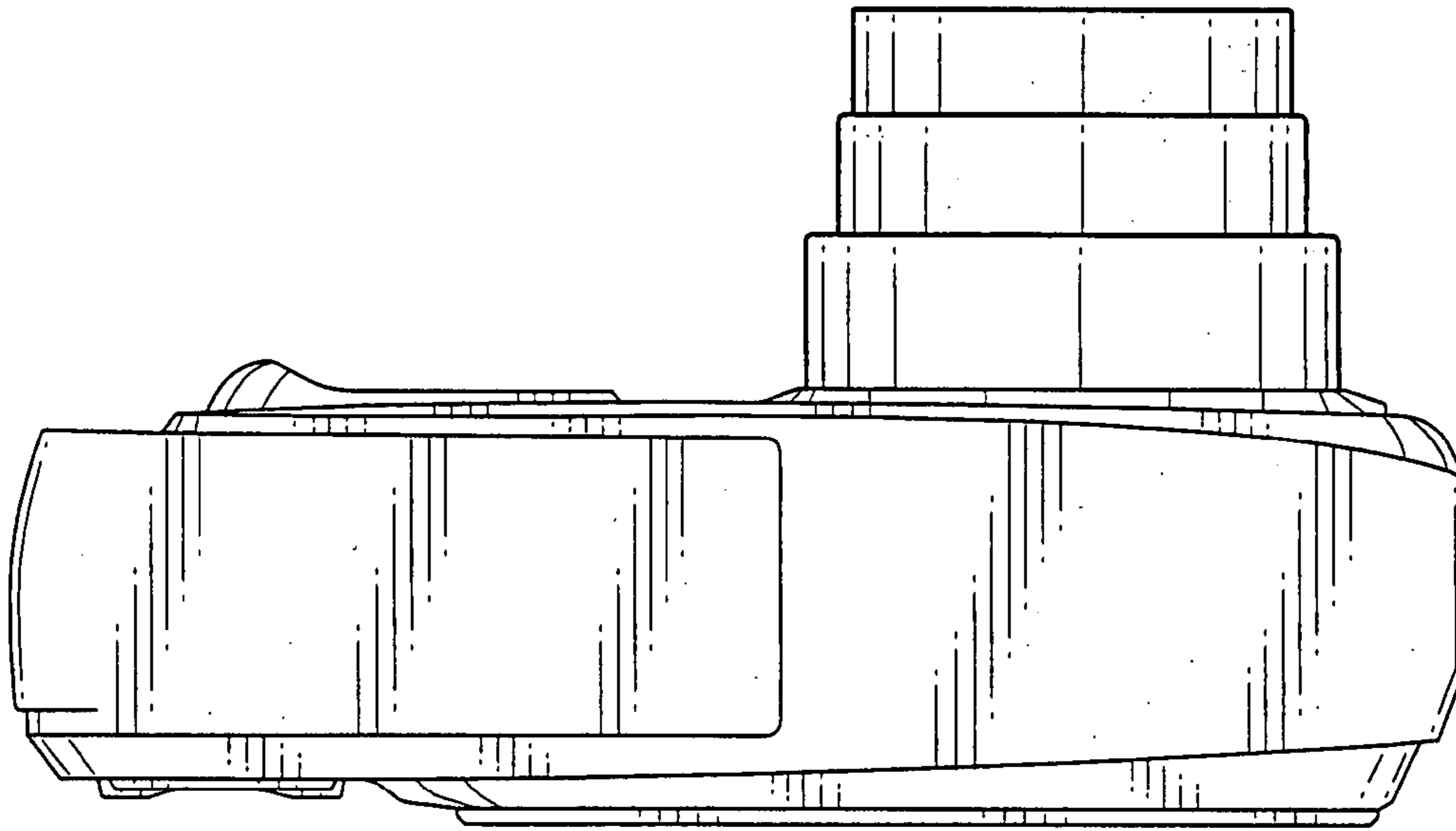


FIG.6

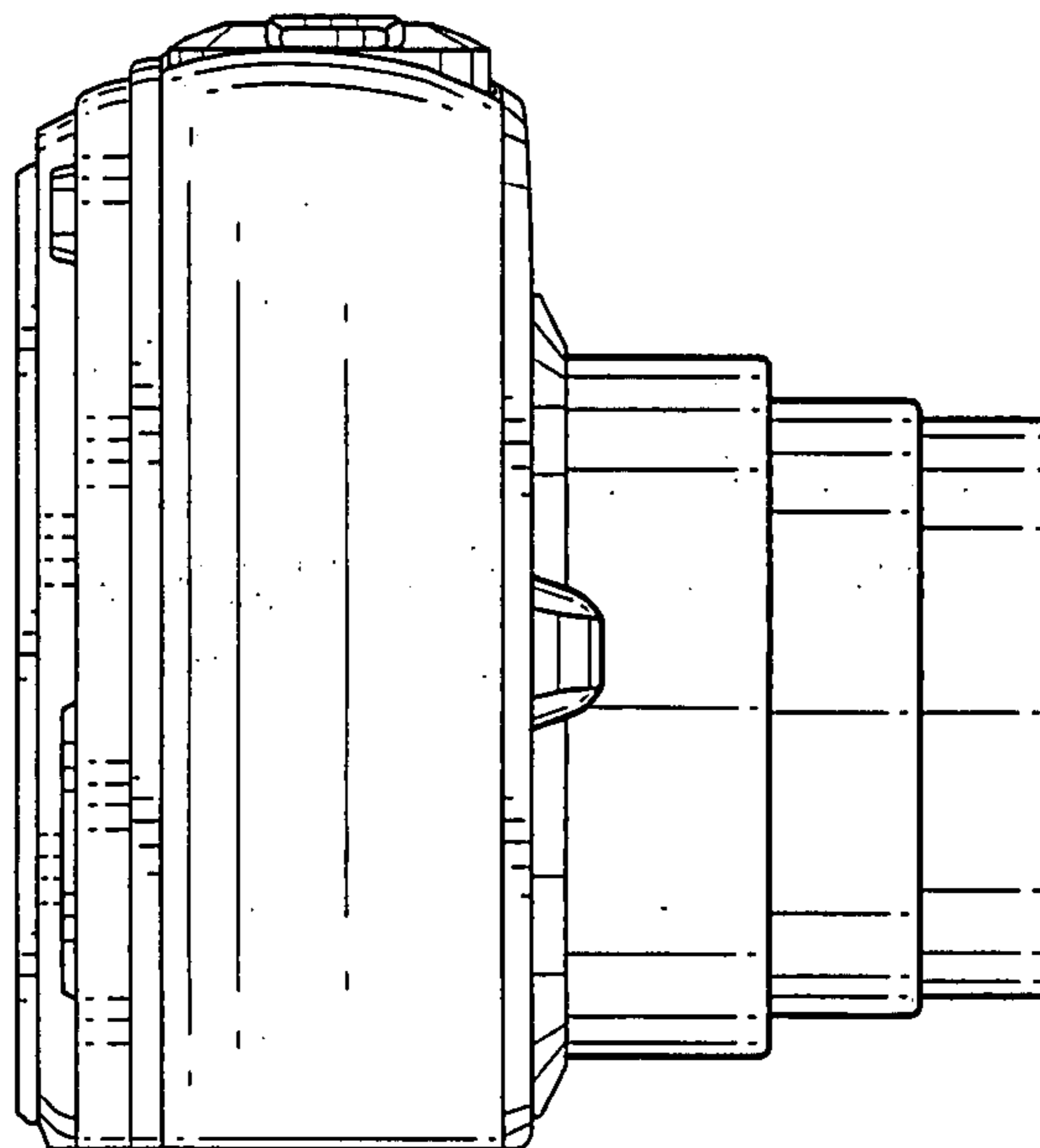


FIG. 7

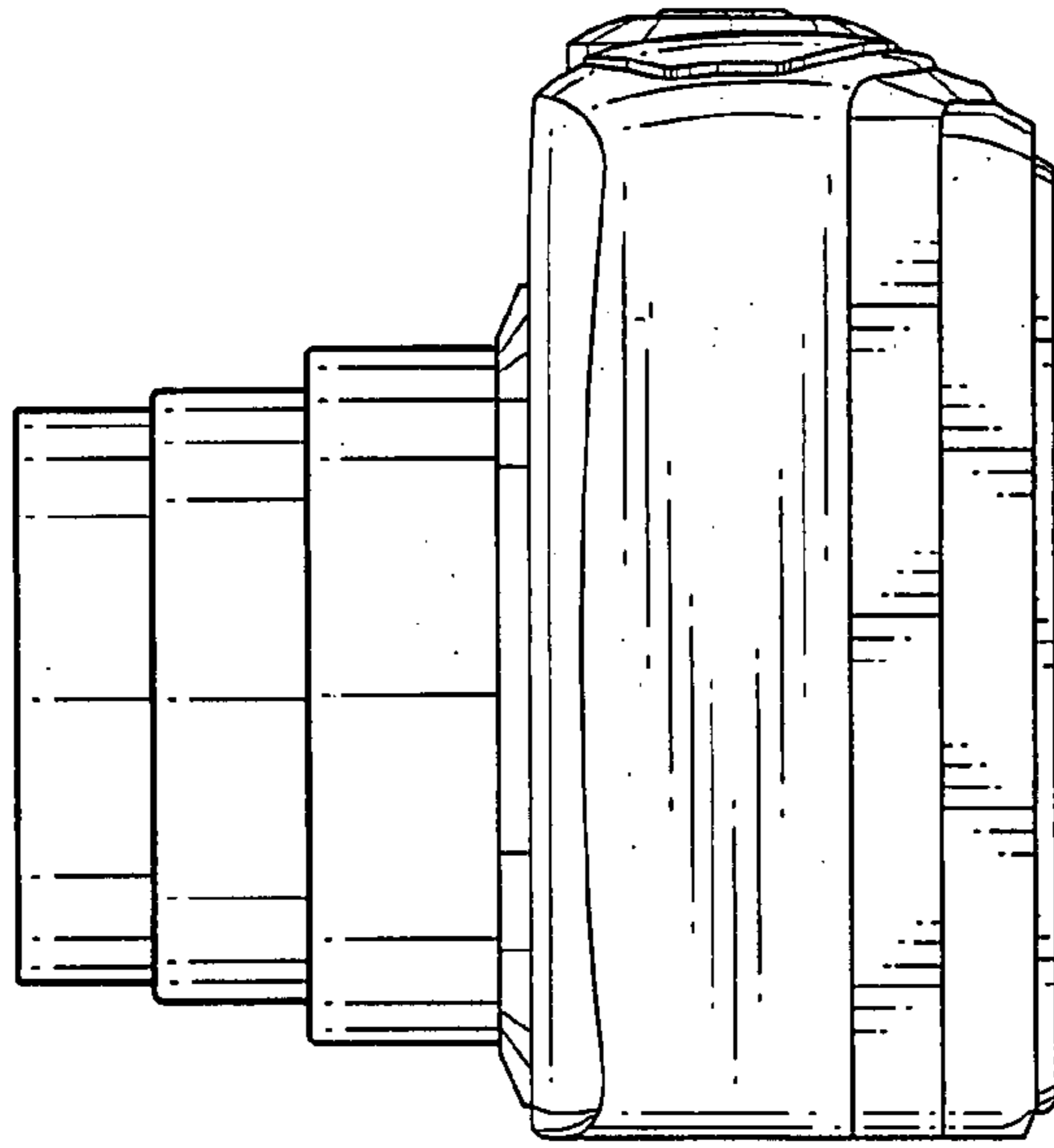


FIG. 8

