

US00D559290S

(12) **United States Design Patent**
Chung

(10) **Patent No.:** **US D559,290 S**
(45) **Date of Patent:** **** Jan. 8, 2008**

(54) **CAMCORDER**

(75) Inventor: **Yeon-Moo Chung**, Seoul (KR)

(73) Assignee: **Samsung Electronics Co., Ltd.**,
Suwon-Si (KR)

(**) Term: **14 Years**

(21) Appl. No.: **29/245,729**

(22) Filed: **Dec. 29, 2005**

(30) **Foreign Application Priority Data**

Jul. 15, 2005 (KR) 30-2005-0023863

(51) **LOC (8) Cl.** **16-01**

(52) **U.S. Cl.** **D16/202; D16/205**

(58) **Field of Classification Search** D16/200-206,
D16/208, 218; 348/373-376; 358/906,
358/909.1; 396/535-541

See application file for complete search history.

(56) **References Cited**

U.S. PATENT DOCUMENTS

D407,097 S	*	3/1999	Suzuki et al.	D16/202
D431,582 S	*	10/2000	Sumita et al.	D16/202
D463,469 S	*	9/2002	Kawase	D16/202
D463,809 S	*	10/2002	Lo	D16/202
D469,793 S	*	2/2003	Onoda et al.	D16/202
D469,794 S	*	2/2003	Onoda et al.	D16/202
D488,495 S	*	4/2004	Shimizu	D16/202

D499,437 S	*	12/2004	Miyamori et al.	D16/202
D501,216 S	*	1/2005	Shimizu	D16/202
D520,044 S	*	5/2006	Chung et al.	D16/202
D525,637 S	*	7/2006	Suzuki et al.	D16/202

* cited by examiner

Primary Examiner—Ian Simmons

Assistant Examiner—Wan Laymon

(74) *Attorney, Agent, or Firm*—Staas & Halsey LLP

(57) **CLAIM**

The ornamental design for a camcorder, as shown and described.

DESCRIPTION

FIG. 1 is a front perspective view of a camcorder showing my new design;

FIG. 2 is a front view thereof;

FIG. 3 is a rear view thereof;

FIG. 4 is a left side view thereof;

FIG. 5 is a right side view thereof;

FIG. 6 is a top plan view thereof;

FIG. 7 is a bottom plan view thereof; and,

FIG. 8 is a perspective, open view thereof.

The broken line in FIG. 7 is for illustrative purpose only and forms no part of the claimed design.

1 Claim, 8 Drawing Sheets

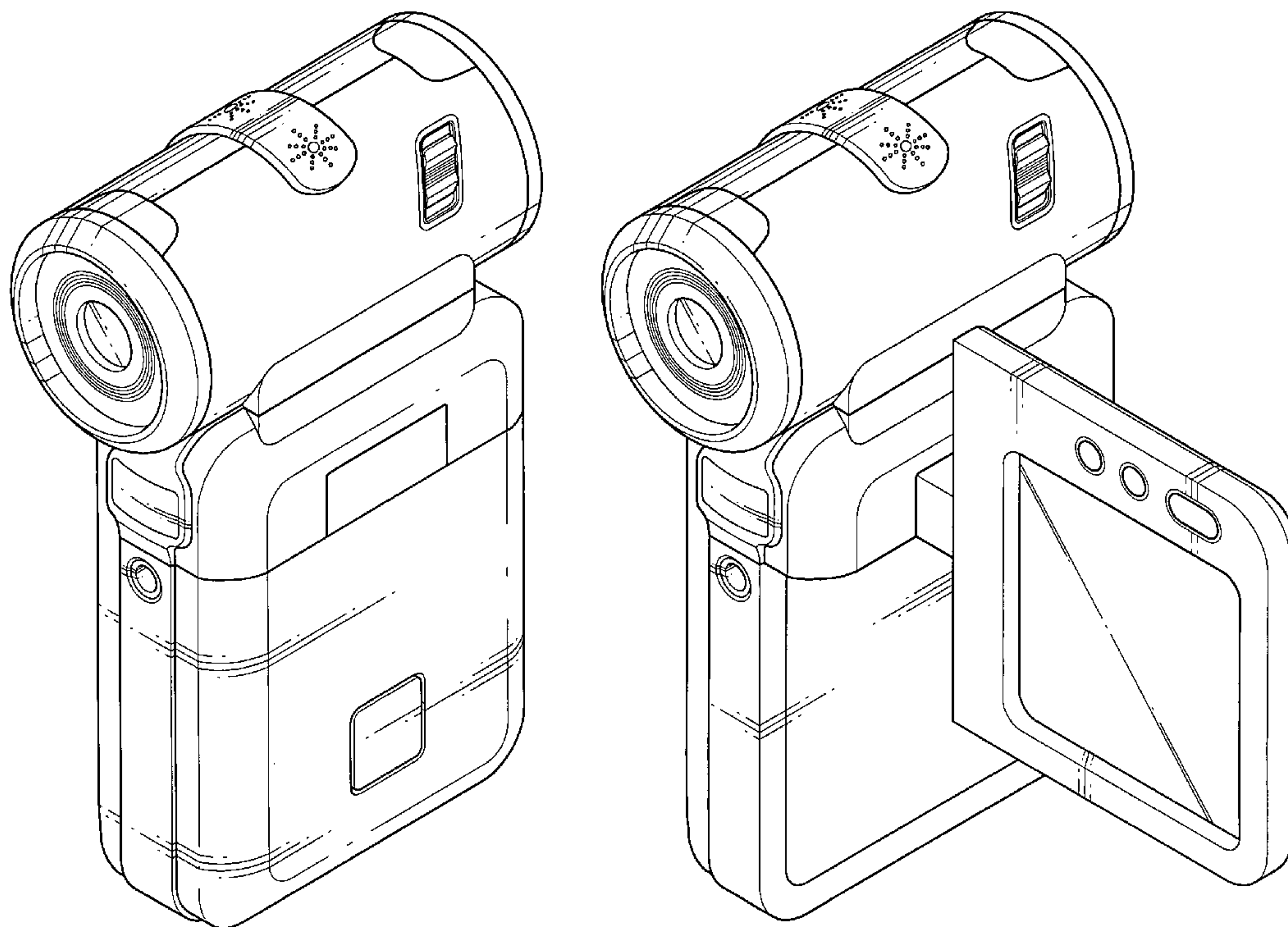


FIG. 1

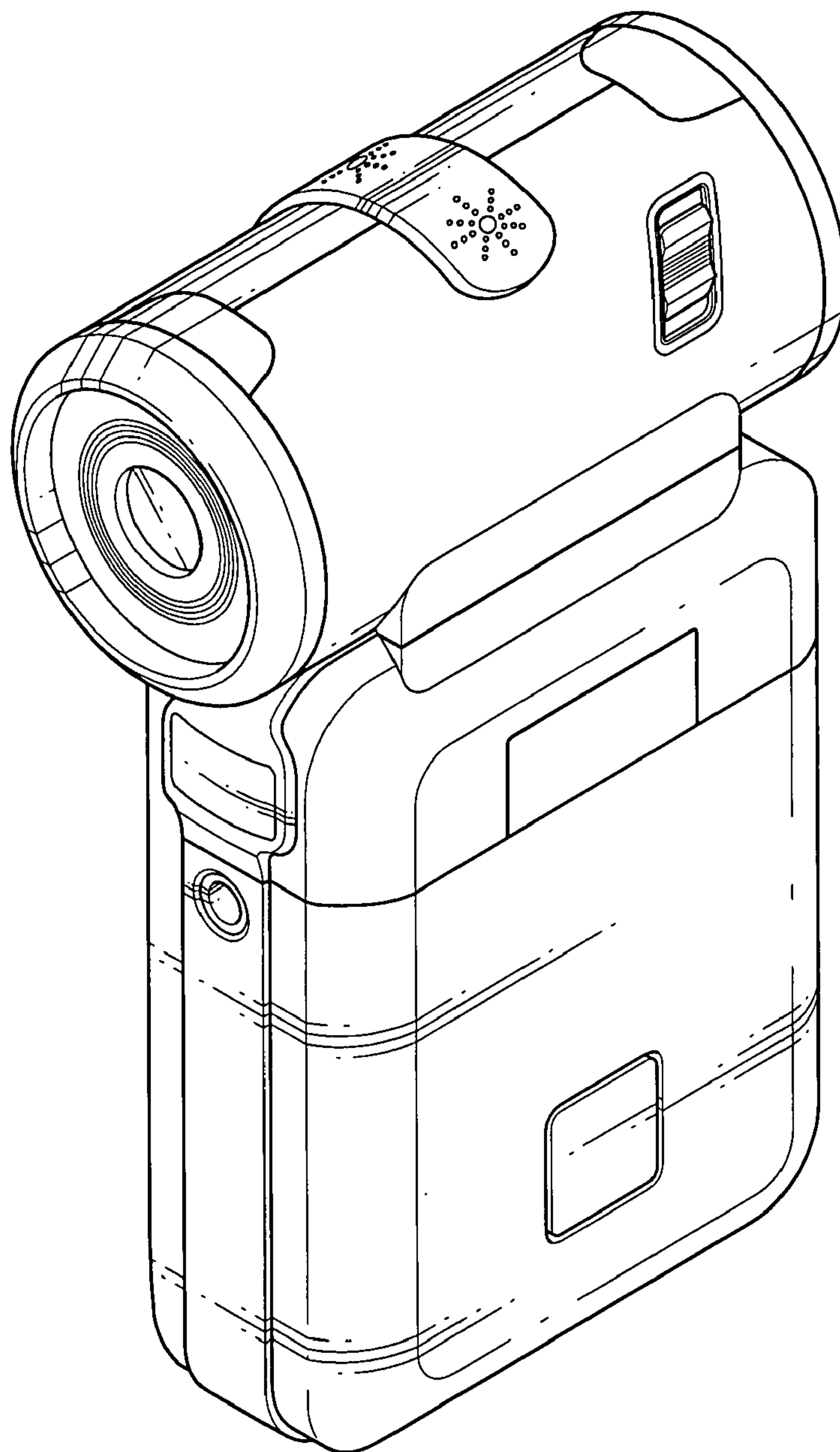


FIG. 2

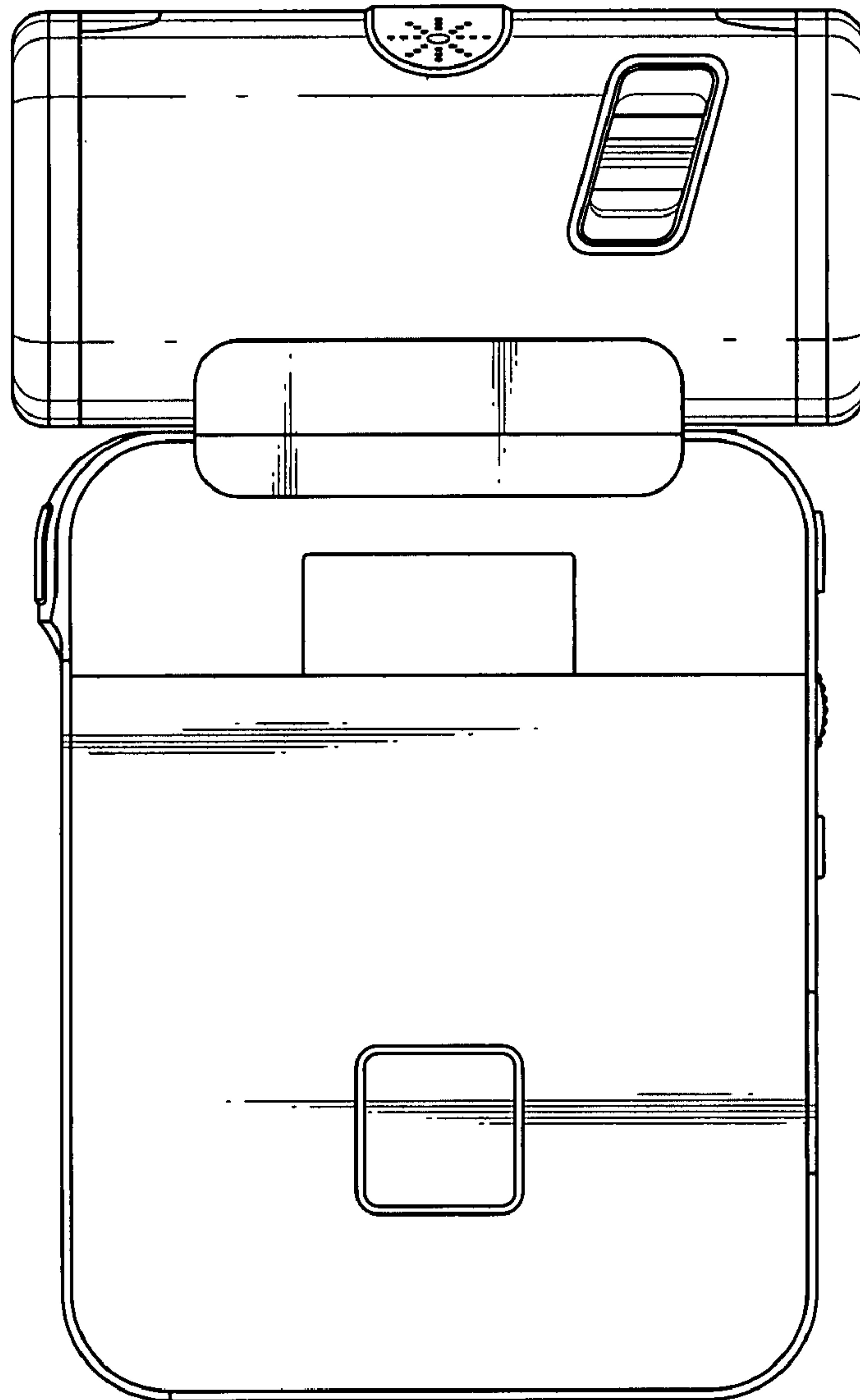


FIG. 3

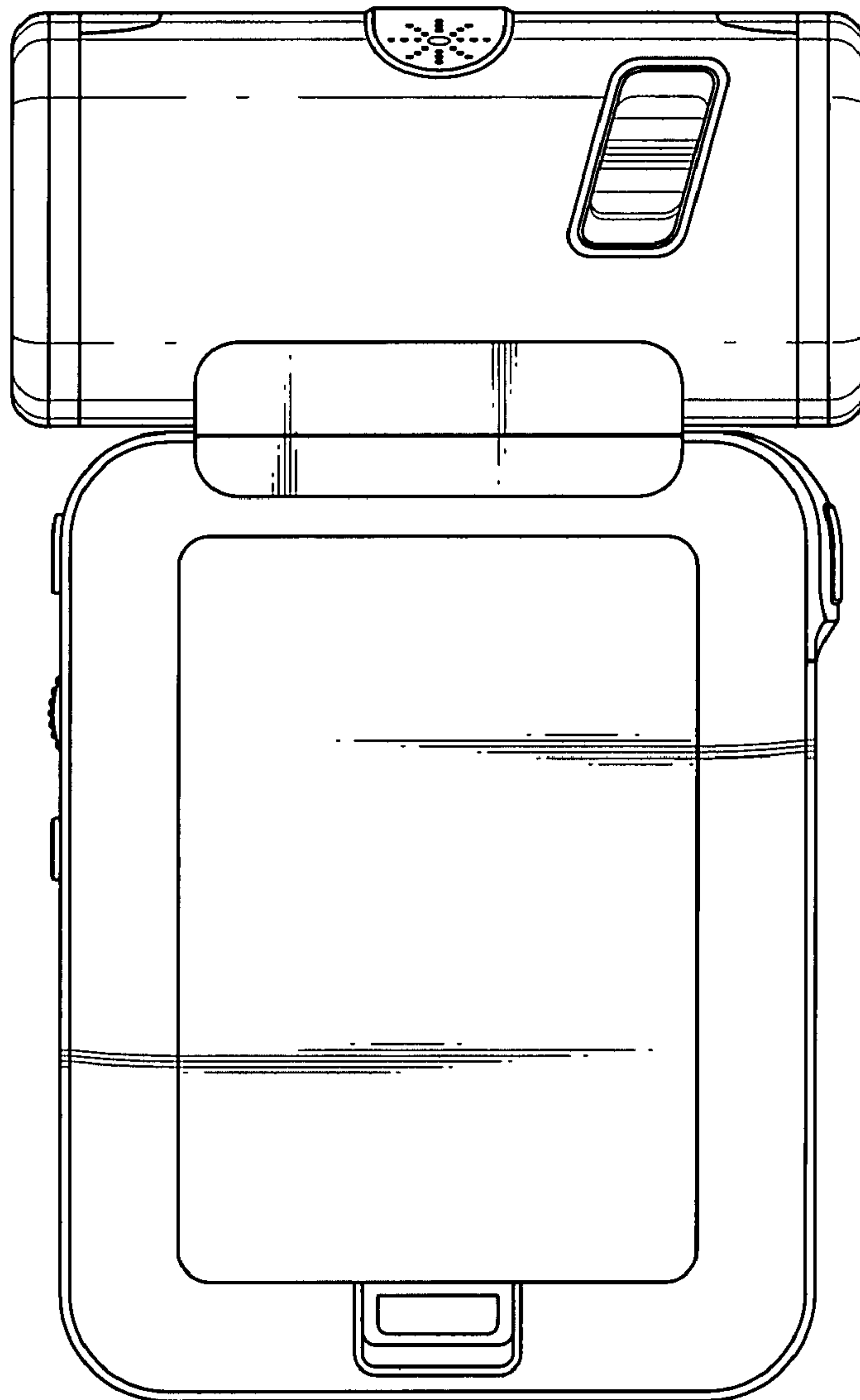


FIG. 4

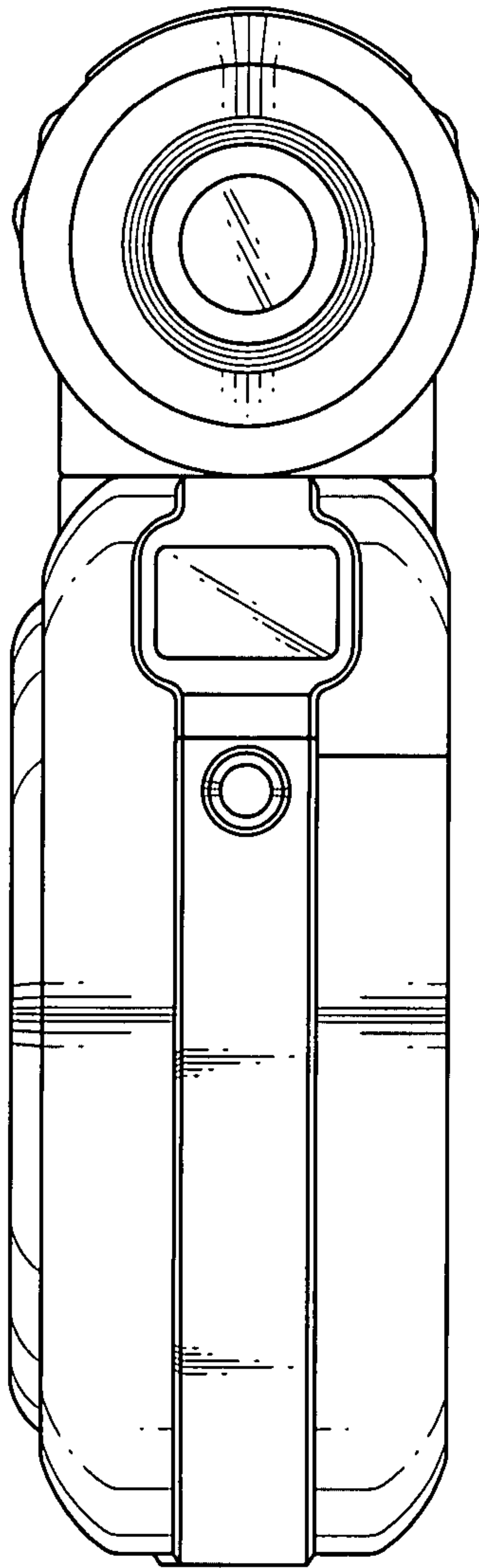


FIG. 5

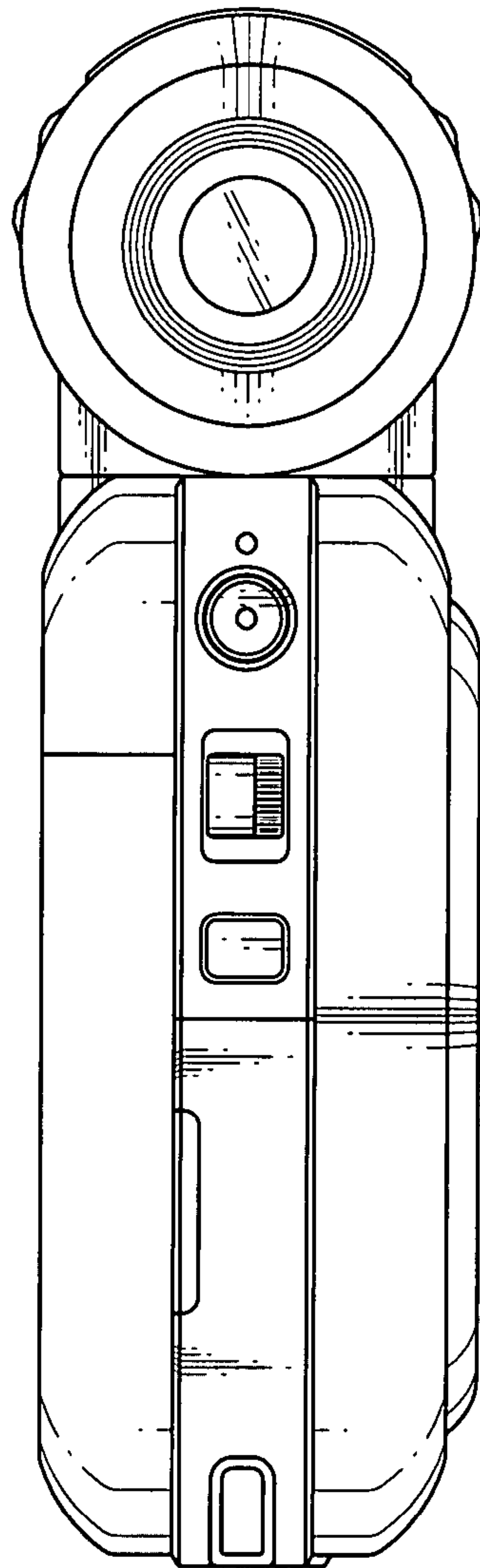


FIG. 6

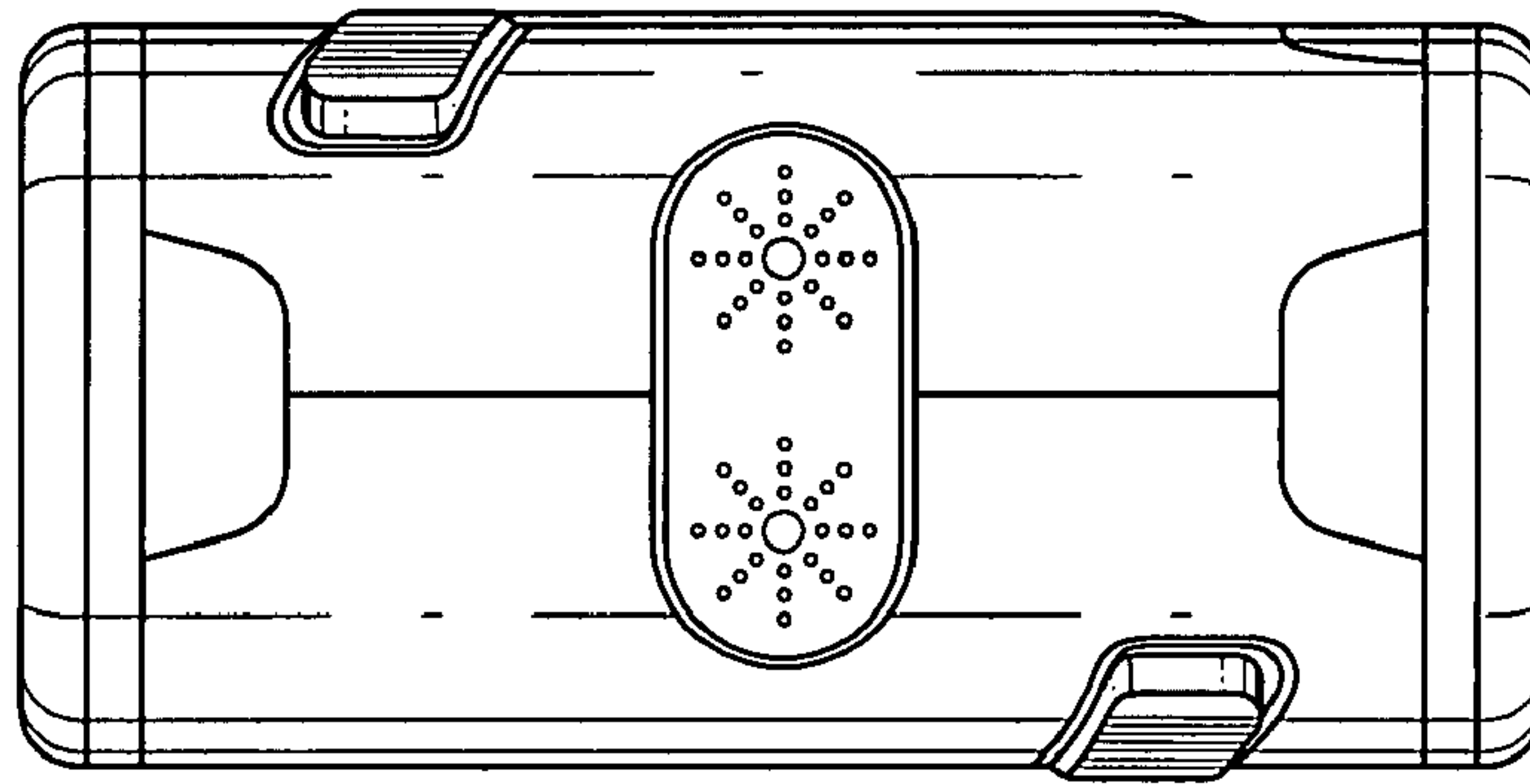


FIG. 7

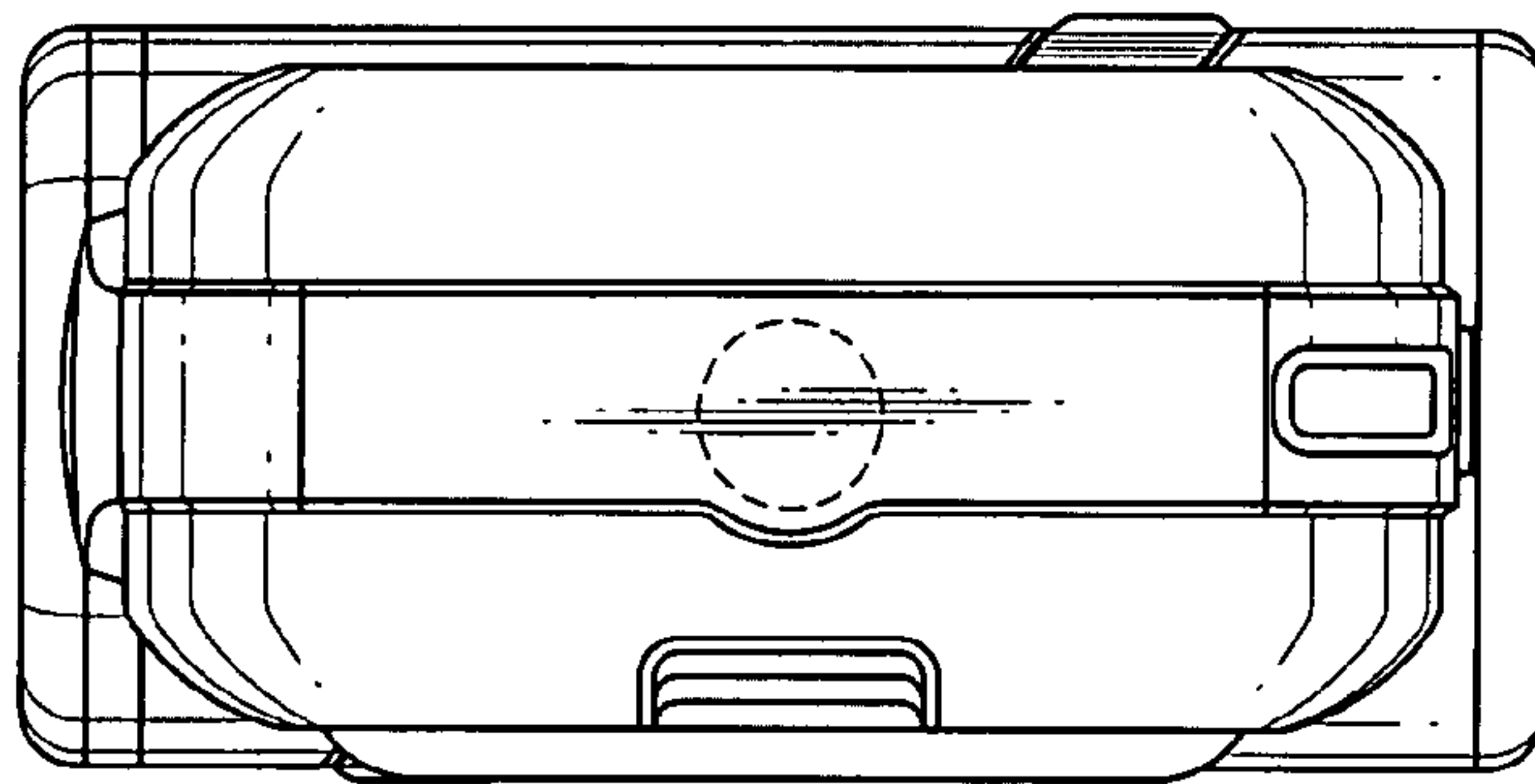


FIG. 8

