



US00D559289S

(12) **United States Design Patent**
Shimizu

(10) **Patent No.:** **US D559,289 S**
(45) **Date of Patent:** **** *Jan. 8, 2008**

(54) **VIDEO CAMERA**

D501,216 S * 1/2005 Shimizu D16/202
D503,731 S * 4/2005 Kinemura et al. D16/202

(75) Inventor: **Minoru Shimizu**, Tokyo (JP)

FOREIGN PATENT DOCUMENTS

(73) Assignee: **Sony Corporation**, Tokyo (JP)

JP D1228745 S 1/2005

(**) Term: **14 Years**

OTHER PUBLICATIONS

(21) Appl. No.: **29/232,881**

Web page "GZ-MC100 HDDCAM" http://www8.yodobashi.com/enjoy/more/i/cat_1045_154_25872396/25856361.html, 1 sheet, Yodobashi Camera (Nov. 2004).

(22) Filed: **Jun. 27, 2005**

* cited by examiner

(30) **Foreign Application Priority Data**

Dec. 27, 2004 (JP) D2004-040020

Primary Examiner—Ian Simmons

Assistant Examiner—Wan Laymon

(51) **LOC (8) Cl.** **16-01**

(52) **U.S. Cl.** **D16/202; D16/205**

(58) **Field of Classification Search** D16/200–206,
D16/208, 218, 230, 231, 217; 348/373–376;
396/535–541, 428–429; 358/906, 909.1
See application file for complete search history.

(74) *Attorney, Agent, or Firm*—Rader, Fishman & Grauer, PLLC

(57) **CLAIM**

The ornamental design for a video camera, as shown.

(56) **References Cited**

DESCRIPTION

U.S. PATENT DOCUMENTS

- D407,097 S * 3/1999 Suzuki et al. D16/202
- D429,267 S 8/2000 Sumita et al.
- D431,582 S * 10/2000 Sumita et al. D16/202
- D463,469 S * 9/2002 Kawase D16/202
- D469,793 S * 2/2003 Onoda et al. D16/202
- D469,794 S * 2/2003 Onoda et al. D16/202
- D488,495 S 4/2004 Shimizu
- 6,727,954 B1 * 4/2004 Okada et al. 348/374
- D499,437 S * 12/2004 Miyamori et al. D16/202
- D500,069 S 12/2004 Hayashi

FIG. 1 is a perspective view of a video camera showing my new design;

FIG. 2 is a front elevational view thereof;

FIG. 3 is a rear elevational view thereof;

FIG. 4 is a left side elevational view thereof;

FIG. 5 is a right side elevational view thereof;

FIG. 6 is a top plan view thereof; and,

FIG. 7 is a bottom plan view thereof.

1 Claim, 7 Drawing Sheets

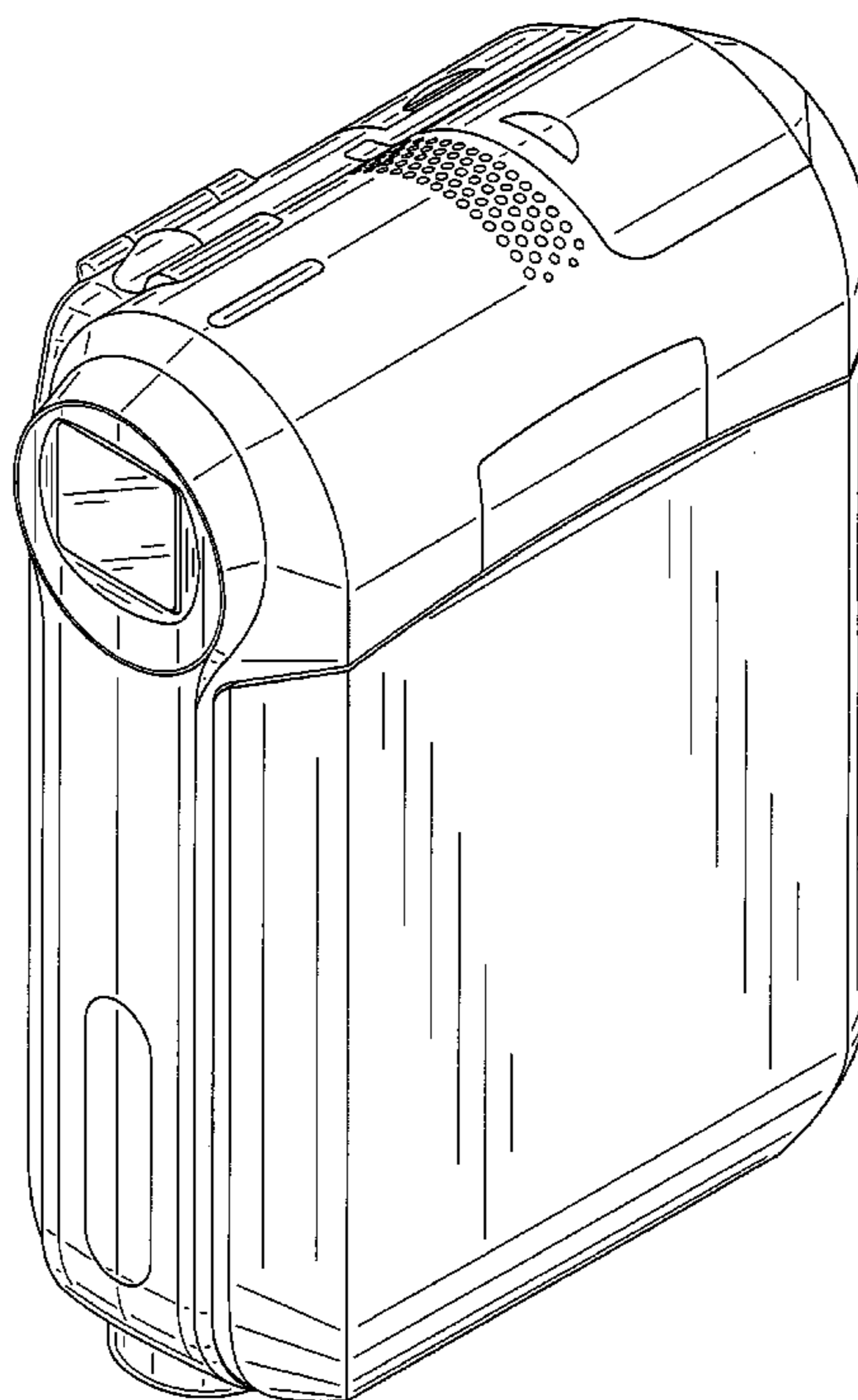


Fig. 1

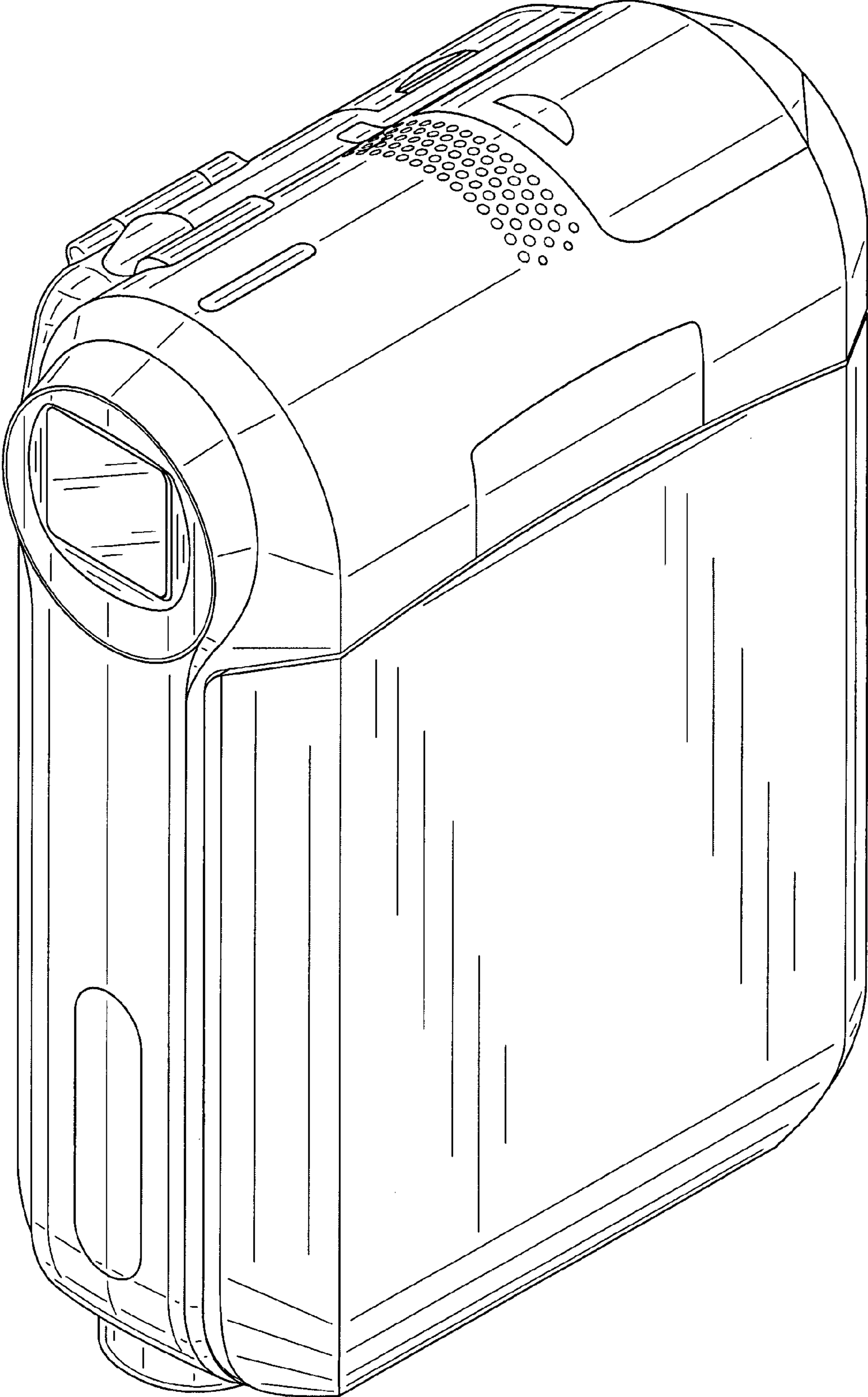


Fig.2

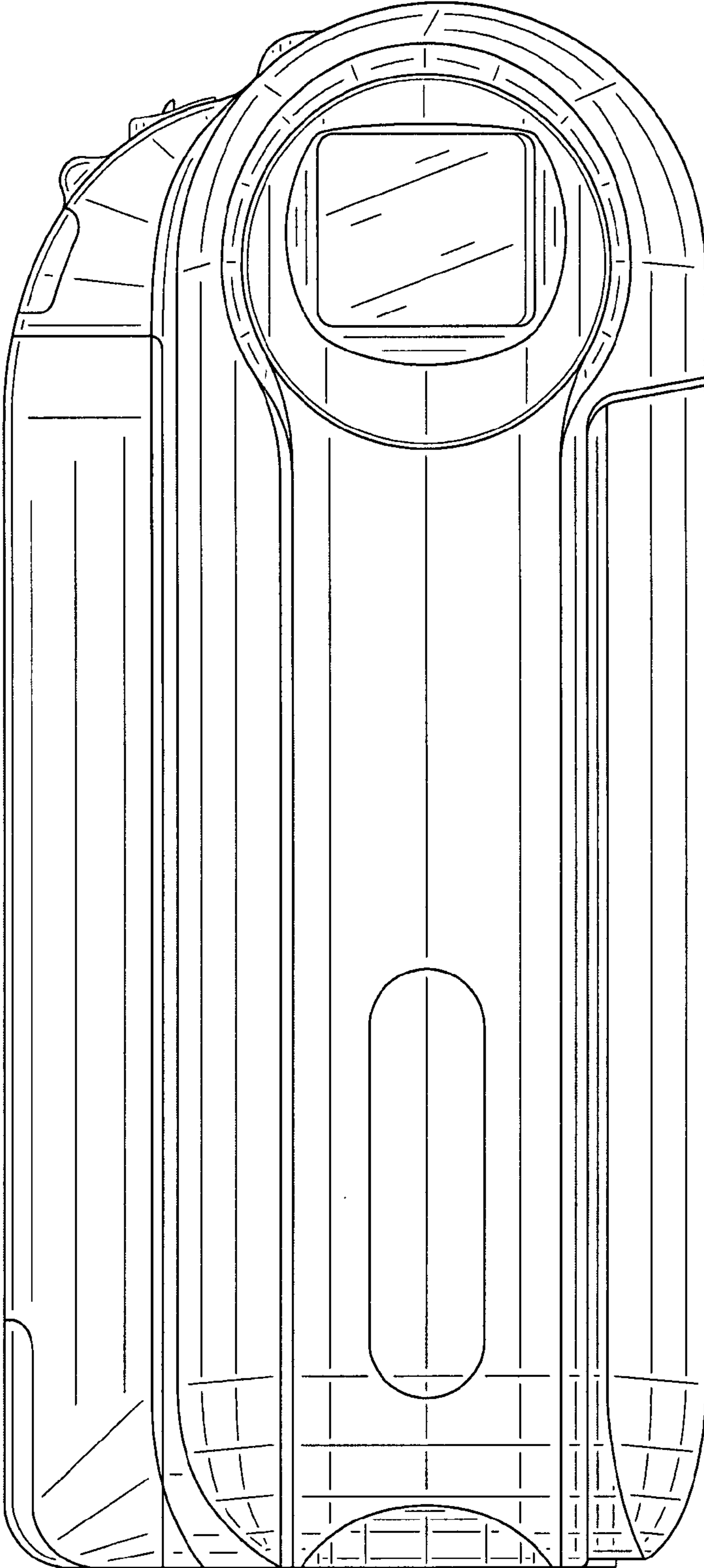


Fig.3

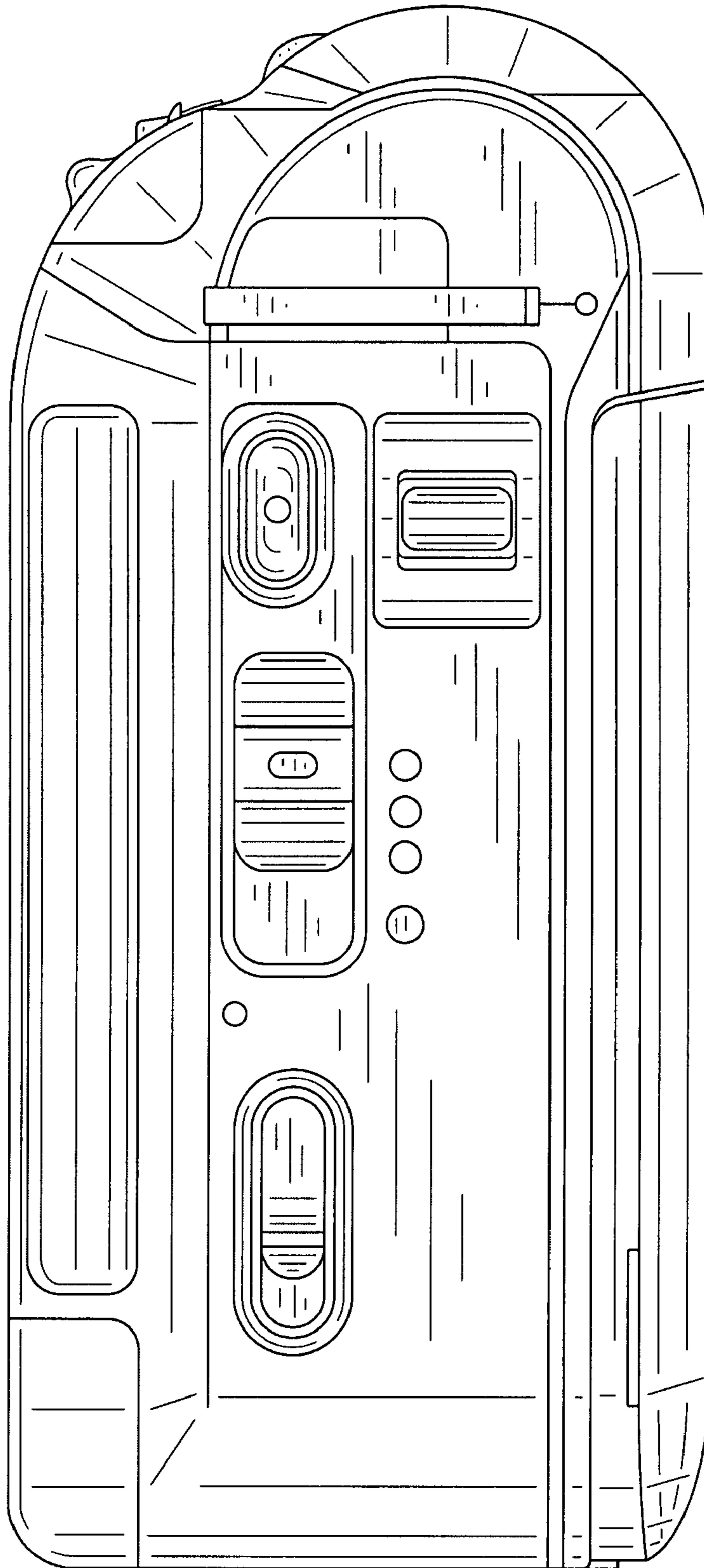


Fig.4

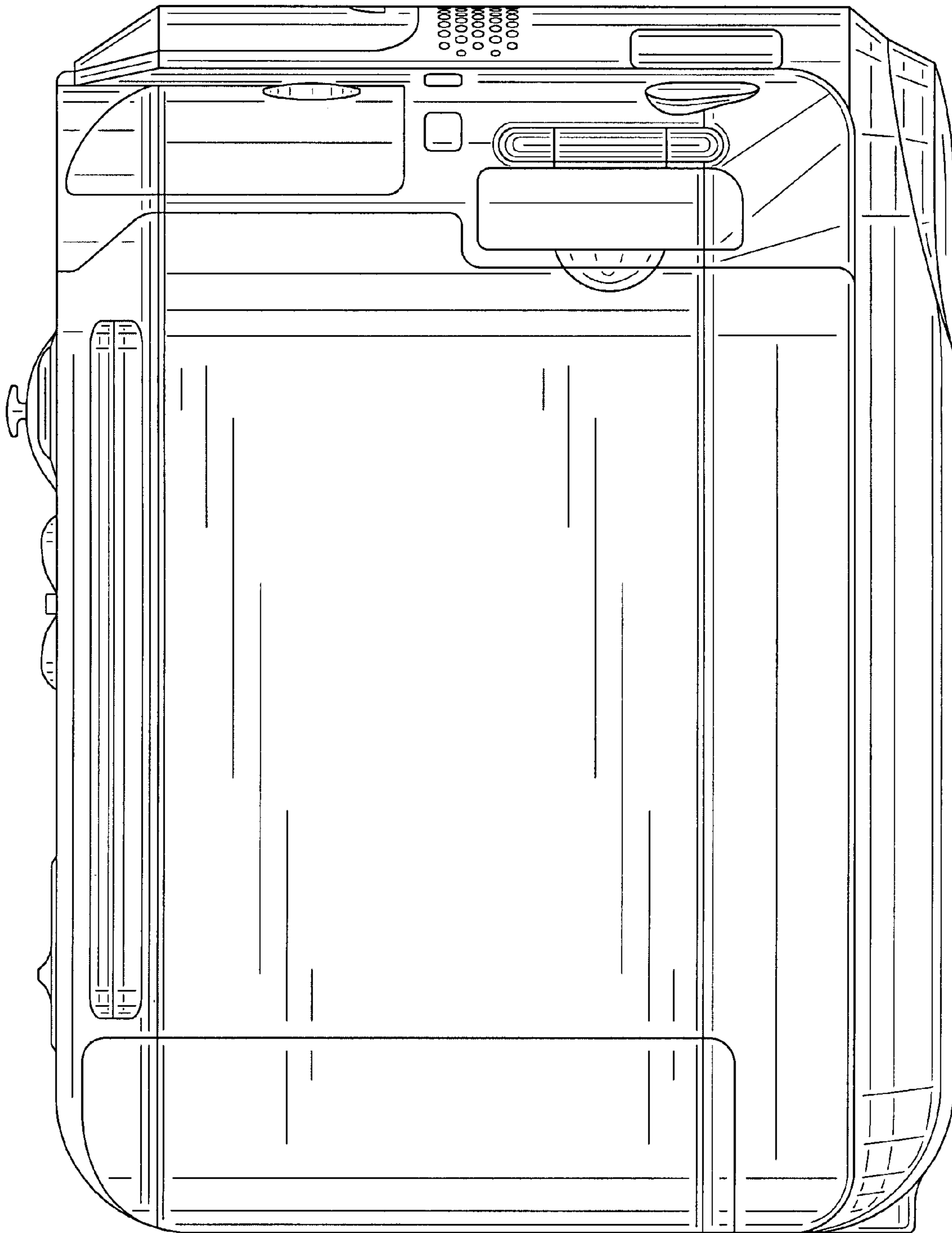


Fig.5

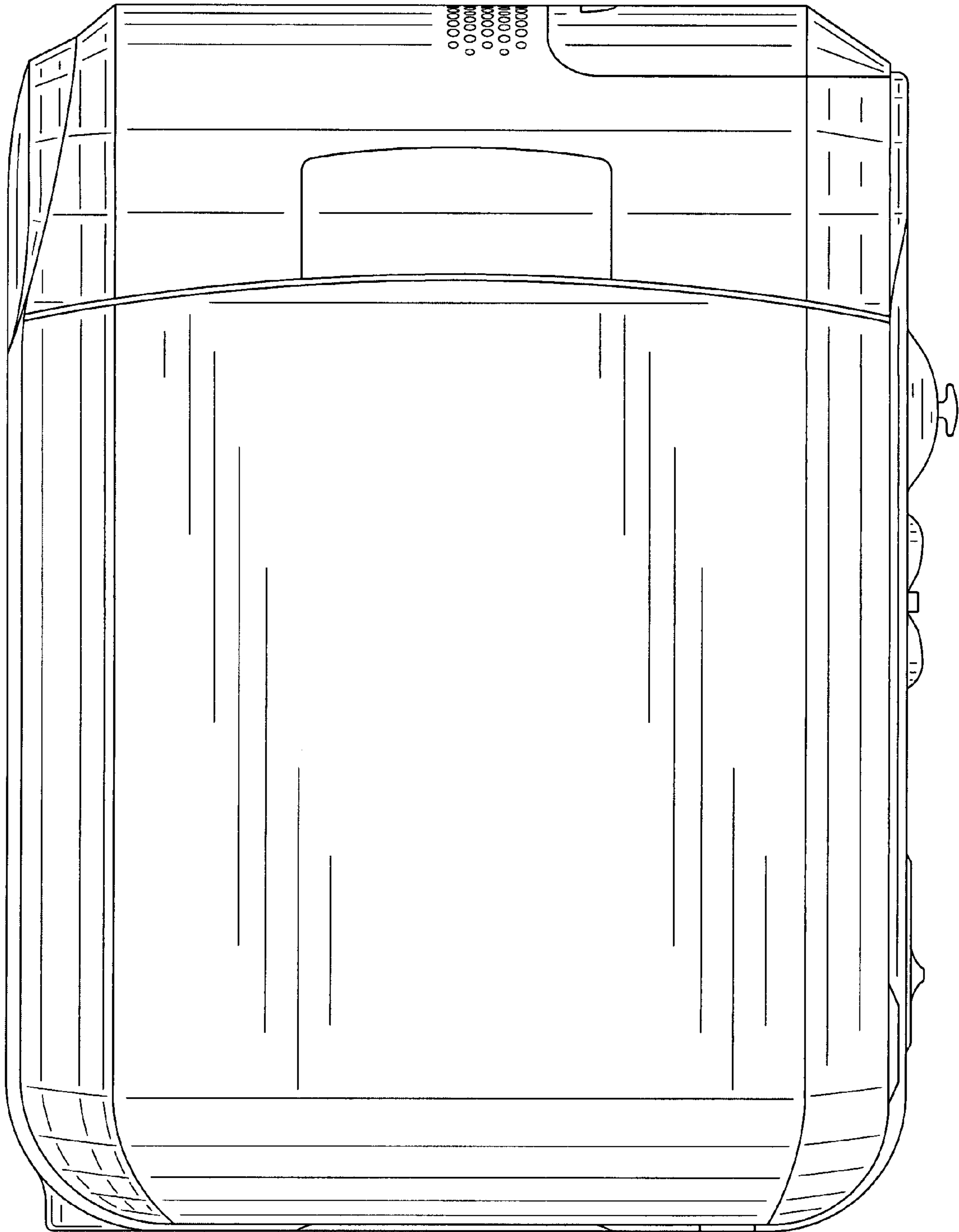


Fig.6

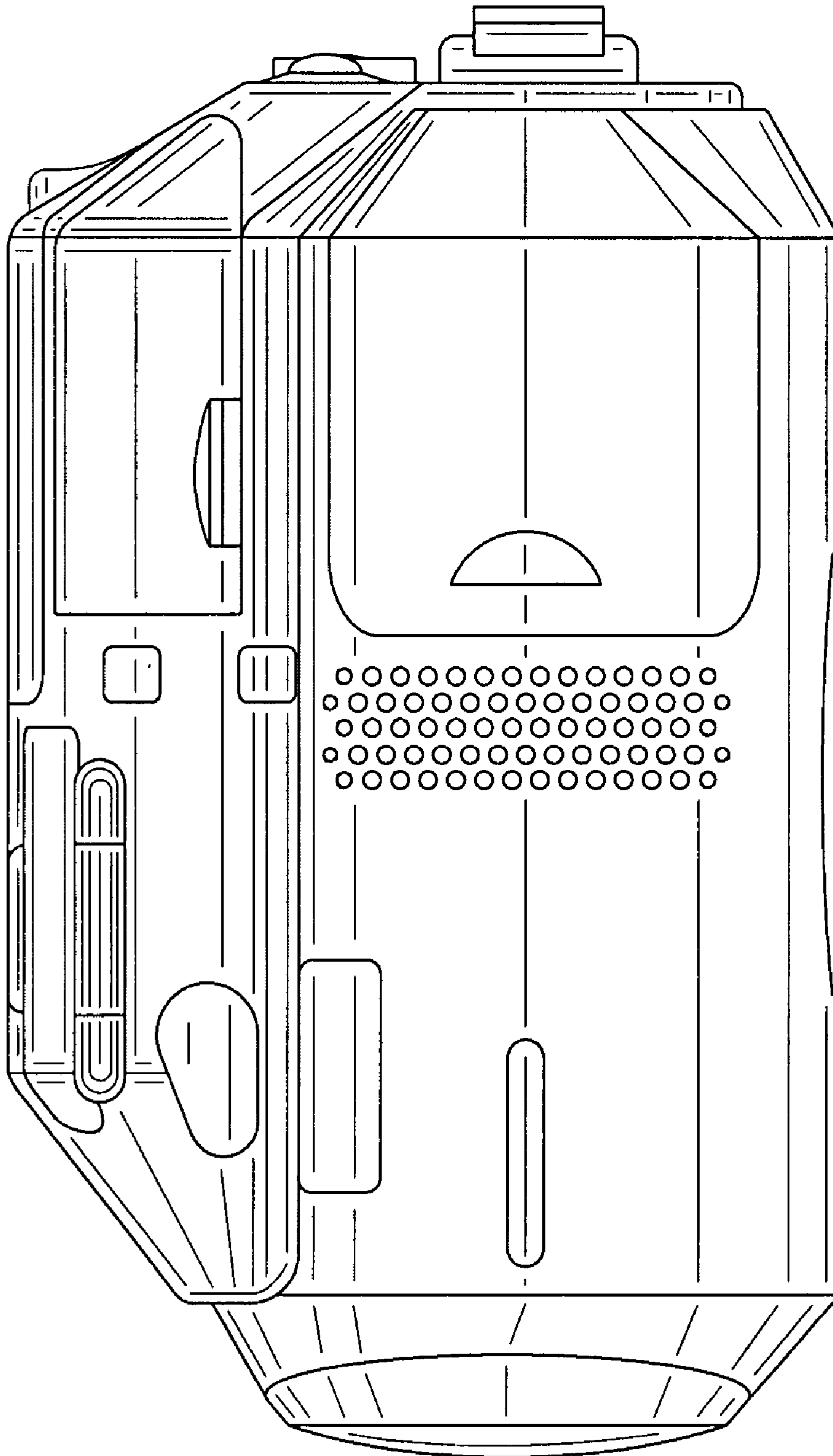


Fig.7

