



US00D559288S

(12) **United States Design Patent**
Matsuda

(10) **Patent No.:** **US D559,288 S**
(45) **Date of Patent:** **** Jan. 8, 2008**

(54) **ROBOT**

7,228,203 B2 * 6/2007 Koselka et al. 318/568.12
2007/0132419 A1 * 6/2007 Hashimoto et al. 318/568.12

(75) Inventor: **Yoshihiro Matsuda**, Toyota (JP)

(73) Assignee: **Toyota Jidosha Kabushiki Kaisha**,
Toyota (JP)

(**) Term: **14 Years**

(21) Appl. No.: **29/274,197**

(22) Filed: **Apr. 4, 2007**

(51) **LOC (8) Cl.** **15-09**

(52) **U.S. Cl.** **D15/199; D21/578**

(58) **Field of Classification Search** D15/199;
D21/578-583, 593, 594, 621, 622; 180/8.6;
318/568.12, 568.2; 364/424.02; 446/268,
446/269-274, 279, 280, 285, 289-292, 294,
446/297-303, 353-355, 376-384

See application file for complete search history.

(56) **References Cited**

U.S. PATENT DOCUMENTS

3,728,815	A *	4/1973	Tomiyama	446/291
4,583,957	A *	4/1986	Levy	446/177
D290,032	S *	5/1987	Horiuchi	D21/578
D293,344	S *	12/1987	Shiraishi	D21/578
4,717,364	A *	1/1988	Furukawa	446/175
D298,766	S *	11/1988	Tanno et al.	D21/578
D371,174	S *	6/1996	Tsai	D21/578
D453,361	S *	2/2002	Tsai	D21/578
6,604,021	B2 *	8/2003	Imai et al.	318/568.12

OTHER PUBLICATIONS

Fujitsu Enon, Press Release of Fujitsu Frontech Limited, Sep. 2005 (one page).

Hitachi Emiew, Press Release of Hitachi, Ltd., Mar. 15, 2005 (one page).

* cited by examiner

Primary Examiner—Gary D. Watson

Assistant Examiner—Patricia Palasik

(74) *Attorney, Agent, or Firm*—Finnegan, Henderson, Farabow, Garrett & Dunner, L.L.P.

(57) **CLAIM**

The ornamental design for a robot, as shown and described.

DESCRIPTION

FIG. 1 is a front, perspective view of a robot of my new design;

FIG. 2 is a rear perspective view thereof;

FIG. 3 is a right side elevational view thereof;

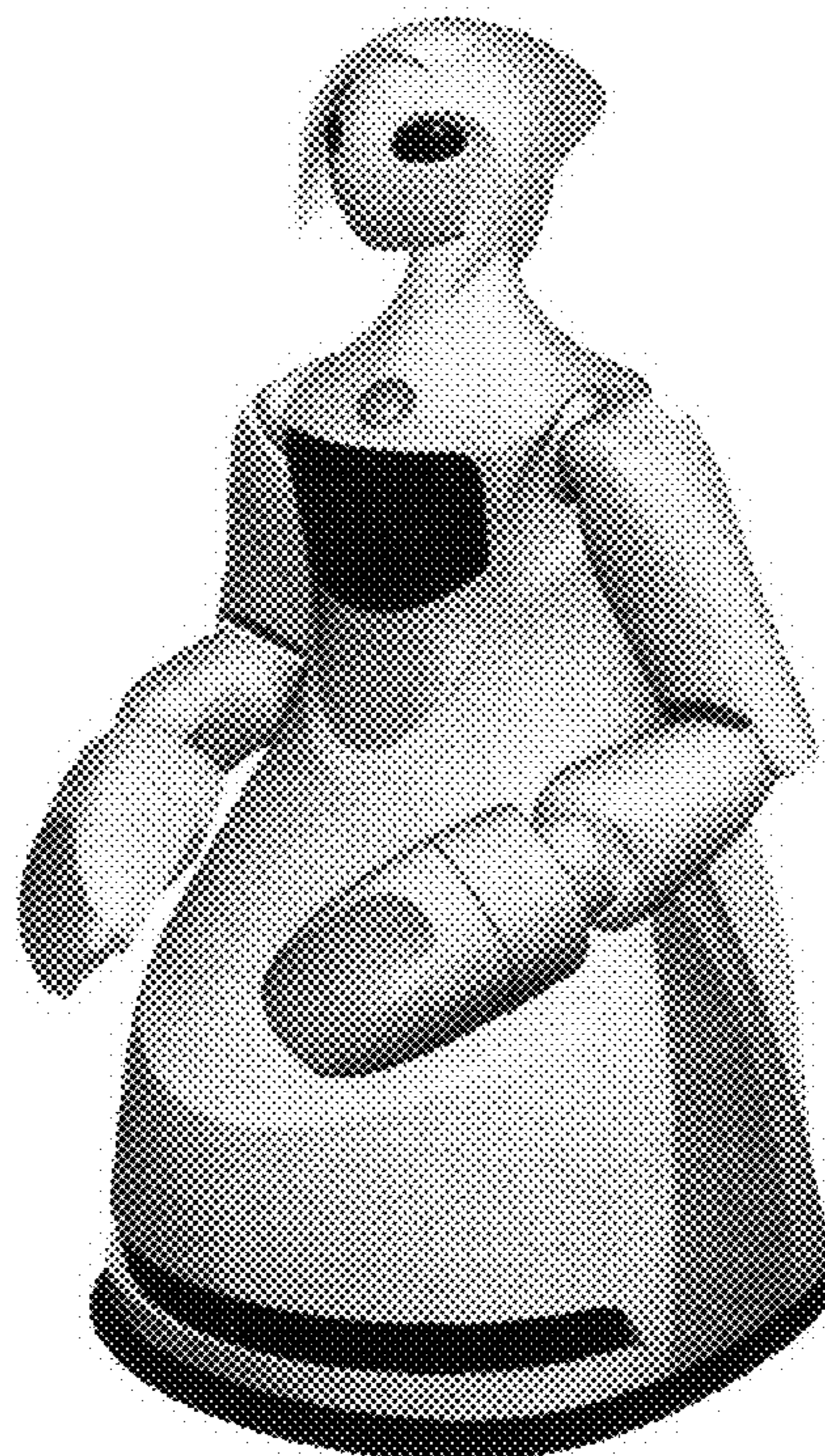
FIG. 4 is a front elevational view thereof;

FIG. 5 is a rear elevational view thereof;

FIG. 6 is a left side elevational view thereof; and,

FIG. 7 is a top plan view thereof.

1 Claim, 4 Drawing Sheets



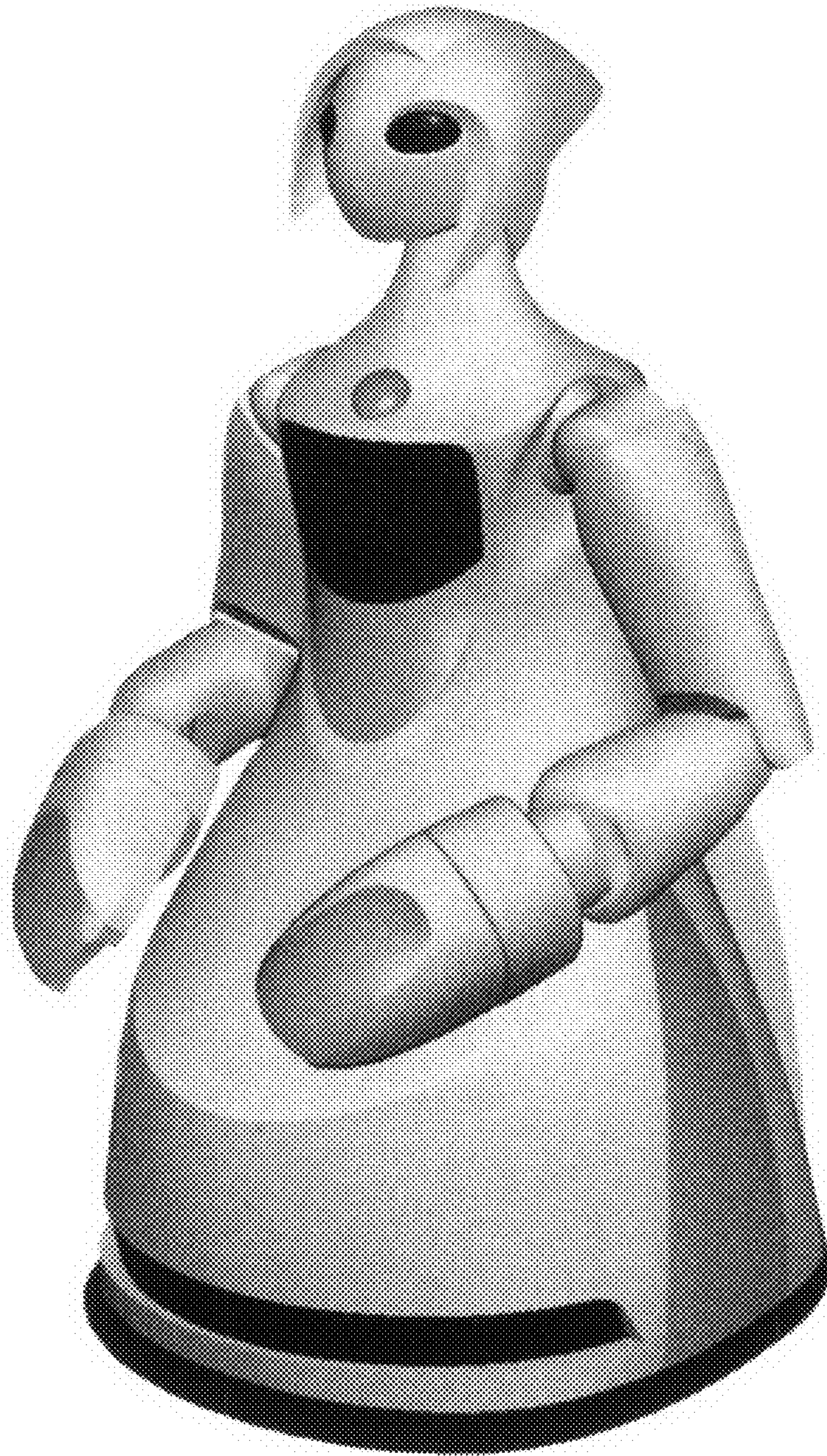


FIG. 1

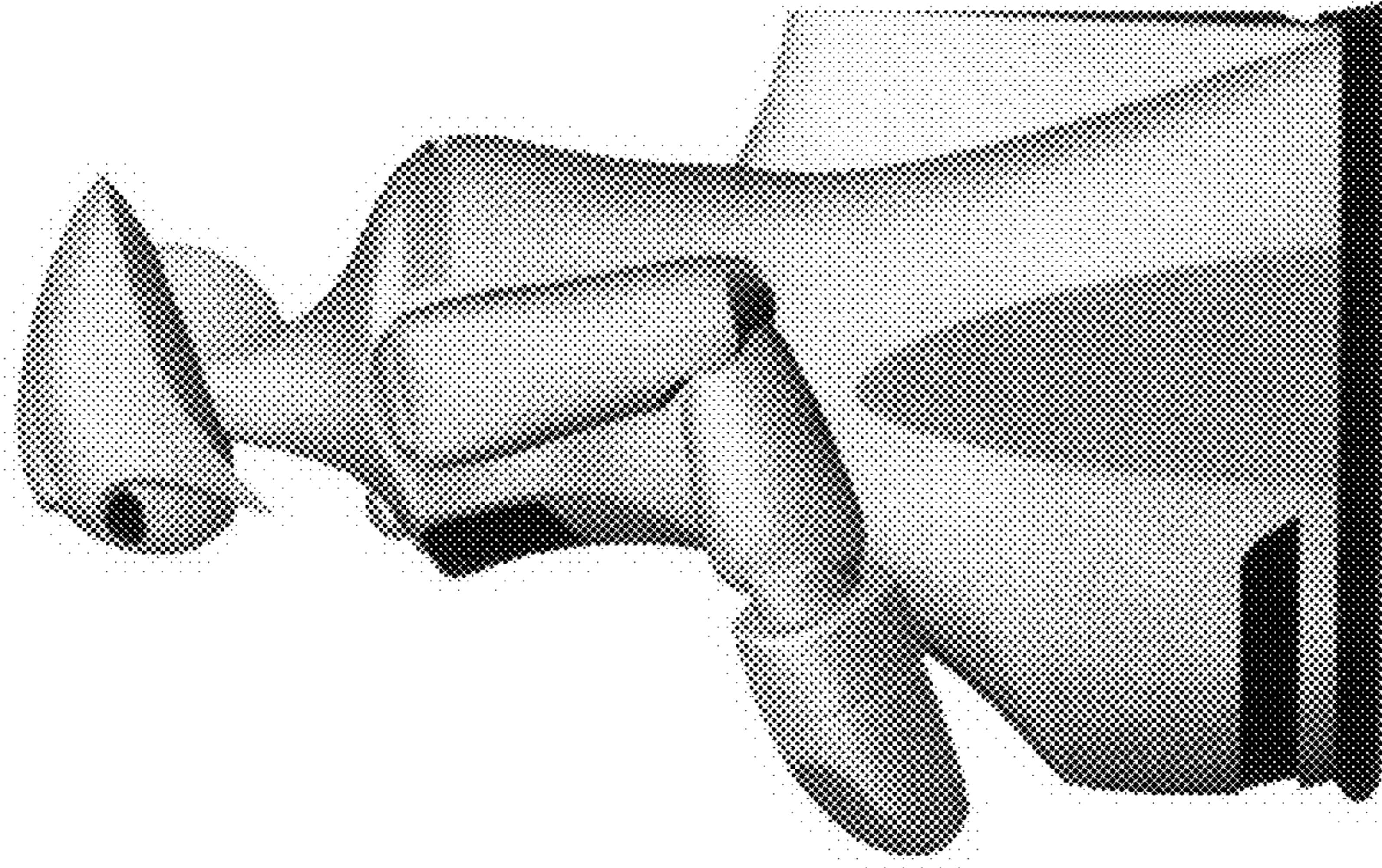


FIG. 2

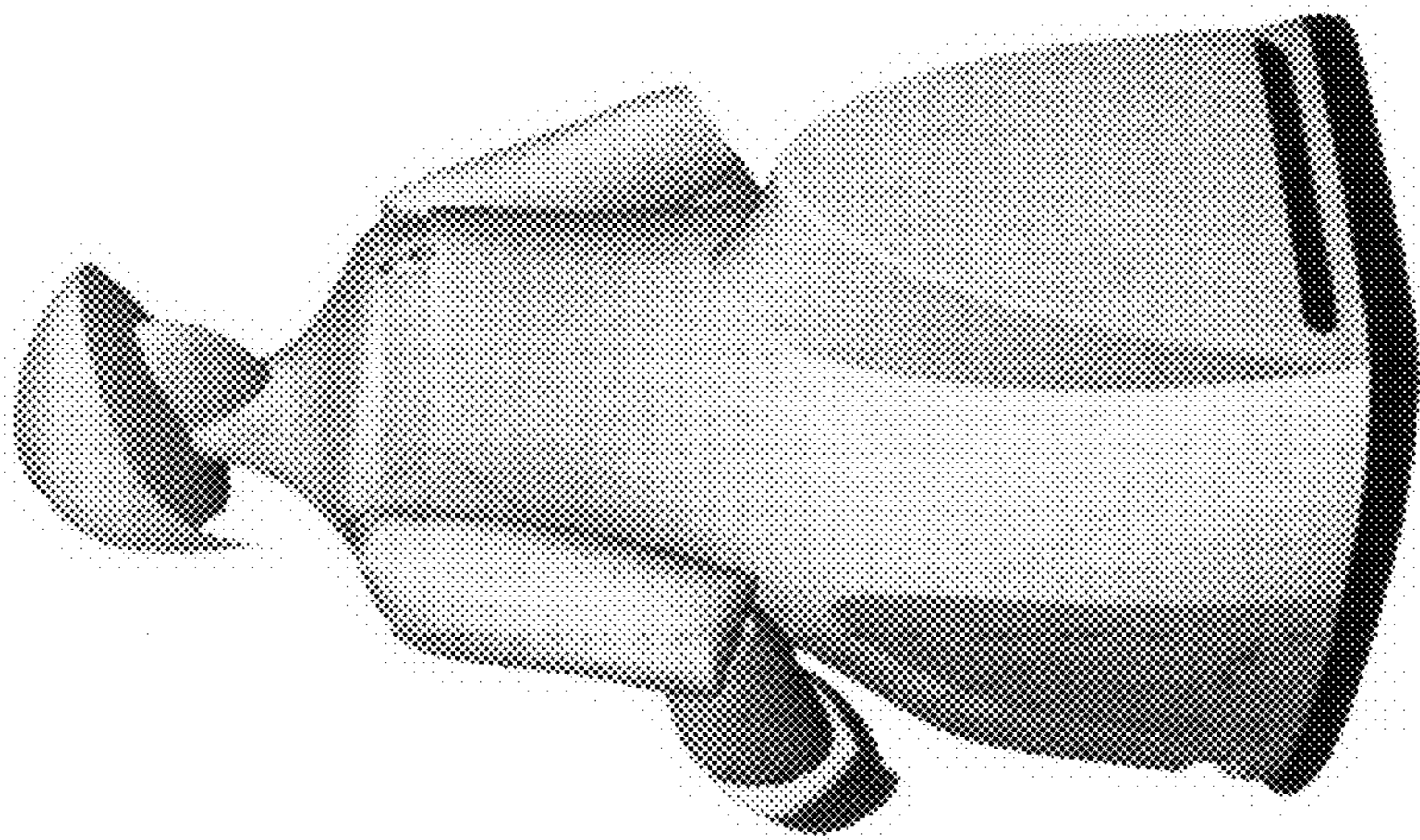


FIG. 3

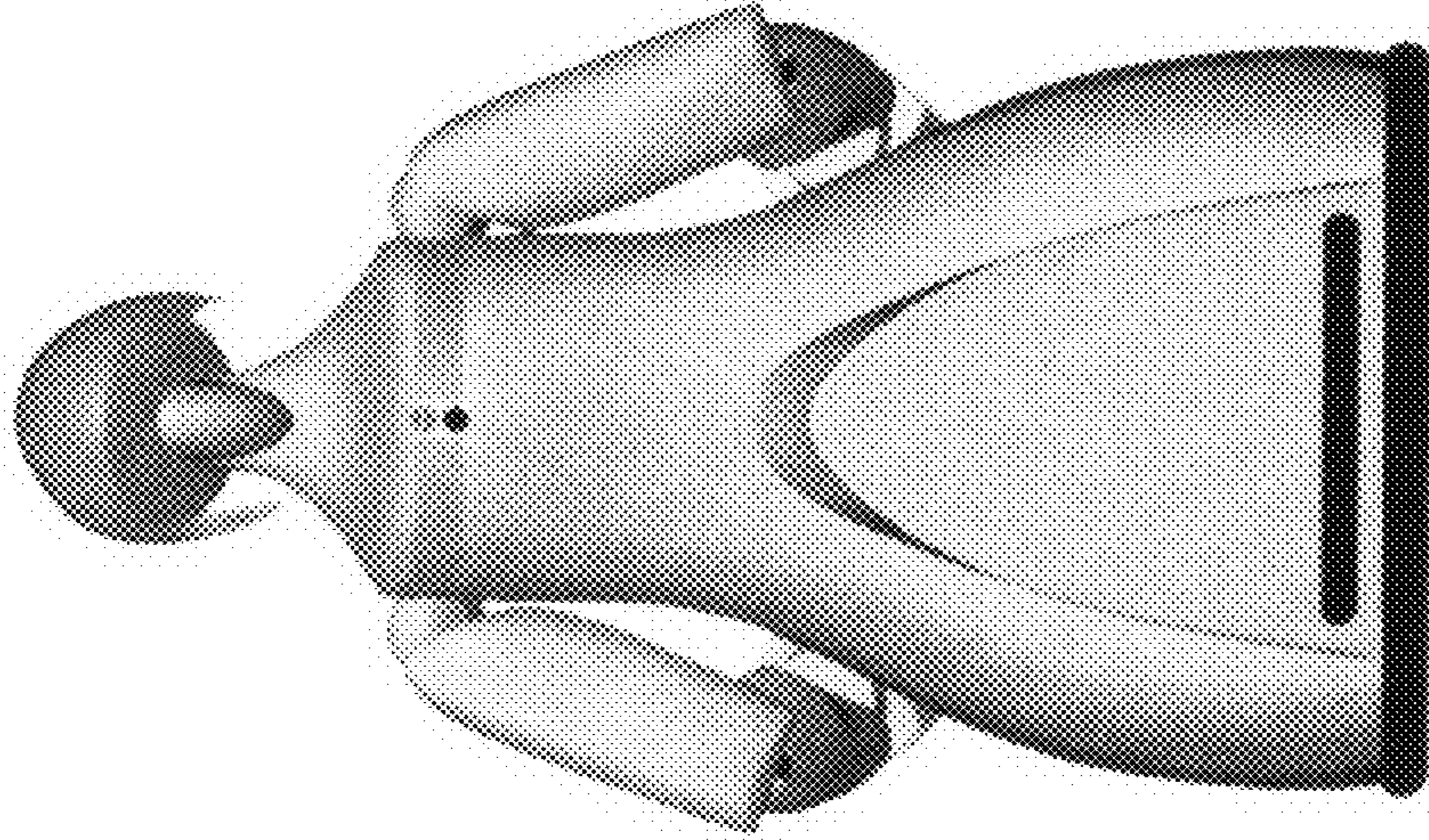


FIG. 4

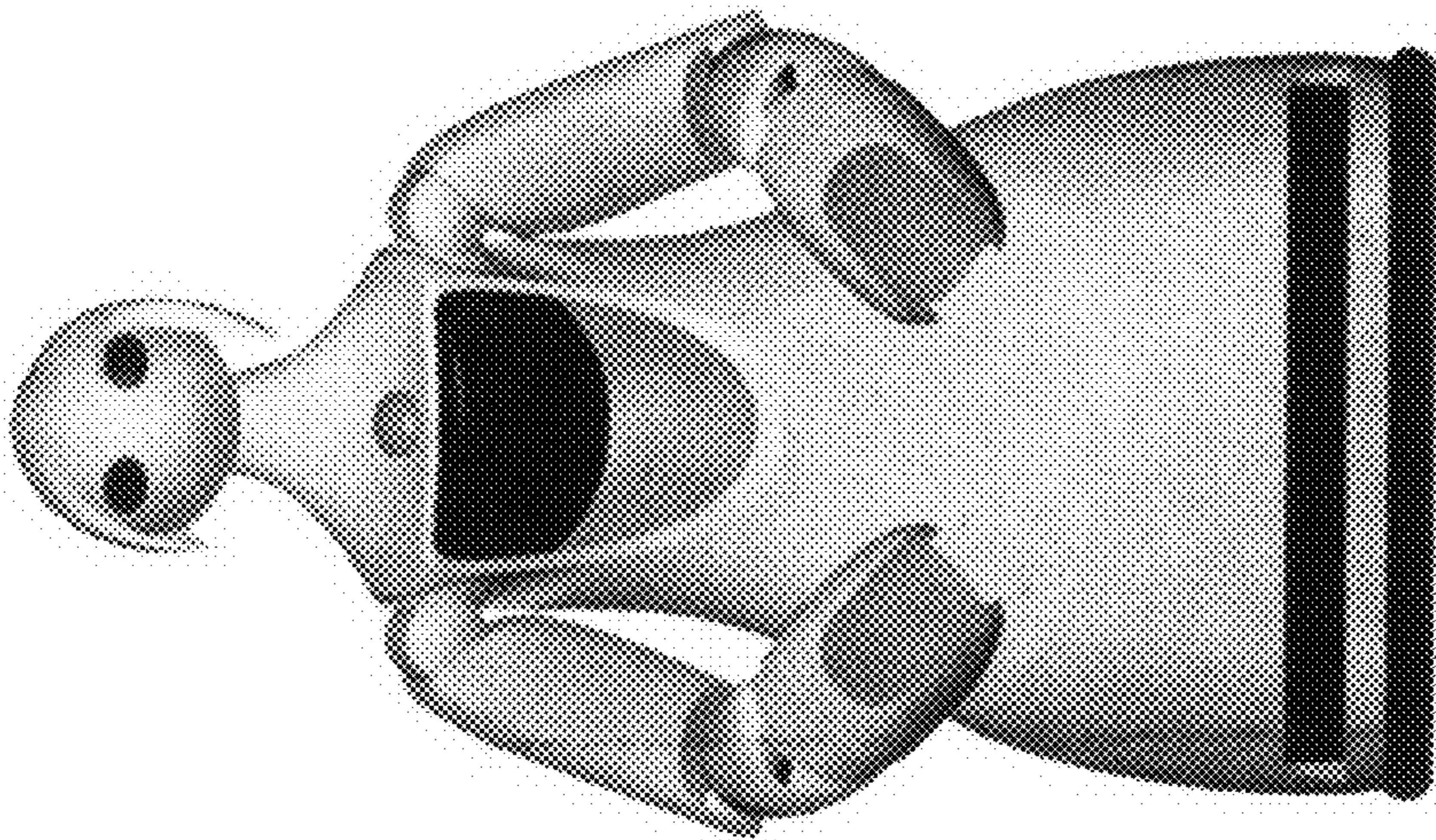


FIG. 5

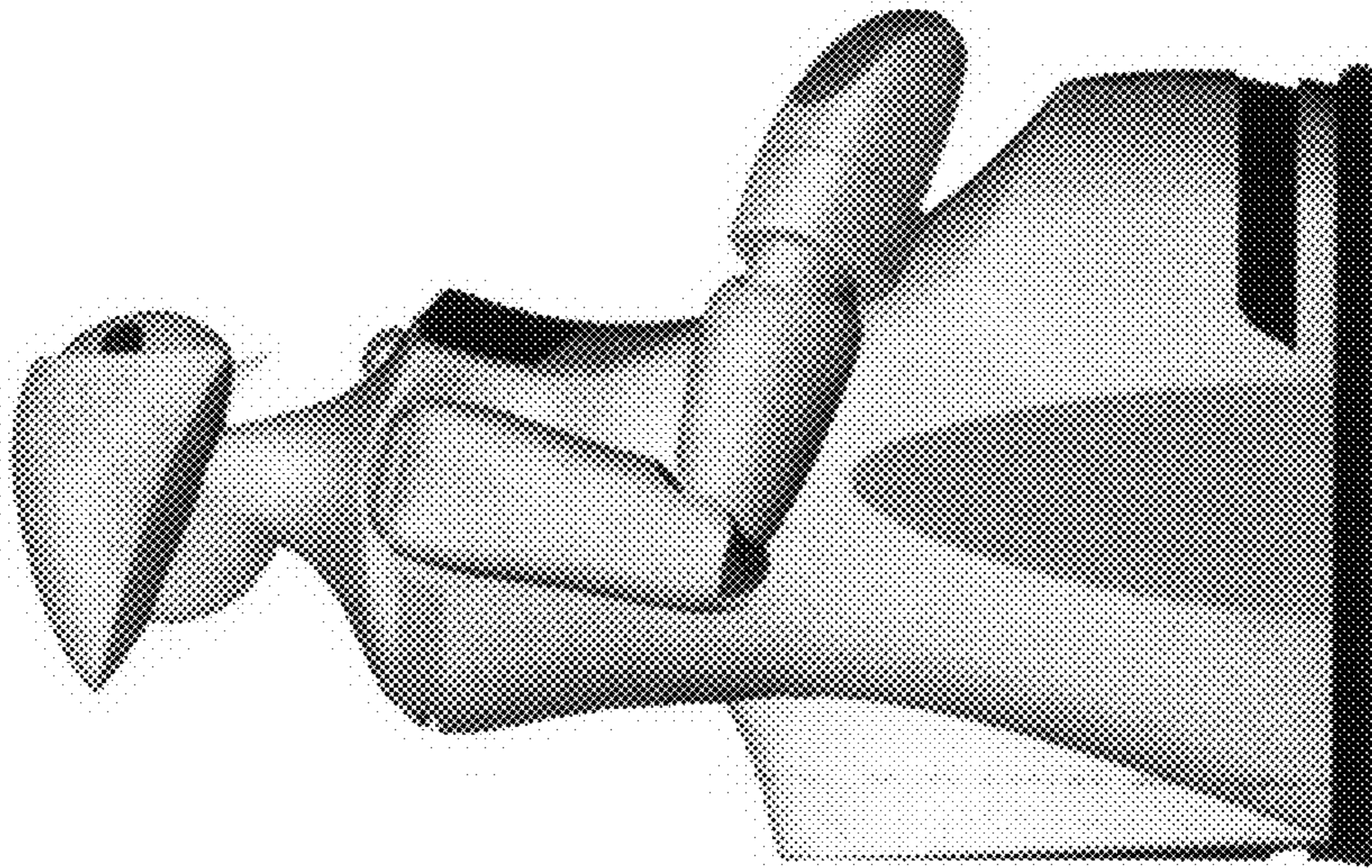


FIG. 6

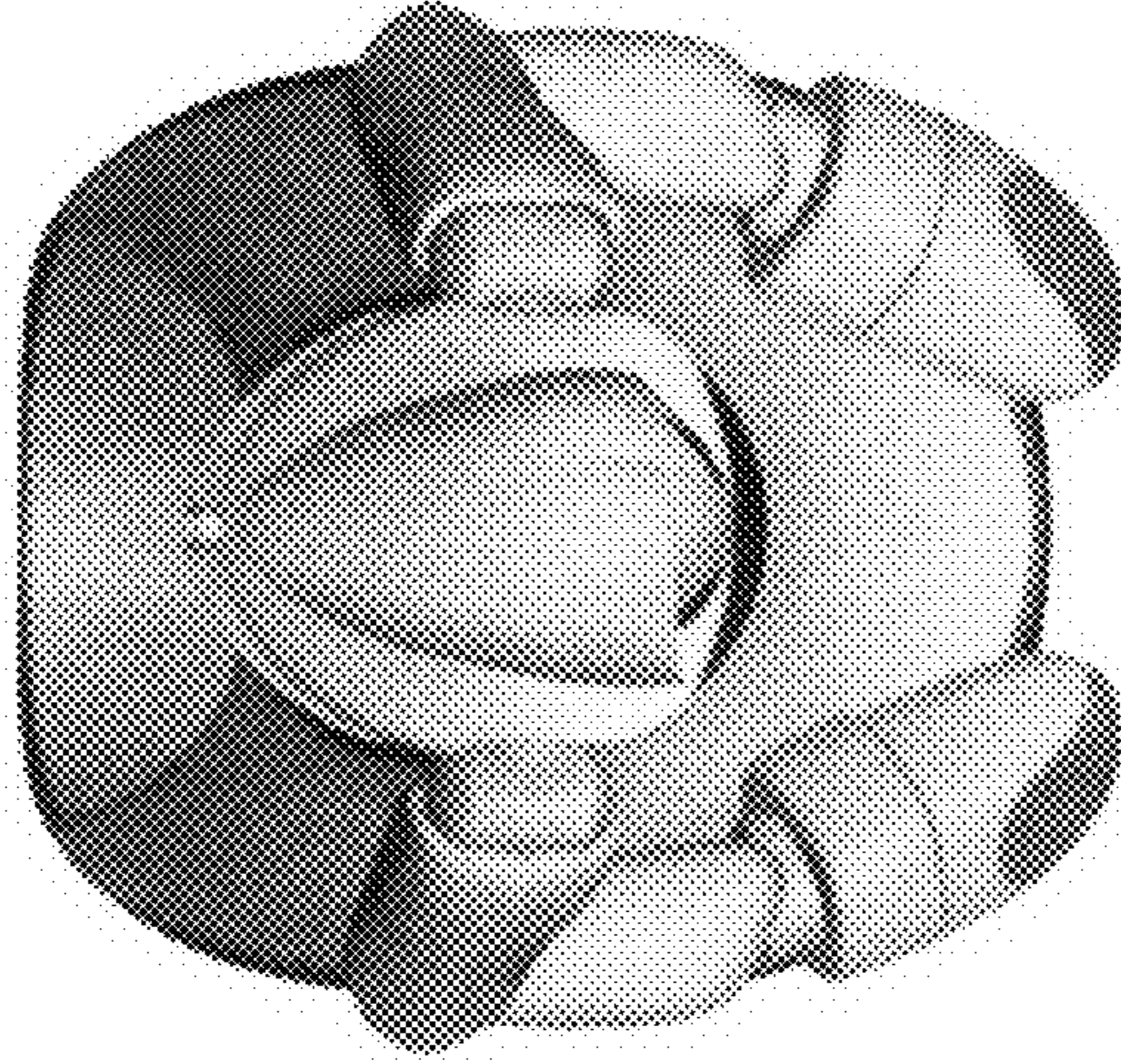


FIG. 7