



US00D559285S

(12) **United States Design Patent**
Galomb

(10) **Patent No.:** **US D559,285 S**

(45) **Date of Patent:** **** Jan. 8, 2008**

(54) **INJECTION MOLDING MACHINE**

2005/0161847 A1* 7/2005 Weatherall et al. 264/40.1

(76) Inventor: **David E. Galomb**, 523 N. 22nd St.,
Allentown, PA (US) 18104

* cited by examiner

Primary Examiner—Antoine D. Davis

Assistant Examiner—Patricia Palasik

(**) Term: **14 Years**

(21) Appl. No.: **29/239,767**

(57) **CLAIM**

(22) Filed: **Oct. 3, 2005**

The ornamental design for an injection molding machine, as shown.

(51) **LOC (8) Cl.** **15-09**

(52) **U.S. Cl.** **D15/135**

(58) **Field of Classification Search** D15/135,
D15/136; 264/40.1, 40.5; 425/150, 152,
425/190, 585, 589, 593

See application file for complete search history.

DESCRIPTION

FIG. 1 is a perspective view of an injection molding machine showing my new design;

FIG. 2 is a first side view thereof;

FIG. 3 is a front view thereof;

FIG. 4 is a second side view thereof;

FIG. 5 is a back view thereof;

FIG. 6 is a top plan view thereof; and,

FIG. 7 is a bottom plan view thereof.

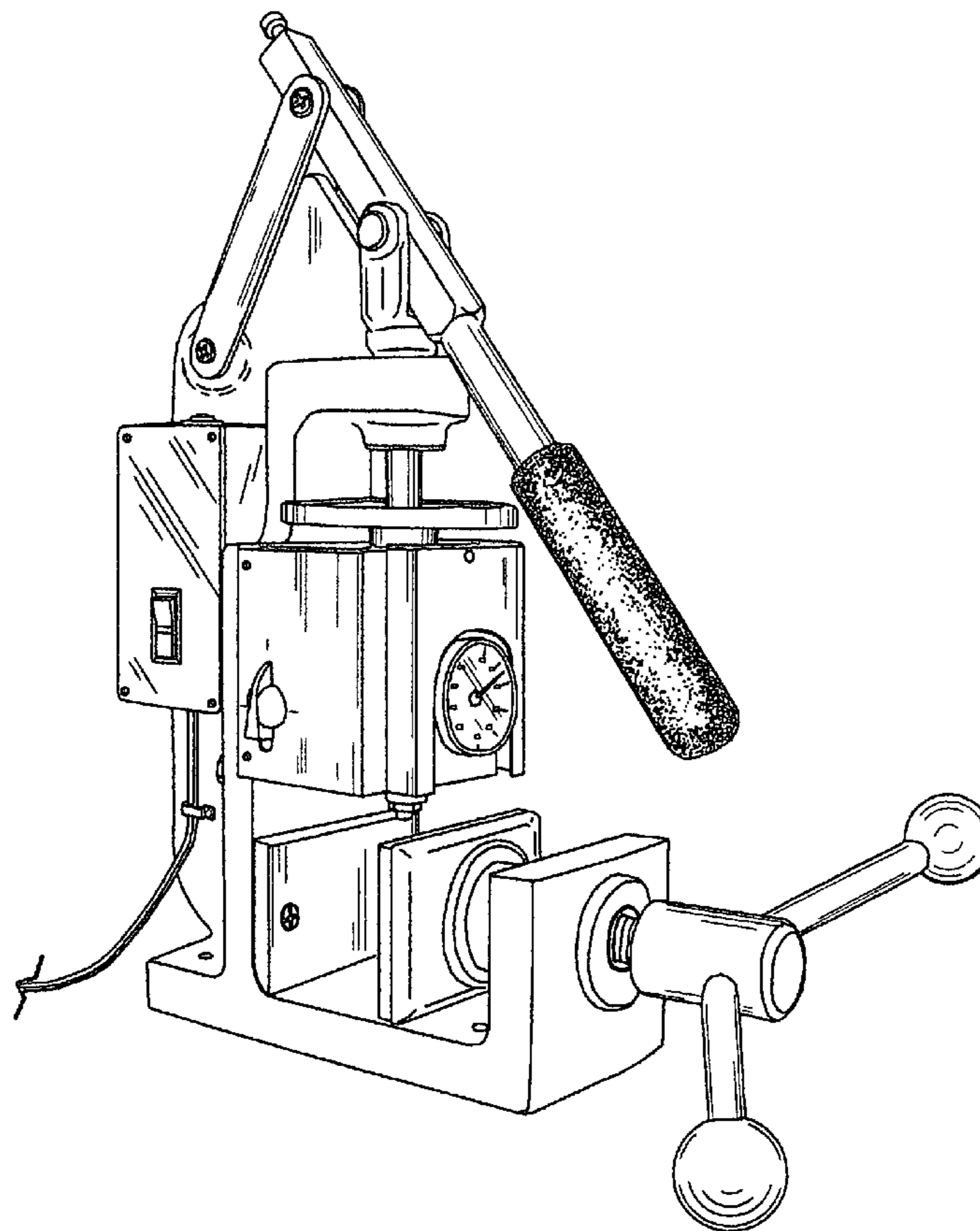
The broken line showing of the injection molding machine is included for the purpose of illustrating portions of the injection molding machine and forms no part of the claimed design.

(56) **References Cited**

U.S. PATENT DOCUMENTS

D202,924 S *	11/1965	Jacobs	D15/135
D231,487 S *	4/1974	Pracilio	D15/135
D231,709 S *	5/1974	Pracilio	D15/135
D234,470 S *	3/1975	Haygeman	D15/135
6,517,337 B1 *	2/2003	Hehl	425/190
6,821,463 B2 *	11/2004	Di Dio et al.	264/40.5
6,841,103 B2 *	1/2005	Kishi et al.	264/40.5

1 Claim, 7 Drawing Sheets



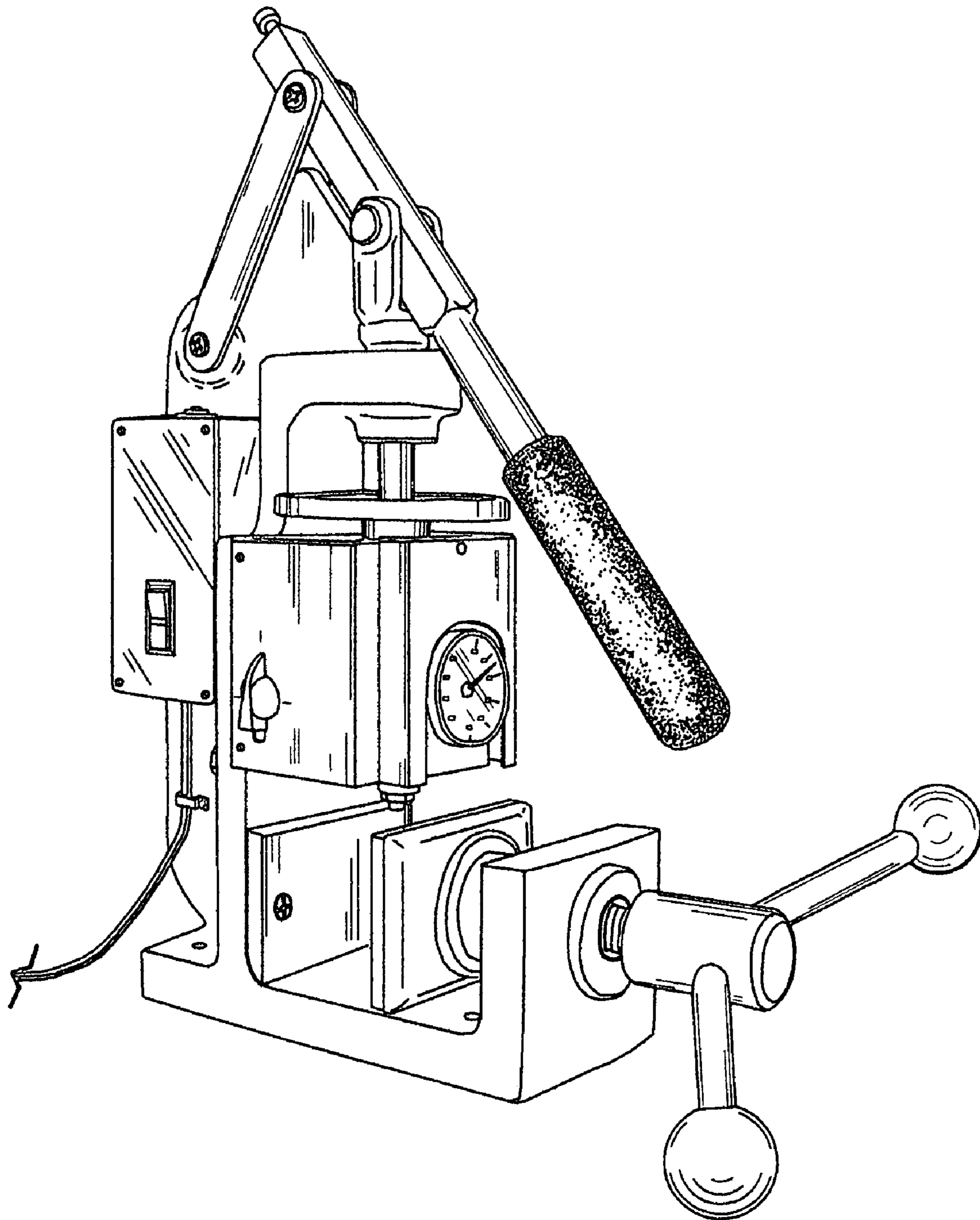


FIG. 1

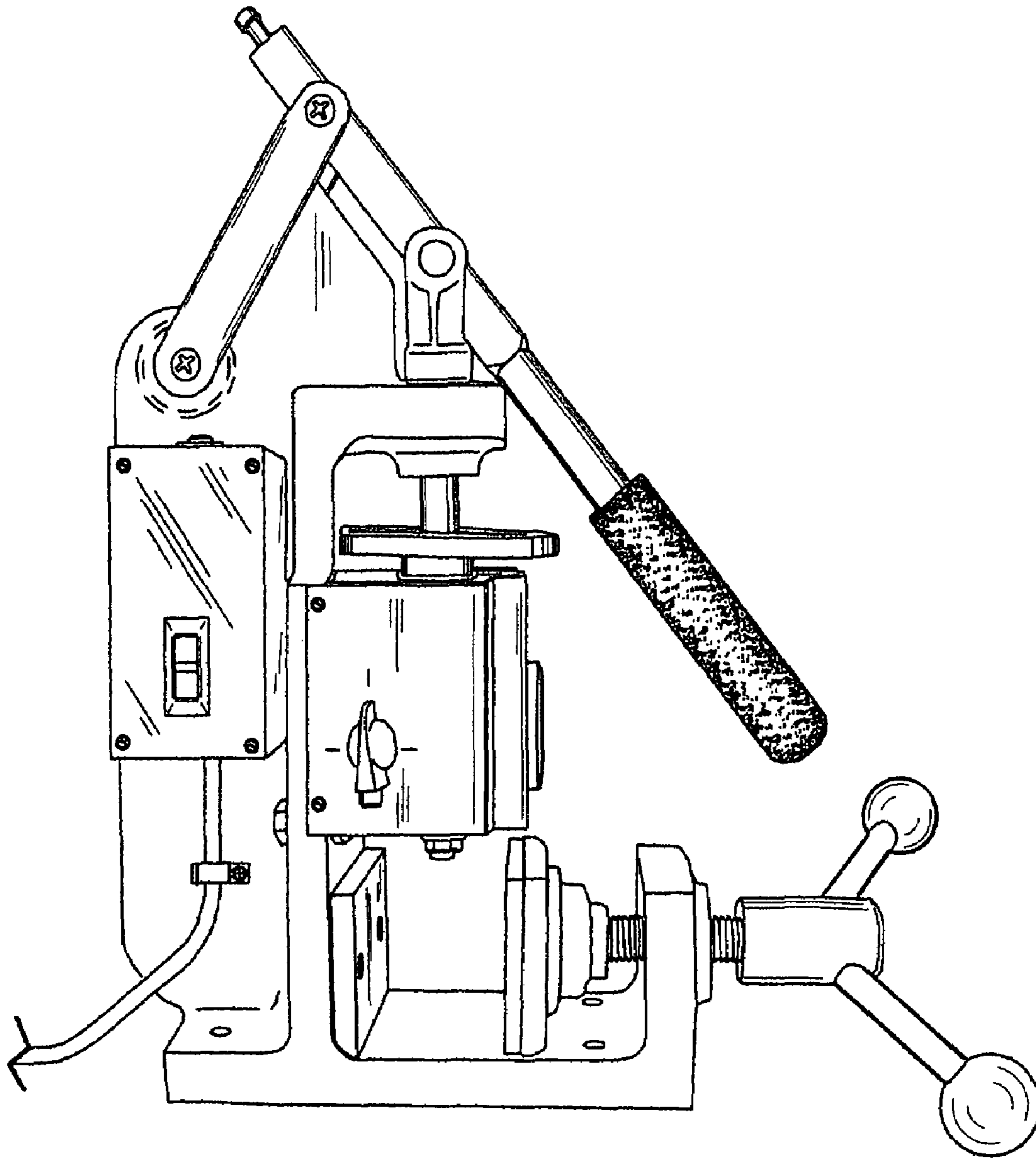


FIG. 2

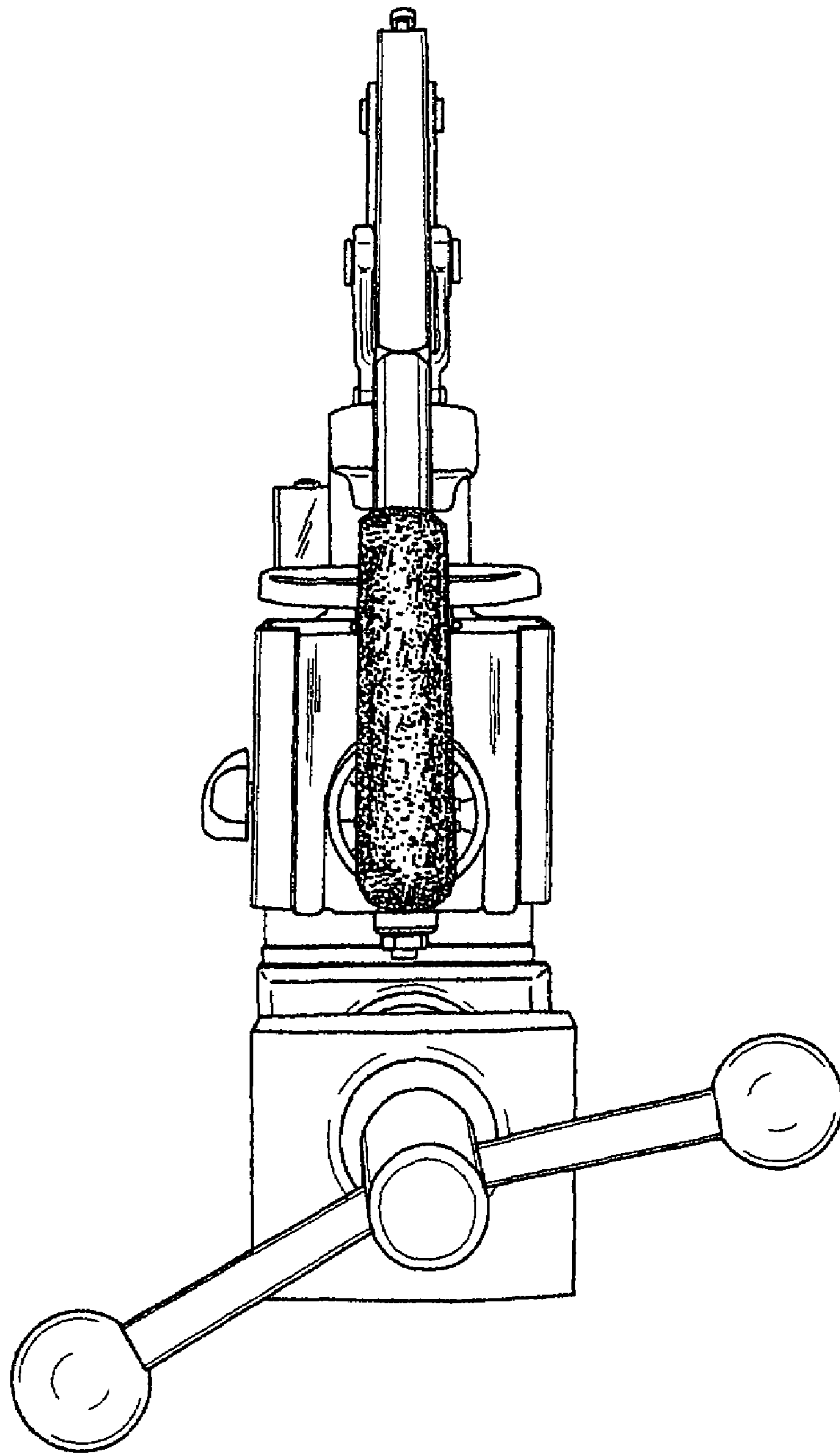


FIG. 3

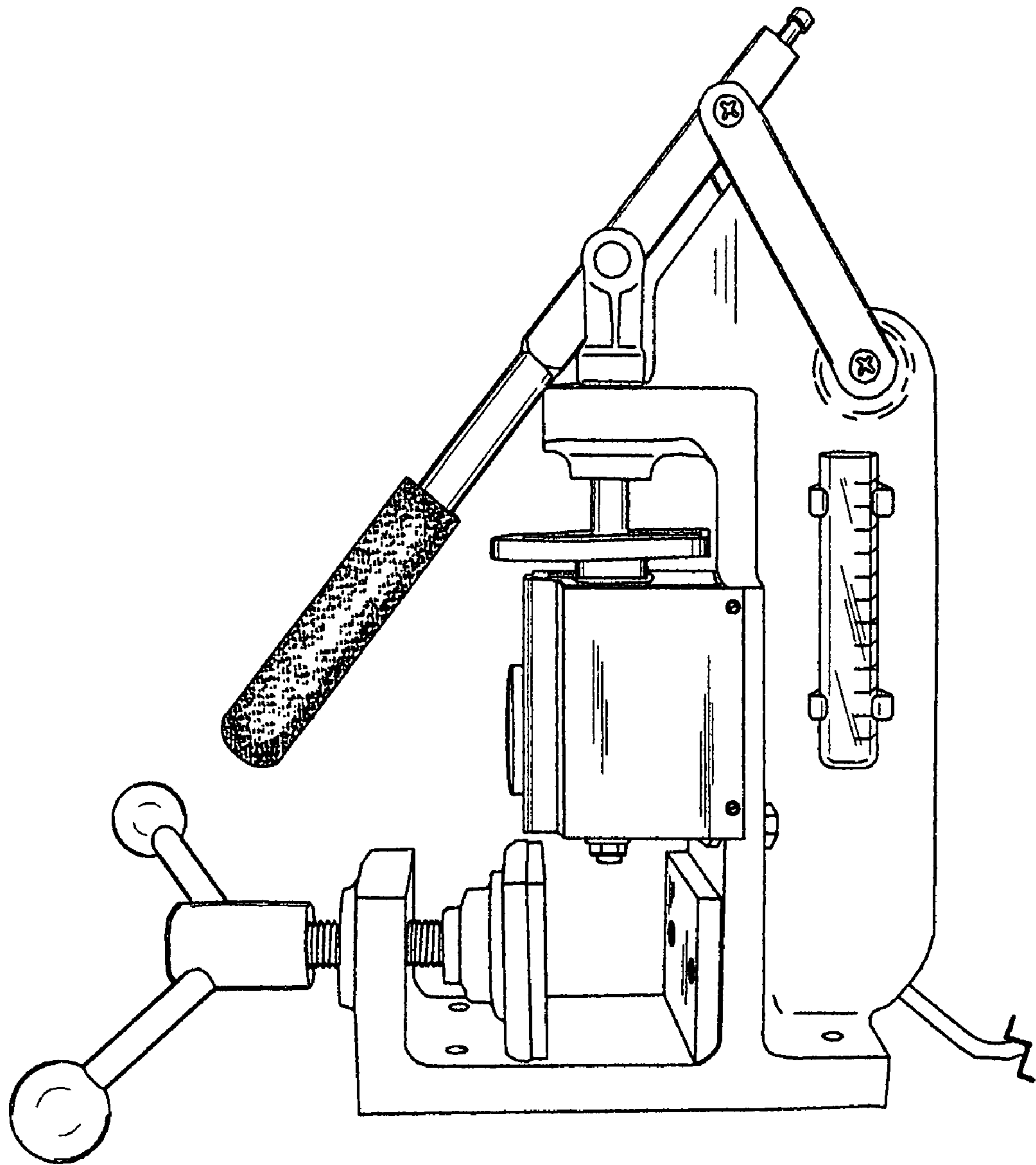


FIG. 4

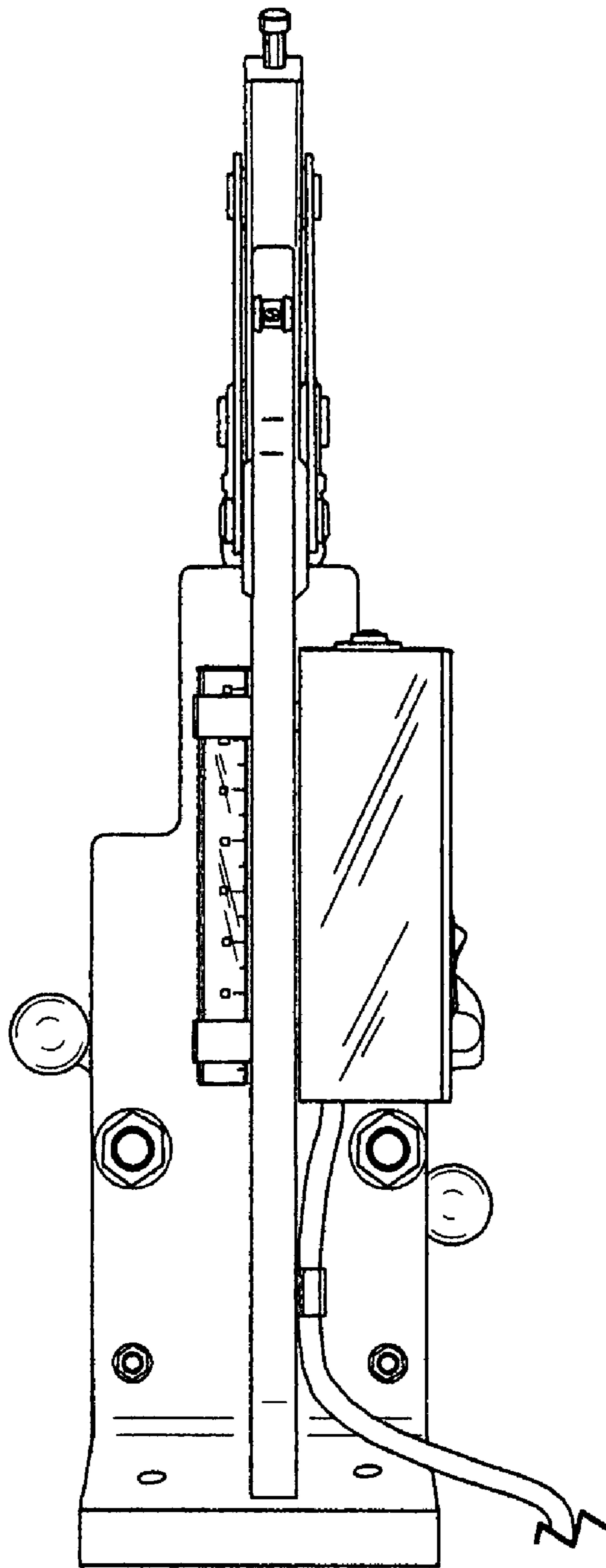


FIG. 5

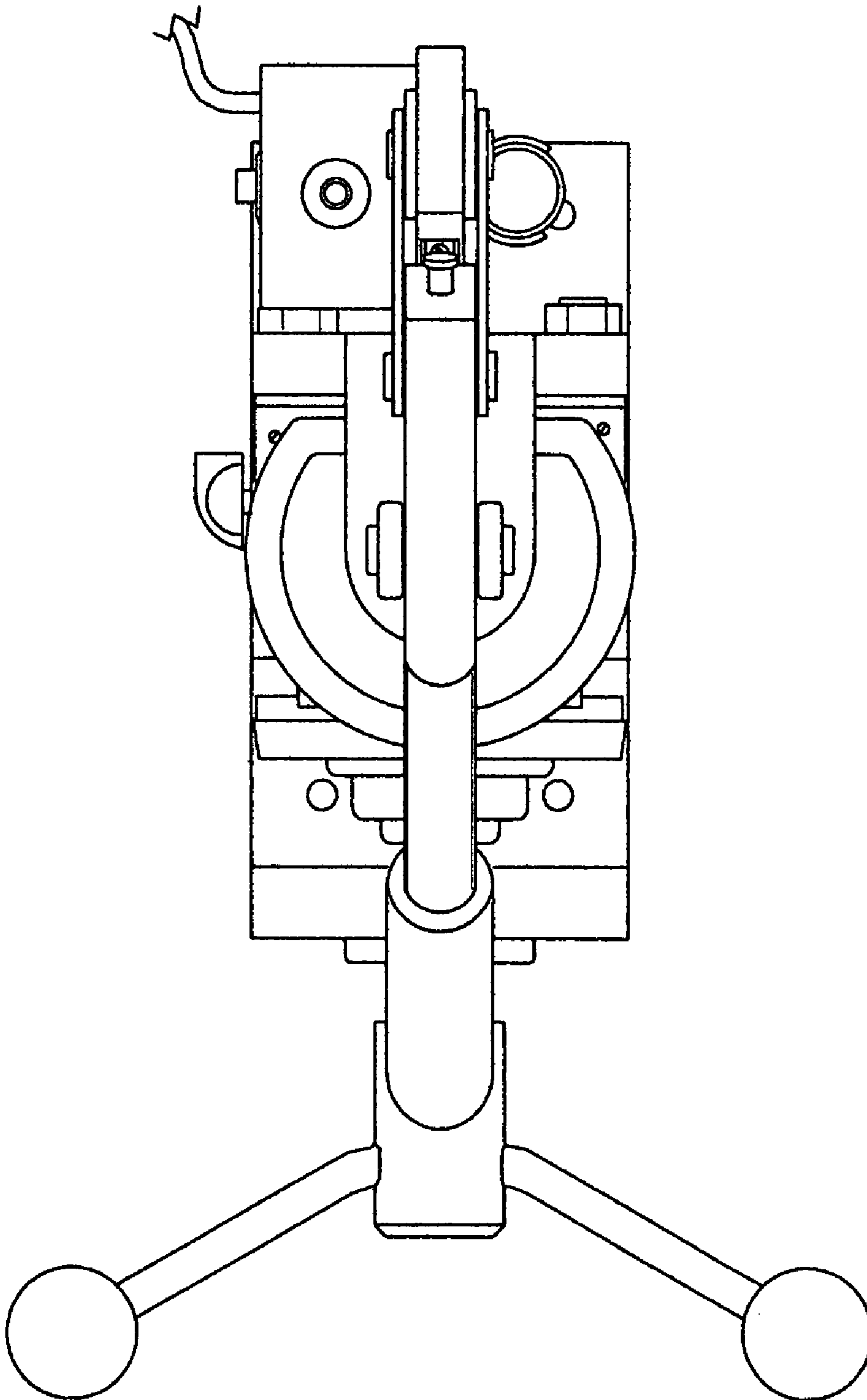


FIG. 6

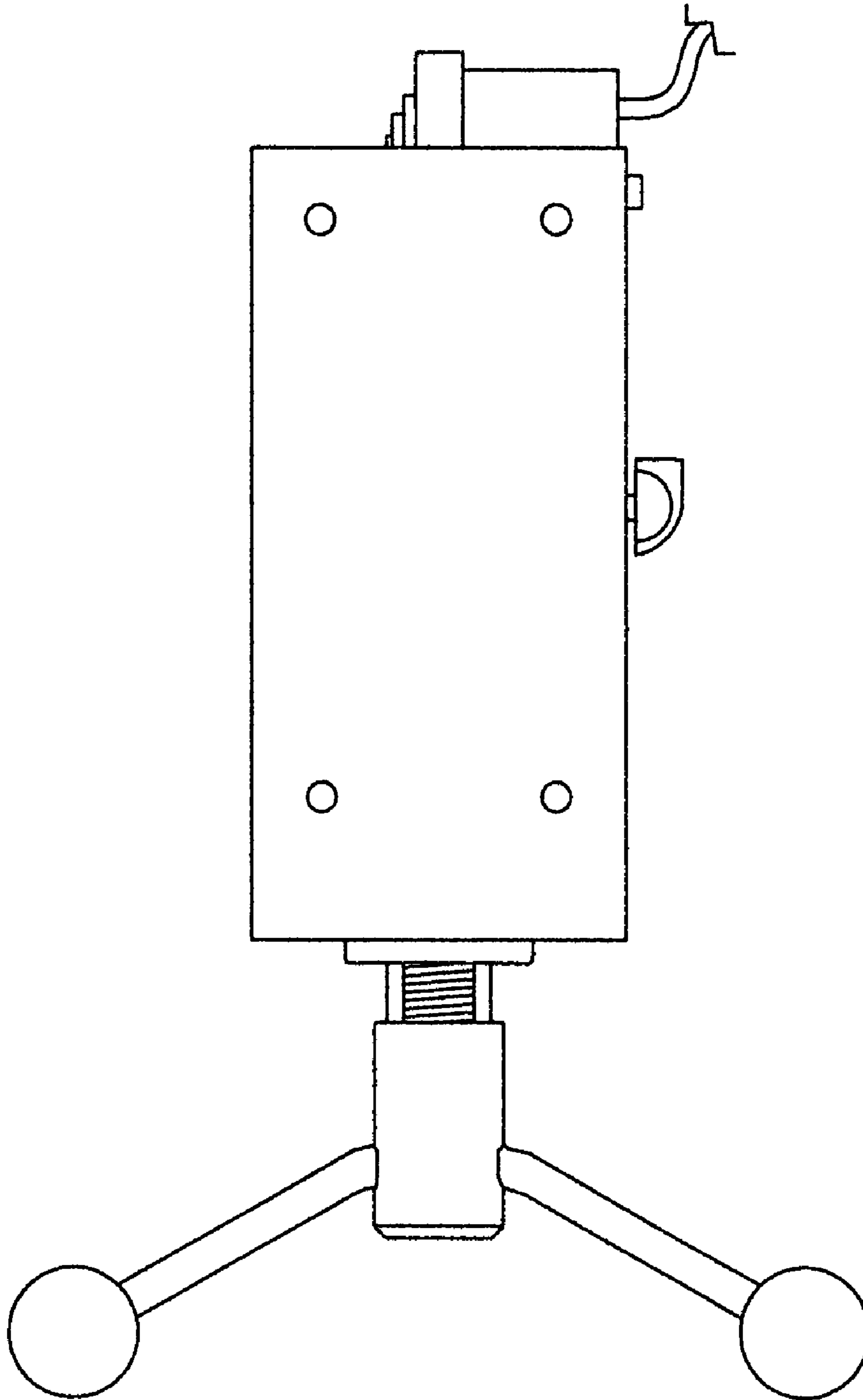


FIG. 7