



US00D559284S

(12) **United States Design Patent**
Albinsson et al.

(10) **Patent No.:** **US D559,284 S**
(45) **Date of Patent:** **** Jan. 8, 2008**

(54) **DRILLING TOOL FOR USE WITH STAND**

(75) Inventors: **Mari Albinsson**, Gothenburg (SE);
Andreas Lundquist, Bromma (SE);
Ove Donnerdal, Savedalen (SE)

(73) Assignee: **Husqvarna AB**, Huskvarna (SE)

(**) Term: **14 Years**

(21) Appl. No.: **29/277,548**

(22) Filed: **Mar. 1, 2007**

(30) **Foreign Application Priority Data**

Sep. 1, 2006 (EM) 000583109-0002

(51) **LOC (8) Cl.** **15-09**

(52) **U.S. Cl.** **D15/132**

(58) **Field of Classification Search** D8/69;
D15/132; 408/9, 17, 87, 90, 132, 135, 234,
408/236

See application file for complete search history.

(56) **References Cited**

U.S. PATENT DOCUMENTS

3,767,313 A * 10/1973 Bohoroquez et al. 408/14
5,149,230 A * 9/1992 Nett 408/42
D348,074 S * 6/1994 Asano D15/132
5,888,031 A * 3/1999 Buck et al. 408/56
D459,372 S * 6/2002 Asano D15/132
D470,867 S * 2/2003 Welsh D15/132
D480,937 S * 10/2003 Vogeles et al. D8/69

D515,383 S * 2/2006 Aglassinger D8/69
2002/0054796 A1 * 5/2002 Plank 408/9
2006/0013663 A1 * 1/2006 Wiehler et al. 408/136

* cited by examiner

Primary Examiner—Antoine D. Davis

Assistant Examiner—Patricia Palasik

(74) *Attorney, Agent, or Firm*—Pearne & Gordon LLP

(57) **CLAIM**

The ornamental design for a drilling tool for use with stand,
as shown and described.

DESCRIPTION

FIG. 1 is a first side elevation view of our new design of a
drilling tool for use with stand;

FIG. 2 is a second side elevation view of the drilling tool for
use with stand;

FIG. 3 is a bottom view of the drilling tool for use with
stand;

FIG. 4 is a top view of the drilling tool for use with stand;

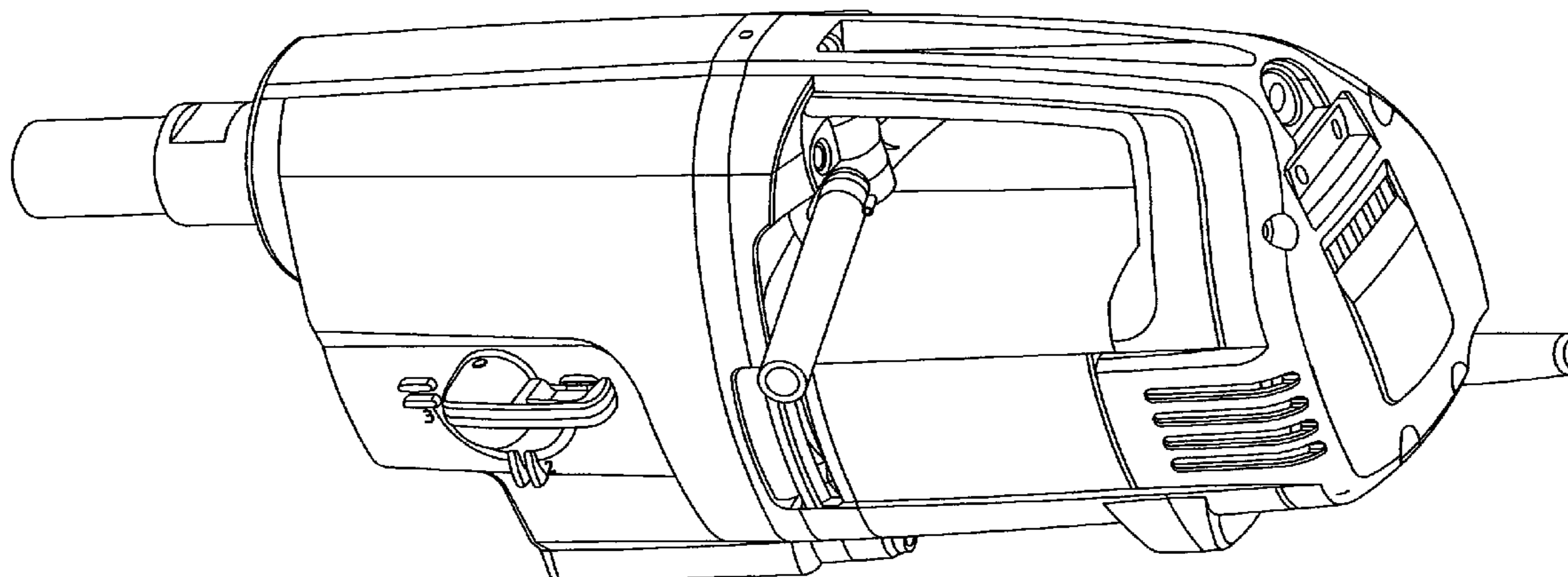
FIG. 5 is a front view of the drilling tool for use with stand;

FIG. 6 is a rear view of the drilling tool for use with stand;
and,

FIG. 7 is a perspective view of the drilling tool for use with
stand.

The portions shown in phantom lines are not part of the
design and many vary.

1 Claim, 7 Drawing Sheets



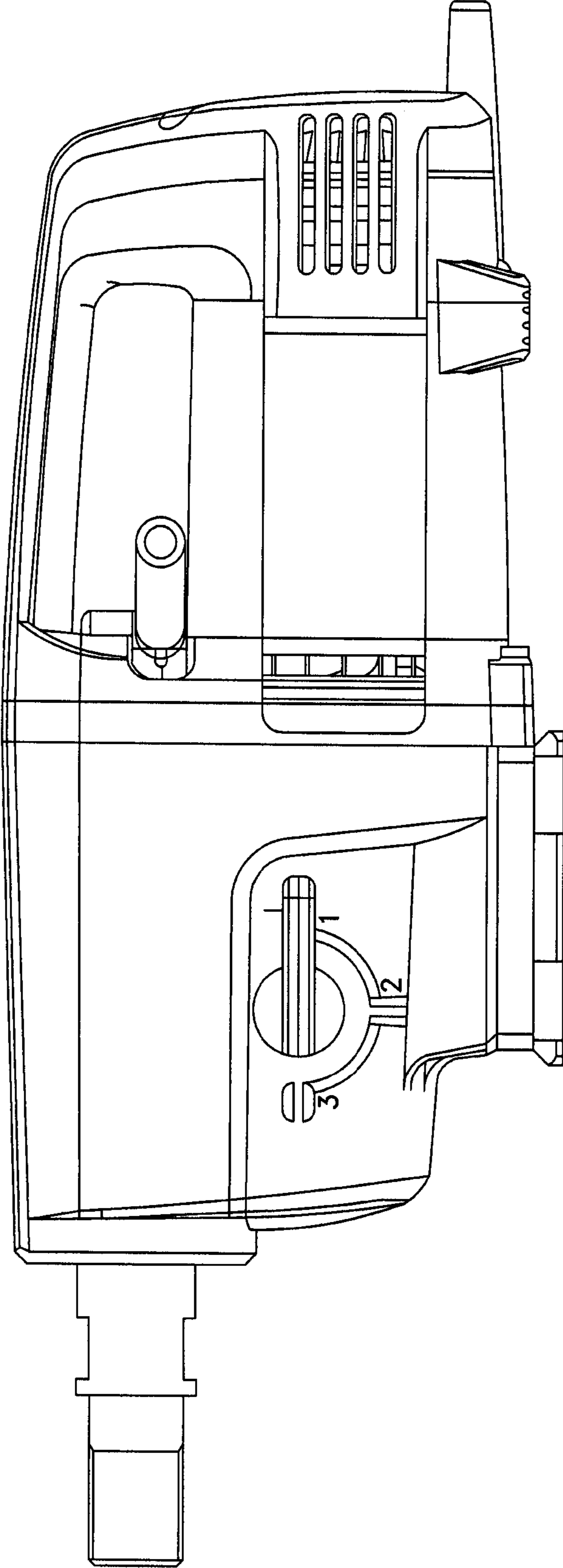


Fig.1

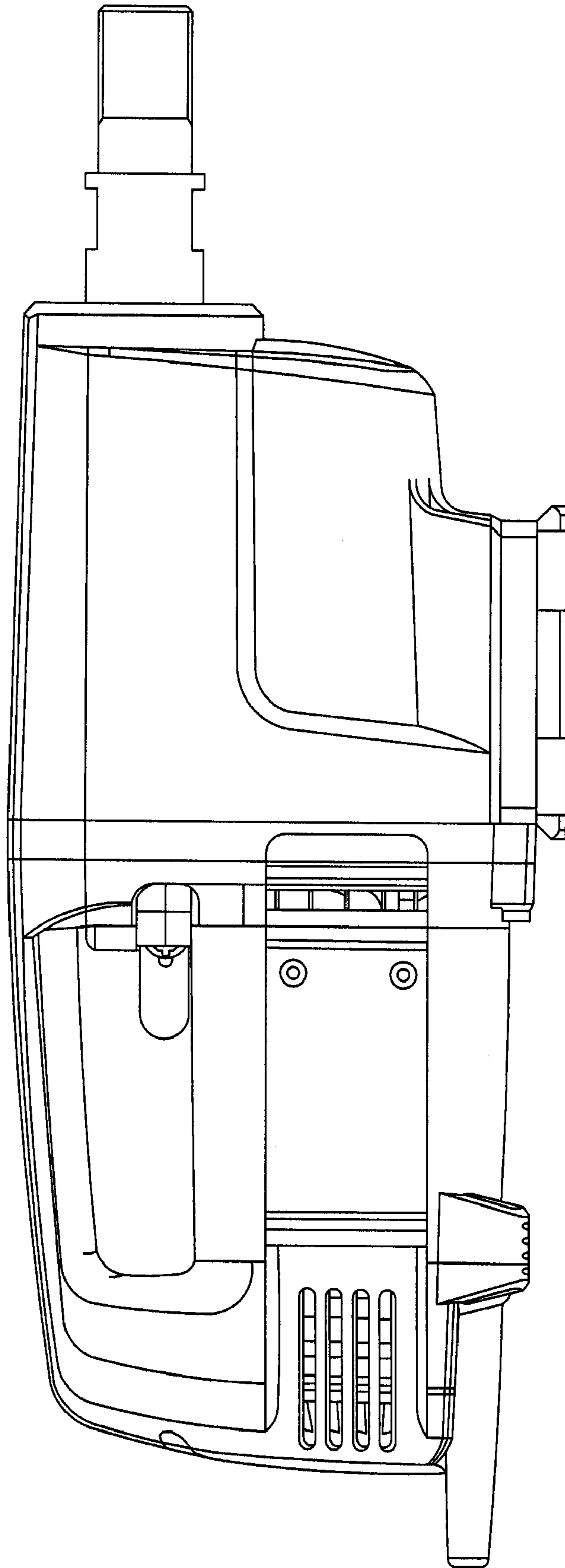


Fig.2

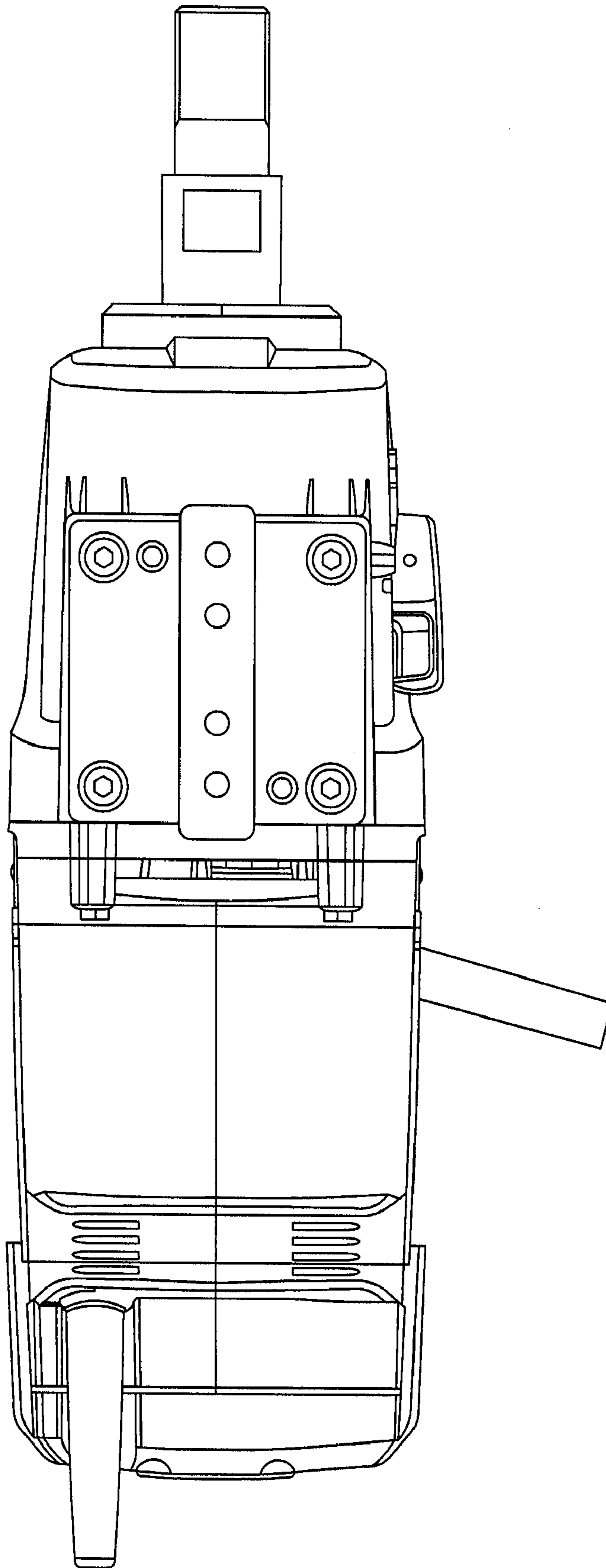


Fig. 3

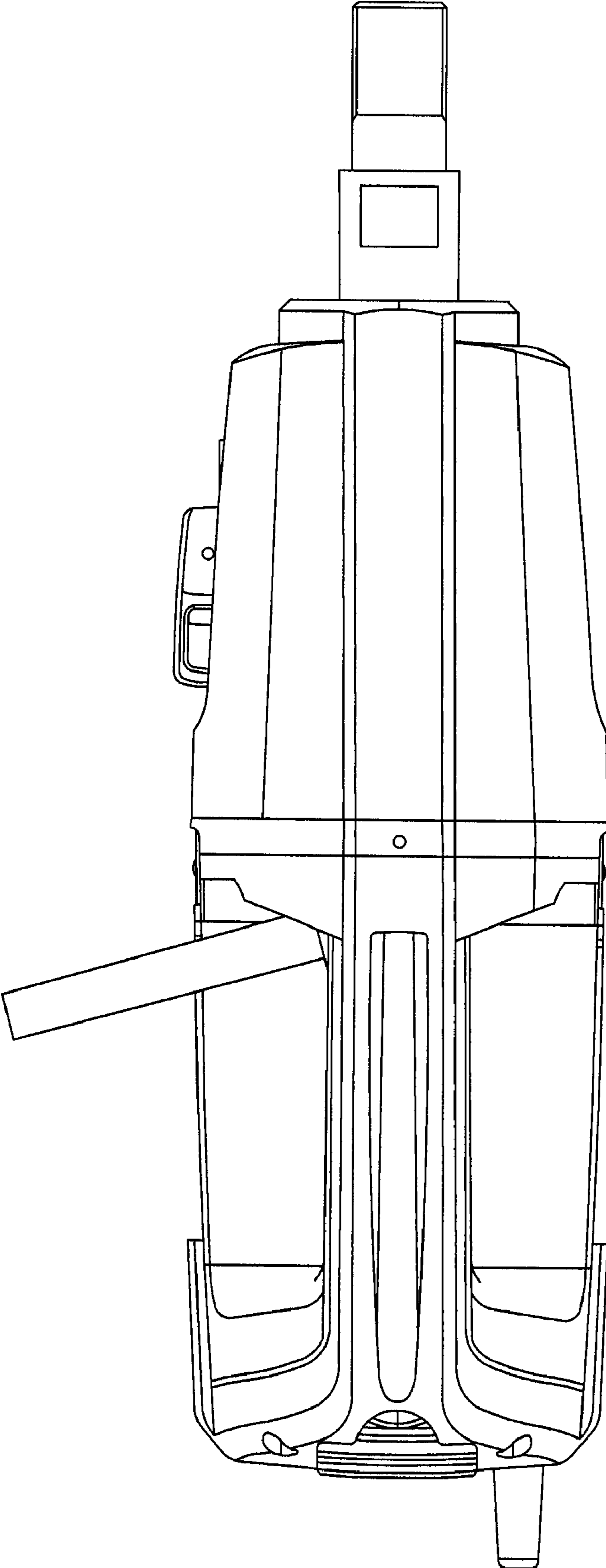


Fig.4

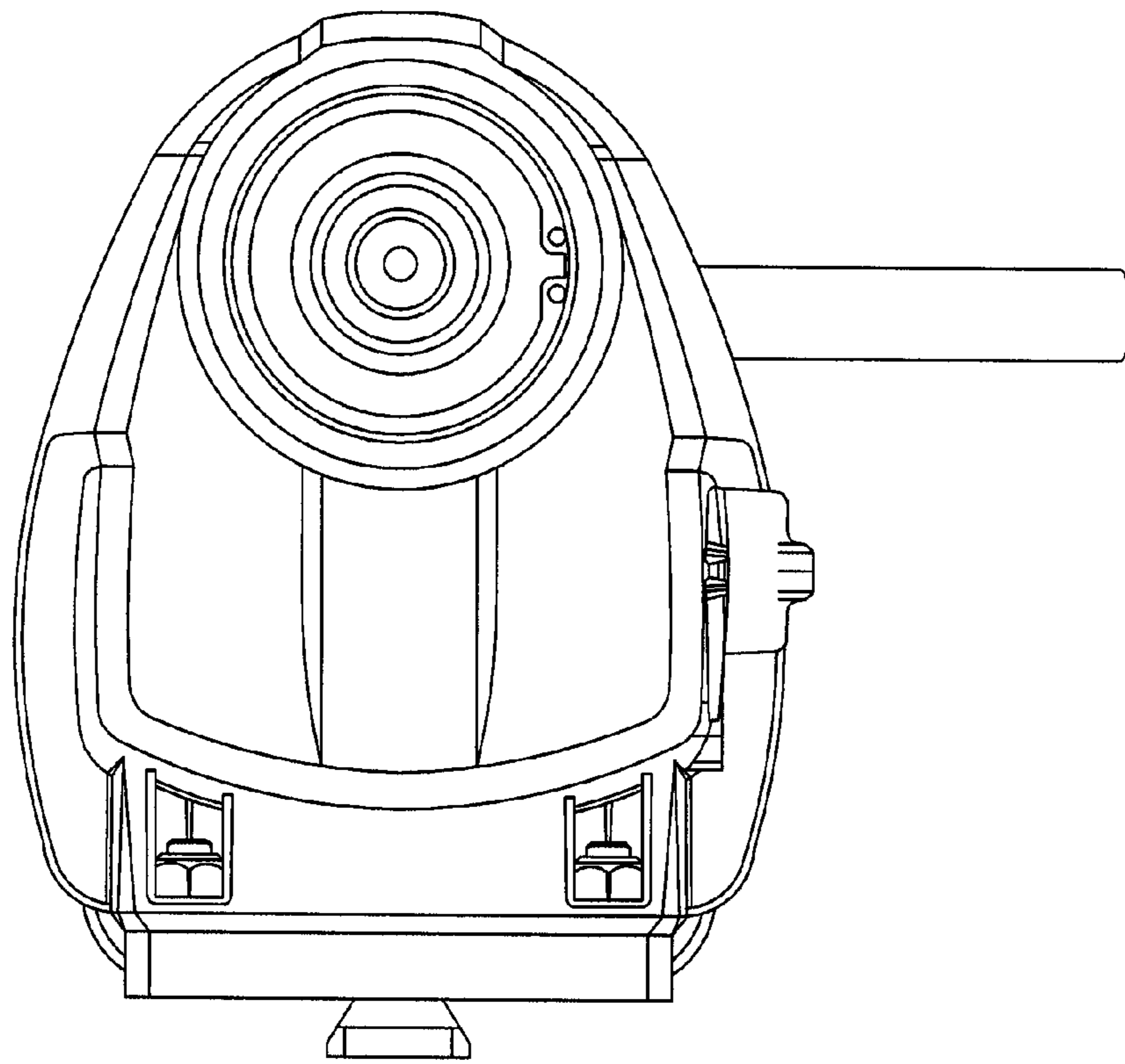


Fig.5

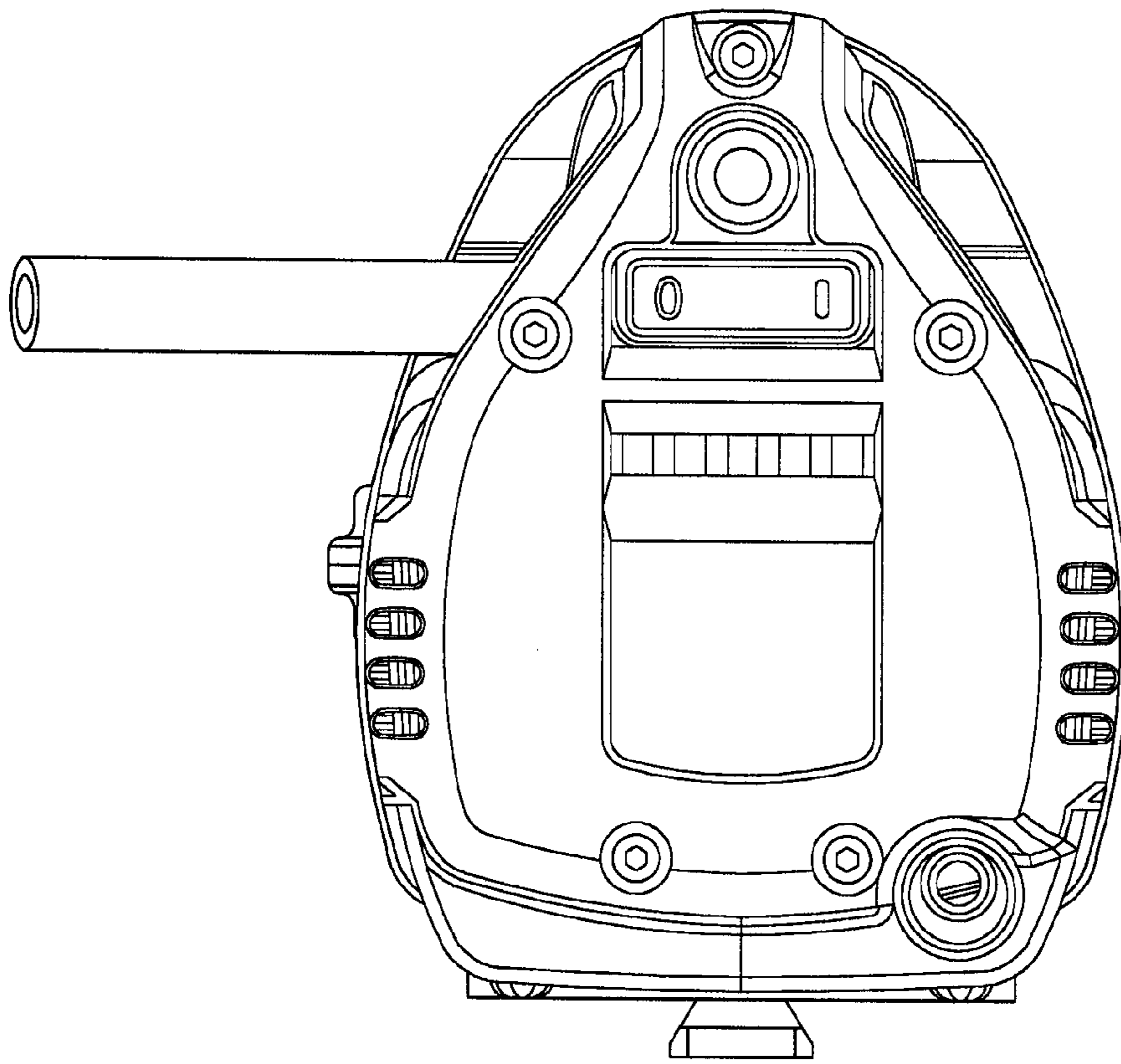


Fig.6

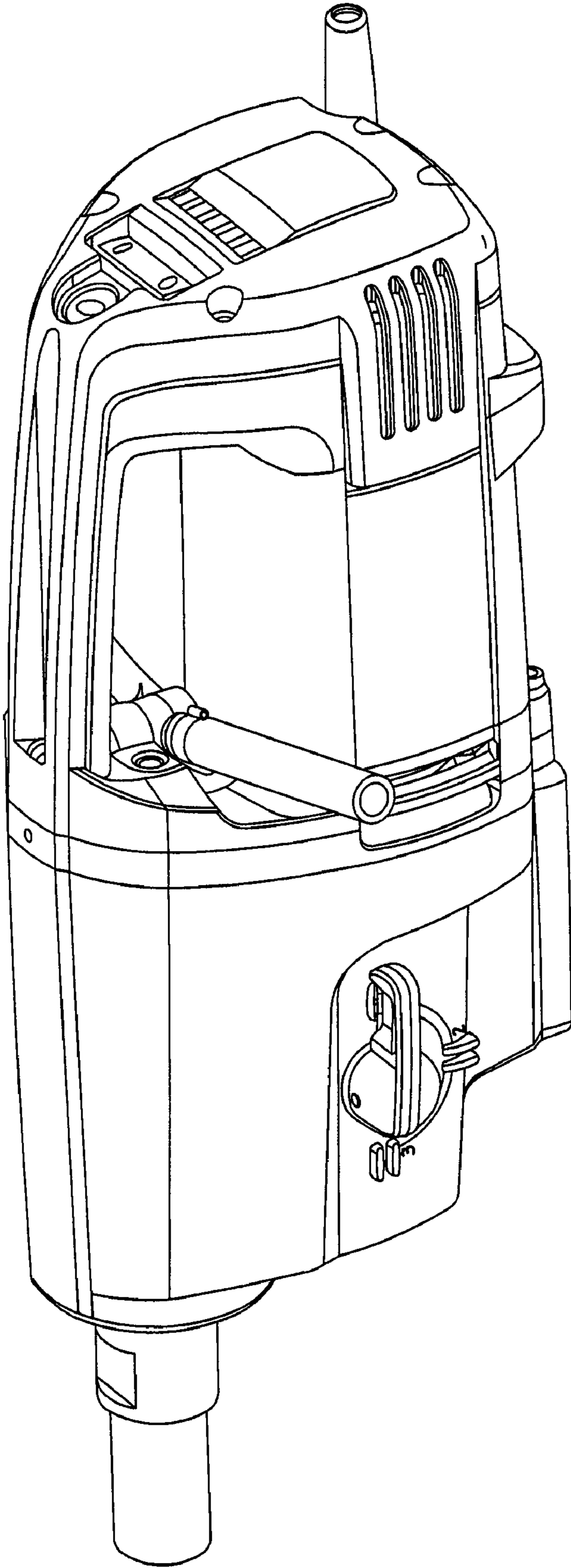


Fig.7