



US00D559276S

(12) **United States Design Patent**
Chahley et al.

(10) **Patent No.:** **US D559,276 S**
(45) **Date of Patent:** **** Jan. 8, 2008**

- (54) **SPRAYER PLUMBING LAYOUT**
- (75) Inventors: **Dennis W Chahley**, Martensville (CA);
Dennis G Thompson, Saskatoon (CA)
- (73) Assignee: **CNH Canada, Ltd.** (CA)
- (**) Term: **14 Years**
- (21) Appl. No.: **29/277,639**
- (22) Filed: **Mar. 5, 2007**
- (51) **LOC (8) Cl.** **15-03**
- (52) **U.S. Cl.** **D15/13**
- (58) **Field of Classification Search** D15/10,
D15/13, 27, 28, 33; 172/311, 439, 444; 239/159-169,
239/172, 722
See application file for complete search history.

6,367,712	B1 *	4/2002	Larsen	239/159
6,402,051	B1 *	6/2002	Humpal	239/166
6,491,234	B2 *	12/2002	Beggs	239/166
6,719,213	B1 *	4/2004	Ferguson	239/166
6,837,446	B1 *	1/2005	Jesse	239/161
6,966,501	B2 *	11/2005	Wubben et al.	239/168
7,150,419	B1 *	12/2006	Tomlonovic et al.	239/722
7,152,811	B2 *	12/2006	Gunlogson et al.	239/159
2002/0020760	A1 *	2/2002	Beggs	239/166
2002/0113137	A1 *	8/2002	Guesdon	239/1
2003/0052188	A1 *	3/2003	Maliteare	239/159
2004/0238659	A1 *	12/2004	Wubben et al.	239/166
2006/0011741	A1 *	1/2006	Hahn et al.	239/172
2006/0201075	A1 *	9/2006	Rivas et al.	52/111
2006/0255175	A1 *	11/2006	Thompson et al.	239/168

* cited by examiner

Primary Examiner—Stella M. Reid
Assistant Examiner—Mark Goodwin
(74) *Attorney, Agent, or Firm*—Rebecca Henkel

(56) **References Cited**

U.S. PATENT DOCUMENTS

3,447,750	A *	6/1969	Weston	239/167
3,887,132	A *	6/1975	Widmer	239/166
4,252,274	A *	2/1981	Kubacak	239/163
4,372,492	A *	2/1983	Blumenshine	239/168
D289,876	S *	5/1987	McDonnell	D15/27
4,711,398	A *	12/1987	Ganderton et al.	239/167
D314,578	S *	2/1991	Morrison	D15/13
5,039,129	A *	8/1991	Balmer	180/308
5,242,120	A *	9/1993	Barber et al.	239/656
5,375,767	A *	12/1994	Thorstensson	239/164
D355,919	S *	2/1995	Larson et al.	D15/13
5,402,945	A *	4/1995	Swanson, Jr.	239/706
5,673,854	A *	10/1997	Kinder	239/164
D410,656	S *	6/1999	Thyberg et al.	D15/13
5,927,606	A *	7/1999	Patterson	239/167
5,992,759	A *	11/1999	Patterson	239/167
6,047,901	A *	4/2000	Pederson et al.	239/159
6,085,993	A *	7/2000	Beggs	239/166
6,119,963	A *	9/2000	Bastin et al.	239/168
6,131,821	A *	10/2000	Nejsun	239/168
6,293,475	B1 *	9/2001	Sobolik	239/168
6,343,661	B1 *	2/2002	Thompson et al.	172/444

(57) **CLAIM**

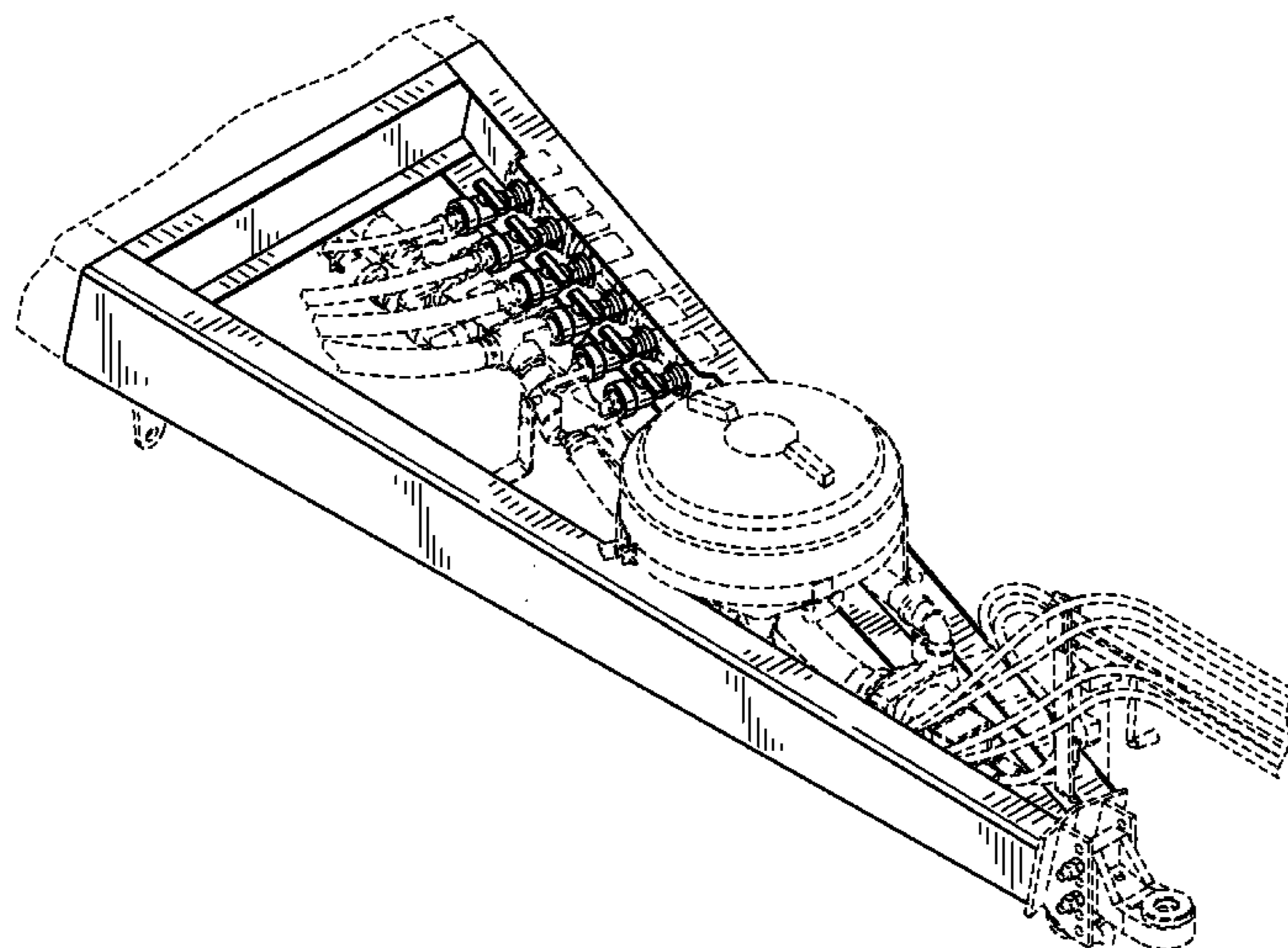
We claim the ornamental design for the sprayer plumbing layout, as shown and described.

DESCRIPTION

FIG. 1 is a top right perspective view of the sprayer plumbing layout showing our new design;
FIG. 2 is a top plan view thereof;
FIG. 3 is a bottom plan view thereof;
FIG. 4 is a right side view thereof;
FIG. 5 is a left side view thereof;
FIG. 6 is a front view thereof; and,
FIG. 7 is a rear view thereof.

The broken line showing in FIGS. 1-7 is included for the purpose of illustrating portions of the sprayer plumbing layout and forms no part of the claimed design.

1 Claim, 6 Drawing Sheets



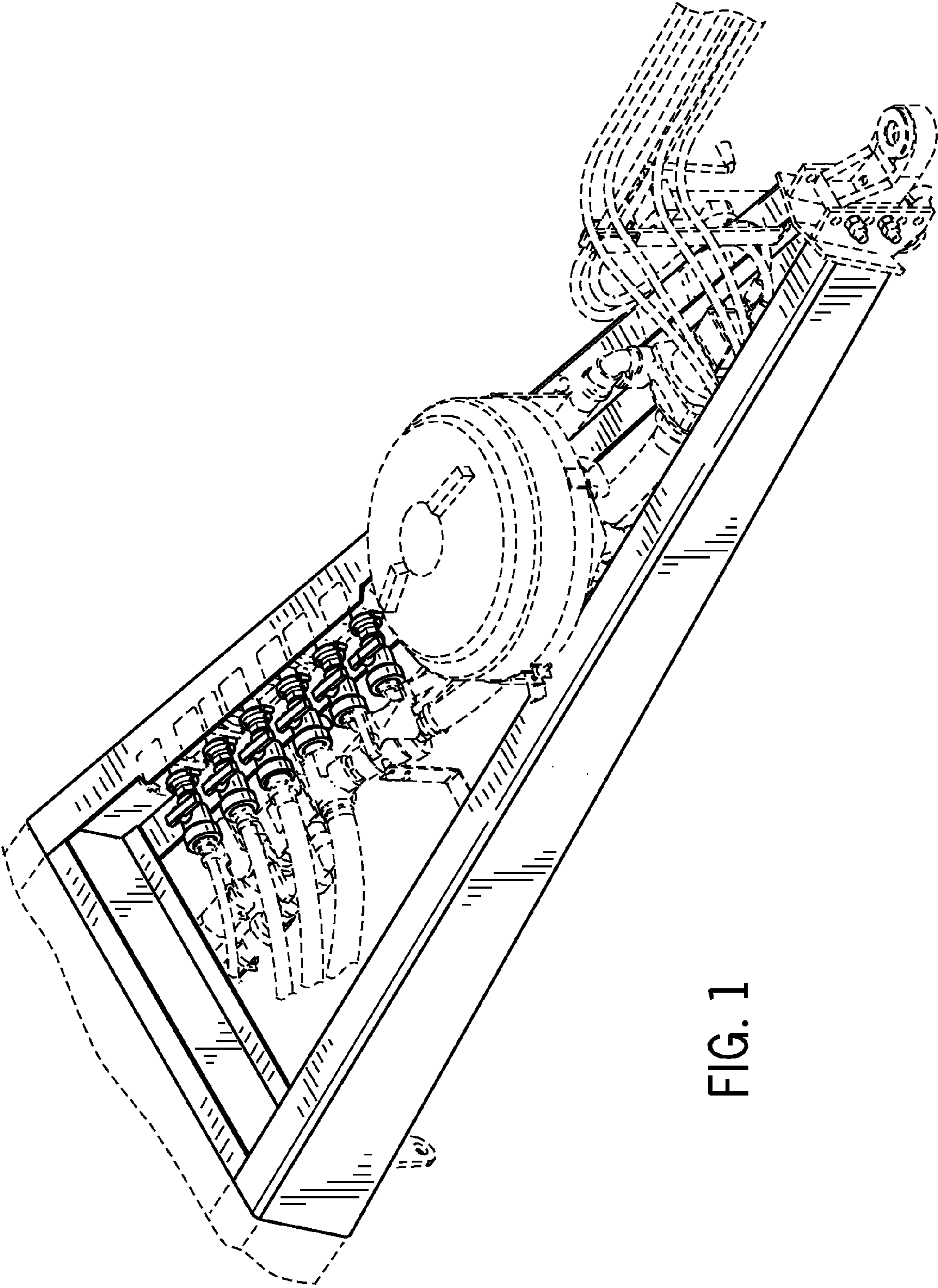


FIG. 1

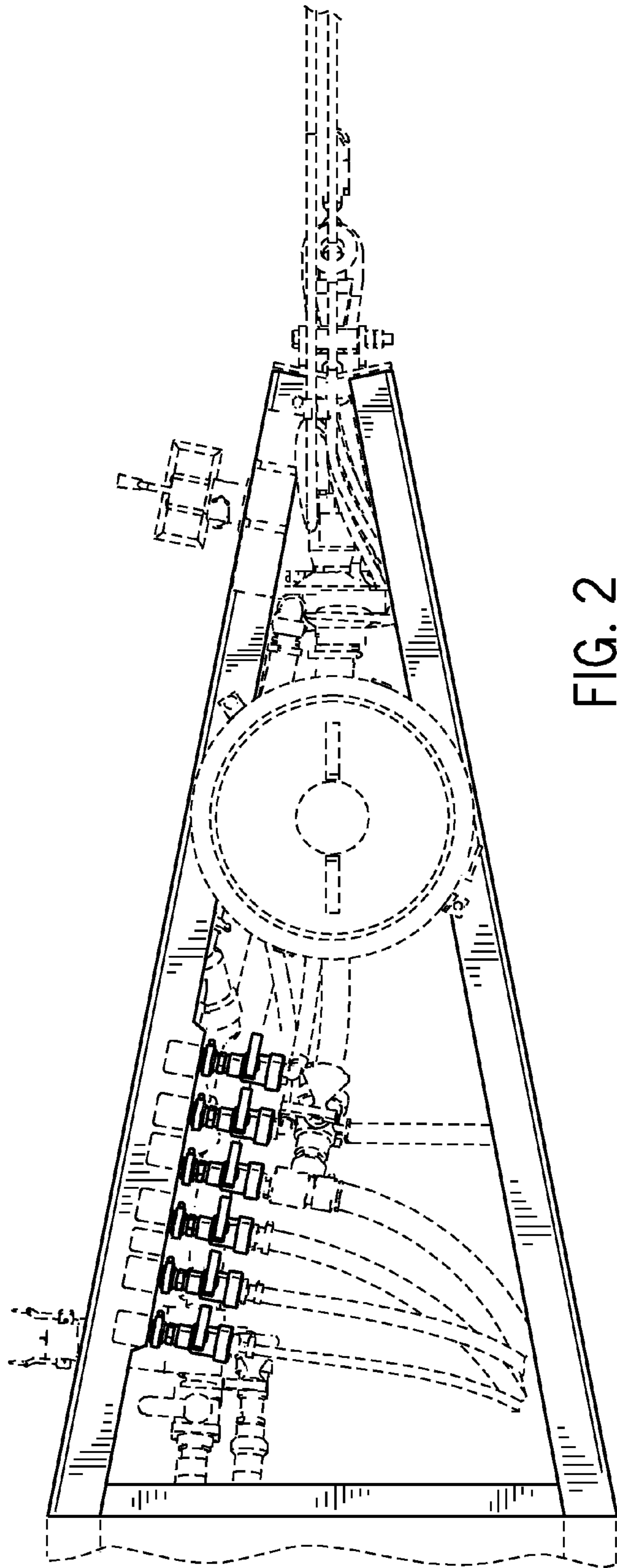


FIG. 2

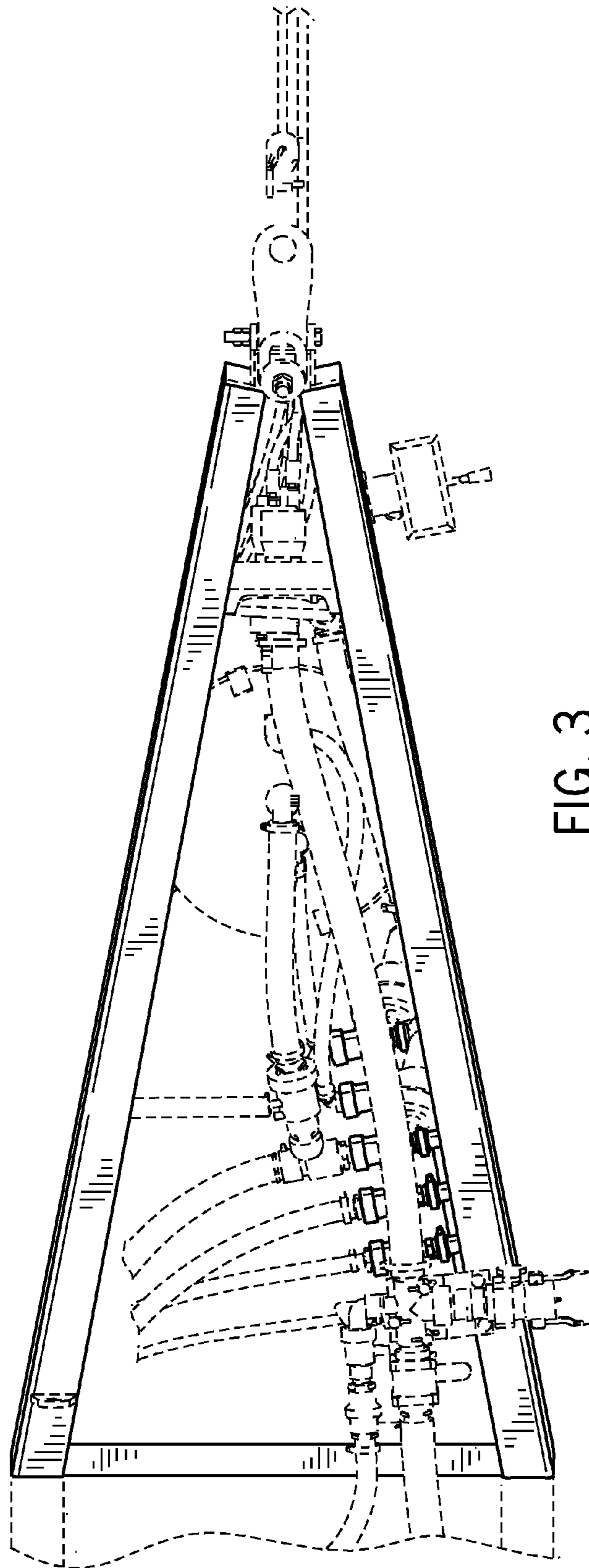


FIG. 3

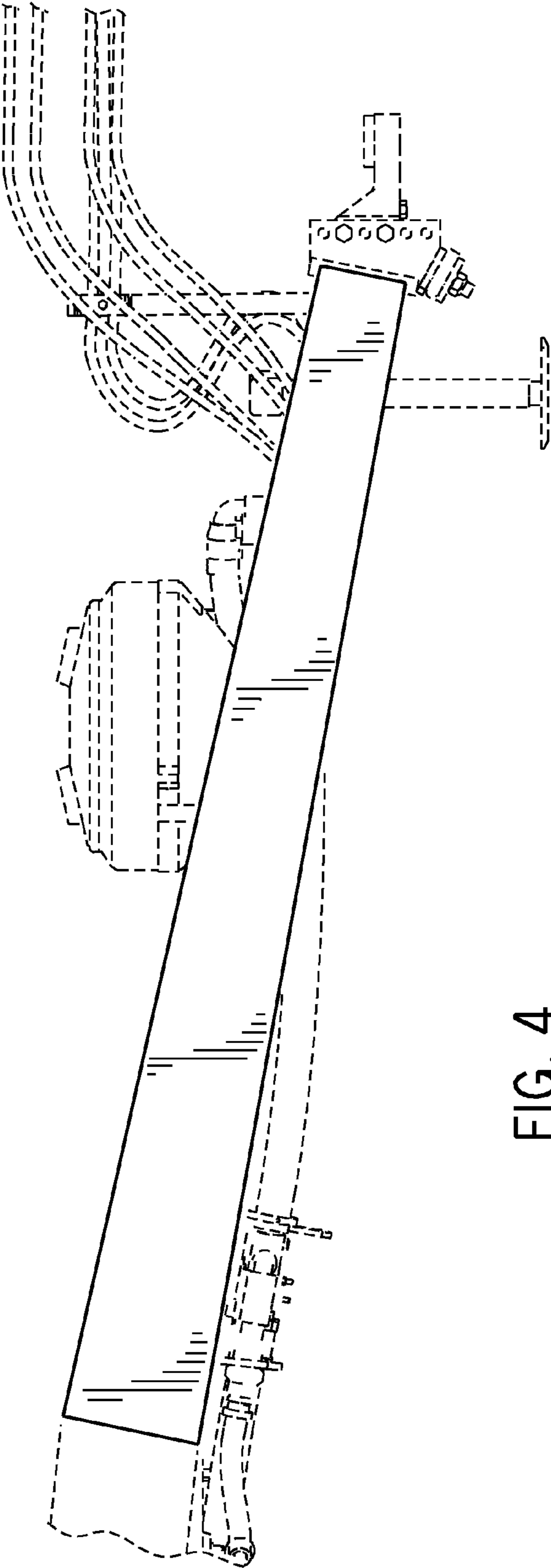


FIG. 4

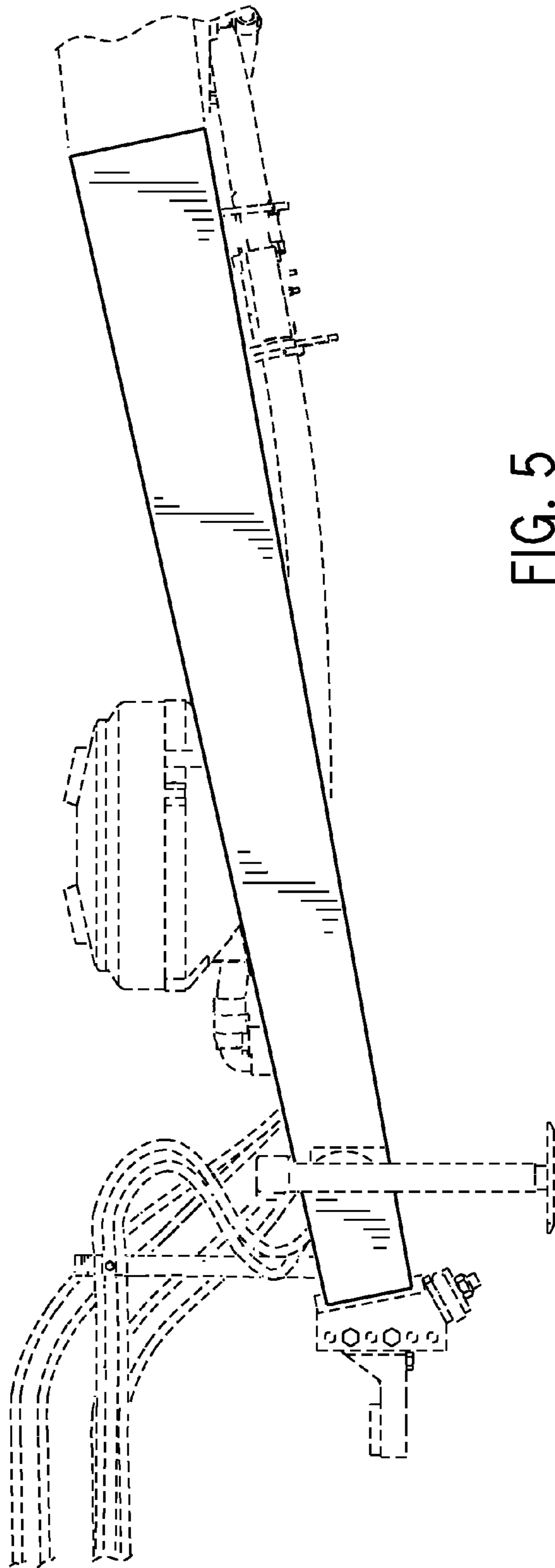


FIG. 5

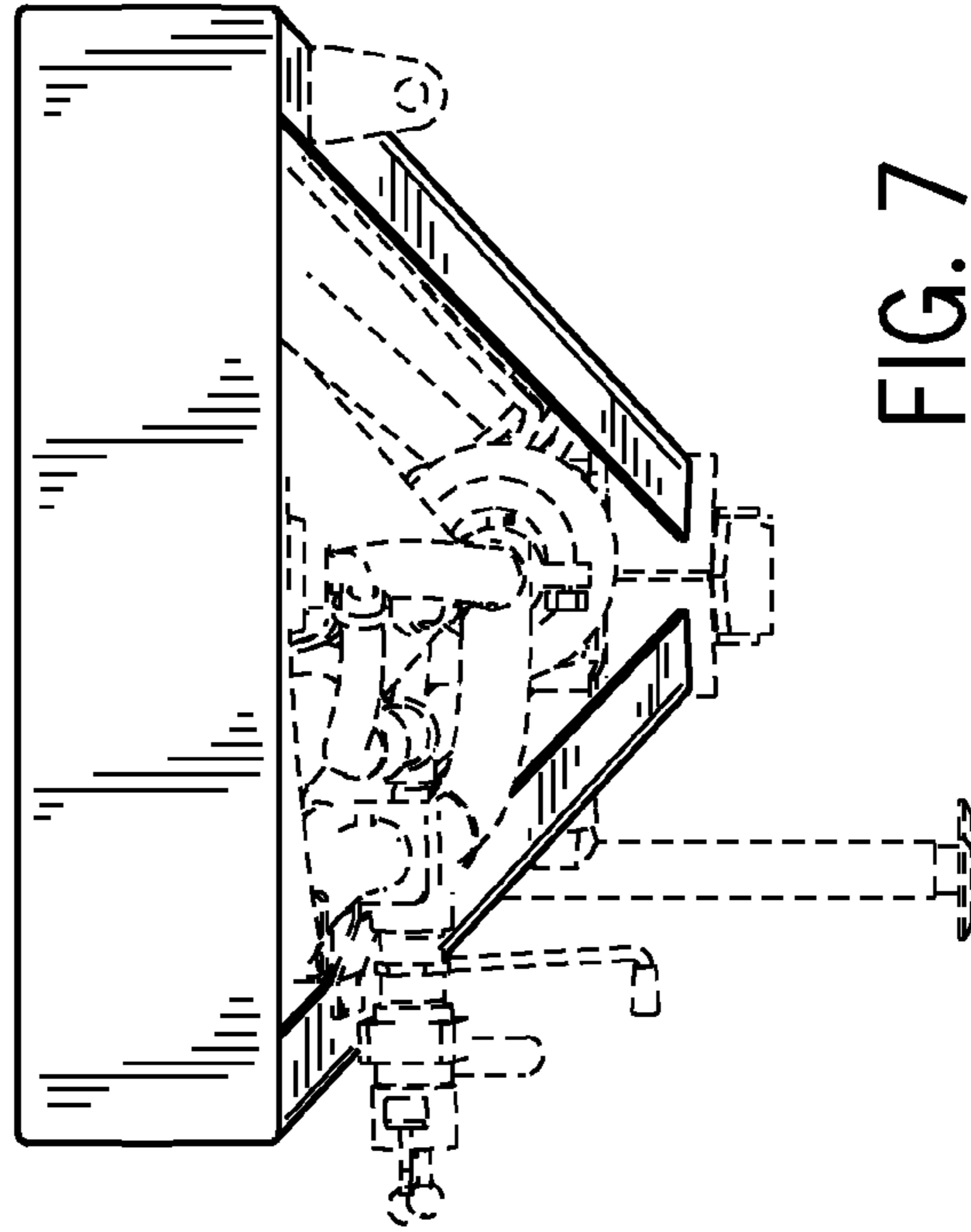


FIG. 7

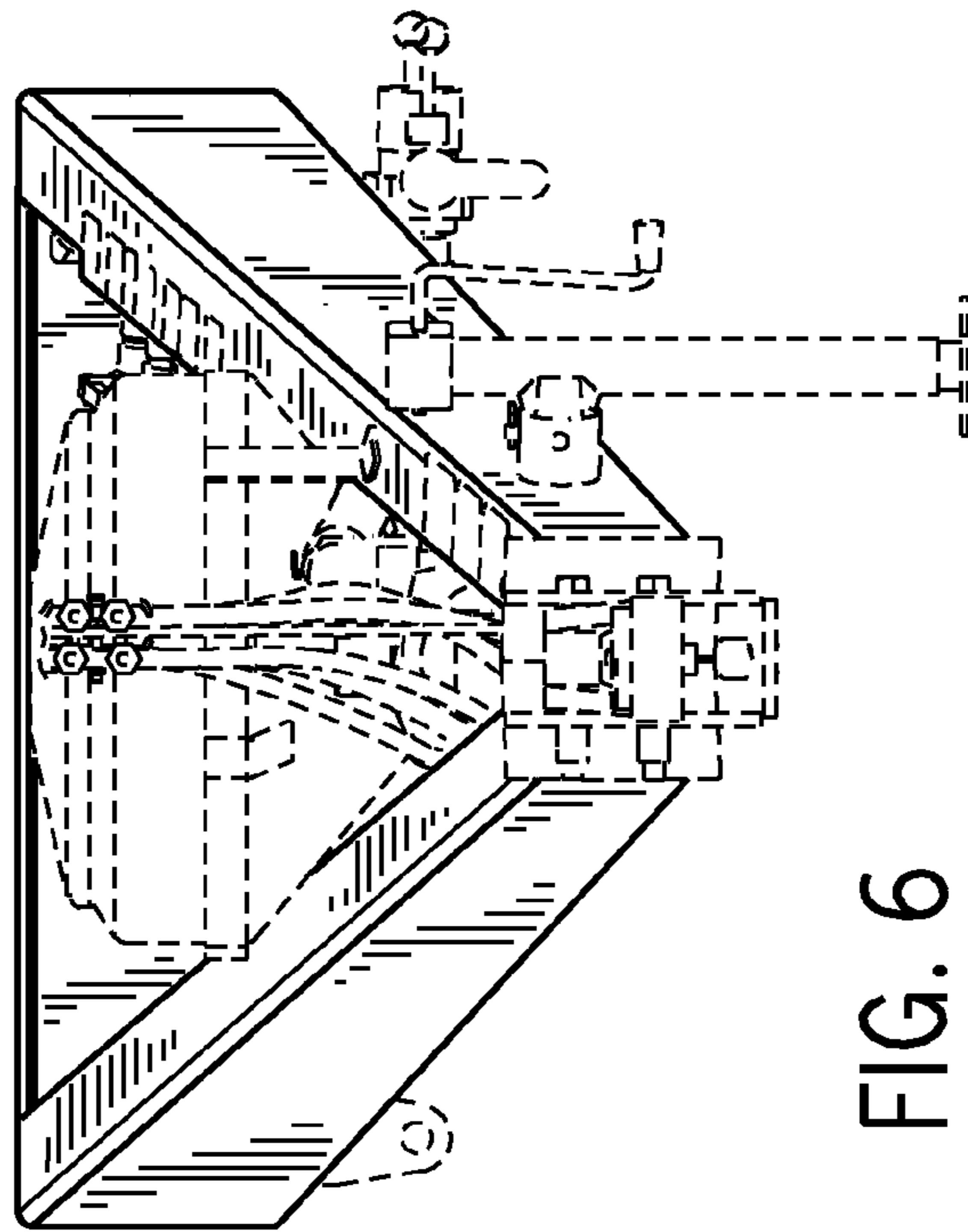


FIG. 6