



US00D559275S

(12) **United States Design Patent**
Chahley et al.

(10) **Patent No.:** **US D559,275 S**
(45) **Date of Patent:** **** Jan. 8, 2008**

- (54) **SPRAYER CENTER FRAME**
- (75) Inventors: **Dennis W Chahley**, Martensville (CA);
Dennis G Thompson, Saskatoon (CA)
- (73) Assignee: **CNH Canada, Ltd.** (CA)
- (**) Term: **14 Years**
- (21) Appl. No.: **29/277,325**
- (22) Filed: **Feb. 21, 2007**
- (51) **LOC (8) Cl.** **15-03**
- (52) **U.S. Cl.** **D15/13**
- (58) **Field of Classification Search** D15/10,
D15/13, 27, 28, 33; 172/311, 439, 444; 239/159–169,
239/172, 722
See application file for complete search history.

6,367,712	B1 *	4/2002	Larsen	239/159
6,402,051	B1 *	6/2002	Humpal	239/166
6,491,234	B2 *	12/2002	Beggs	239/166
6,719,213	B1 *	4/2004	Ferguson	239/166
6,837,446	B1 *	1/2005	Jesse	239/161
6,966,501	B2 *	11/2005	Wubben et al.	239/168
7,150,419	B1 *	12/2006	Tomlonovic et al.	239/722
7,152,811	B2 *	12/2006	Gunlogson et al.	239/159
2002/0020760	A1 *	2/2002	Beggs	239/166
2002/0113137	A1 *	8/2002	Guesdon	239/1
2003/0052188	A1 *	3/2003	Maliteare	239/159
2004/0238659	A1 *	12/2004	Wubben et al.	239/166
2006/0011741	A1 *	1/2006	Hahn et al.	239/172
2006/0201075	A1 *	9/2006	Rivas et al.	52/111
2006/0255175	A1 *	11/2006	Thompson et al.	239/168

* cited by examiner

Primary Examiner—Stella M. Reid
Assistant Examiner—Mark Goodwin
(74) *Attorney, Agent, or Firm*—Rebecca Henkel

(56) **References Cited**
U.S. PATENT DOCUMENTS

3,447,750	A *	6/1969	Weston	239/167
3,887,132	A *	6/1975	Widmer	239/166
4,252,274	A *	2/1981	Kubacak	239/163
4,372,492	A *	2/1983	Blumenshine	239/168
D289,876	S *	5/1987	McDonnell	D15/27
4,711,398	A *	12/1987	Ganderton et al.	239/167
D314,578	S *	2/1991	Morrison	D15/13
5,039,129	A *	8/1991	Balmer	180/308
5,242,120	A *	9/1993	Barber et al.	239/656
5,375,767	A *	12/1994	Thorstensson	239/164
D355,919	S *	2/1995	Larson et al.	D15/13
5,402,945	A *	4/1995	Swanson, Jr.	239/706
5,673,854	A *	10/1997	Kinder	239/164
D410,656	S *	6/1999	Thyberg et al.	D15/13
5,927,606	A *	7/1999	Patterson	239/167
5,992,759	A *	11/1999	Patterson	239/167
6,047,901	A *	4/2000	Pederson et al.	239/159
6,085,993	A *	7/2000	Beggs	239/166
6,119,963	A *	9/2000	Bastin et al.	239/168
6,131,821	A *	10/2000	Nejsun	239/168
6,293,475	B1 *	9/2001	Sobolik	239/168
6,343,661	B1 *	2/2002	Thompson et al.	172/444

(57) **CLAIM**

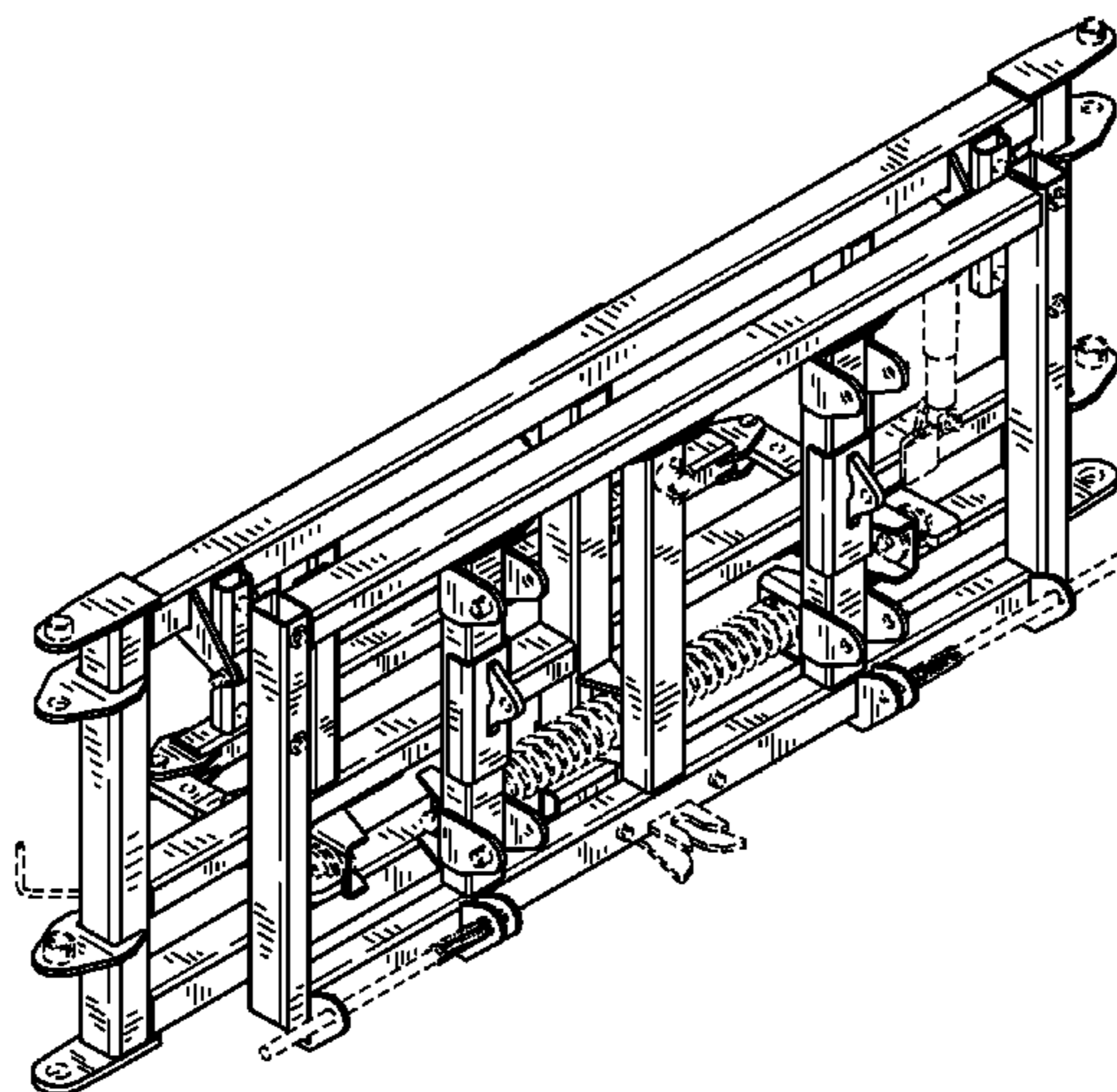
We claim the ornamental design for the sprayer center frame, as shown and described.

DESCRIPTION

FIG. 1 is a top left perspective view of the sprayer center frame showing our new design;
FIG. 2 is a front view thereof;
FIG. 3 is a rear view thereof;
FIG. 4 is a top plan view thereof;
FIG. 5 is a bottom plan view thereof;
FIG. 6 is a right side view thereof; and,
FIG. 7 is a left side view thereof.

The broken line showing in FIGS. 1–7 is included for the purpose of illustrating portions of the sprayer center frame and forms no part of the claimed design.

1 Claim, 5 Drawing Sheets



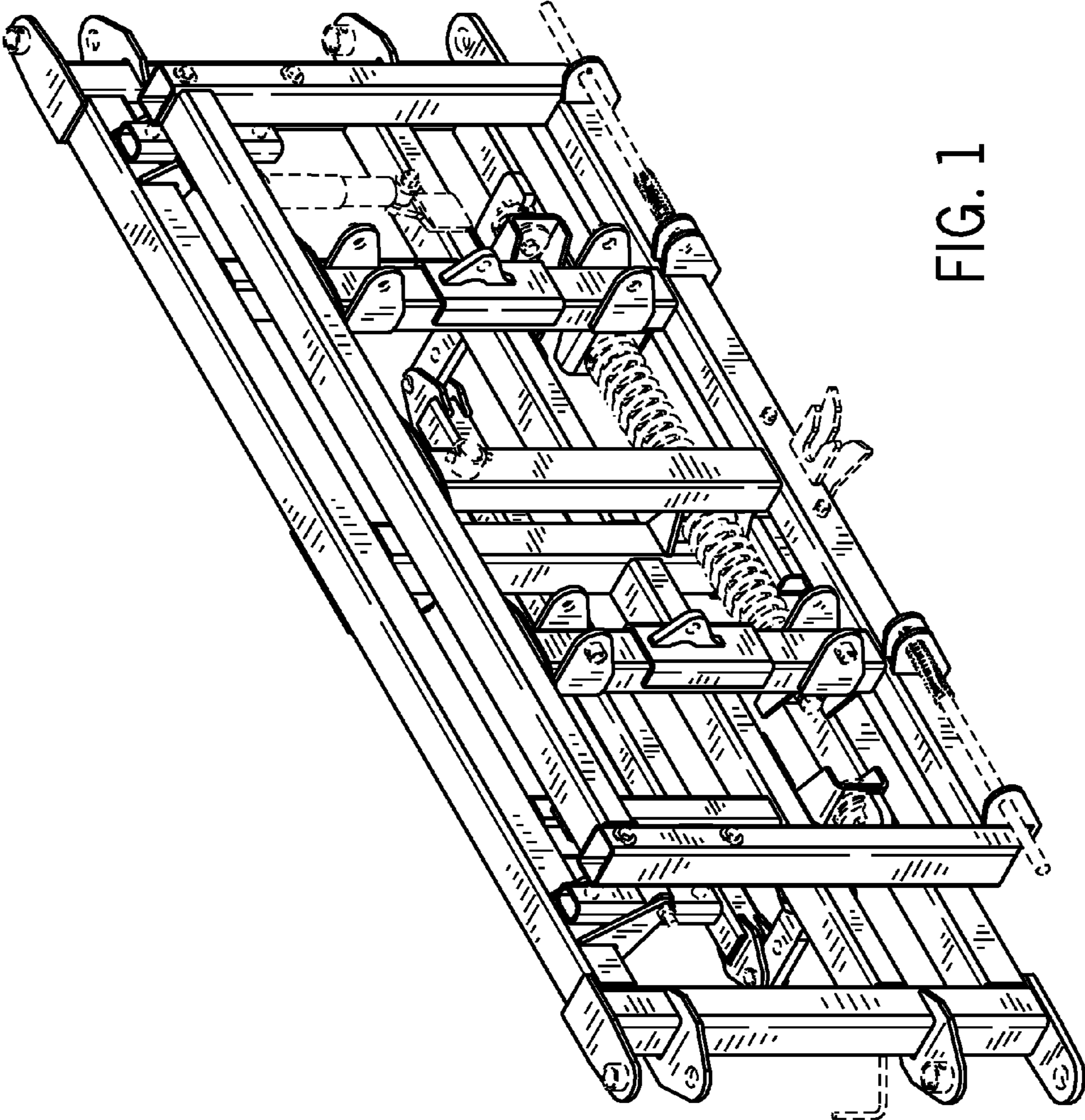


FIG. 1

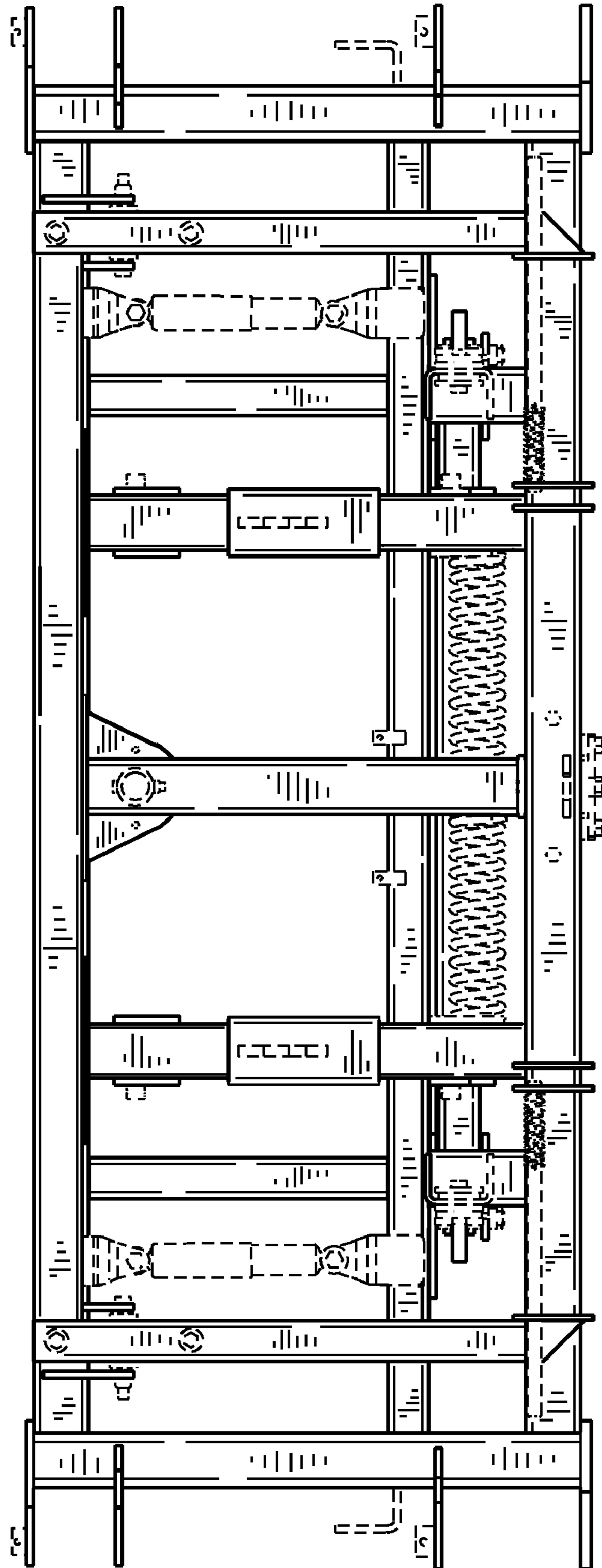


FIG. 2

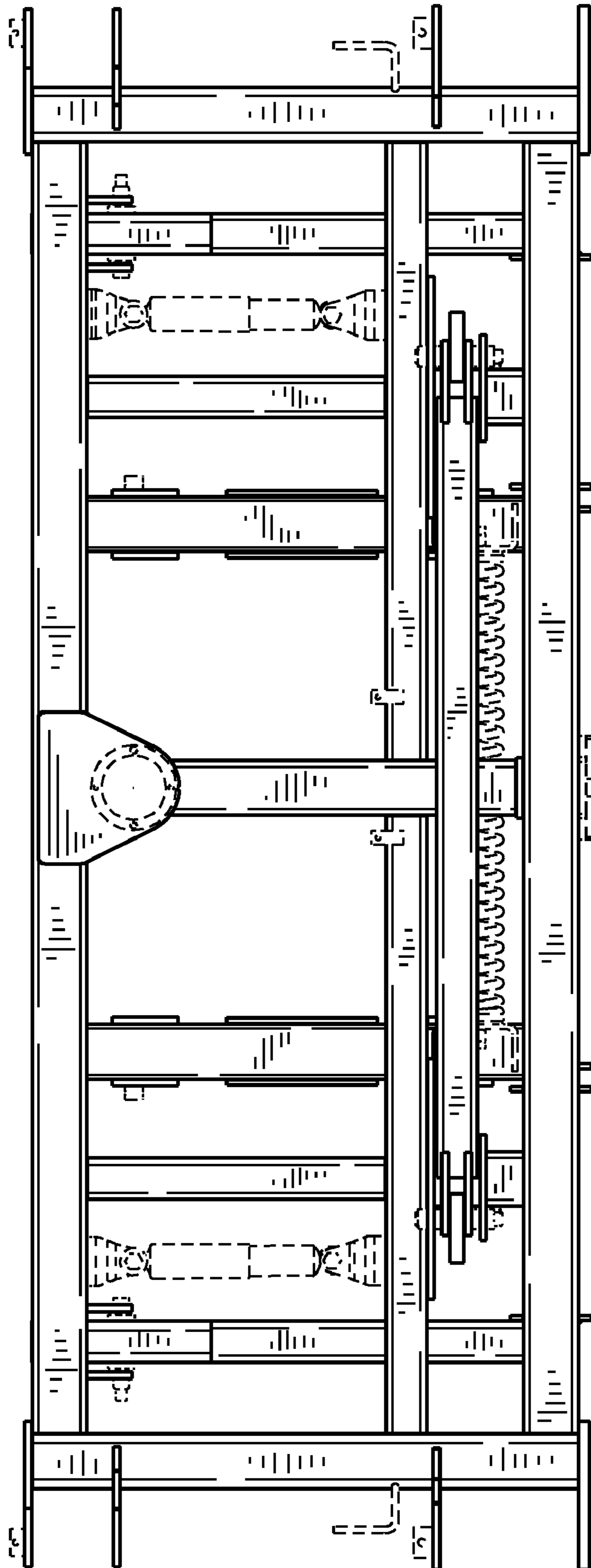


FIG. 3

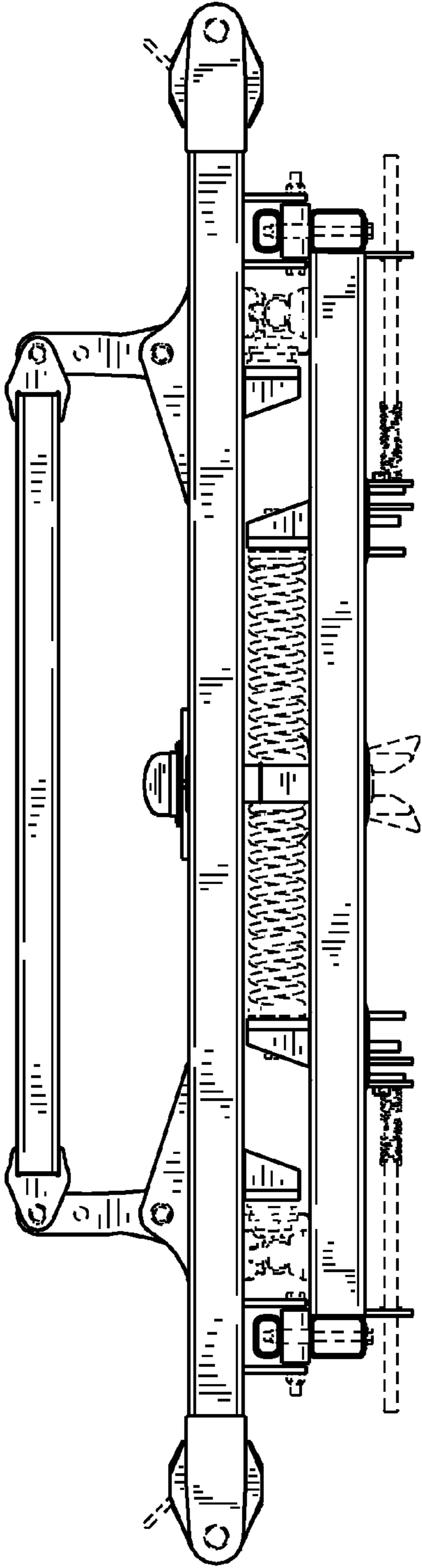


FIG. 4

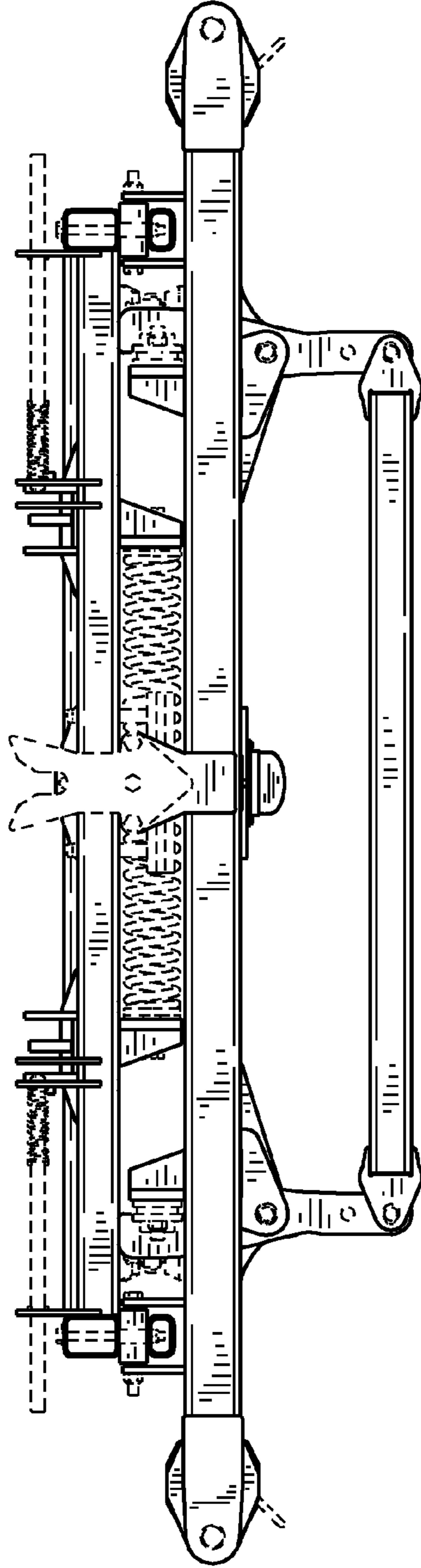


FIG. 5

FIG. 7

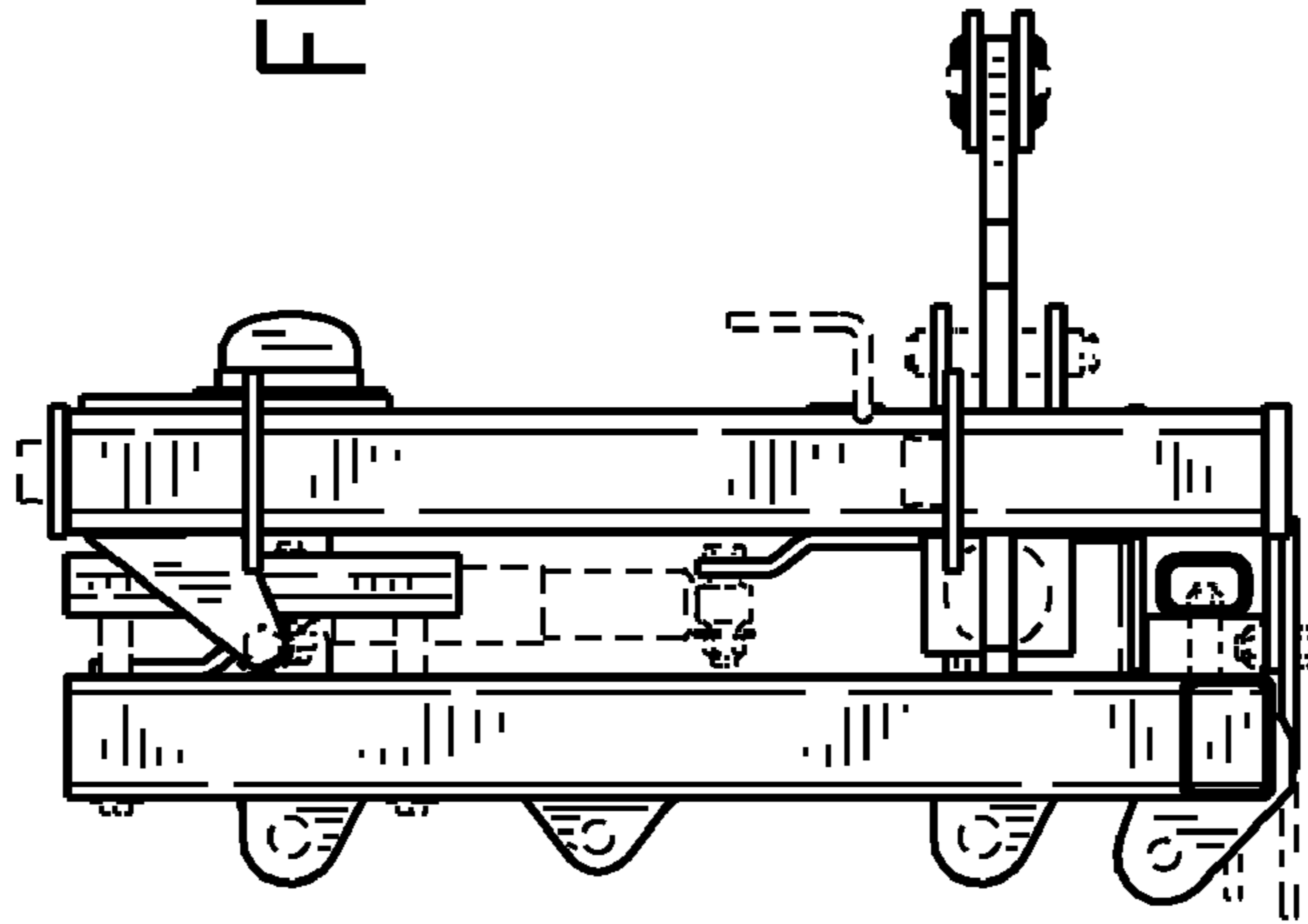


FIG. 6

