



US00D559274S

(12) **United States Design Patent**  
**Chahley et al.**

(10) **Patent No.:** **US D559,274 S**  
(45) **Date of Patent:** **\*\* Jan. 8, 2008**

- (54) **SPRAYER BOOM STRUCTURE**
- (75) Inventors: **Dennis W Chahley**, Martensville (CA);  
**Dennis G Thompson**, Saskatoon (CA)
- (73) Assignee: **CNH Canada, Ltd.** (CA)
- (\*\*) Term: **14 Years**
- (21) Appl. No.: **29/277,254**
- (22) Filed: **Feb. 20, 2007**
- (51) **LOC (8) Cl.** ..... **15-03**
- (52) **U.S. Cl.** ..... **D15/13**
- (58) **Field of Classification Search** ..... D15/10,  
D15/13, 27, 28, 33; 172/311, 439, 444; 239/159-169,  
239/172, 722  
See application file for complete search history.

|              |      |         |                   |       |         |
|--------------|------|---------|-------------------|-------|---------|
| 6,367,712    | B1 * | 4/2002  | Larsen            | ..... | 239/159 |
| 6,402,051    | B1 * | 6/2002  | Humpal            | ..... | 239/166 |
| 6,491,234    | B2 * | 12/2002 | Beggs             | ..... | 239/166 |
| 6,719,213    | B1 * | 4/2004  | Ferguson          | ..... | 239/166 |
| 6,837,446    | B1 * | 1/2005  | Jesse             | ..... | 239/161 |
| 6,966,501    | B2 * | 11/2005 | Wubben et al.     | ..... | 239/168 |
| 7,150,419    | B1 * | 12/2006 | Tomlonovic et al. | ..... | 239/722 |
| 7,152,811    | B2 * | 12/2006 | Gunlogson et al.  | ..... | 239/159 |
| 2002/0020760 | A1 * | 2/2002  | Beggs             | ..... | 239/166 |
| 2002/0113137 | A1 * | 8/2002  | Guesdon           | ..... | 239/1   |
| 2003/0052188 | A1 * | 3/2003  | Maliteare         | ..... | 239/159 |
| 2004/0238659 | A1 * | 12/2004 | Wubben et al.     | ..... | 239/166 |
| 2006/0011741 | A1 * | 1/2006  | Hahn et al.       | ..... | 239/172 |
| 2006/0201075 | A1 * | 9/2006  | Rivas et al.      | ..... | 52/111  |
| 2006/0255175 | A1 * | 11/2006 | Thompson et al.   | ..... | 239/168 |

\* cited by examiner

*Primary Examiner*—Stella M. Reid  
*Assistant Examiner*—Mark Goodwin  
(74) *Attorney, Agent, or Firm*—Rebecca Henkel

(56) **References Cited**  
U.S. PATENT DOCUMENTS

|           |      |         |                  |       |         |
|-----------|------|---------|------------------|-------|---------|
| 3,447,750 | A *  | 6/1969  | Weston           | ..... | 239/167 |
| 3,887,132 | A *  | 6/1975  | Widmer           | ..... | 239/166 |
| 4,252,274 | A *  | 2/1981  | Kubacak          | ..... | 239/163 |
| 4,372,492 | A *  | 2/1983  | Blumenshine      | ..... | 239/168 |
| D289,876  | S *  | 5/1987  | McDonnell        | ..... | D15/27  |
| 4,711,398 | A *  | 12/1987 | Ganderton et al. | ..... | 239/167 |
| D314,578  | S *  | 2/1991  | Morrison         | ..... | D15/13  |
| 5,039,129 | A *  | 8/1991  | Balmer           | ..... | 180/308 |
| 5,242,120 | A *  | 9/1993  | Barber et al.    | ..... | 239/656 |
| 5,375,767 | A *  | 12/1994 | Thorstenson      | ..... | 239/164 |
| D355,919  | S *  | 2/1995  | Larson et al.    | ..... | D15/13  |
| 5,402,945 | A *  | 4/1995  | Swanson, Jr.     | ..... | 239/706 |
| 5,673,854 | A *  | 10/1997 | Kinder           | ..... | 239/164 |
| D410,656  | S *  | 6/1999  | Thyberg et al.   | ..... | D15/13  |
| 5,927,606 | A *  | 7/1999  | Patterson        | ..... | 239/167 |
| 5,992,759 | A *  | 11/1999 | Patterson        | ..... | 239/167 |
| 6,047,901 | A *  | 4/2000  | Pederson et al.  | ..... | 239/159 |
| 6,085,993 | A *  | 7/2000  | Beggs            | ..... | 239/166 |
| 6,119,963 | A *  | 9/2000  | Bastin et al.    | ..... | 239/168 |
| 6,131,821 | A *  | 10/2000 | Nejsum           | ..... | 239/168 |
| 6,293,475 | B1 * | 9/2001  | Sobolik          | ..... | 239/168 |
| 6,343,661 | B1 * | 2/2002  | Thompson et al.  | ..... | 172/444 |

(57) **CLAIM**

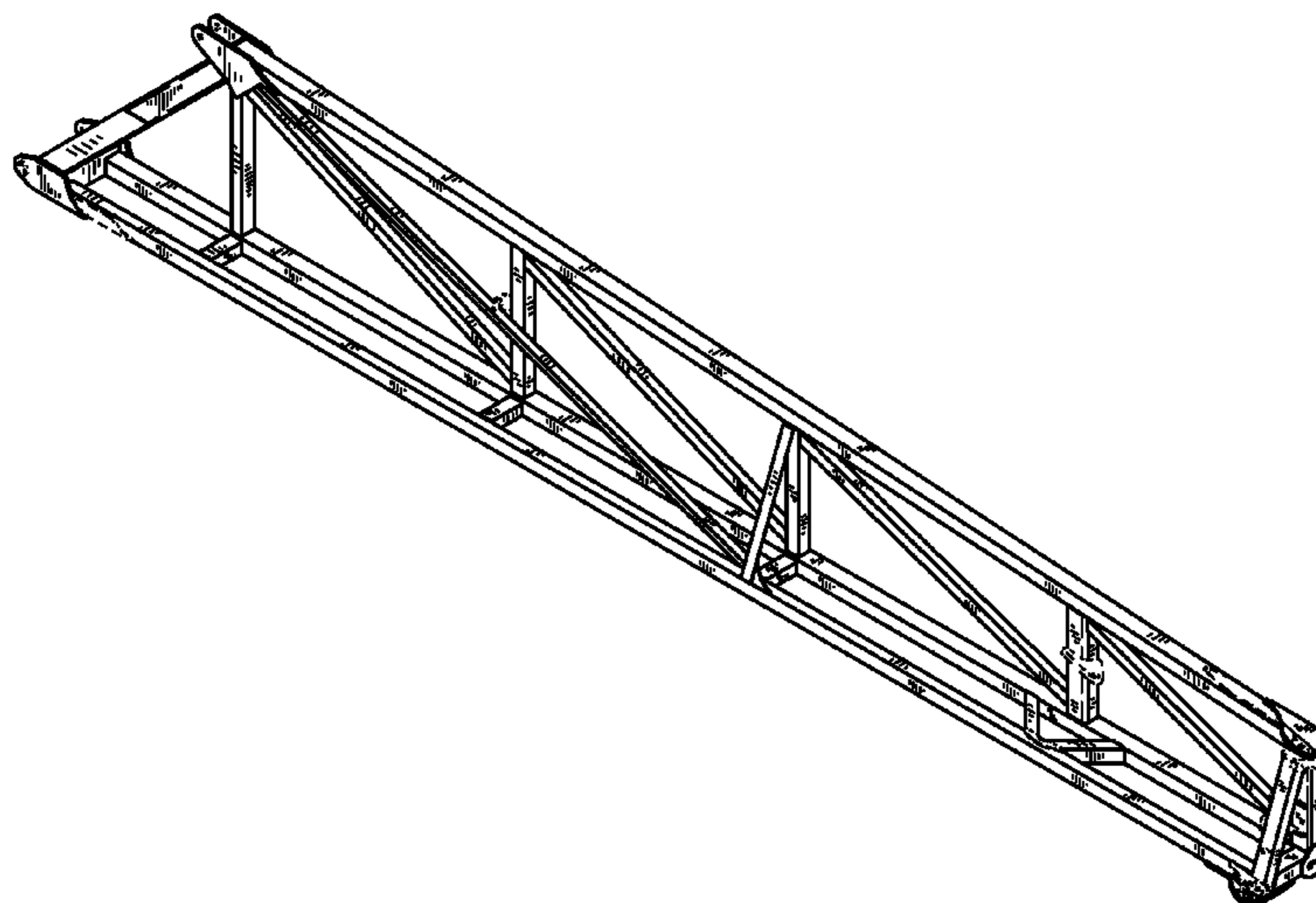
We claim the ornamental design for the sprayer boom structure, as shown and described.

**DESCRIPTION**

FIG. 1 is a top left perspective view of the sprayer boom structure showing our new design;  
FIG. 2 is a left side view thereof;  
FIG. 3 is a right side view thereof;  
FIG. 4 is a top plan view thereof;  
FIG. 5 is a bottom plan view thereof;  
FIG. 6 is an enlarged right end view thereof; and,  
FIG. 7 is an enlarged left end view thereof.

The broken line showing in FIGS. 1-7 is included for the purpose of illustrating portions of the sprayer boom structure and forms no part of the claimed design.

**1 Claim, 4 Drawing Sheets**



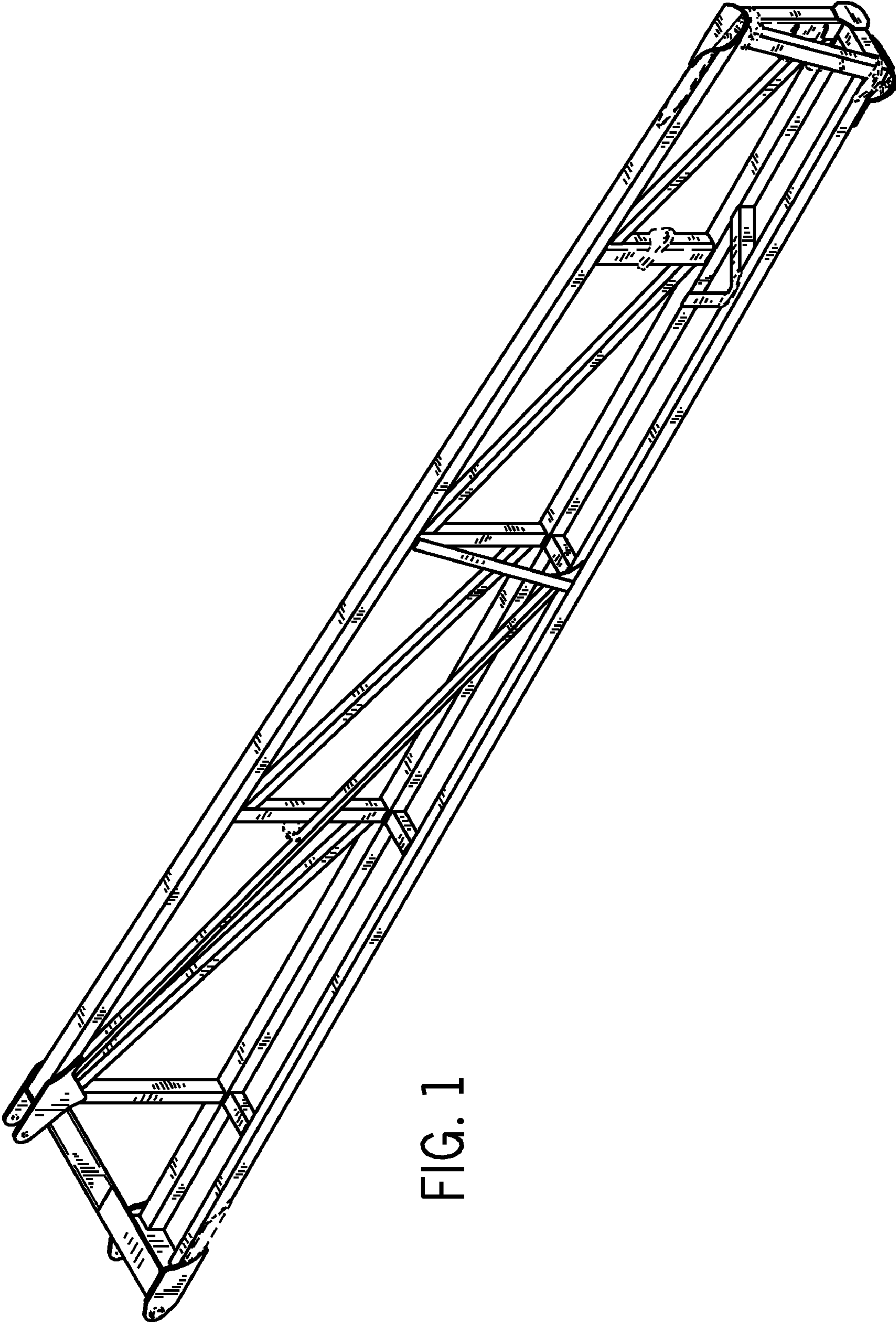


FIG. 1

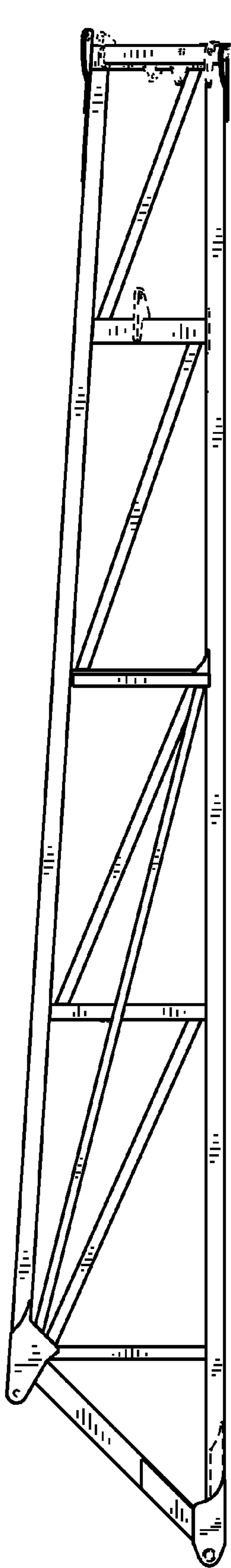


FIG. 2

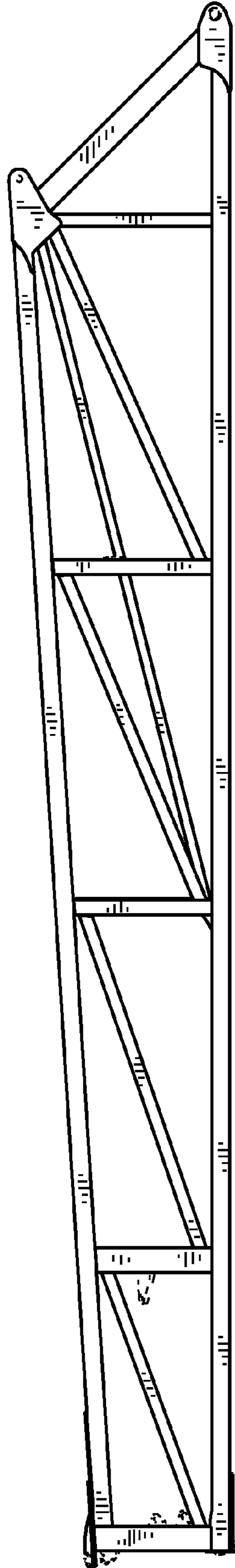


FIG. 3

FIG. 4

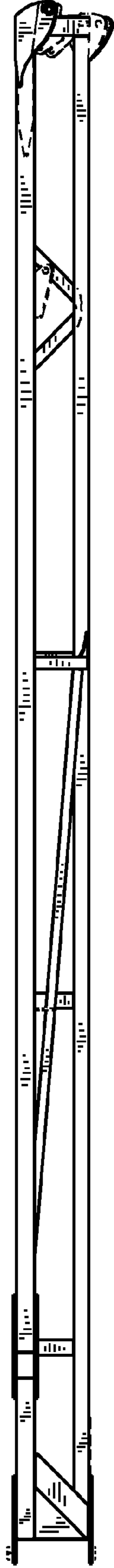
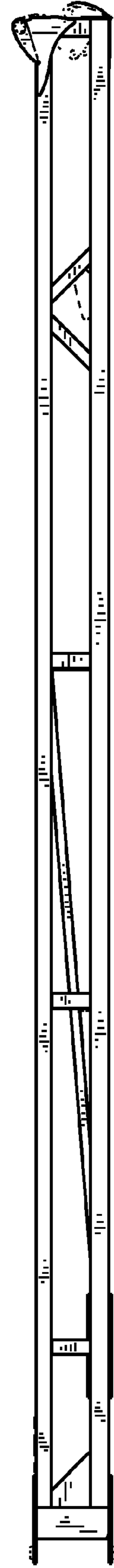


FIG. 5



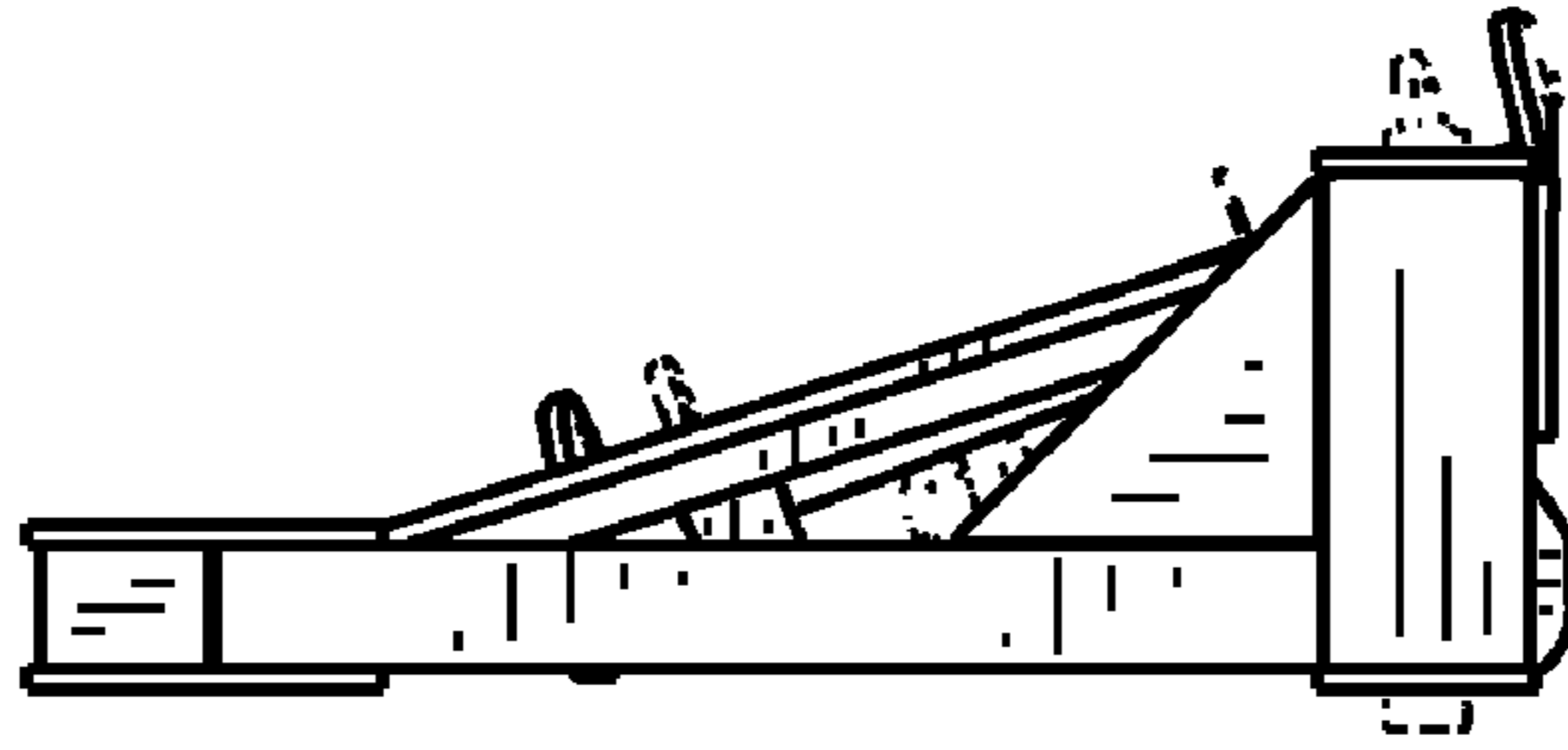


FIG. 7

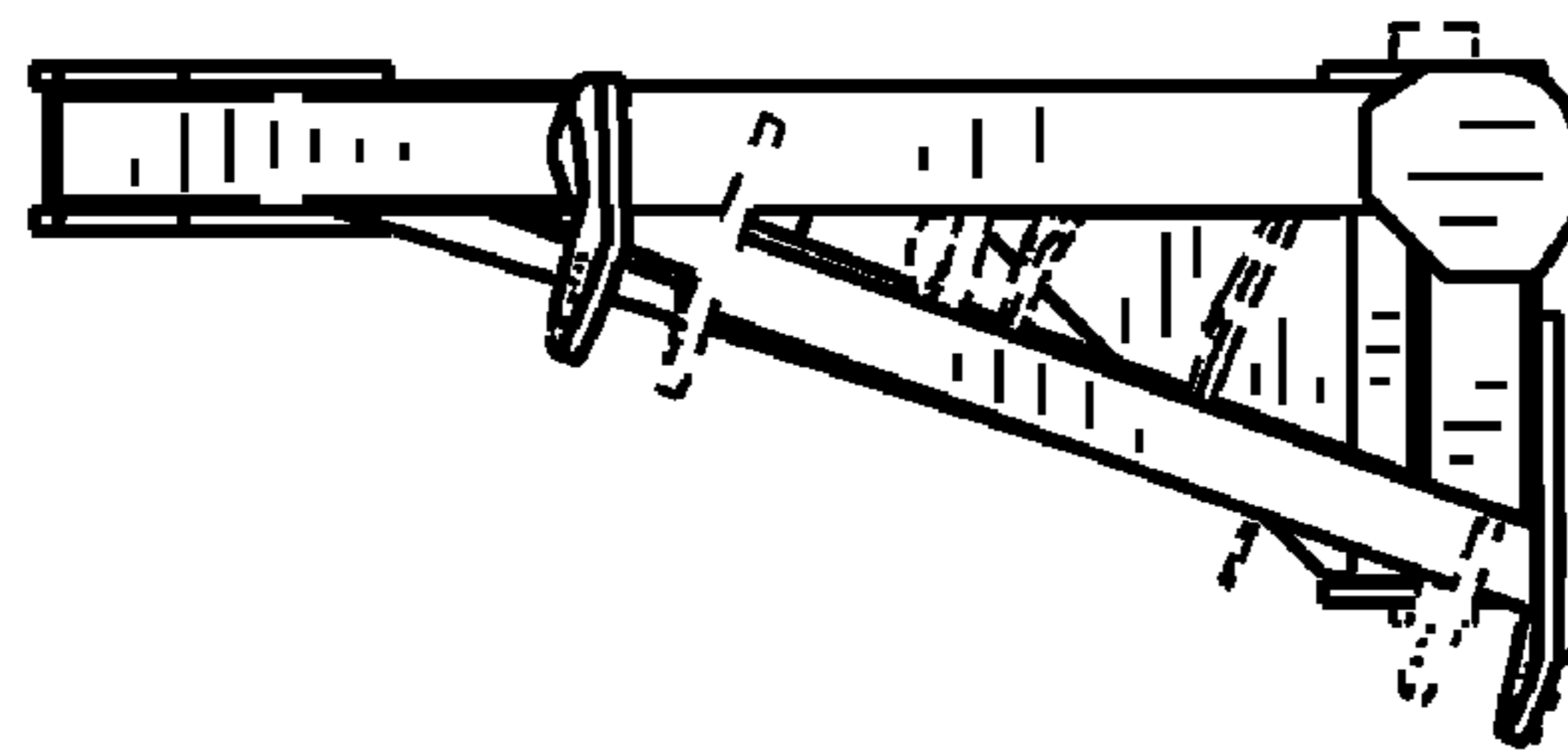


FIG. 6