



US00D559273S

(12) **United States Design Patent**  
**Hernandez et al.**

(10) **Patent No.:** **US D559,273 S**  
(45) **Date of Patent:** **\*\* Jan. 8, 2008**

(54) **COMPRESSOR APPARATUS**

(75) Inventors: **Hector R. Hernandez**, Fullerton, CA (US); **Jaime W. Nash**, Rancho Santa Margarita, CA (US)

(73) Assignee: **Alltrade Tools, LLC.**, Long Beach, CA (US)

(\*\*) Term: **14 Years**

(21) Appl. No.: **29/278,459**

(22) Filed: **Mar. 30, 2007**

**Related U.S. Application Data**

(63) Continuation of application No. 29/241,170, filed on Oct. 25, 2005, now Pat. No. Des. 541,305, which is a continuation of application No. 29/216,288, filed on Nov. 1, 2004, now Pat. No. Des. 513,619.

(51) **LOC (8) Cl.** ..... **15-02**

(52) **U.S. Cl.** ..... **D15/9**

(58) **Field of Classification Search** ..... D15/7-9;  
D23/232, 231; 417/359, 415-416, 410.1,  
417/321, 265, 405

See application file for complete search history.

(56) **References Cited**

**U.S. PATENT DOCUMENTS**

D440,578 S \* 4/2001 Nolan ..... D15/9  
D444,796 S 7/2001 Morgan  
D454,357 S \* 3/2002 Diels ..... D15/7  
D485,508 S 1/2004 Hacmon  
D485,782 S 1/2004 Hacmon  
D499,431 S 12/2004 Chen  
D500,050 S 12/2004 Lucchi  
D500,052 S 12/2004 Lucchi

D500,328 S 12/2004 Lucchi  
D505,430 S 5/2005 Buck  
D513,619 S \* 1/2006 Hernandez et al. .... D15/9  
D531,193 S \* 10/2006 Caito ..... D15/9  
D541,305 S \* 4/2007 Hernandez et al. .... D15/9

\* cited by examiner

*Primary Examiner*—Ralf Seifert

(74) *Attorney, Agent, or Firm*—Fulwider Patton LLP

(57) **CLAIM**

The new ornamental design of a compressor apparatus, as shown and described.

**DESCRIPTION**

FIG. 1 is a perspective view, depicting a compressor apparatus of the present invention;

FIG. 2 is a perspective view, depicting the compressor apparatus of FIG. 1 rotated clockwise;

FIG. 3 is an elevational view, depicting a rear view of the compressor apparatus of the present invention;

FIG. 4 is an elevational view, depicting a left side view of the compressor apparatus of the present invention;

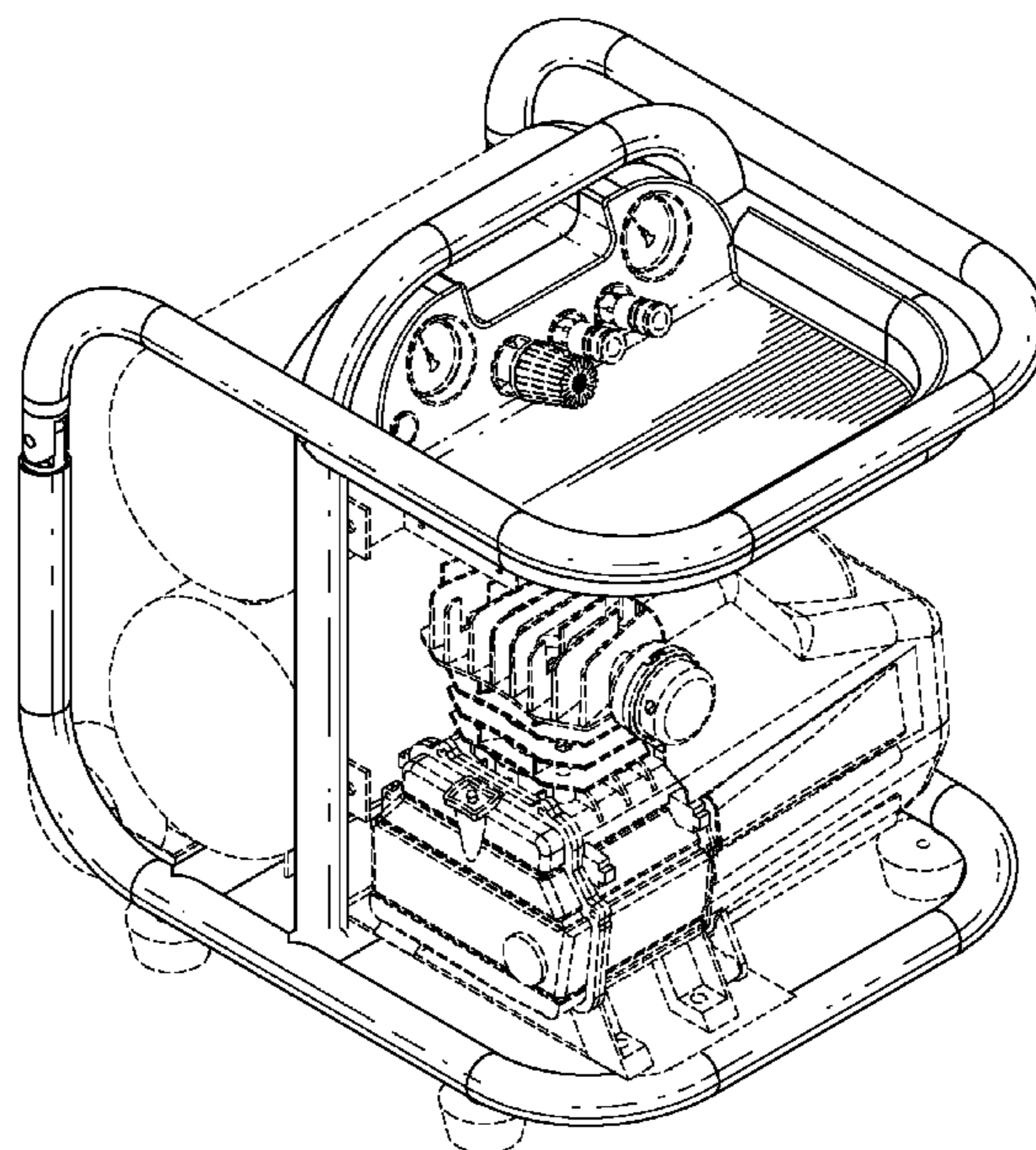
FIG. 5 is an elevational view, depicting a right side view of the compressor apparatus of the present invention;

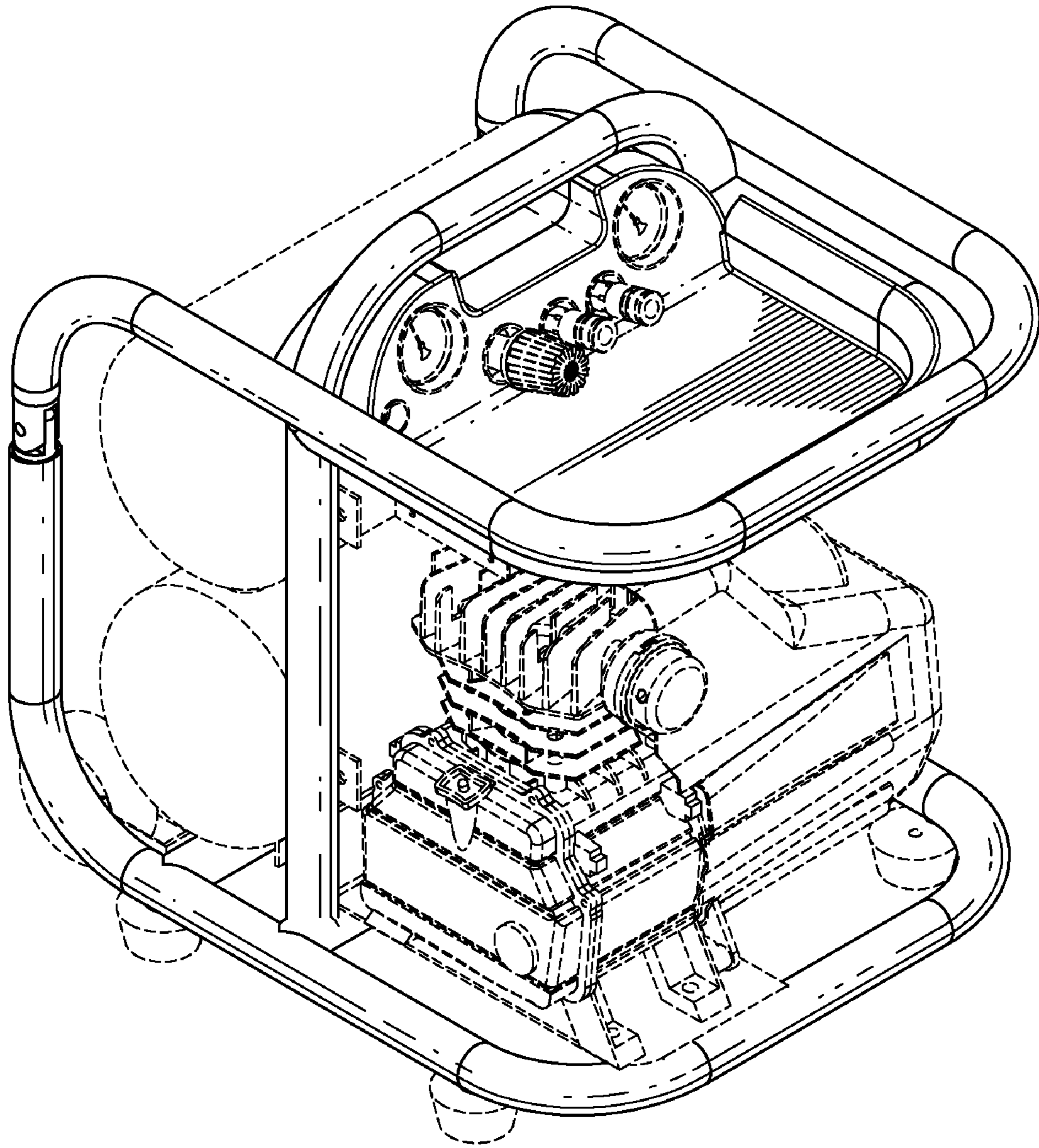
FIG. 6 is a top view, depicting an upper side view of the compressor apparatus of the present invention; and,

FIG. 7 is a bottom view, depicting a lower side view of the compressor apparatus of the present invention.

The broken line showing of elements shown throughout the drawings is included for the purpose of illustrating environmental matter and forms no part of the claimed design.

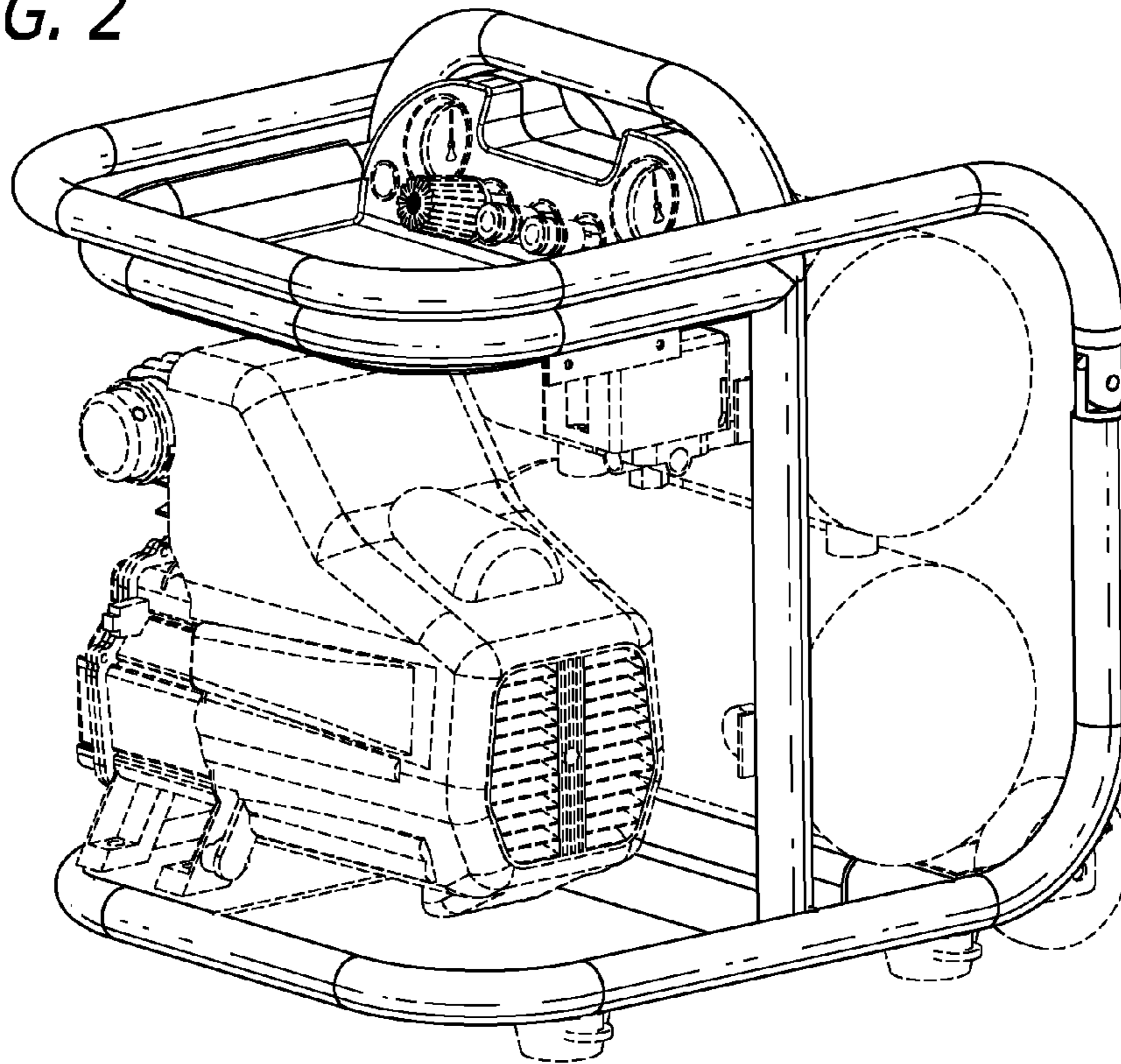
**1 Claim, 4 Drawing Sheets**



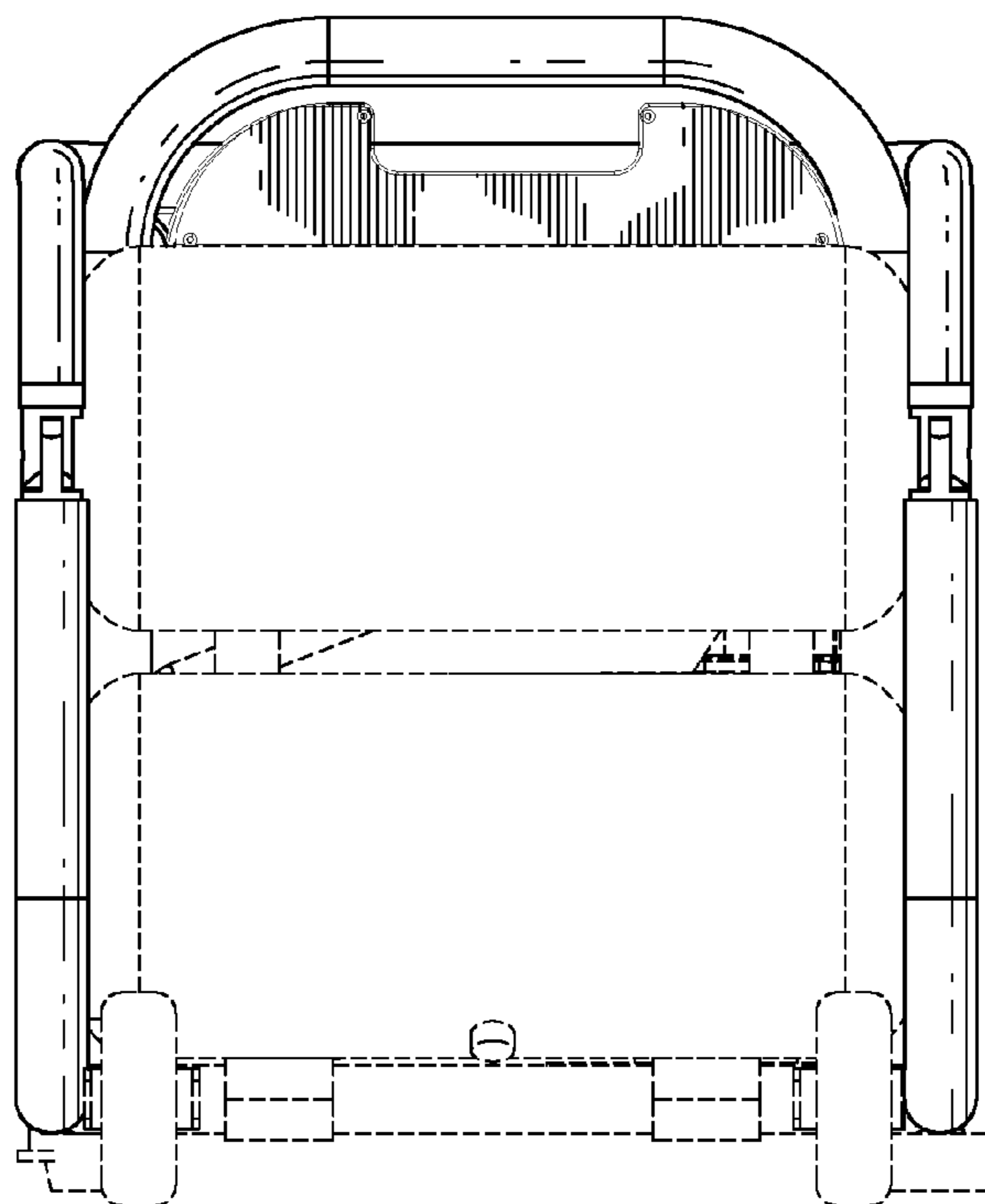


**FIG. 1**

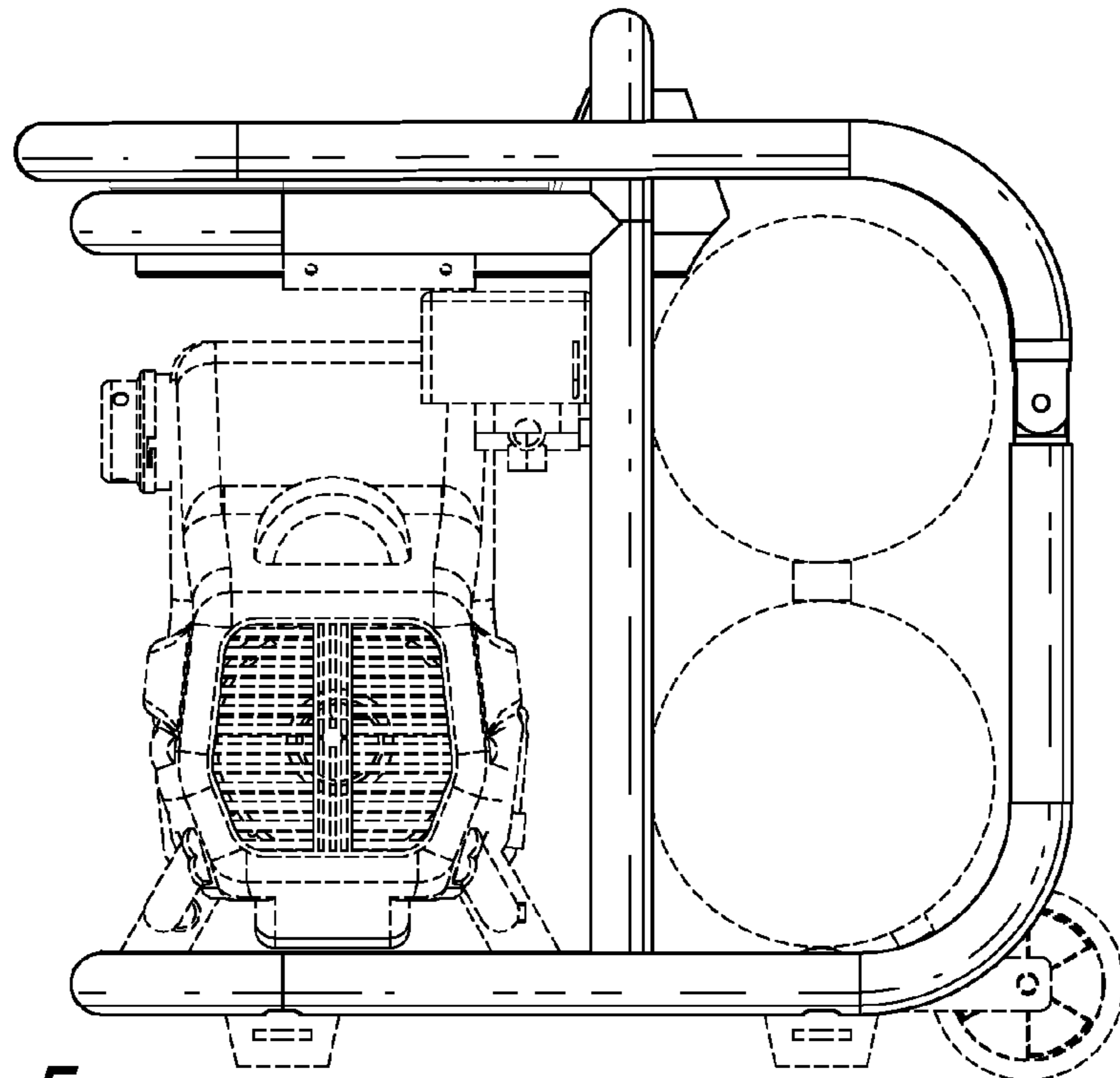
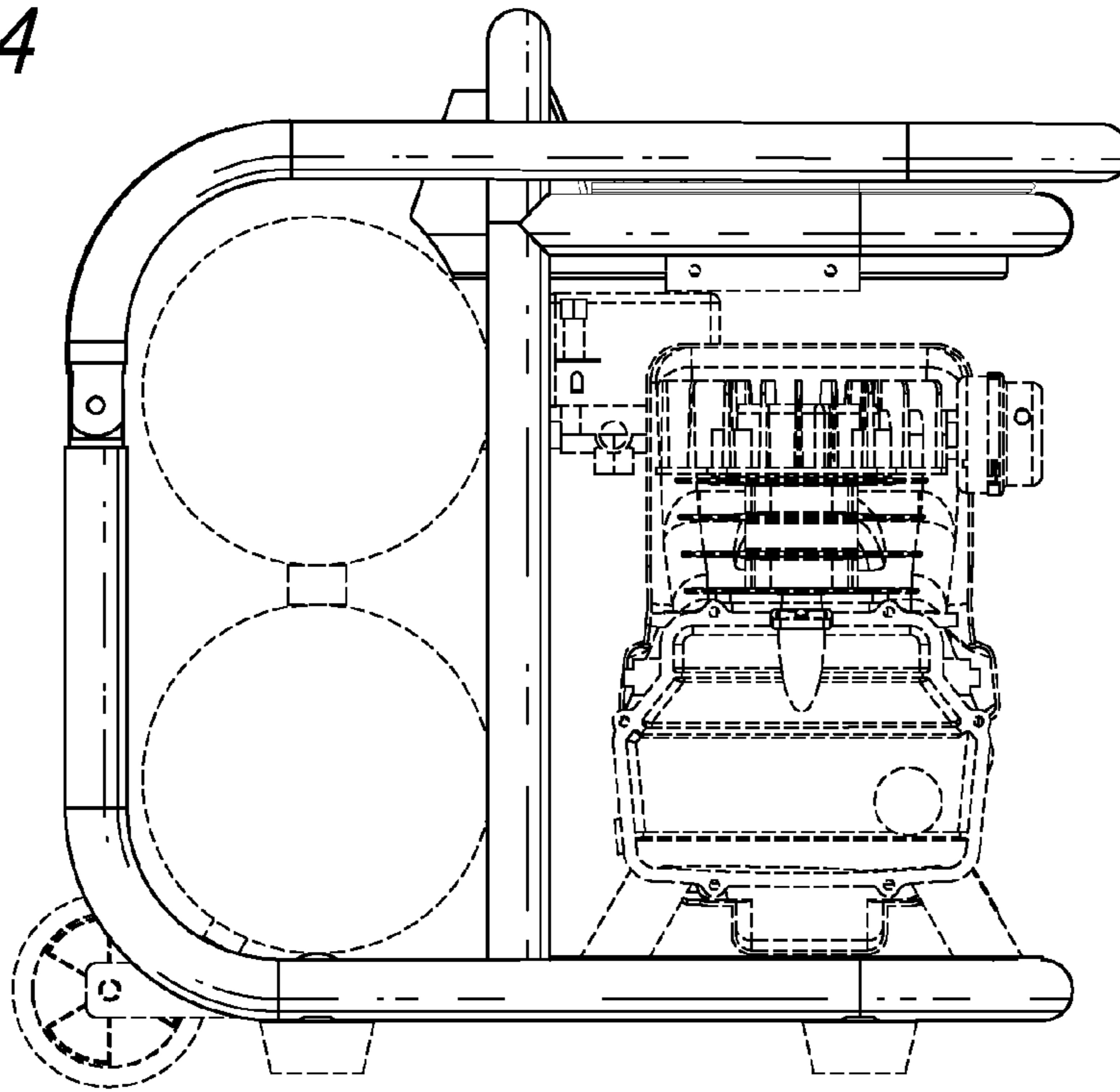
*FIG. 2*



*FIG. 3*



*FIG. 4*



*FIG. 5*

FIG. 6

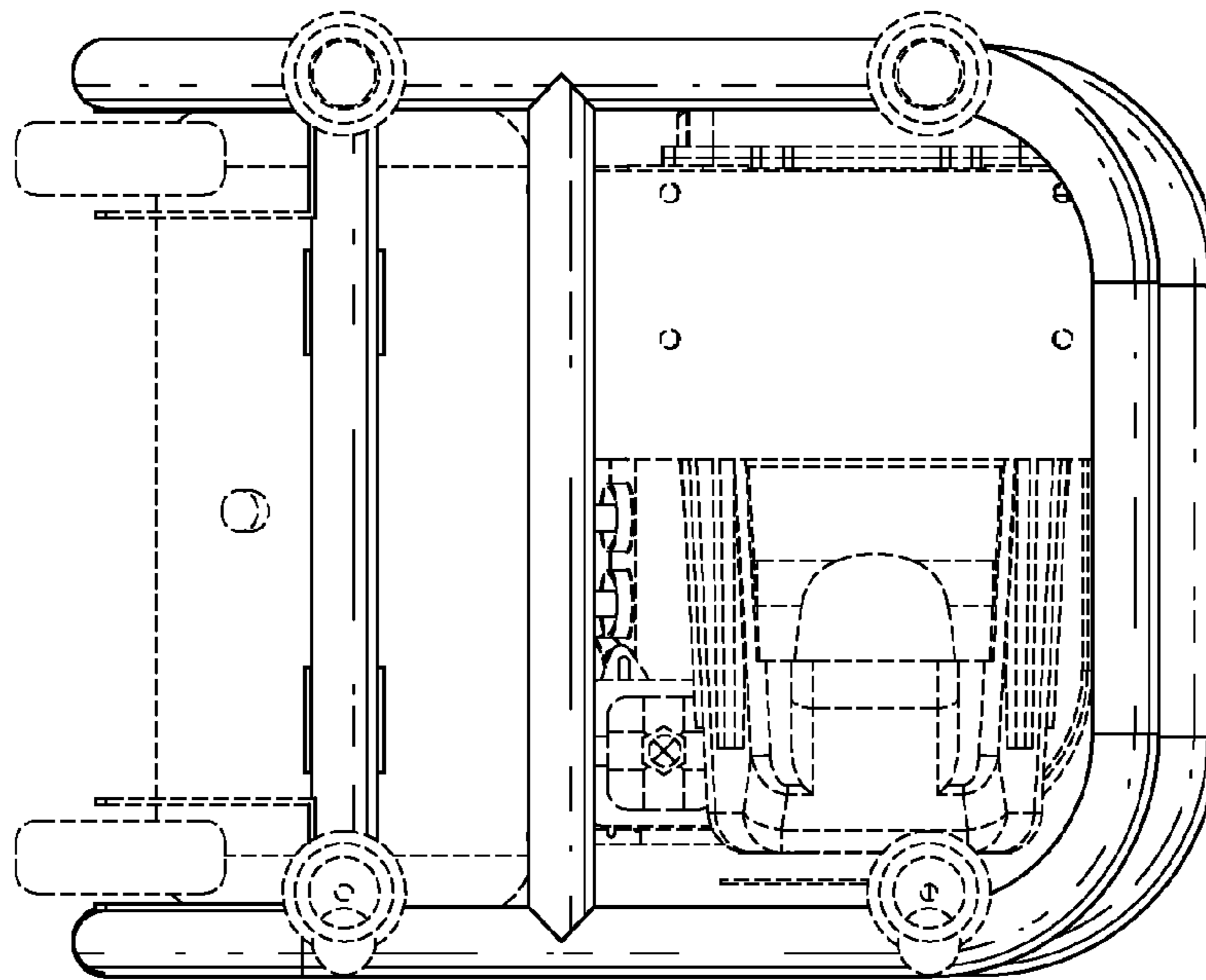
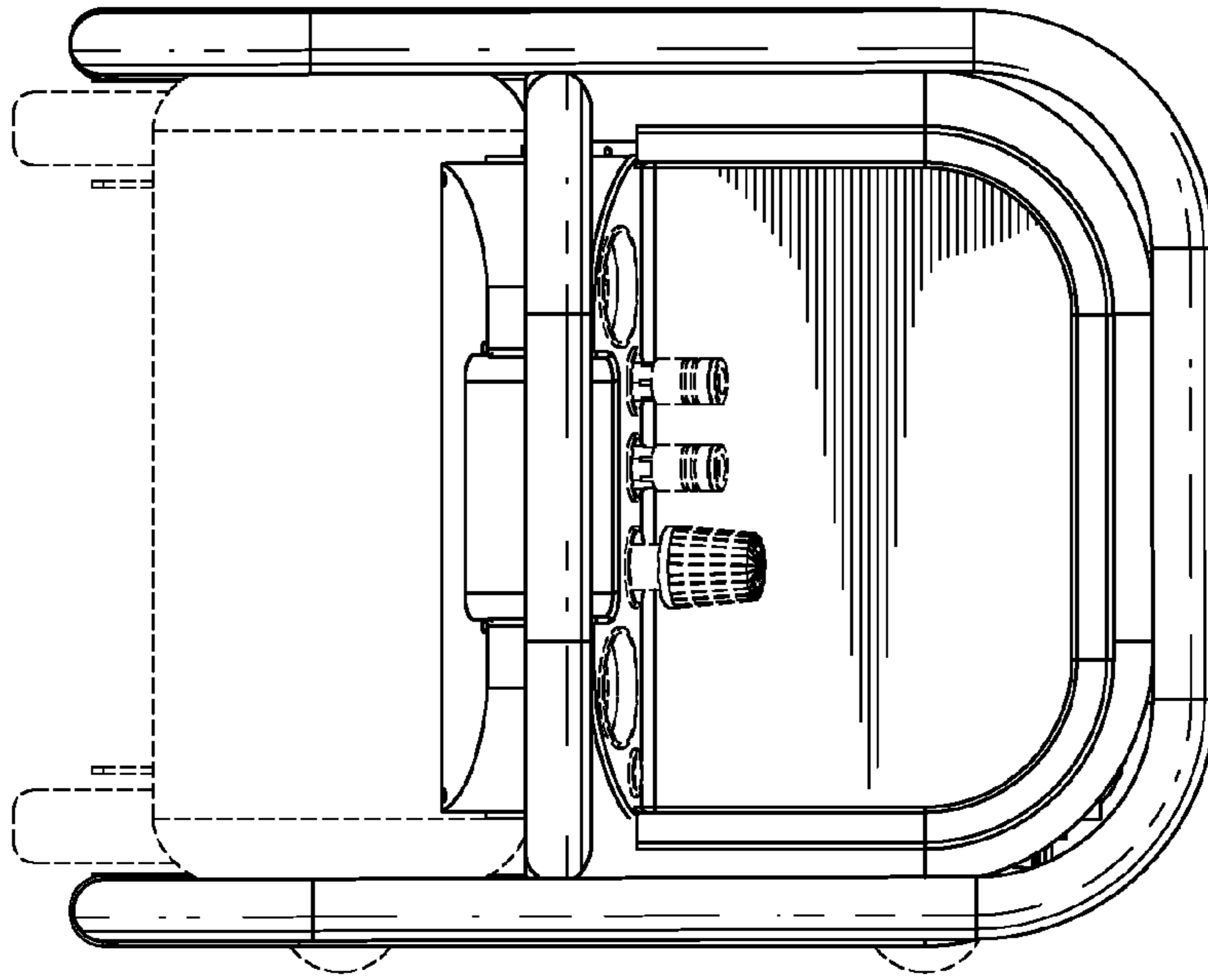


FIG. 7