



US00D559272S

(12) **United States Design Patent**
Buck et al.

(10) **Patent No.:** **US D559,272 S**
(45) **Date of Patent:** **** Jan. 8, 2008**

(54) **WHEELED PORTABLE AIR COMPRESSOR**

(75) Inventors: **John E. Buck**, Cockeysville, MD (US);
Timothy C. Smith, Jackson, TN (US);
John R. Bezold, Jackson, TN (US);
Stephen J. Vos, Jackson, TN (US)

(73) Assignee: **Black & Decker Inc.**, Newark, DE (US)

(**) Term: **14 Years**

(21) Appl. No.: **29/277,294**

(22) Filed: **Feb. 21, 2007**

Related U.S. Application Data

(63) Continuation of application No. 29/258,731, filed on Apr. 26, 2006.

(51) **LOC (8) Cl.** **15-02**

(52) **U.S. Cl.** **D15/9**

(58) **Field of Classification Search** D15/7-9;
D23/232, 231; 417/359, 415-416, 410.1,
417/321, 265, 405

See application file for complete search history.

(56) **References Cited**

U.S. PATENT DOCUMENTS

D487,096 S * 2/2004 Buck D15/9
D487,097 S * 2/2004 Buck D15/9
D499,179 S * 11/2004 Hui-Jung D24/110

D499,430 S * 12/2004 Buck D15/9
D499,747 S * 12/2004 Buck D15/9
D512,075 S * 11/2005 Buck D15/9
2004/0071561 A1 * 4/2004 Baron et al. 417/234

* cited by examiner

Primary Examiner—Ralf Seifert

(74) *Attorney, Agent, or Firm*—Michael P. Leary; Charles E. Yocum; Adan Ayala

(57) **CLAIM**

The ornamental design for a wheeled portable air compressor, as shown and described.

DESCRIPTION

FIG. 1 is a right/front perspective view of a wheeled portable air compressor showing our new design.

FIG. 2 is a left/front perspective view thereof.

FIG. 3 is a front view thereof.

FIG. 4 is a rear view thereof.

FIG. 5 is a right side view thereof.

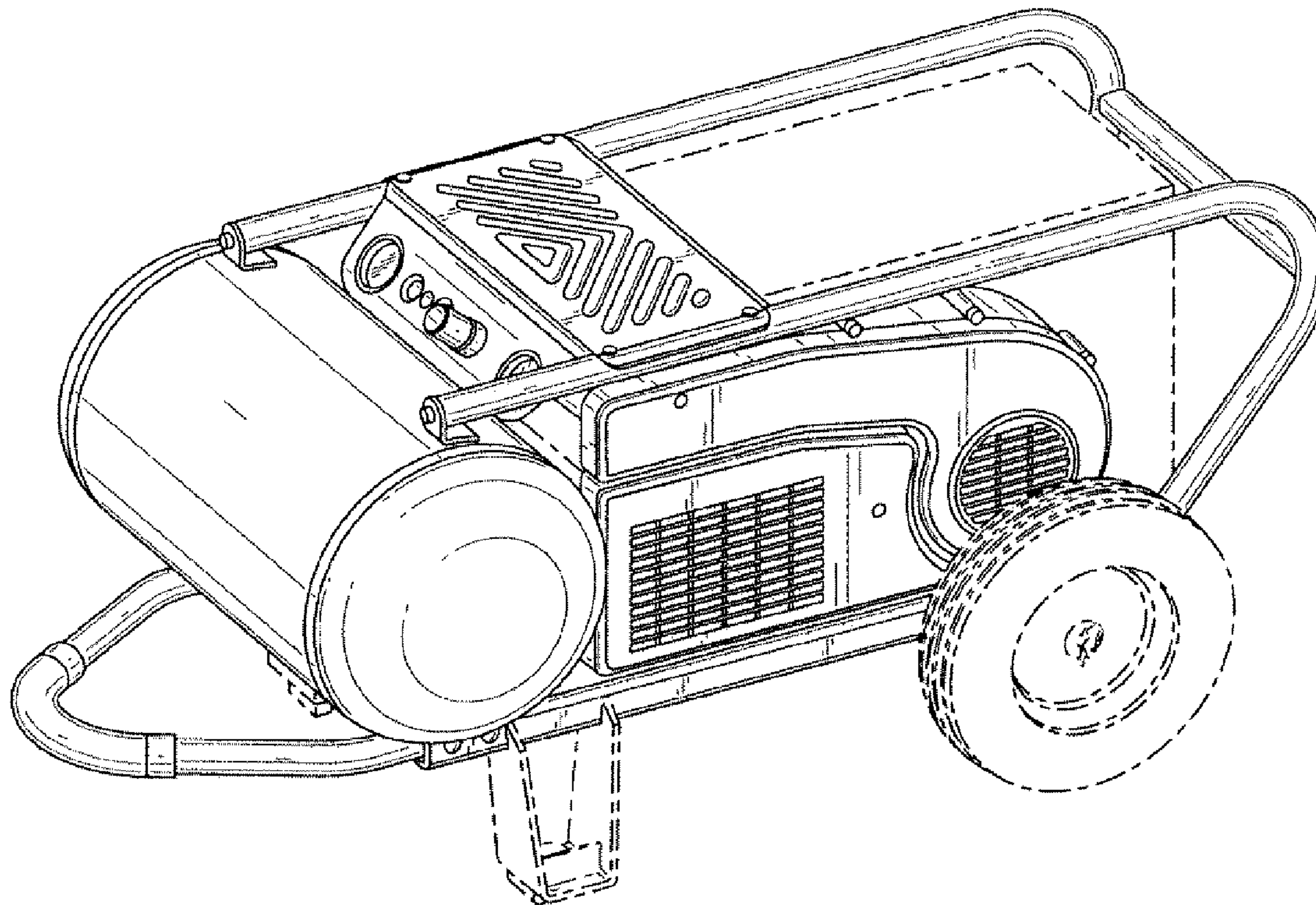
FIG. 6 is a left side view thereof.

FIG. 7 is a top view thereof; and,

FIG. 8 is a bottom view thereof.

The dashed lines and the areas within the dashed lines form no part of the claimed ornamental design.

1 Claim, 8 Drawing Sheets



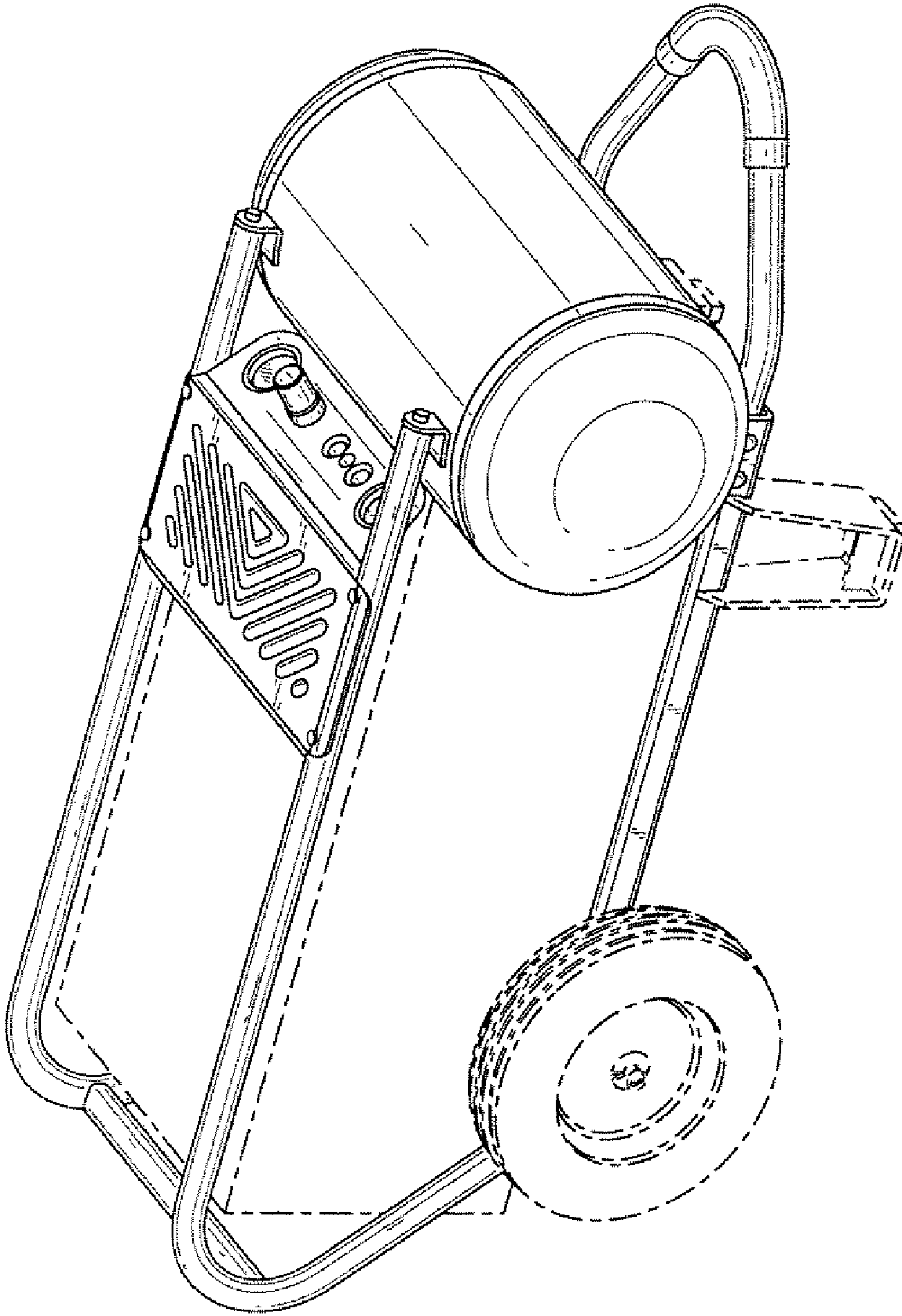


FIG. 1

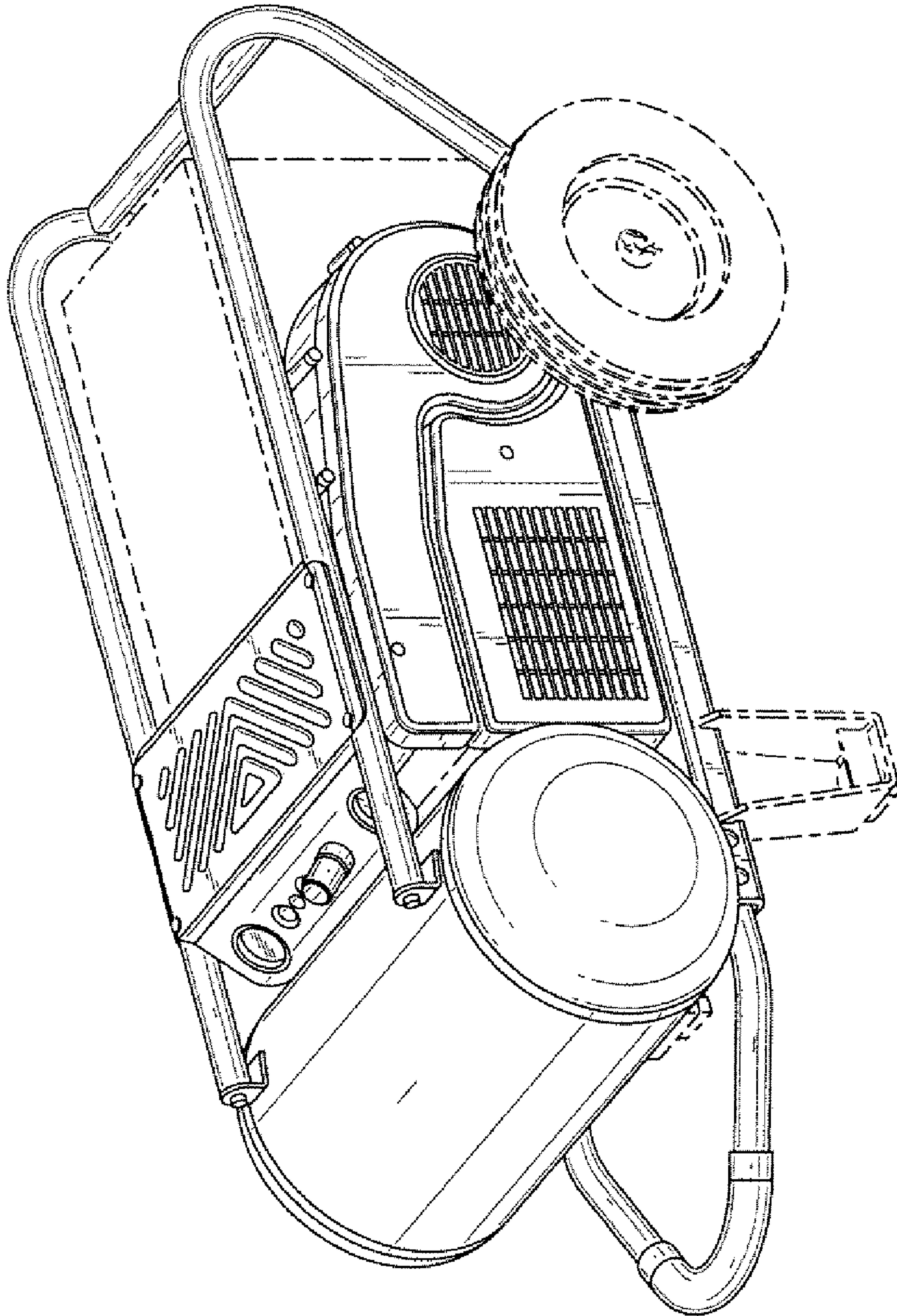


FIG. 2

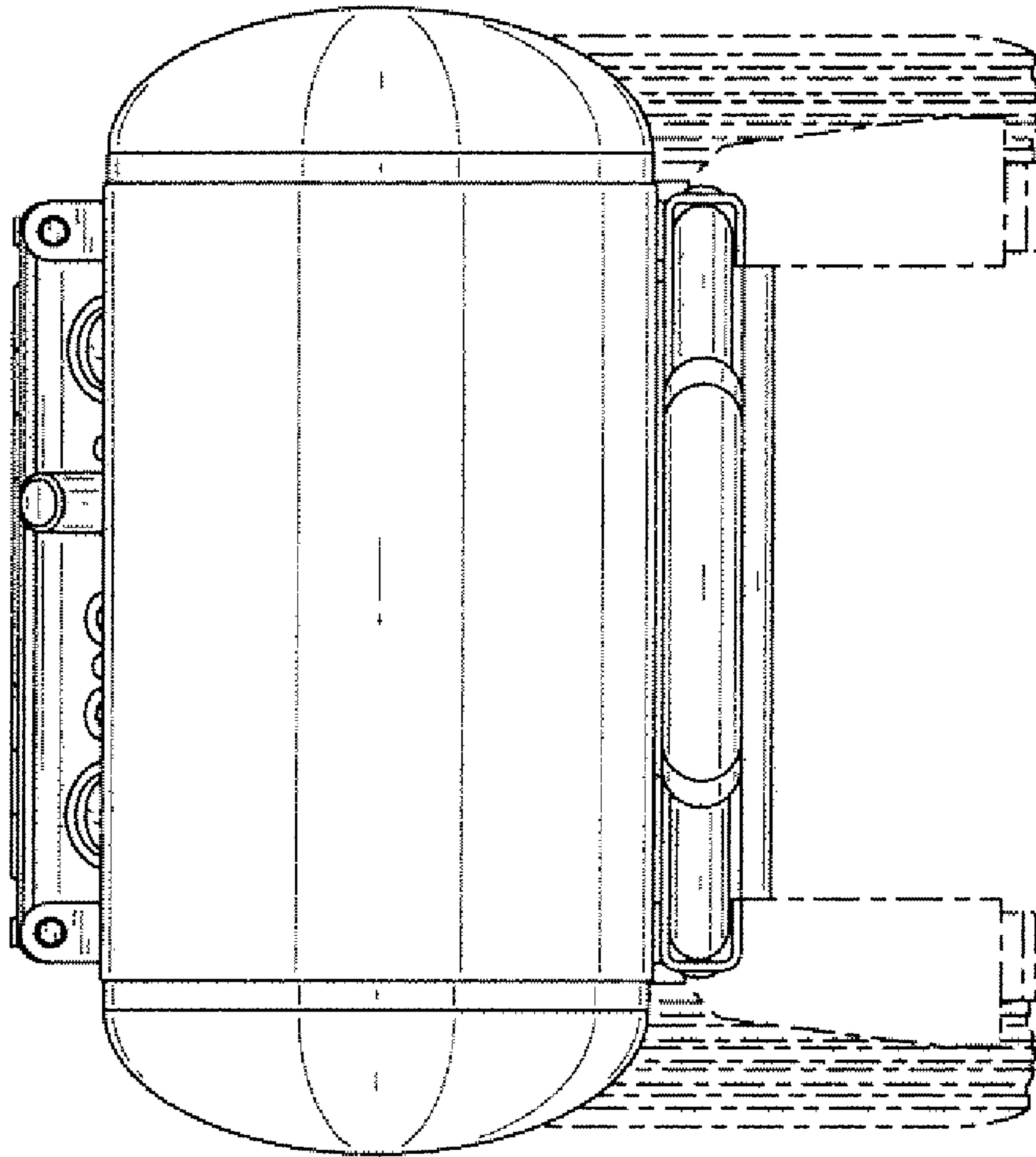


FIG. 3

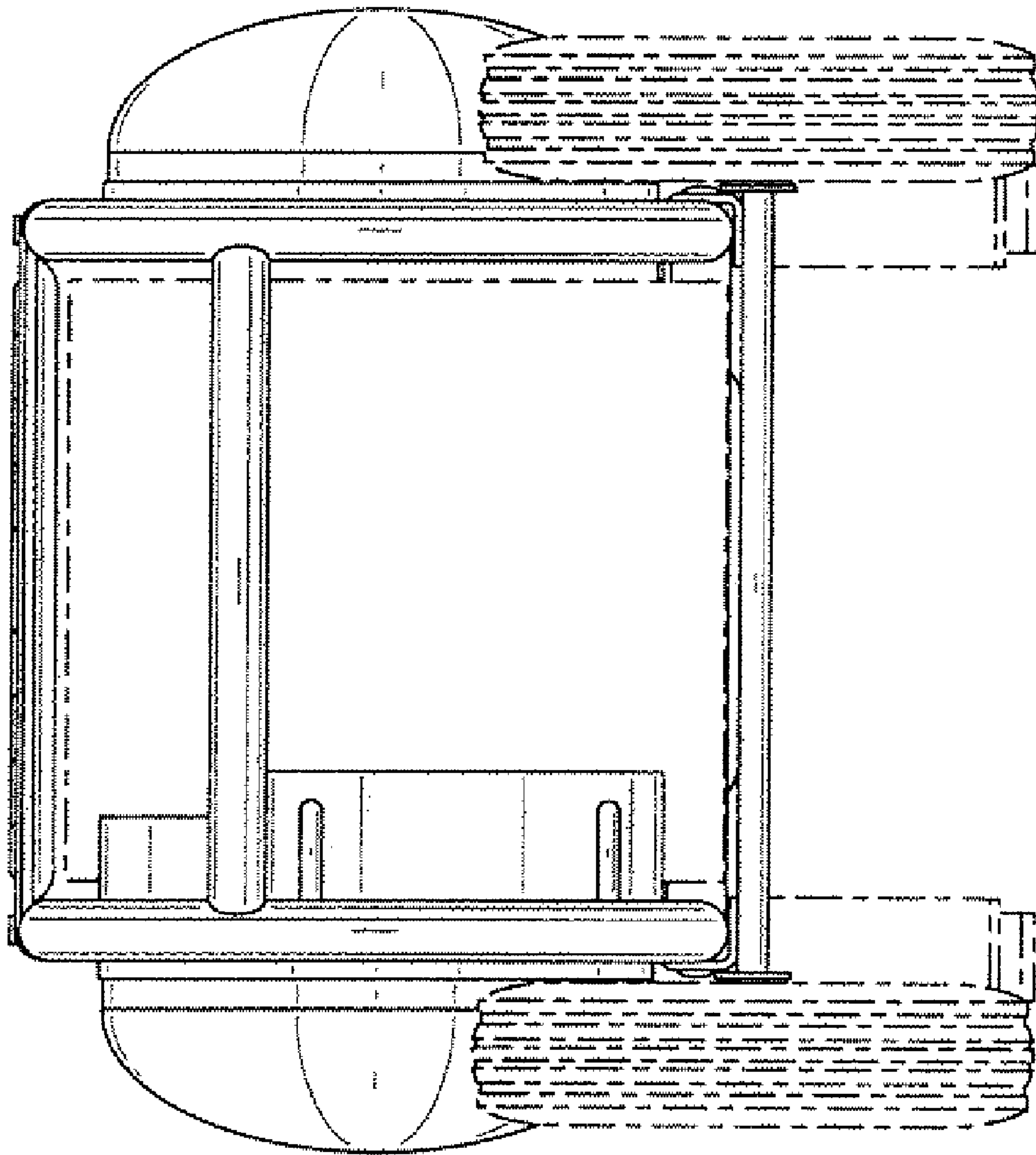


FIG. 4

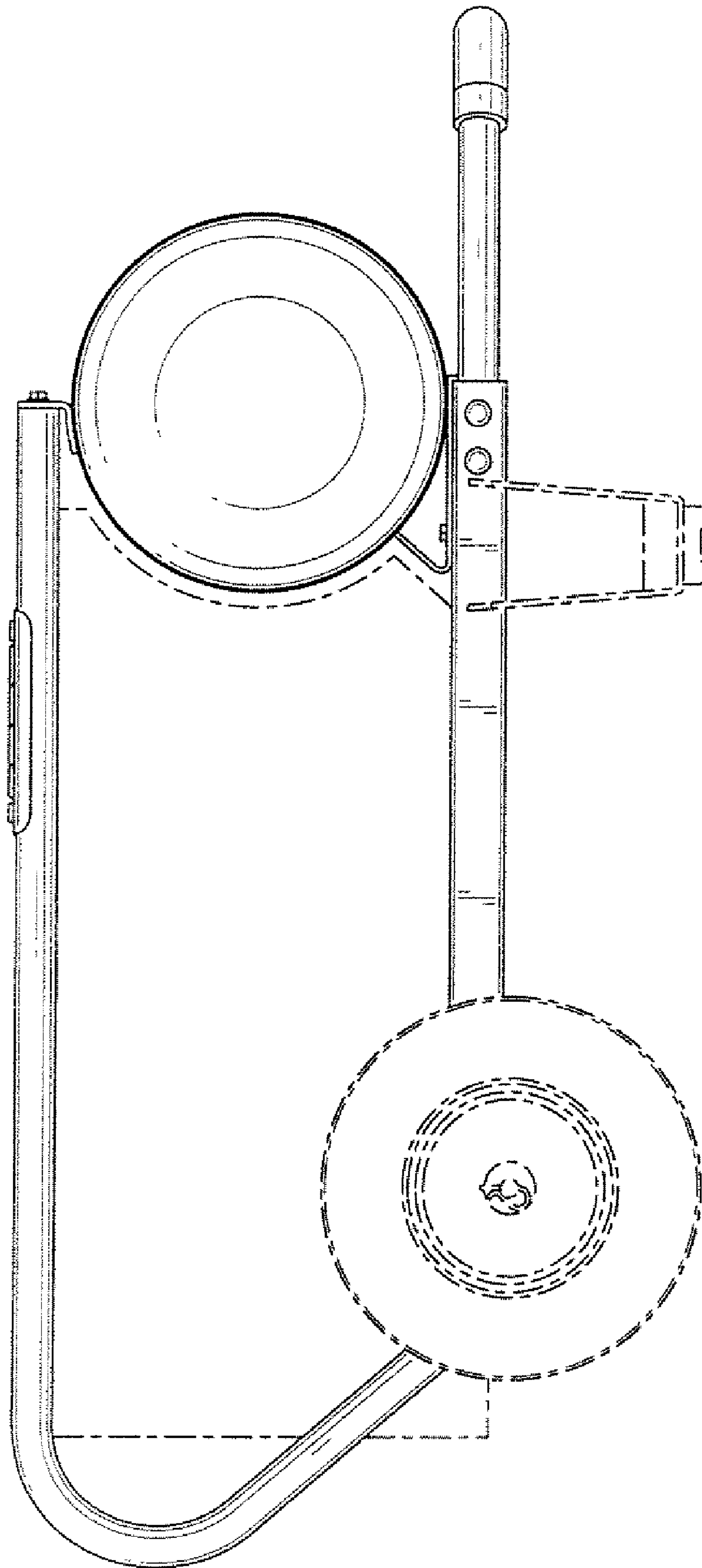


FIG. 5

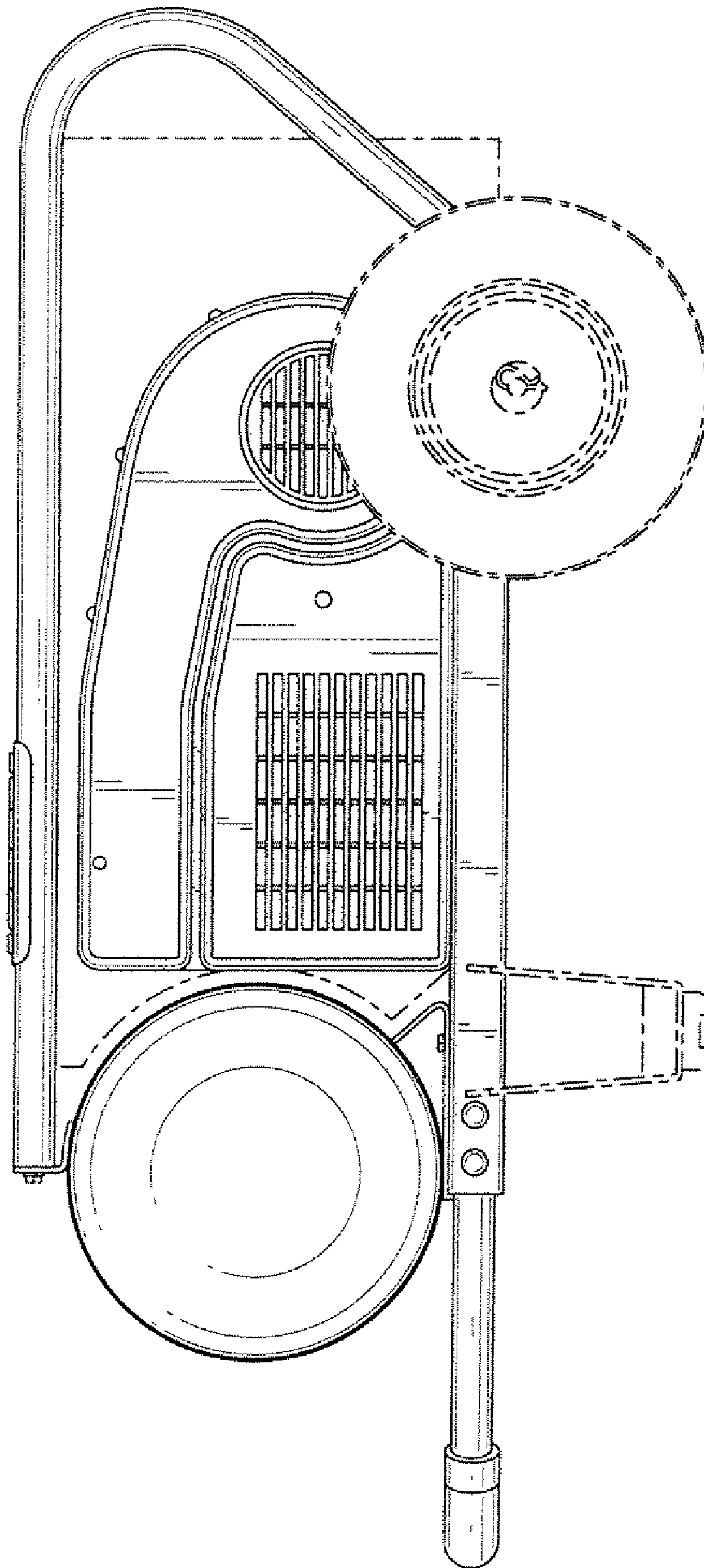


FIG. 6

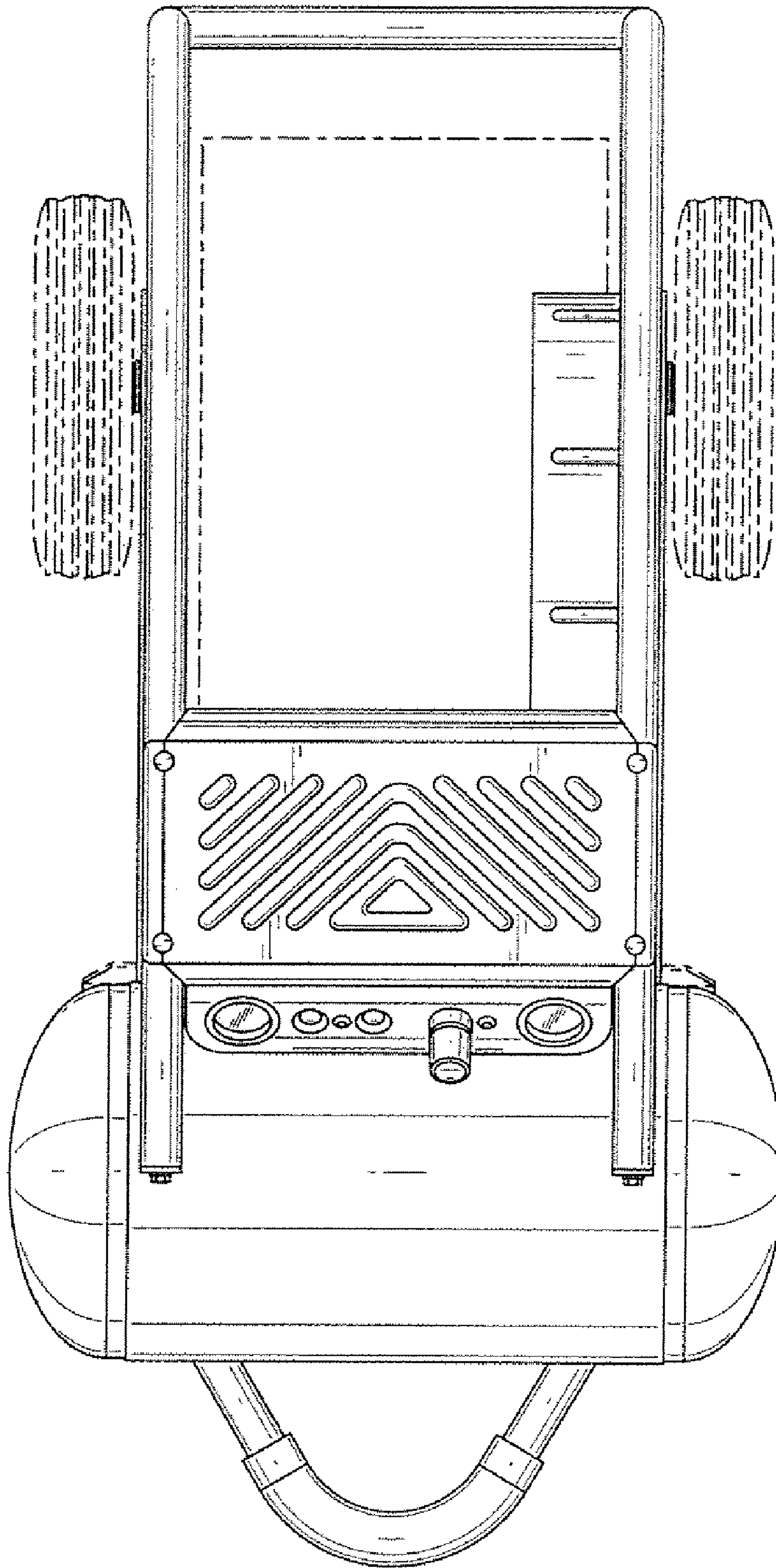


FIG. 7

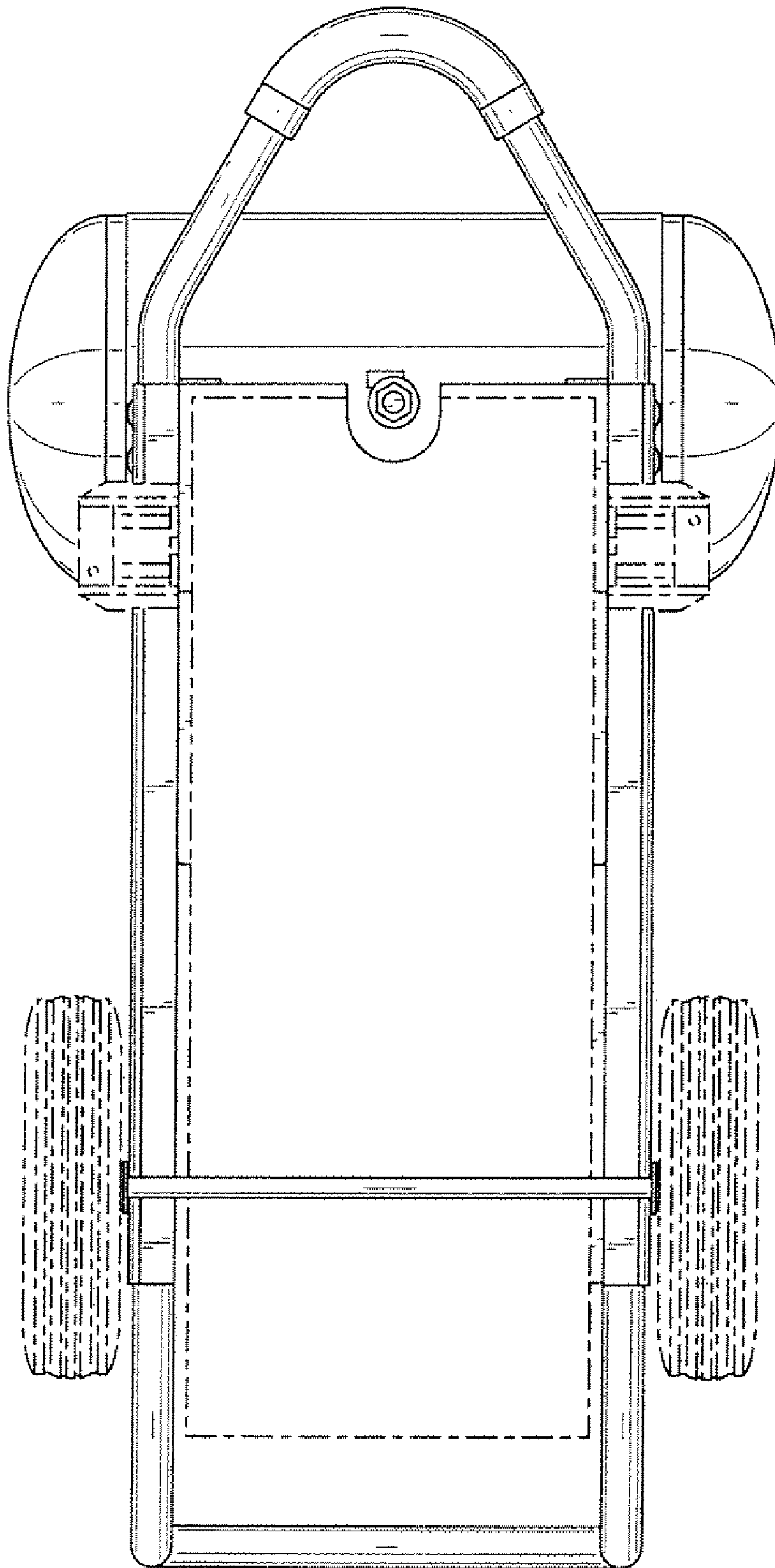


FIG. 8