



US00D559271S

(12) **United States Design Patent**
Hsiao

(10) **Patent No.:** **US D559,271 S**

(45) **Date of Patent:** **** Jan. 8, 2008**

(54) **AIR COMPRESSOR CRANK CASE**

Primary Examiner—Ralf Siefert
(74) *Attorney, Agent, or Firm*—Banger Shia

(76) Inventor: **I-min Hsiao**, no. 427, sec. 2,
doou-chung rd., tien-chung, Chang-Hwa
(TW)

(57) **CLAIM**

(**) Term: **14 Years**

The ornamental design for an air compressor crank case, as shown and described.

(21) Appl. No.: **29/278,249**

DESCRIPTION

(22) Filed: **Mar. 23, 2007**

(51) **LOC (8) Cl.** **15-02**

FIG. 1 is a perspective view of an air compressor crank case showing my new design;

(52) **U.S. Cl.** **D15/7**

FIG. 2 is a front elevational view thereof;

(58) **Field of Classification Search** D15/7-9;
D23/232, 231; 417/359, 415-416, 410.1,
417/321, 265, 405

FIG. 3 is a rear elevational view thereof,

FIG. 4 is a left side elevational view thereof,

See application file for complete search history.

FIG. 5 is a right side elevational view thereof,

(56) **References Cited**

FIG. 6 is a top plan view thereof; and

FIG. 7 is a bottom plan view to that shown; and,

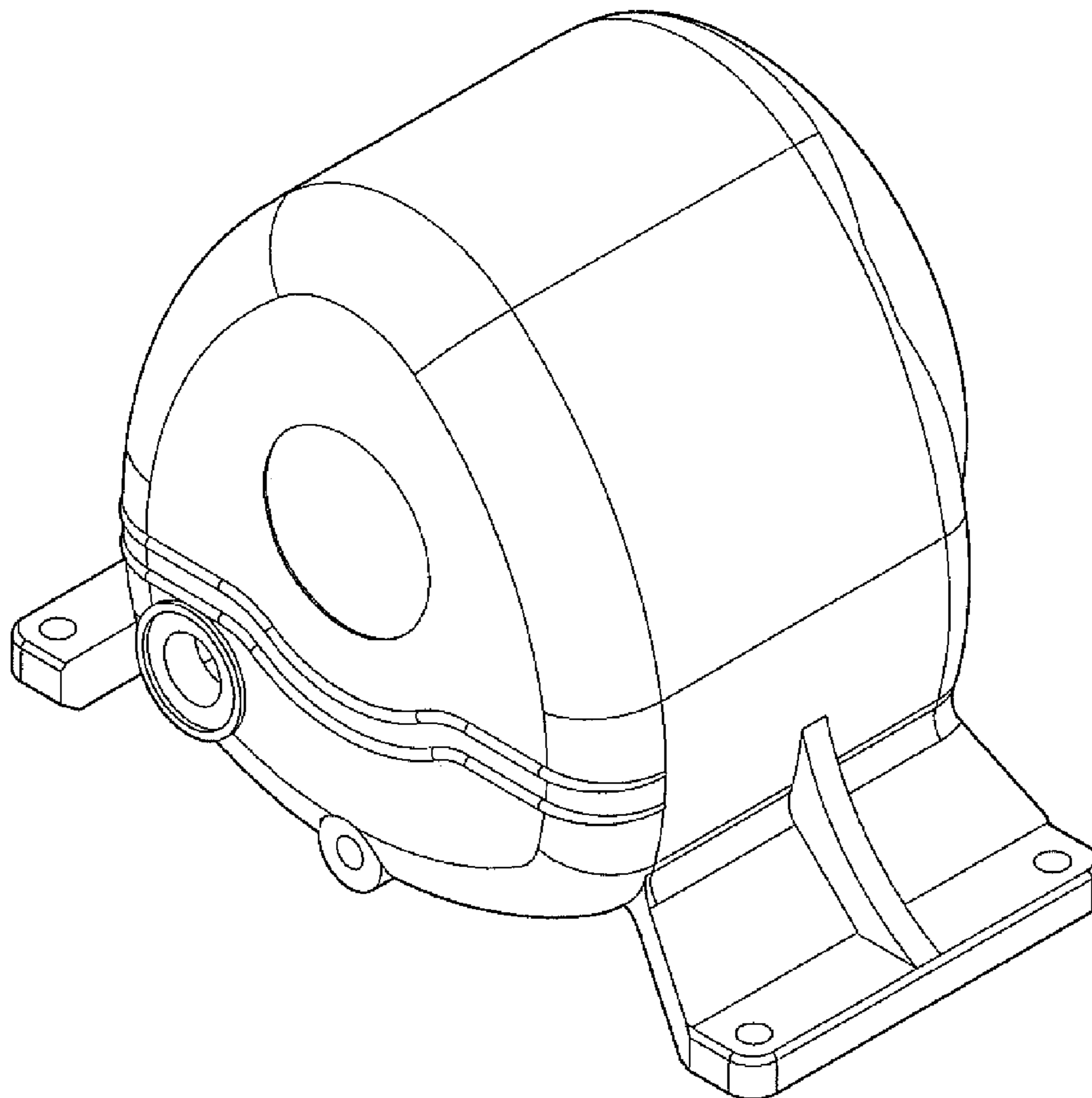
U.S. PATENT DOCUMENTS

FIG. 8 is a perspective view of an air compressor crank case, the broken lines shown are for illustrative purposes only and from no part of the claimed design.

D507,799 S *	7/2005	Chen	D15/7
D509,227 S *	9/2005	Buck	D15/9
D528,825 S *	9/2006	Ridout et al.	D6/468

* cited by examiner

1 Claim, 8 Drawing Sheets



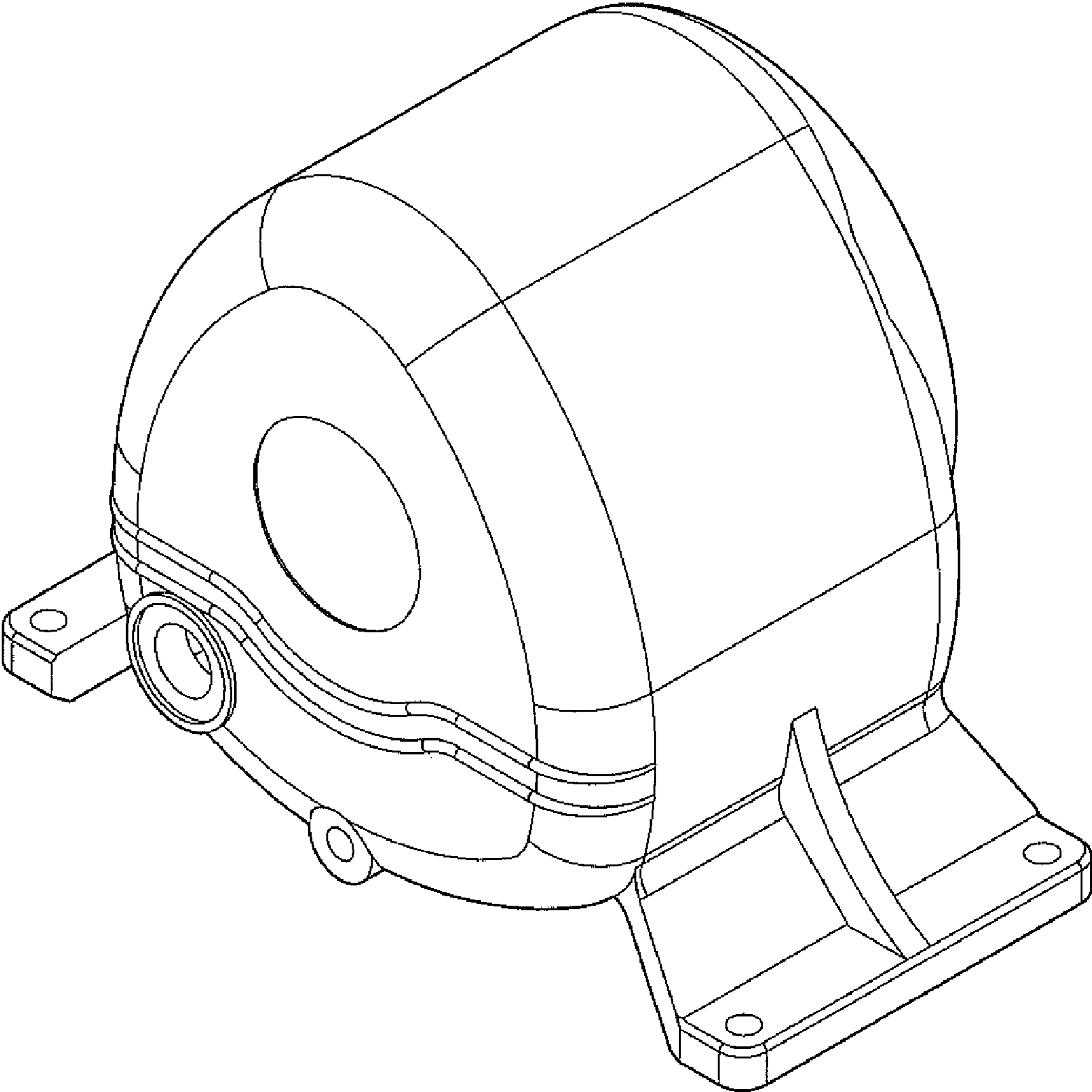


FIG. 1

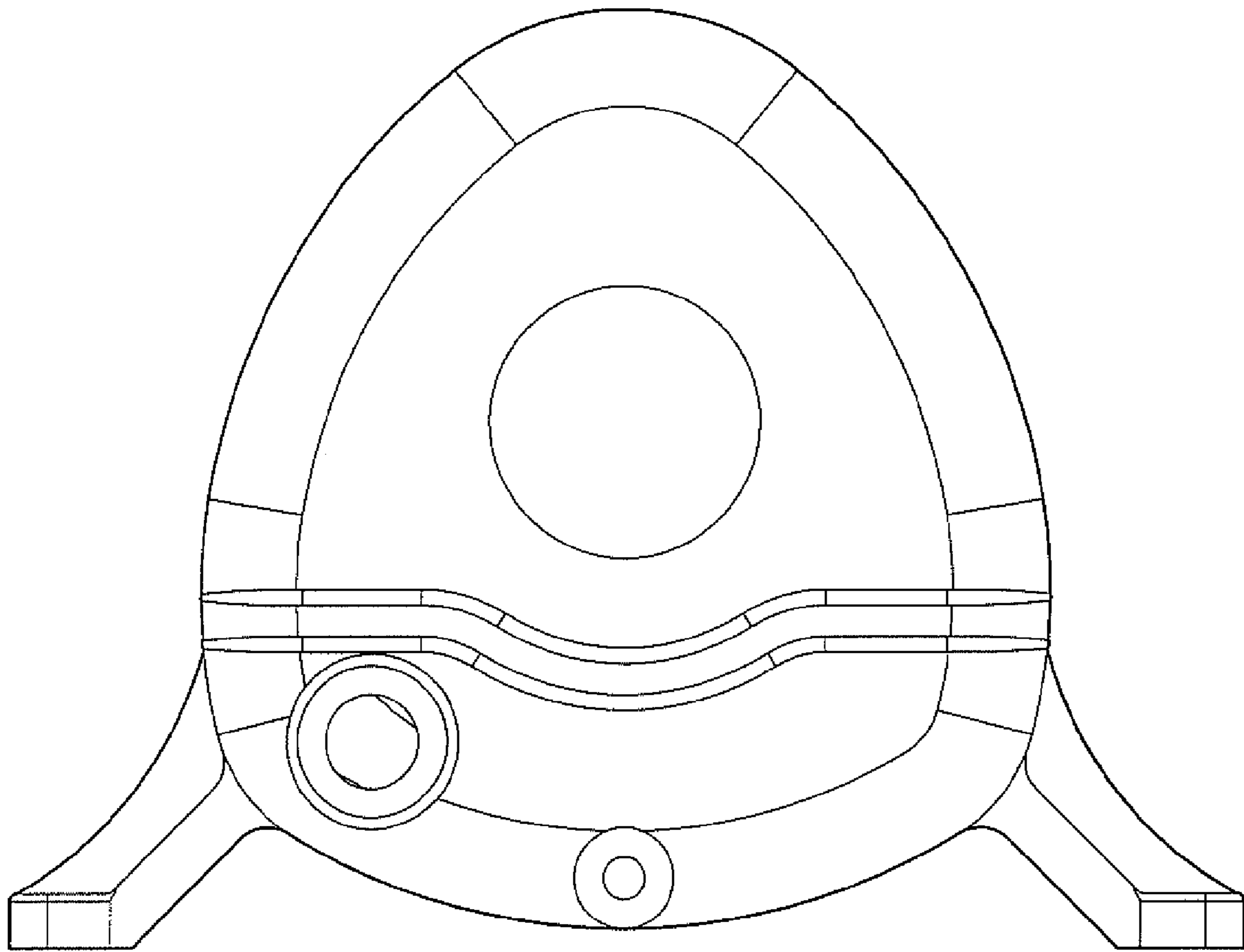


FIG. 2

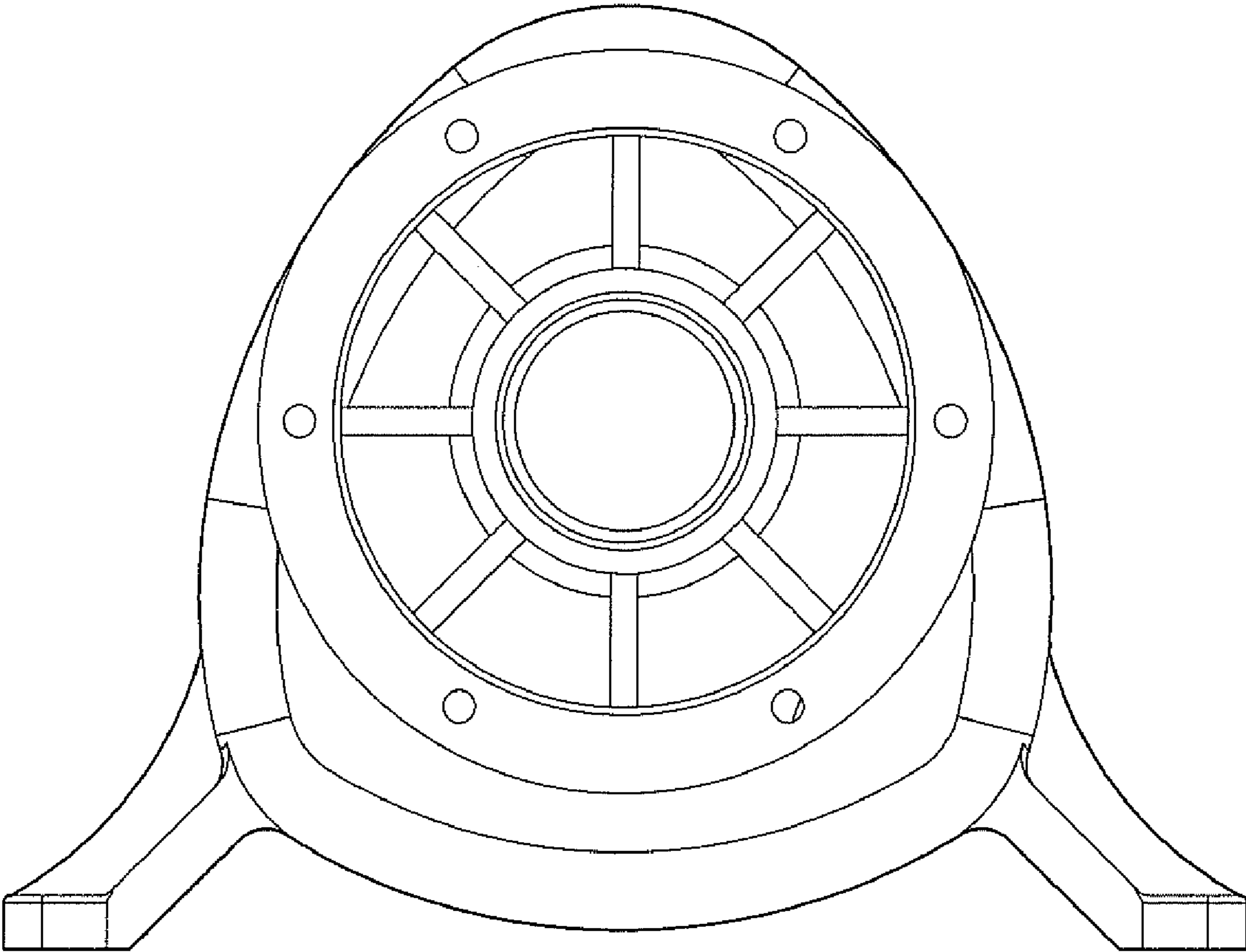


FIG. 3

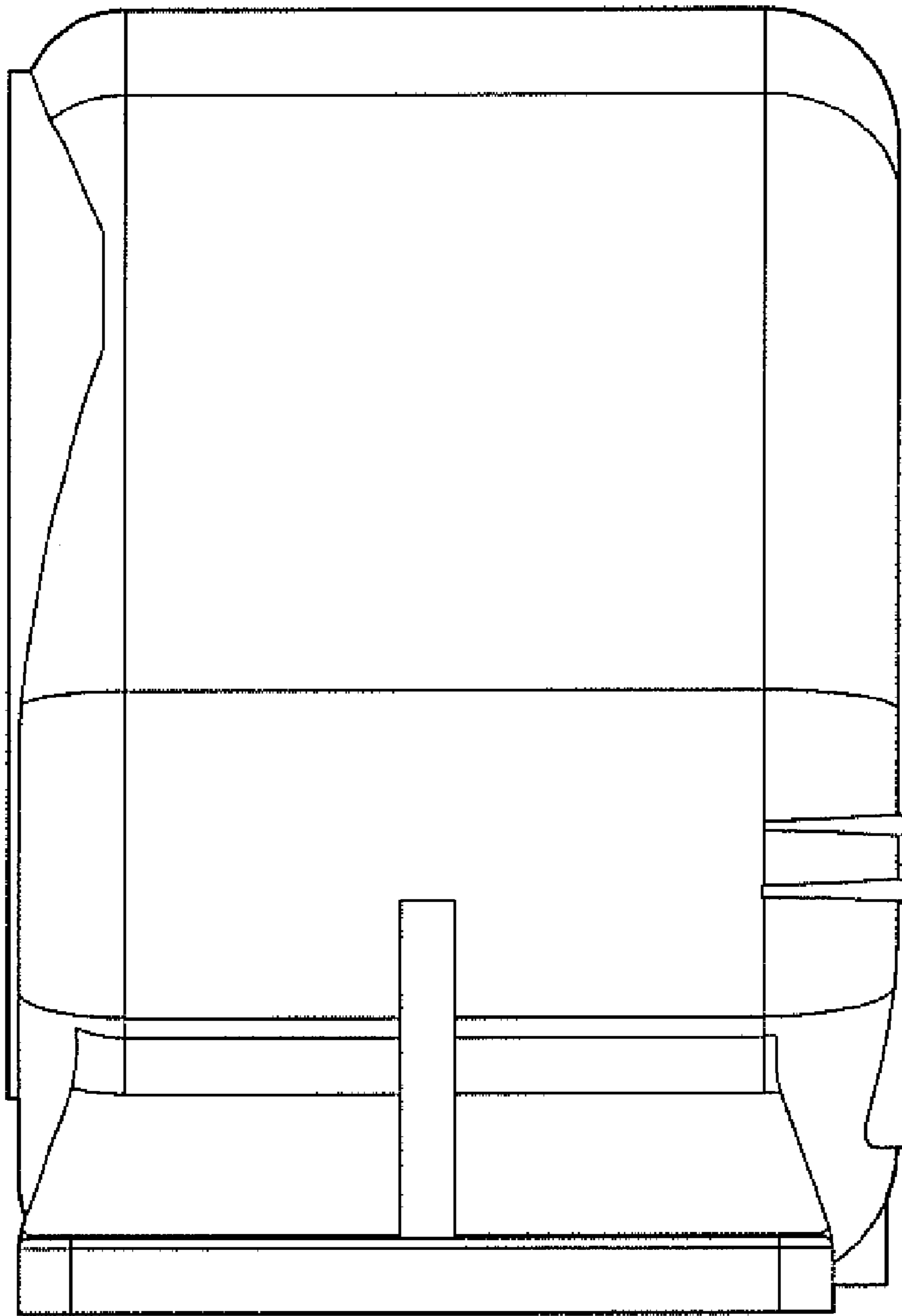


FIG. 4

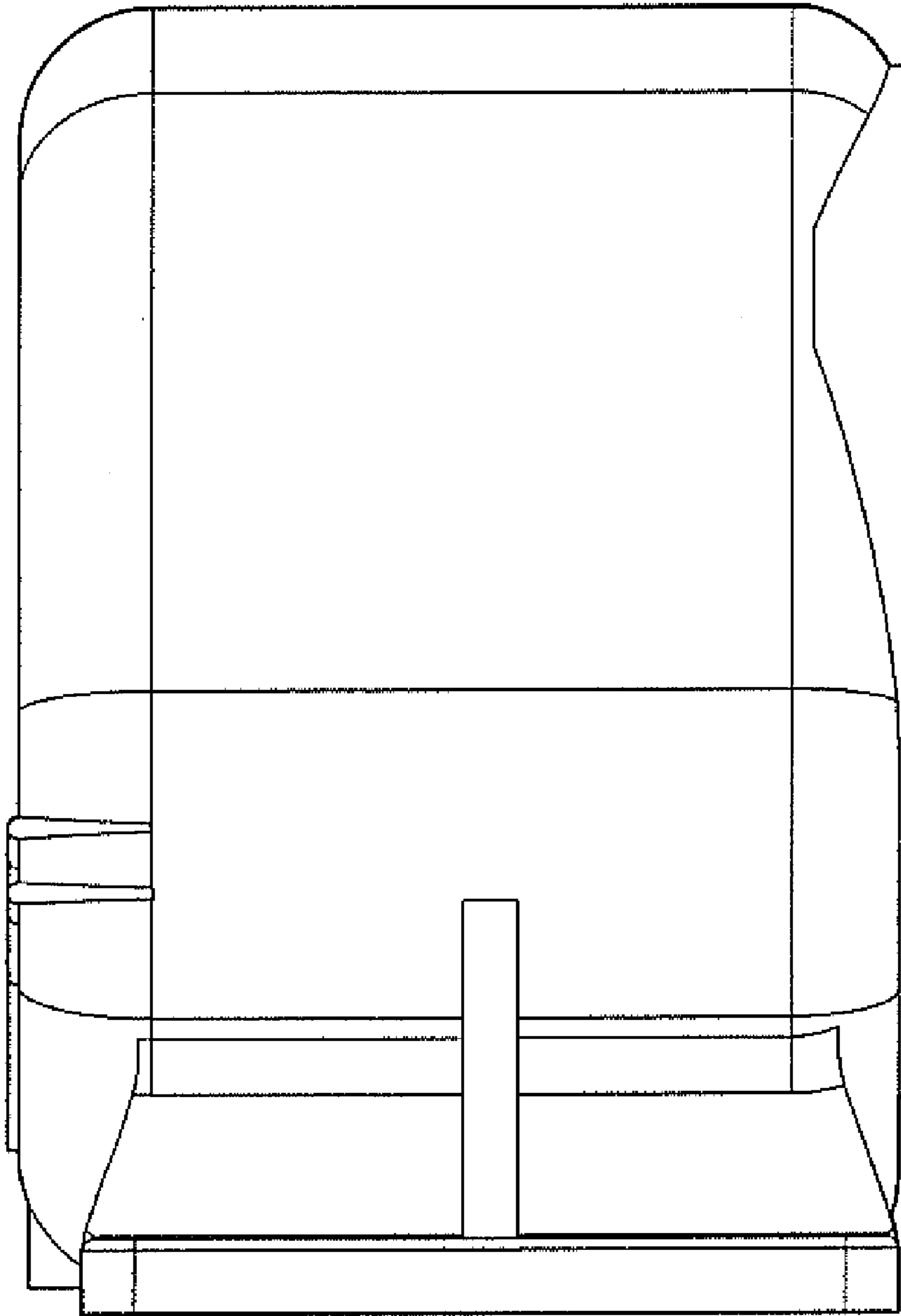


FIG. 5

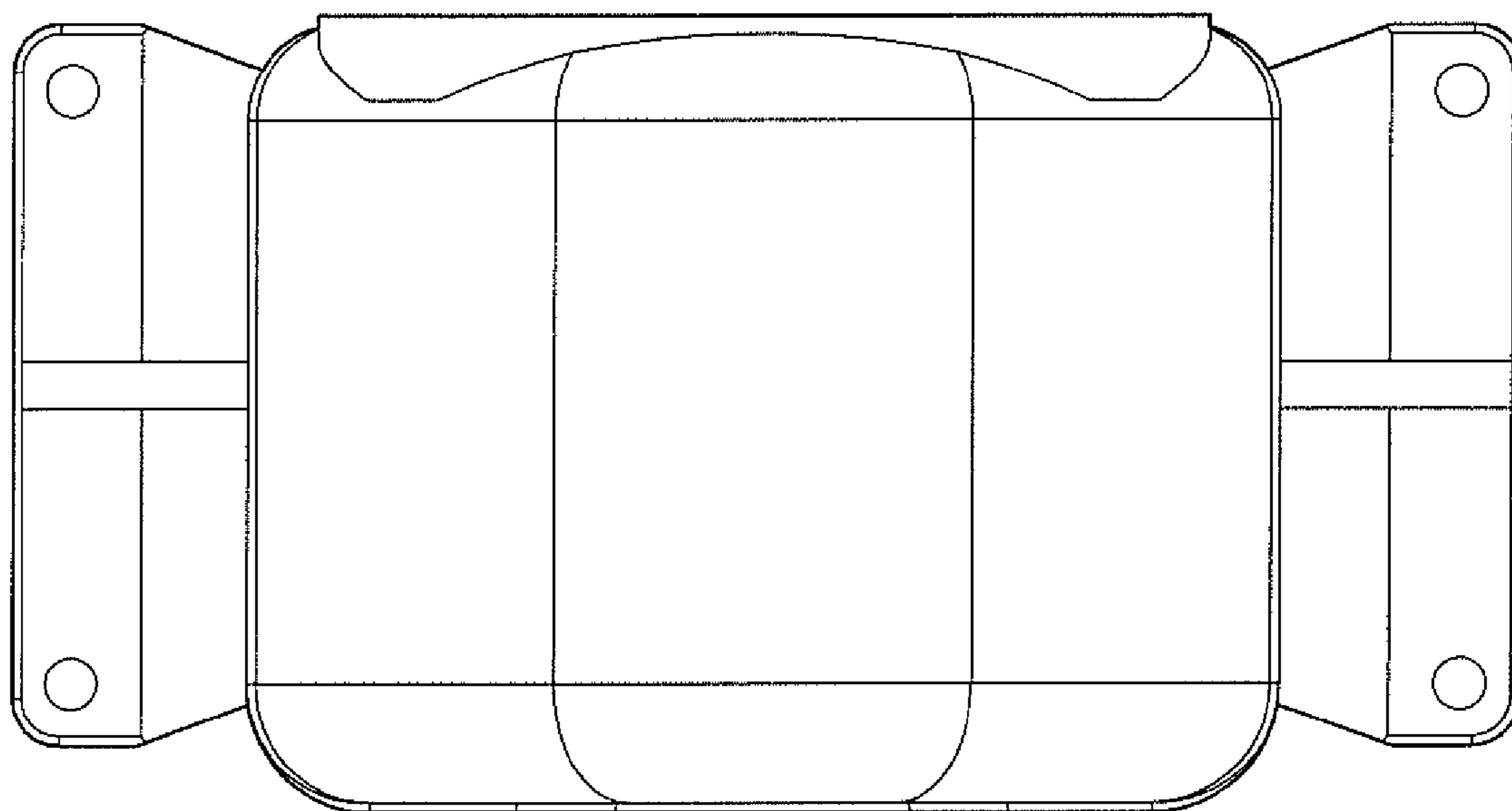


FIG. 6

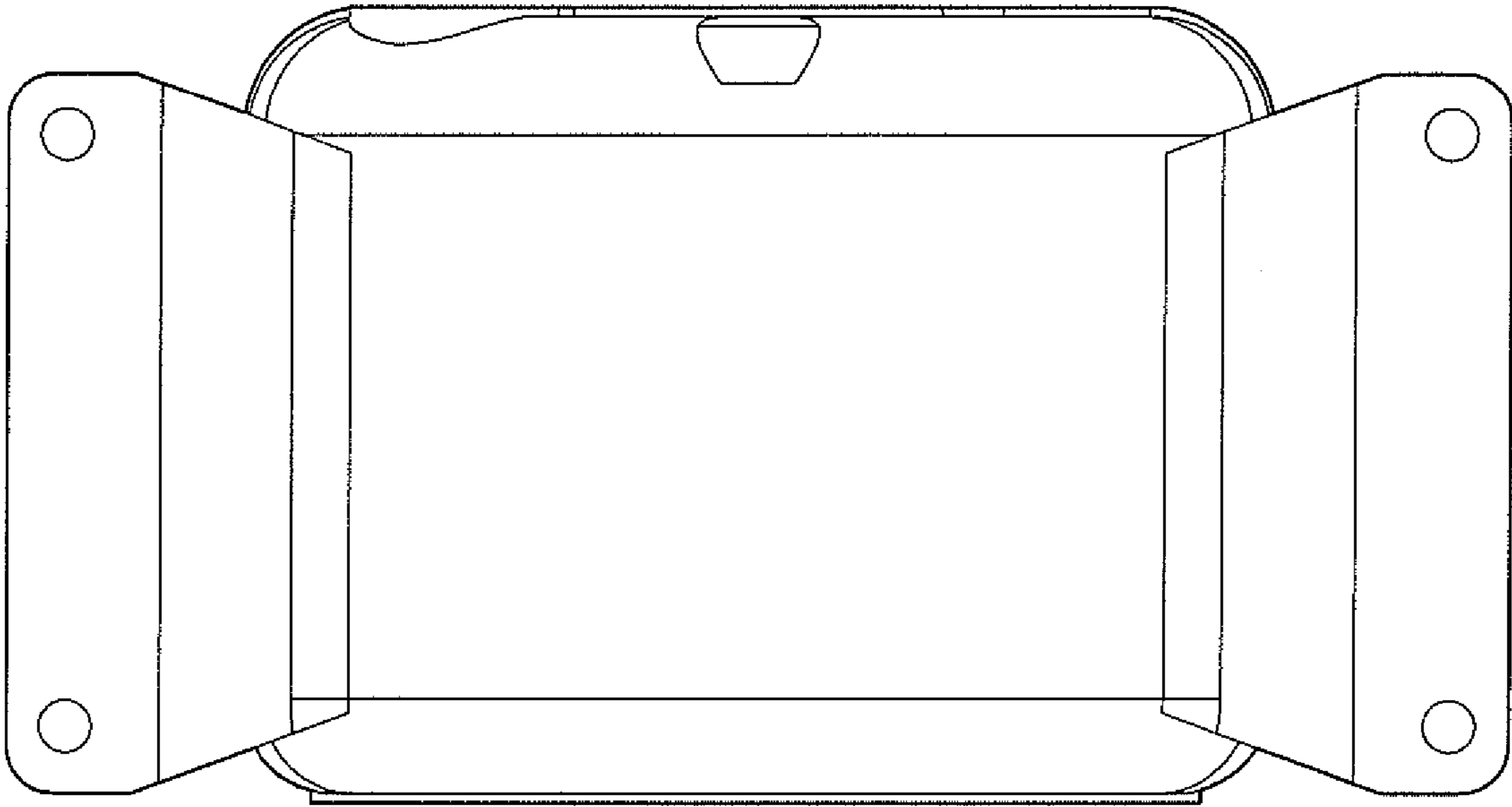


FIG. 7

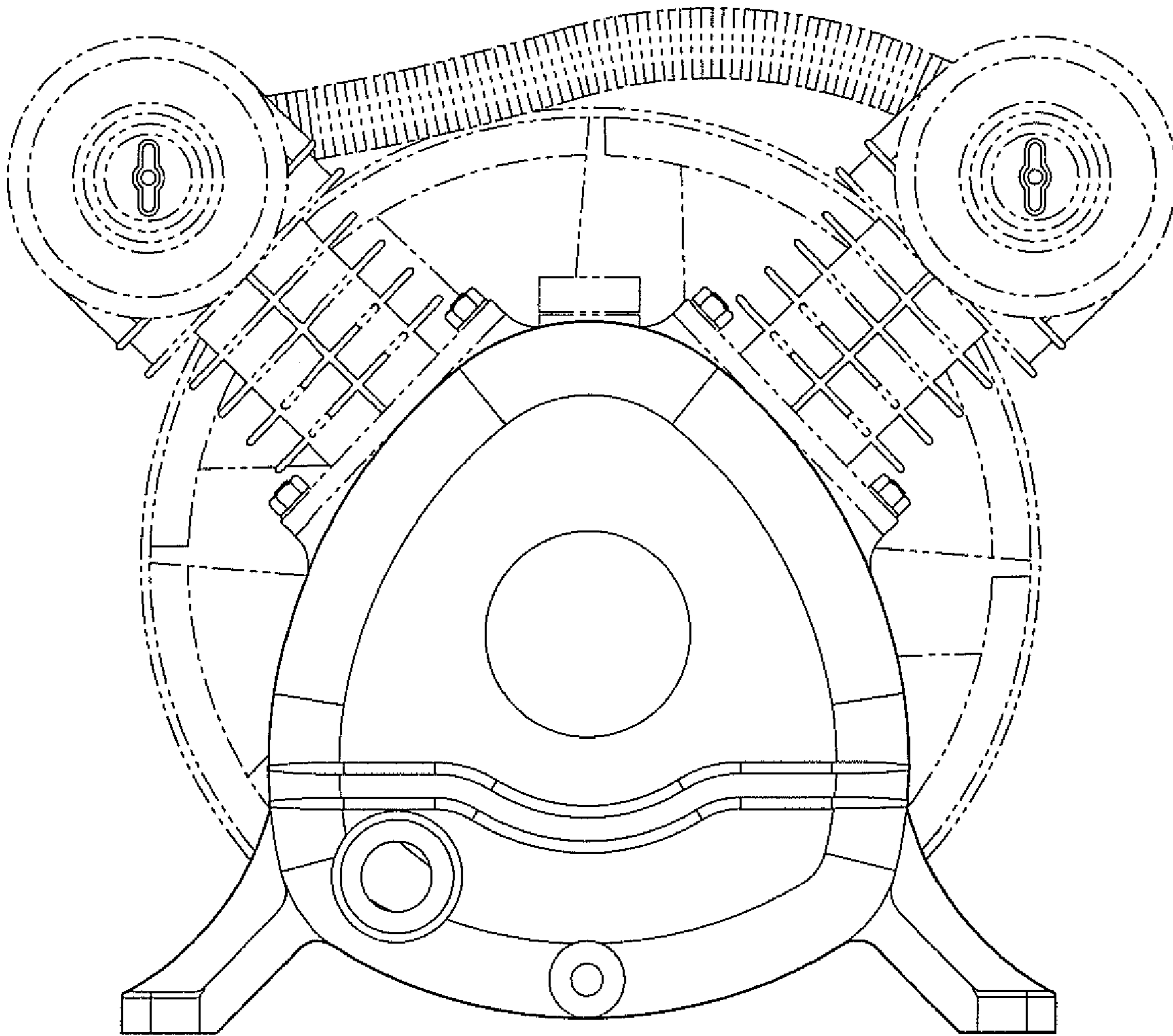


FIG. 8