



US00D559270S

(12) **United States Design Patent**
Hori et al.

(10) **Patent No.:** **US D559,270 S**
(45) **Date of Patent:** **** Jan. 8, 2008**

(54) **PUMP**

(75) Inventors: **Kenichi Hori**, Tokyo (JP); **Tanemichi Fukui**, Tokyo (JP); **Riichiro Hibiya**, Tokyo (JP); **Kensuke Yamada**, Tokyo (JP)

(73) Assignee: **Mitsumi Electric Co., Ltd.**, Tokyo (JP)

(**) Term: **14 Years**

(21) Appl. No.: **29/274,117**

(22) Filed: **Mar. 29, 2007**

(30) **Foreign Application Priority Data**

Nov. 10, 2006 (JP) 2006-030885

(51) **LOC (8) Cl.** **15-02**

(52) **U.S. Cl.** **D15/7**

(58) **Field of Classification Search** D15/7-9;
D23/232, 231; 417/359, 415-416, 410.1,
417/321, 265, 405

See application file for complete search history.

(56) **References Cited**

U.S. PATENT DOCUMENTS

D505,961 S * 6/2005 Chu D15/9
D506,763 S * 6/2005 Chu D15/9

D540,348 S * 4/2007 Chu D15/7
D540,351 S * 4/2007 Chu D15/9
D541,820 S * 5/2007 Chu D15/9
D541,821 S * 5/2007 Chu D15/9

* cited by examiner

Primary Examiner—Ralf Seifert

(74) *Attorney, Agent, or Firm*—Sughrue Mion, PLLC

(57) **CLAIM**

The ornamental design for a pump, as shown and described.

DESCRIPTION

FIG. 1 is a perspective view of the top, front and right side of a pump showing our new design;

FIG. 2 is a front elevational view thereof;

FIG. 3 is a rear elevational view thereof;

FIG. 4 is a right side elevational view thereof;

FIG. 5 is a left side elevational view thereof;

FIG. 6 is a top/plan view thereof;

FIG. 7 is a bottom plan view thereof; and,

FIG. 8 is a bottom perspective view thereof.

The portions shown in broken lines are for illustrative purposes only and form no part of the claimed design.

1 Claim, 7 Drawing Sheets

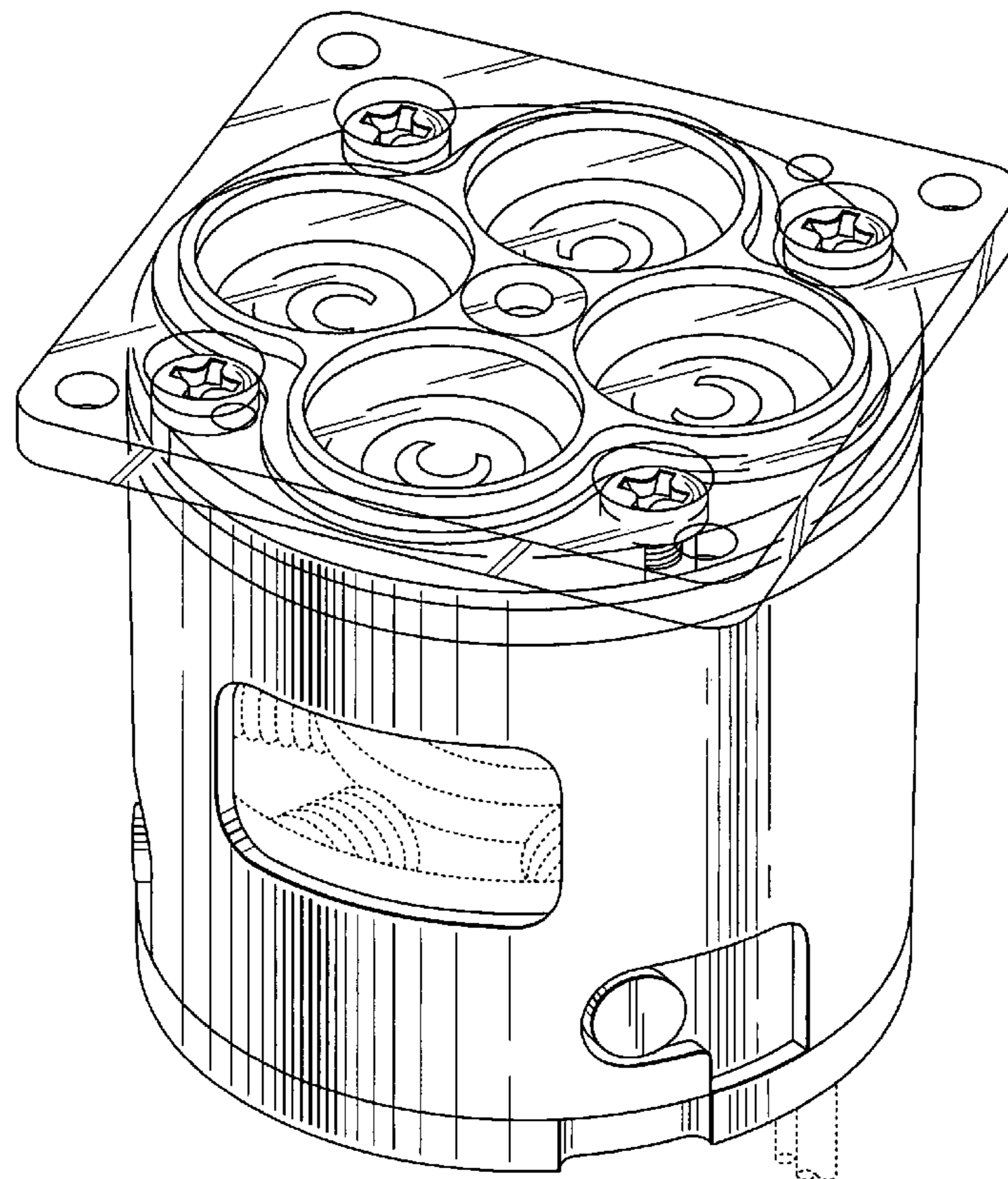


FIG. 1

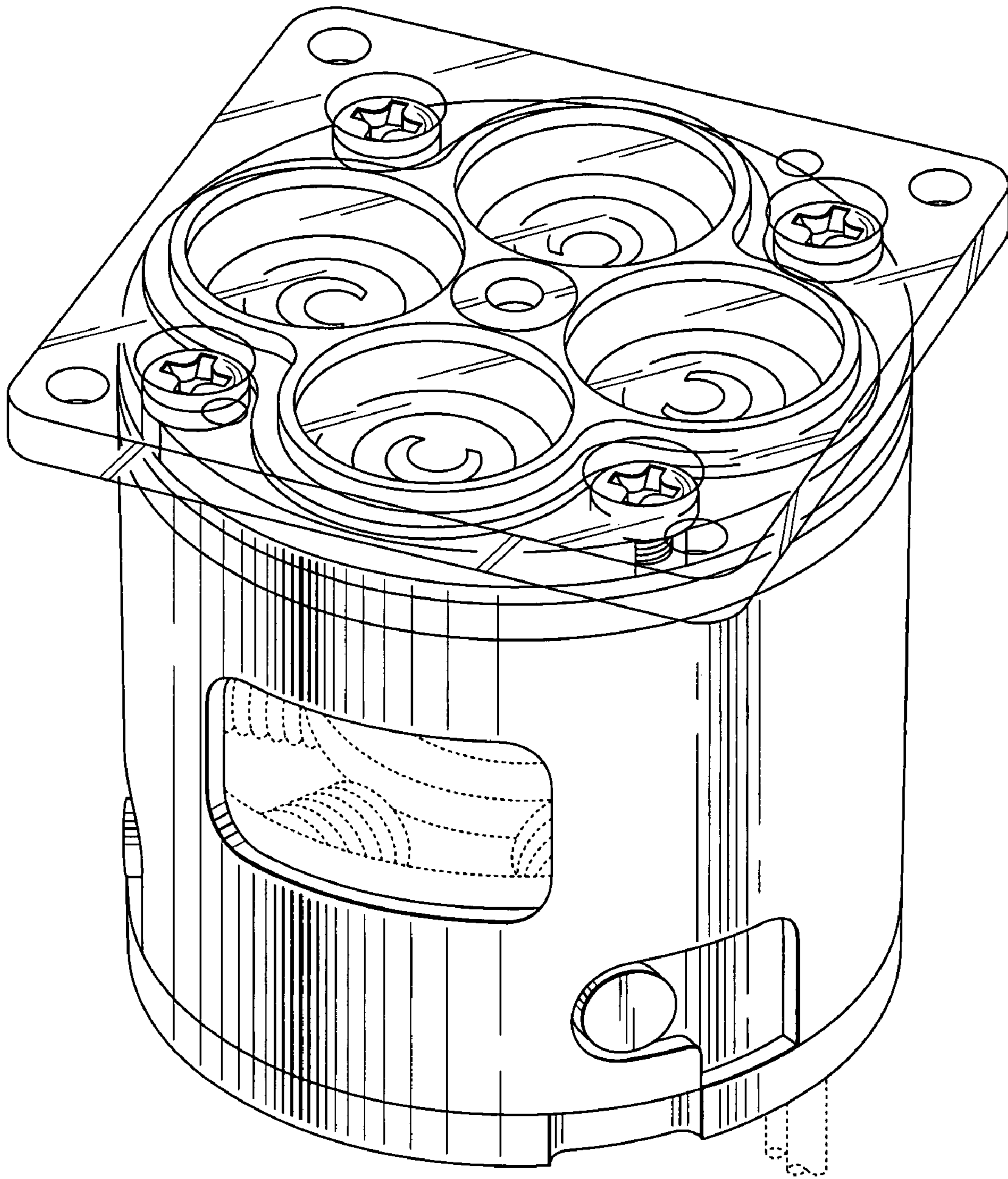


FIG.2

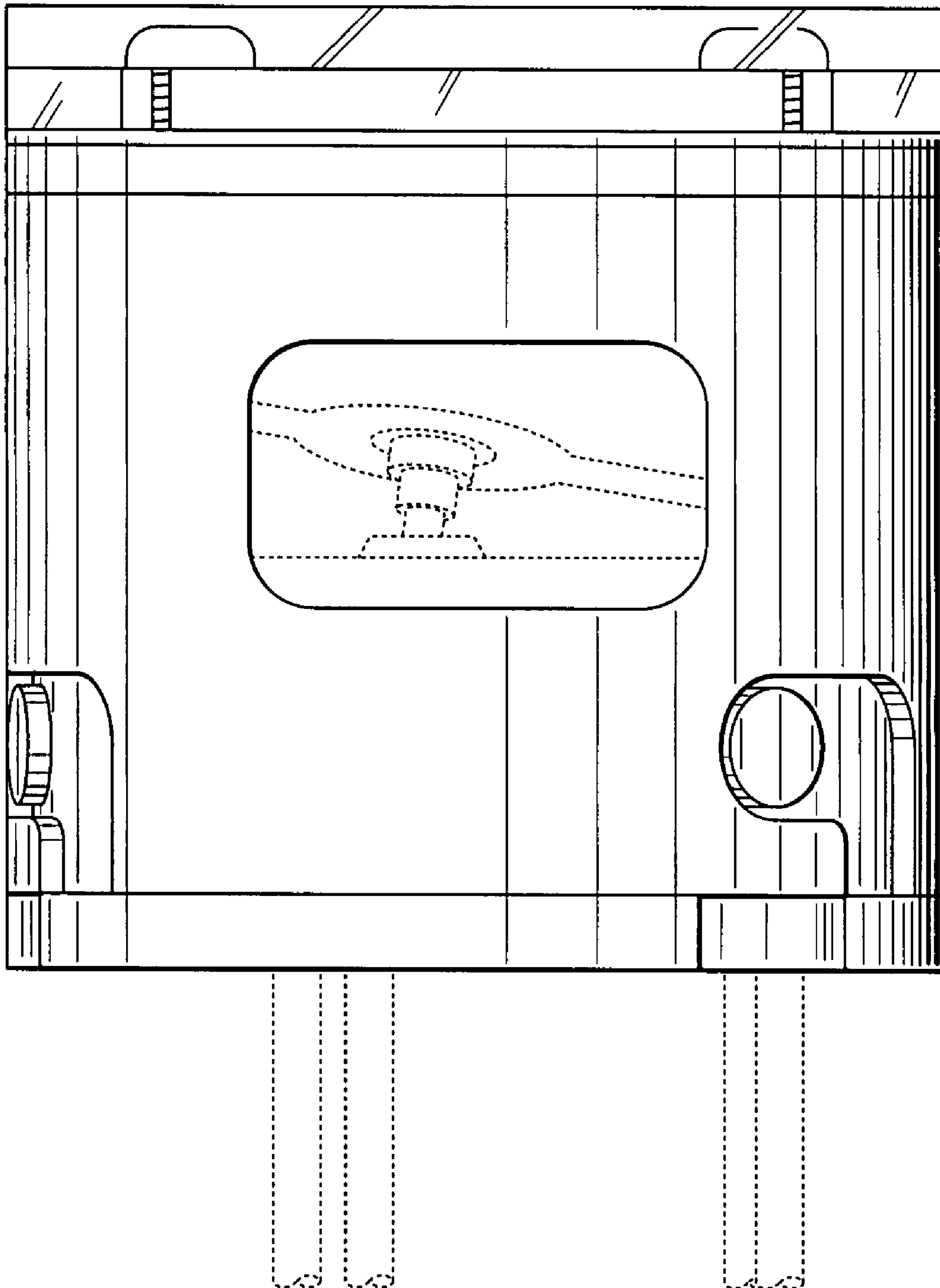


FIG.3

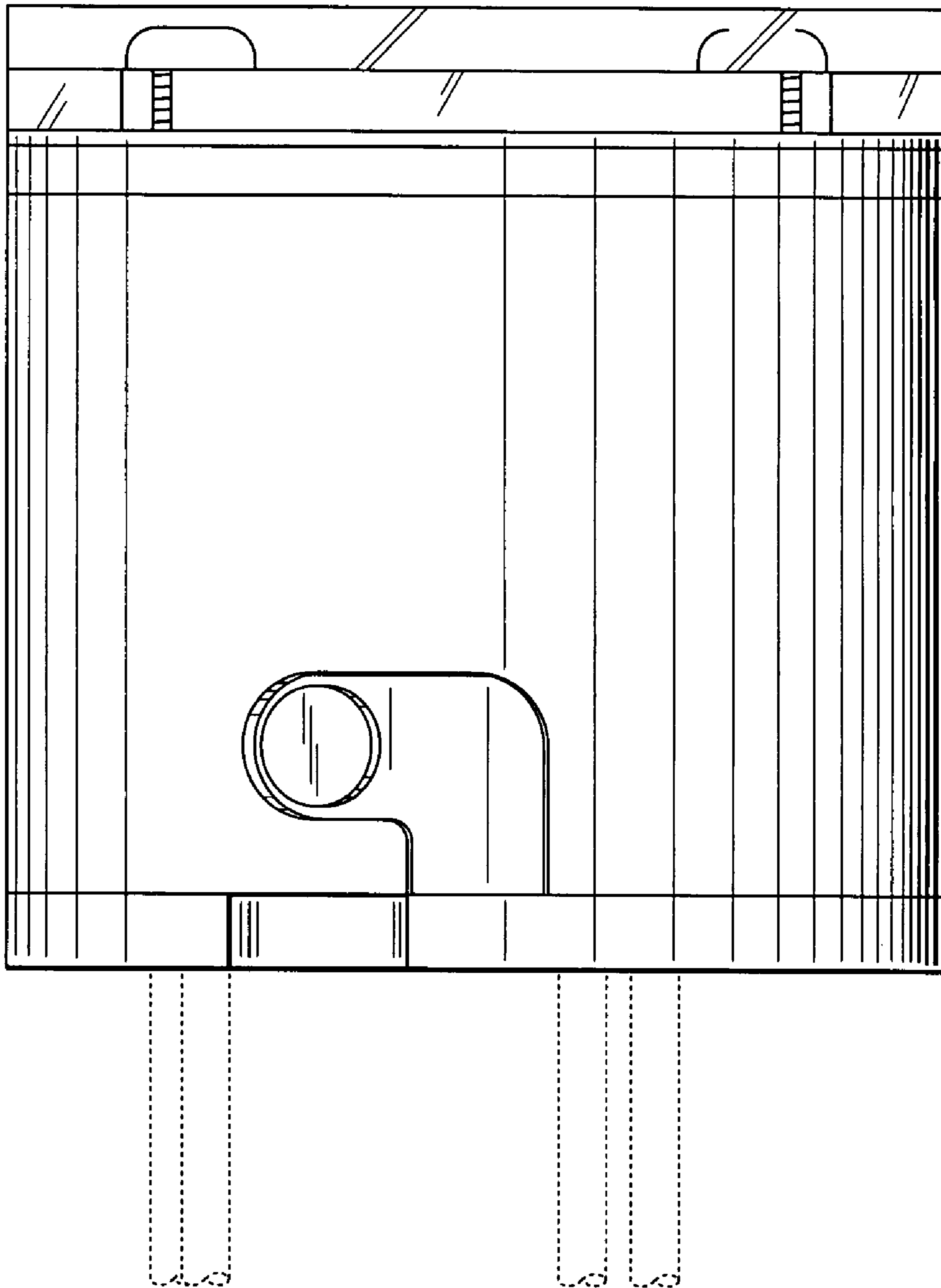


FIG.4

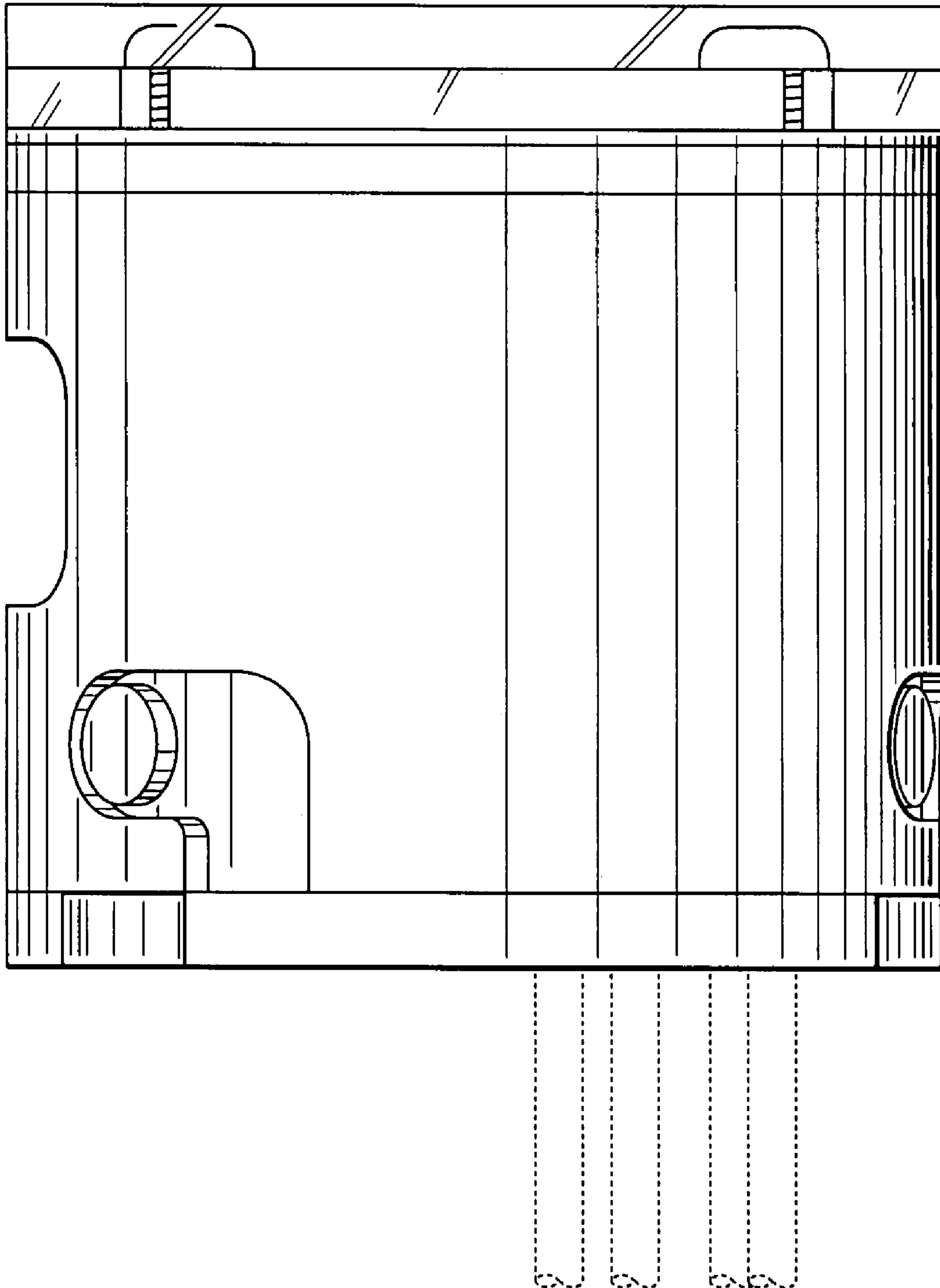


FIG.5

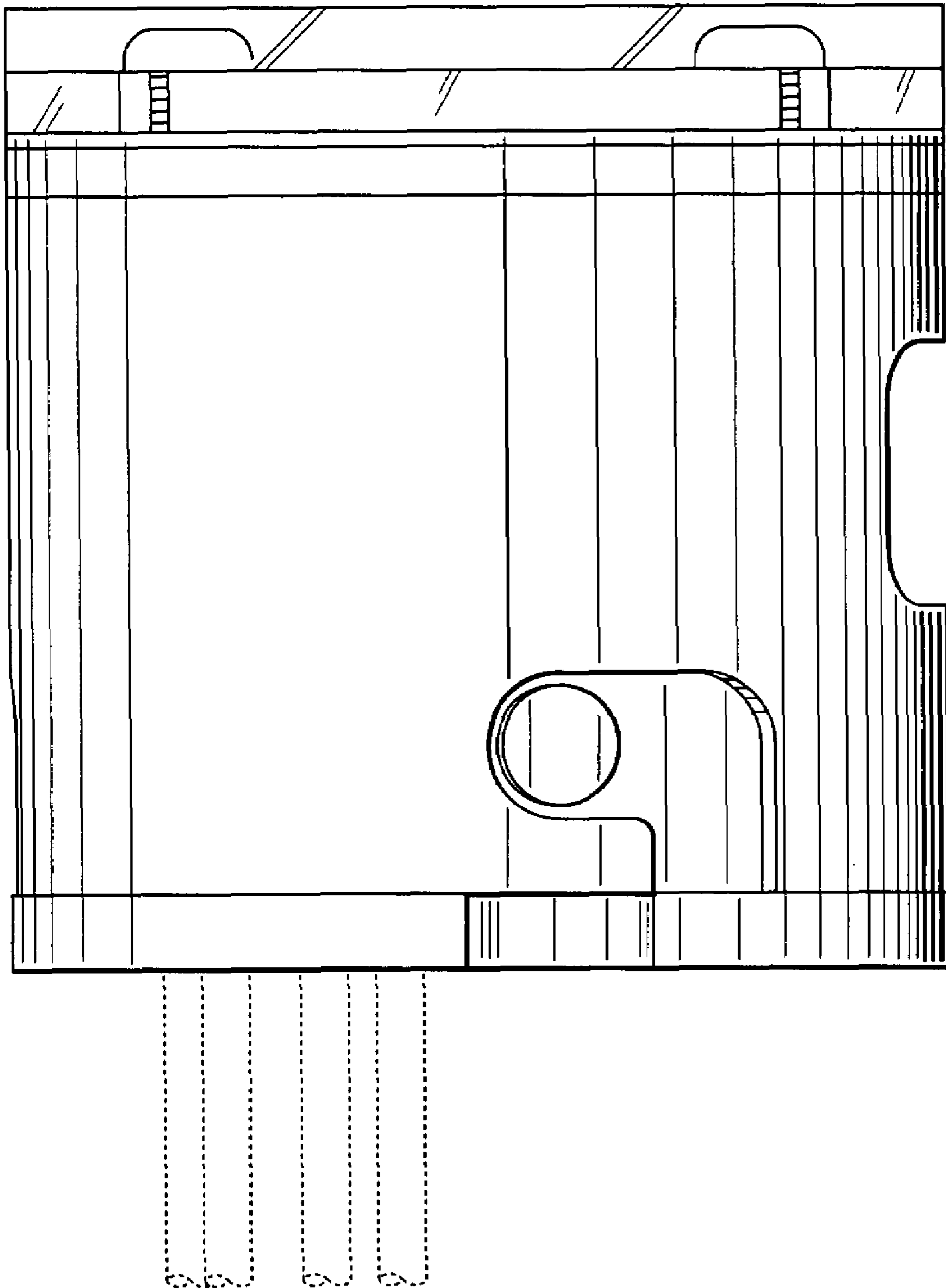


FIG.6

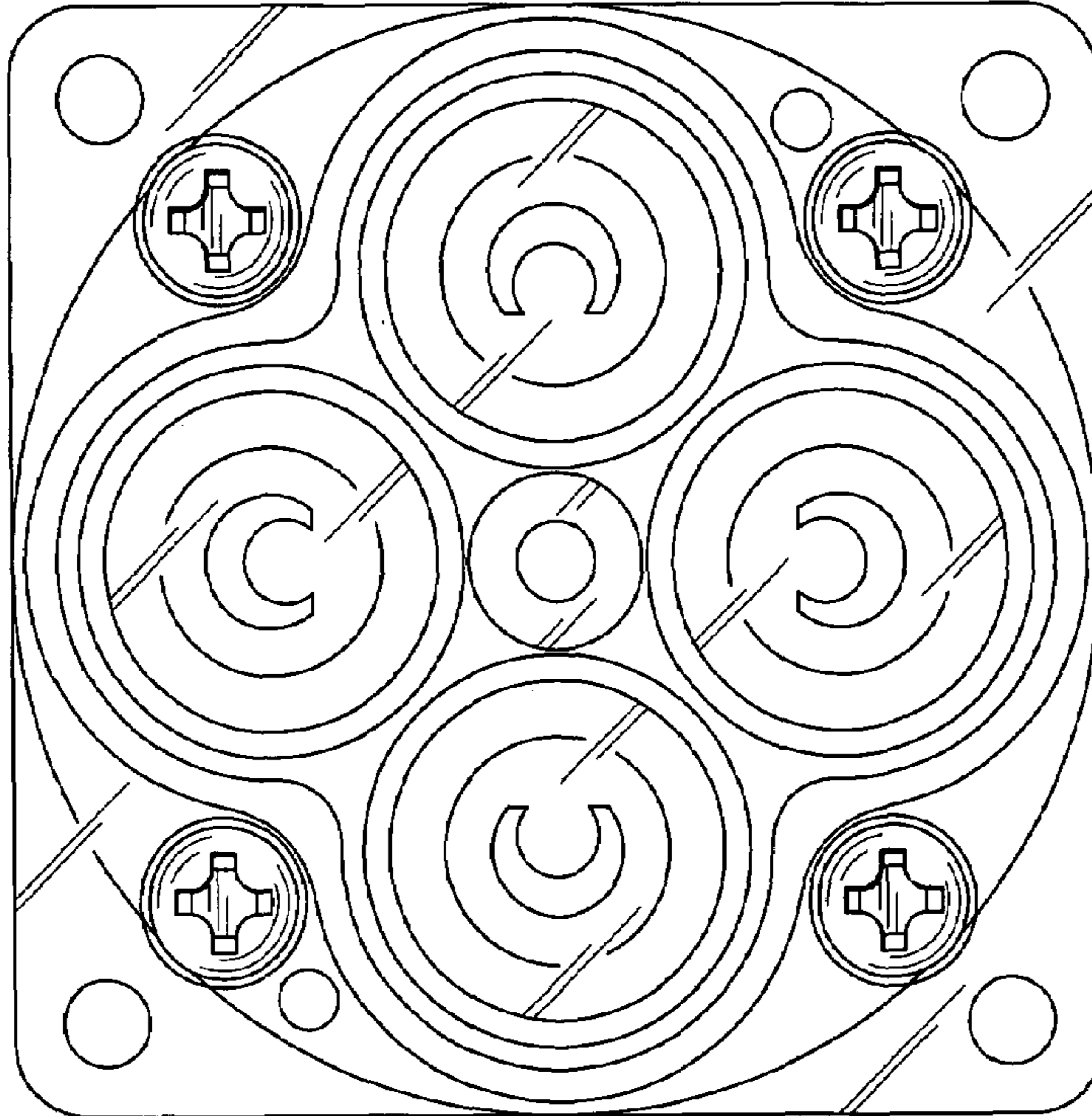


FIG.7

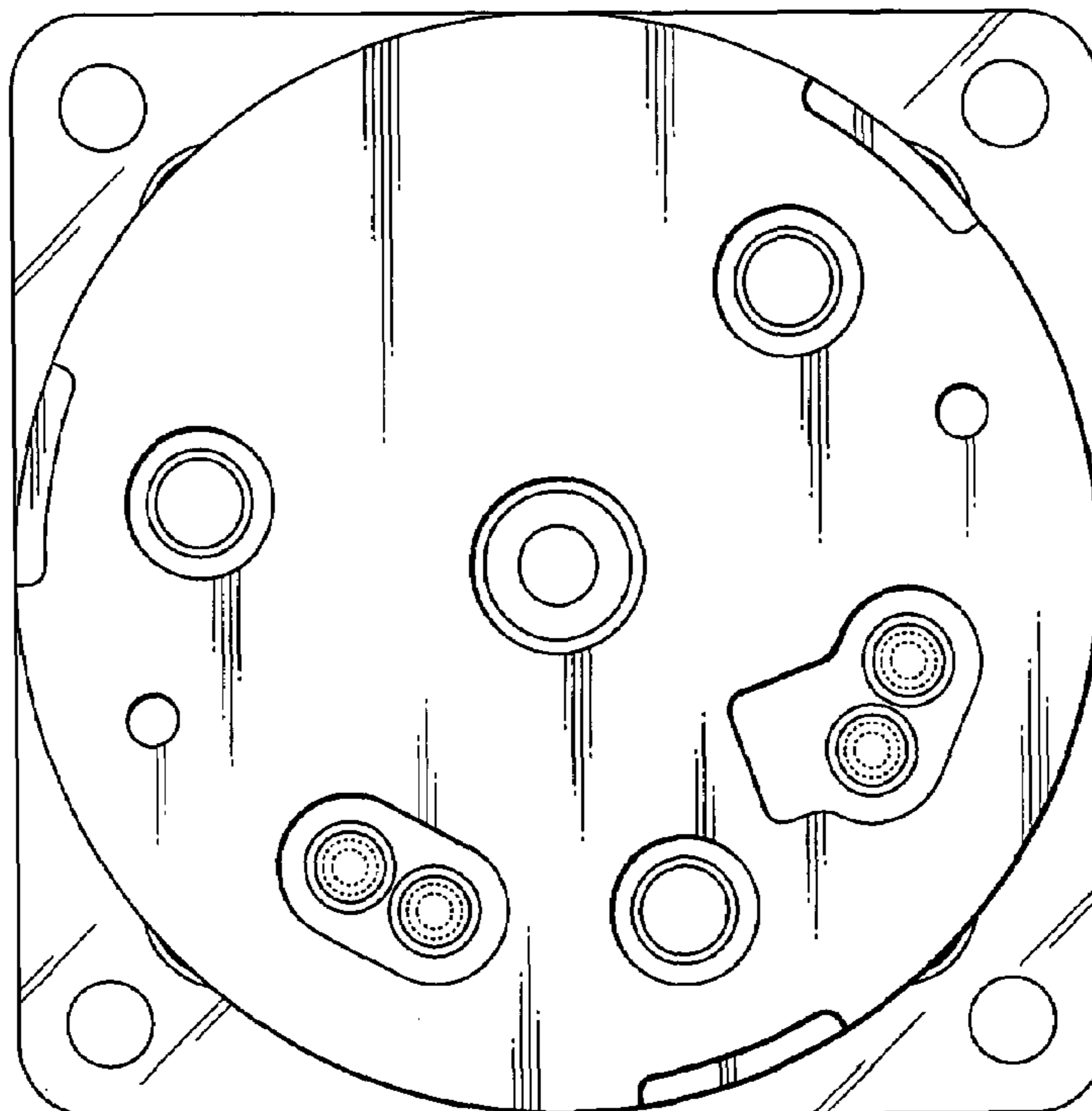


FIG.8

