



US00D559268S

(12) **United States Design Patent**
Yu et al.

(10) **Patent No.:** **US D559,268 S**
(45) **Date of Patent:** **** Jan. 8, 2008**

(54) **MULTIMEDIA PLAYER**

(75) Inventors: **Tzu-Cheng Yu**, Santa Clara, CA (US);
Yin- Li Chang, Taipei Hsien (TW);
Yu-Chuan Liang, Taipei Hsien (TW);
Hong Xiao, Shenzhen (CN)

(73) Assignees: **ShenZhen FuTaiHong Precision Industry Co., Ltd.**, Shenzhen, Guangdong Province (CN); **Sutech Trading Limited**, Tortola (VG)

(**) Term: **14 Years**

(21) Appl. No.: **29/275,539**

(22) Filed: **Dec. 29, 2006**

(30) **Foreign Application Priority Data**

Dec. 15, 2006 (CN) 2006 3 0155163

(51) **LOC (8) Cl.** **14-03**

(52) **U.S. Cl.** **D14/496**

(58) **Field of Classification Search** D14/496,
D14/401, 435, 474, 483, 217, 137, 138, 160,
D14/169; 345/156, 169, 173-179, 905; 455/11.1,
455/7, 73, 344-351, 93-95; 370/342-344;
369/1, 2, 6, 12; 463/43-47; 273/48 B
See application file for complete search history.

(56) **References Cited**

U.S. PATENT DOCUMENTS

6,254,477 B1 * 7/2001 Sasaki et al. 463/1
D446,203 S * 8/2001 Arpe D14/156

D452,250 S * 12/2001 Chan D14/496
D464,941 S * 10/2002 Latto et al. D14/156
6,565,444 B2 * 5/2003 Nagata et al. 463/46
D486,813 S * 2/2004 Chun D14/156
6,920,344 B2 * 7/2005 Jang 455/575.5
6,955,606 B2 * 10/2005 Taho et al. 463/43
D513,267 S * 12/2005 Chen D14/496
D515,546 S * 2/2006 Mu D14/156
7,155,604 B2 * 12/2006 Kawai 713/2
D539,814 S * 4/2007 Andre et al. D14/496

* cited by examiner

Primary Examiner—Prabhakar Deshmukh
(74) *Attorney, Agent, or Firm*—Wei Te Chung

(57) **CLAIM**

The ornamental design for a multimedia player, as shown and described.

DESCRIPTION

FIG. 1 is a perspective view of a multimedia player showing our new design;

FIG. 2 is a front elevational view thereof;

FIG. 3 is a rear elevational view thereof;

FIG. 4 is a left side elevational view thereof;

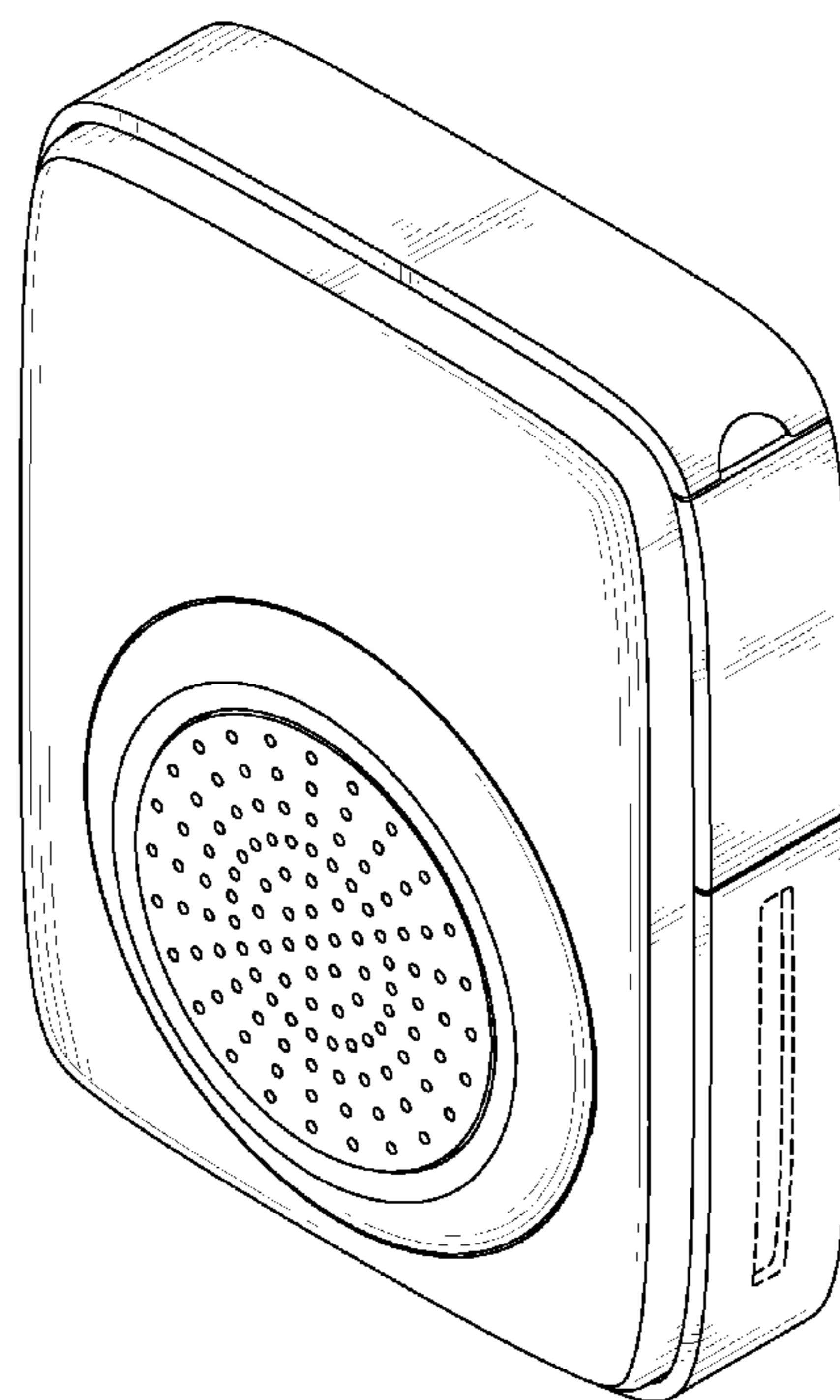
FIG. 5 is a right side elevational view thereof;

FIG. 6 is a top plan view thereof; and,

FIG. 7 is a bottom plan view thereof.

The broken lines are illustrative purpose only and form no part of the claimed design.

1 Claim, 7 Drawing Sheets



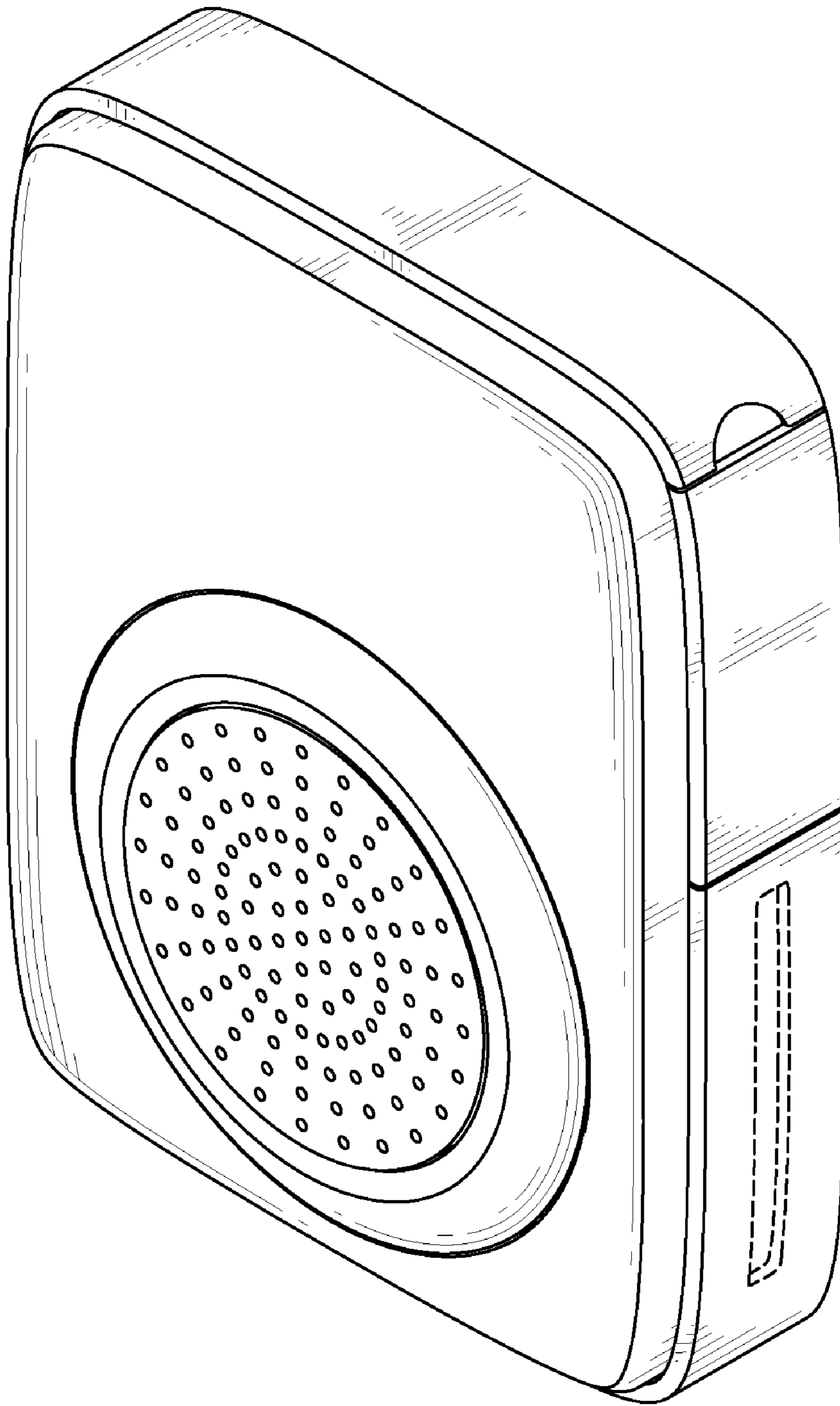


FIG. 1

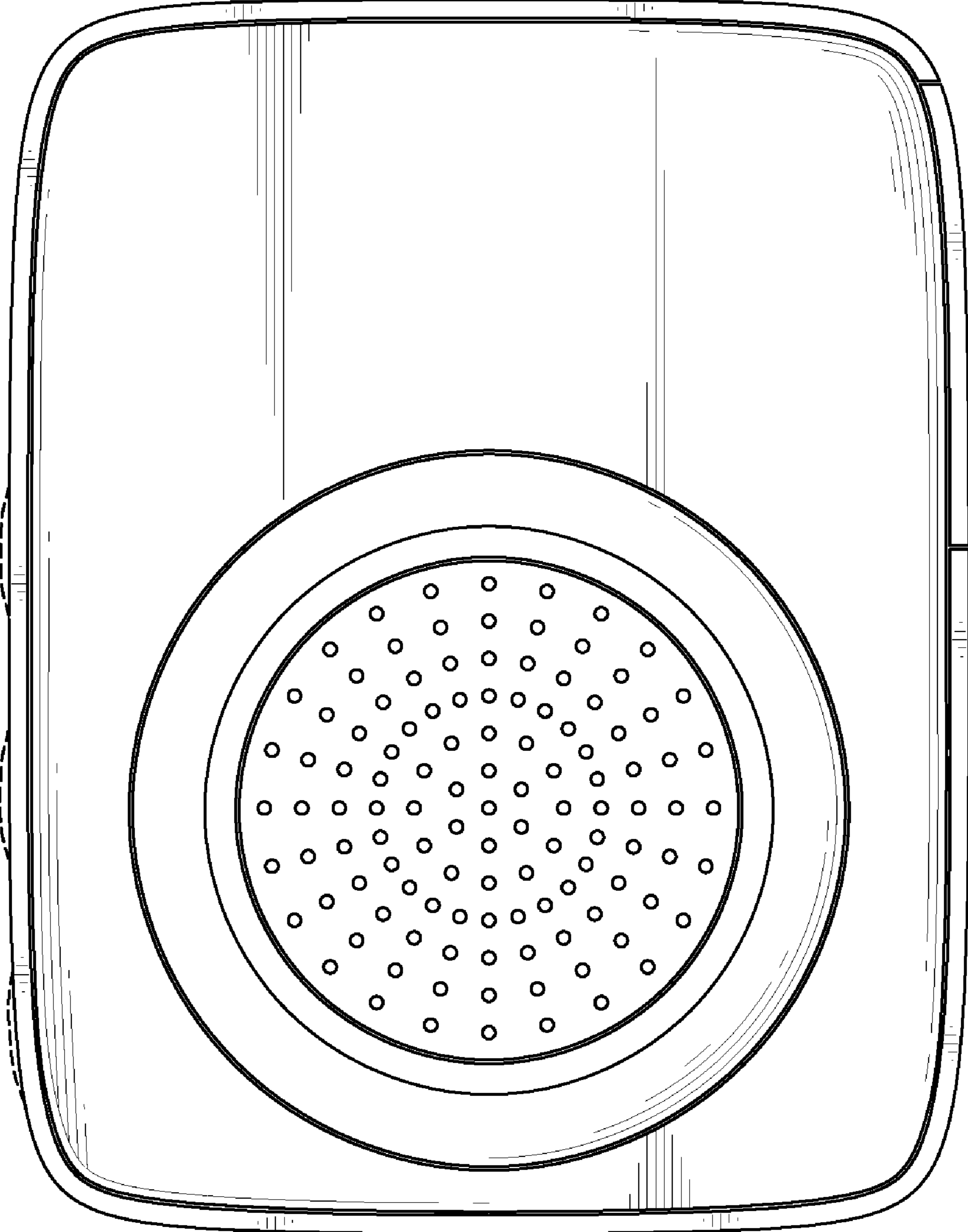


FIG. 2

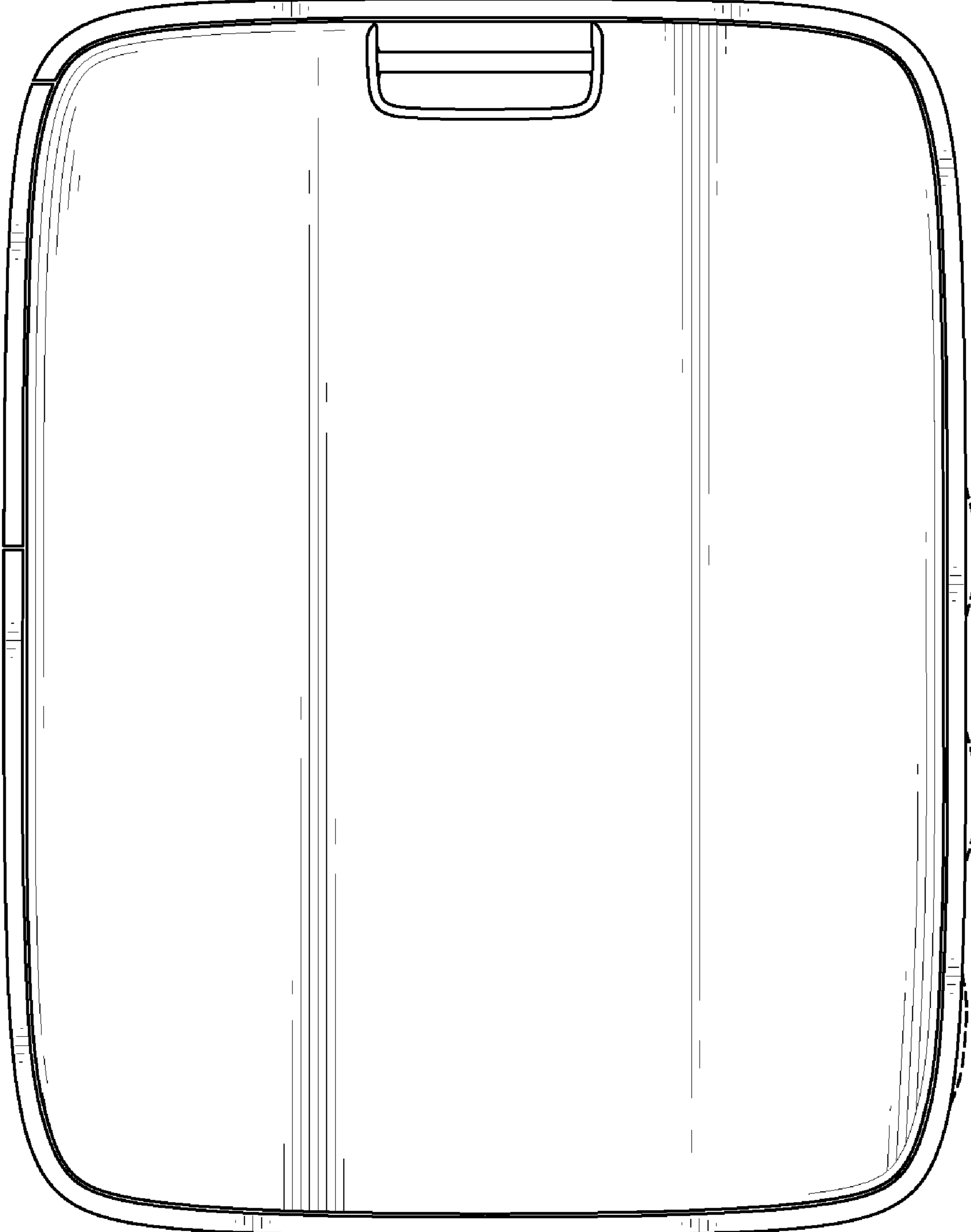


FIG. 3

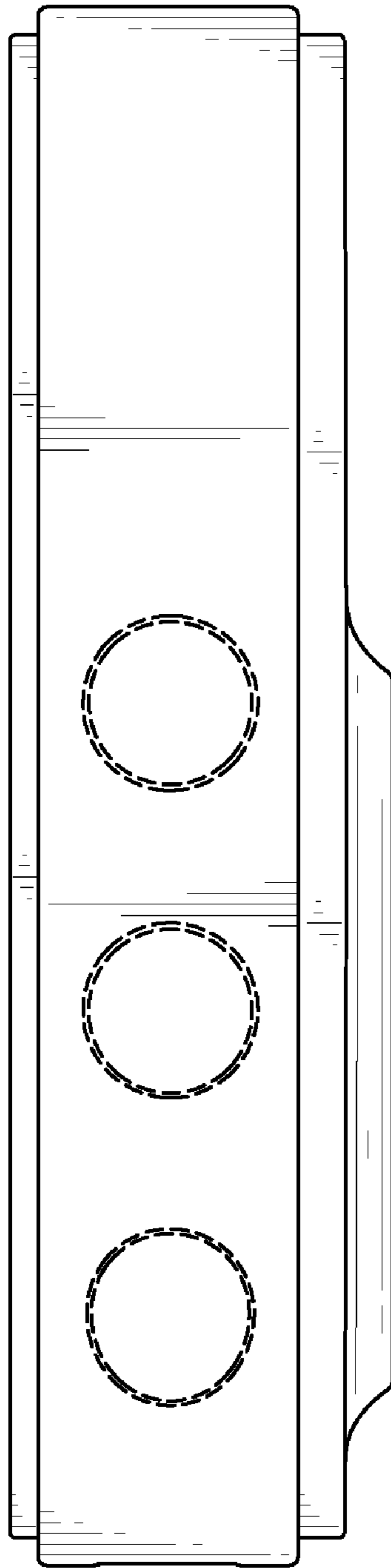


FIG. 4

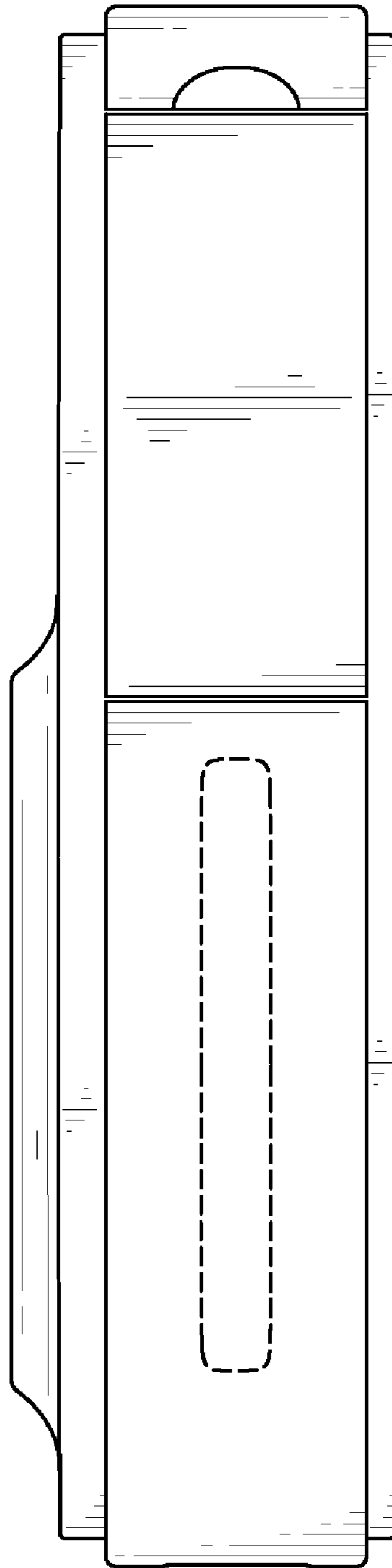


FIG. 5

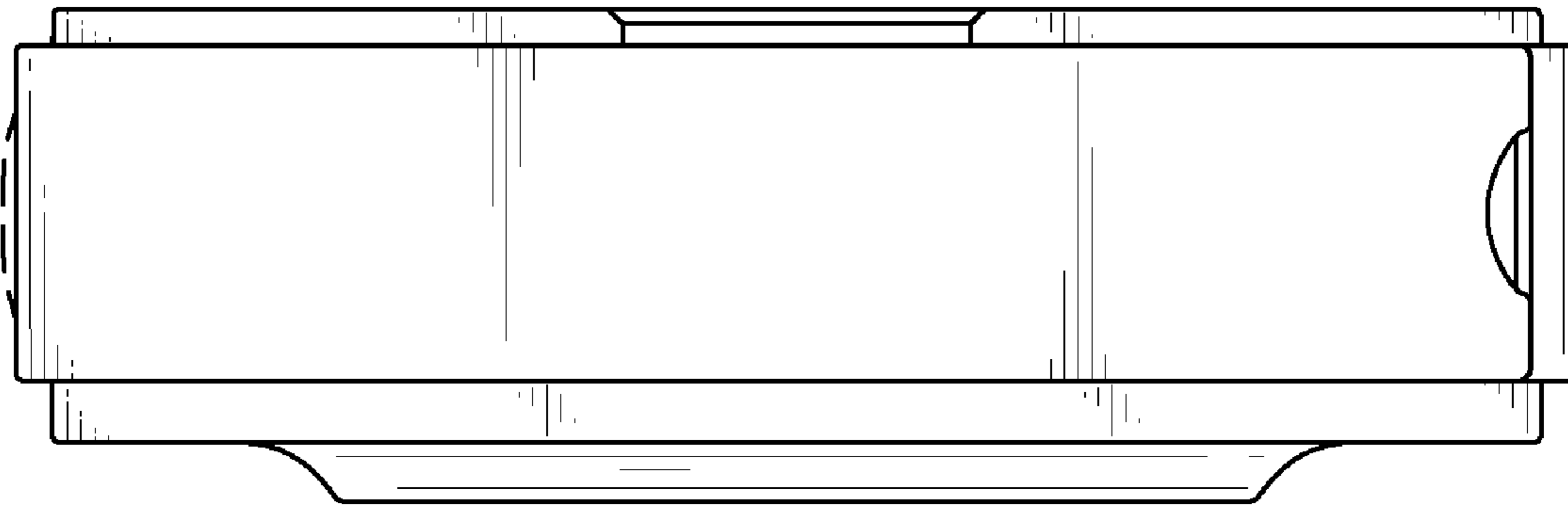


FIG. 6

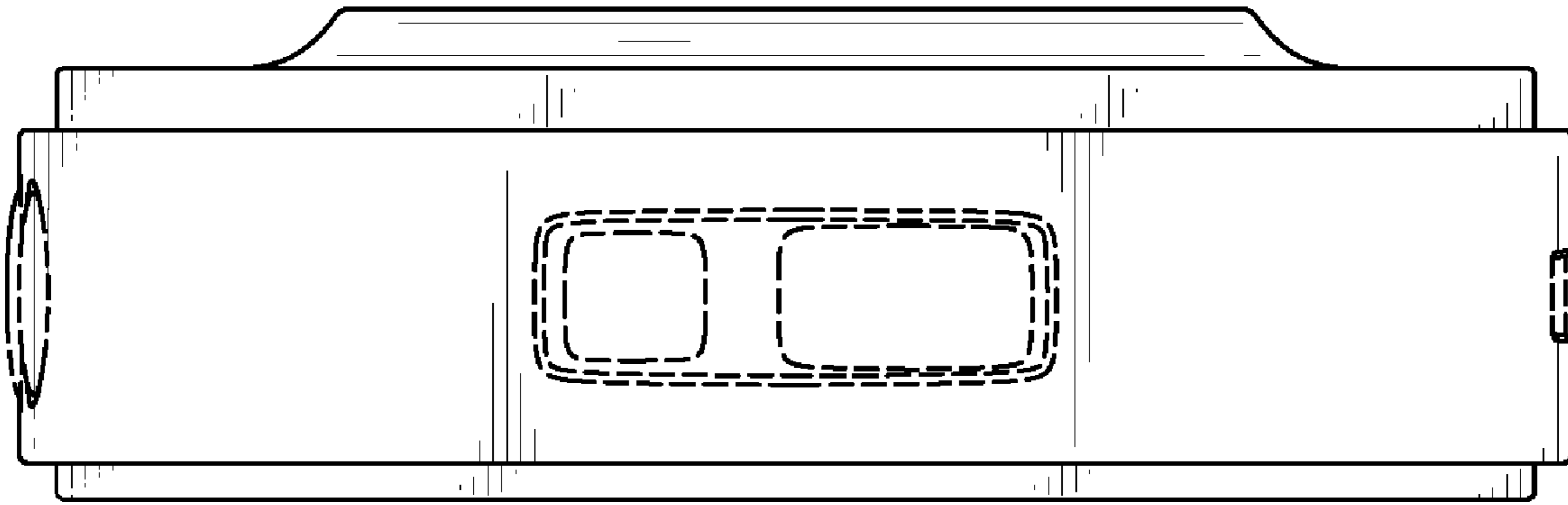


FIG. 7