



US00D559266S

(12) **United States Design Patent**
Oh

(10) **Patent No.:** **US D559,266 S**

(45) **Date of Patent:** **** Jan. 8, 2008**

(54) **PORTABLE MP3 PLAYER WITH FM TRANSMITTER WITH BUILT IN CAR ADAPTER**

D551,170 S * 9/2007 Hussaini et al. D13/144
7,280,802 B2 * 10/2007 Grady 455/42

* cited by examiner

(75) Inventor: **Seunghee Oh**, DixHills, NY (US)

Primary Examiner—Prabhakar Deshmukh

(73) Assignee: **JWin Electronics Corp.**, Port Washington, NY (US)

(57) **CLAIM**

(**) Term: **14 Years**

The ornamental design for portable MP3 player with FM transmitter with built in car adapter, as shown and described.

(21) Appl. No.: **29/261,591**

DESCRIPTION

(22) Filed: **Jun. 19, 2006**

FIG. 1 is a front elevational view of a portable MP3 player with FM transmitter with built in car adapter showing my new design;

(51) **LOC (8) Cl.** **14-03**

(52) **U.S. Cl.** **D14/496**

FIG. 2 is a rear elevational view thereof;

(58) **Field of Classification Search** D14/496,

D14/401, 435, 474, 483, 217, 137, 138, 160,
D14/168; 345/156, 169, 173-179, 905; 715/727-729,
715/864; 455/11.1, 773, 344-347, 93, 95;
370/342-344; 369/1, 2, 6, 12; 463/43-47;
273/148 B

FIG. 3 is a left side elevational view thereof;

FIG. 4 is a right side elevational view thereof;

FIG. 5 is a top plan view thereof;

FIG. 6 is a bottom plan view thereof;

See application file for complete search history.

FIG. 7 is a front, bottom and right perspective view thereof;

FIG. 8 is a front elevational view thereof, shown without the cover for clarity;

(56) **References Cited**

U.S. PATENT DOCUMENTS

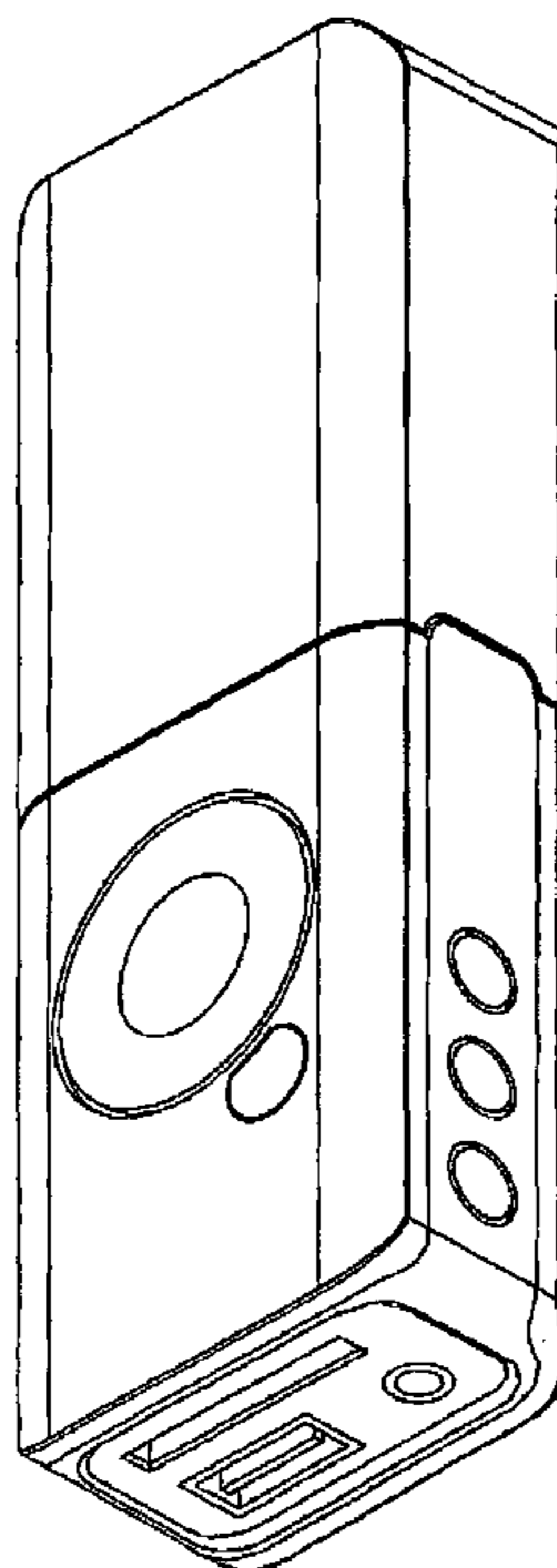
6,101,403 A * 8/2000 Masuda 455/569.2
6,612,875 B1 * 9/2003 Liao 439/675
D491,911 S * 6/2004 Jung D14/156
D493,779 S * 8/2004 Lee D14/156
D504,409 S * 4/2005 Kim D14/156
7,088,575 B2 * 8/2006 Chiu et al. 361/679
D532,424 S * 11/2006 Kim D14/496
7,203,529 B2 * 4/2007 Kim et al. 455/575.1
D541,812 S * 5/2007 Wang D14/496

FIG. 9 is a front, right and top perspective of an alternate embodiment of FIG. 8; and,

FIG. 10 is a front, right and bottom perspective view of FIG. 8.

The broken lines showing of batteries in FIG. 9 are for illustrative purpose only and form no part of the claimed design.

1 Claim, 10 Drawing Sheets



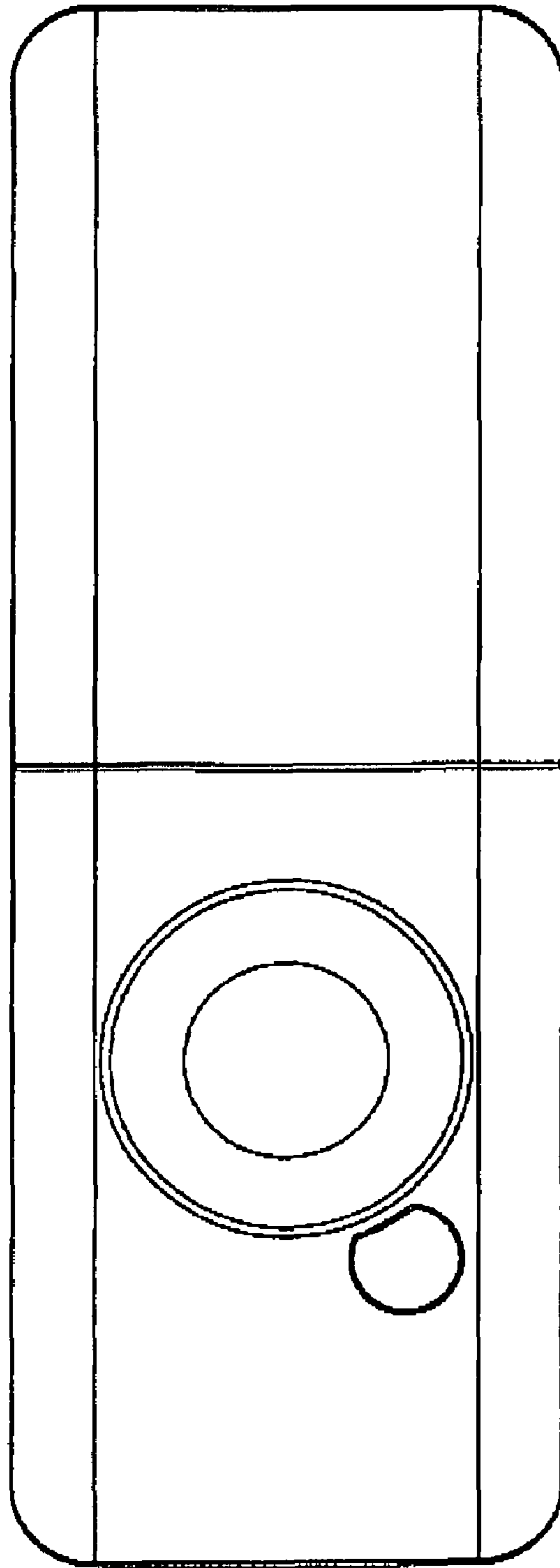


FIG. 1

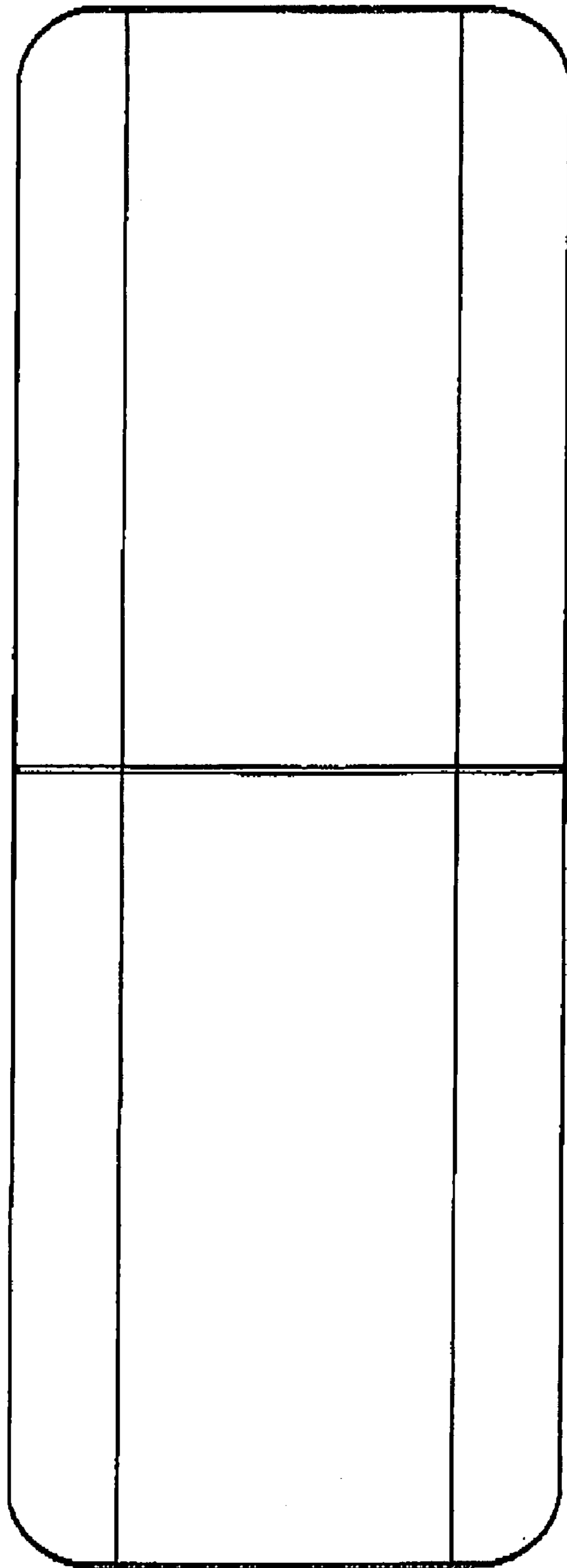


FIG. 2

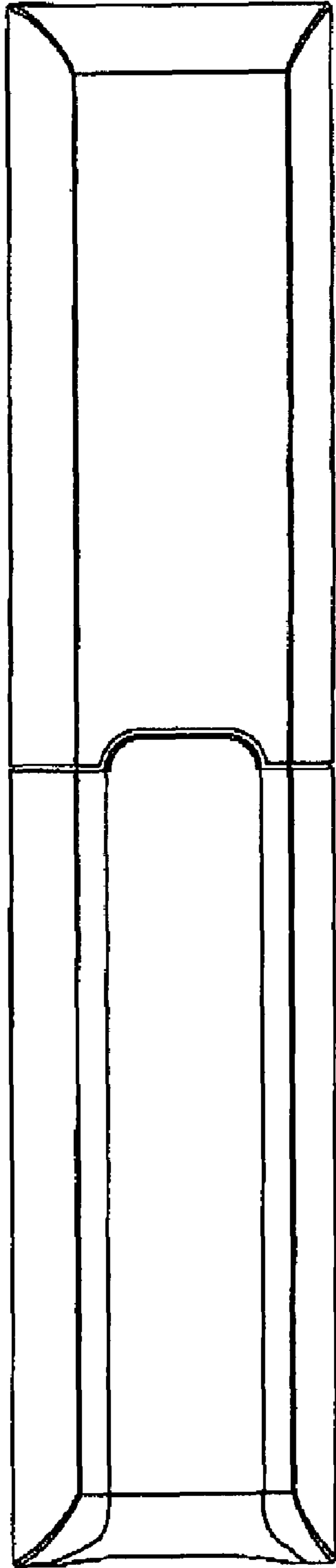


FIG. 3

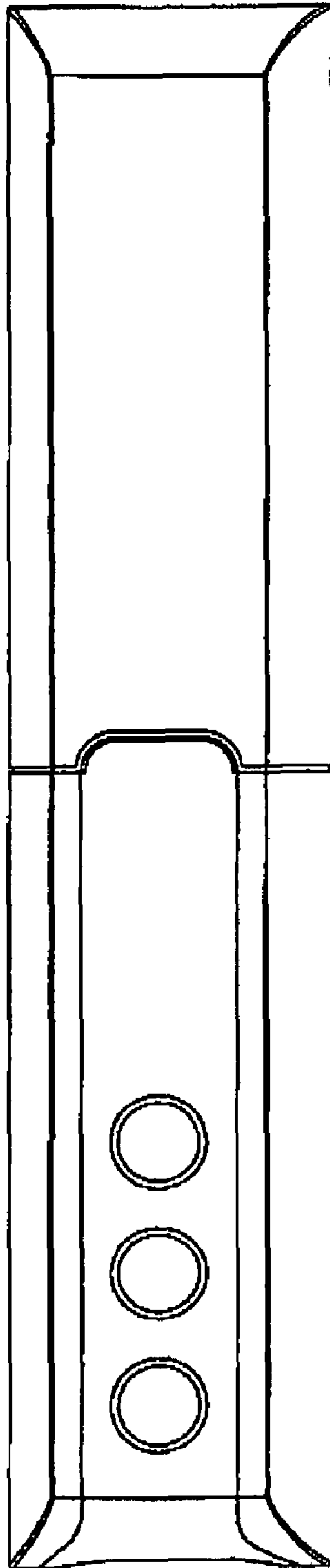


FIG. 4

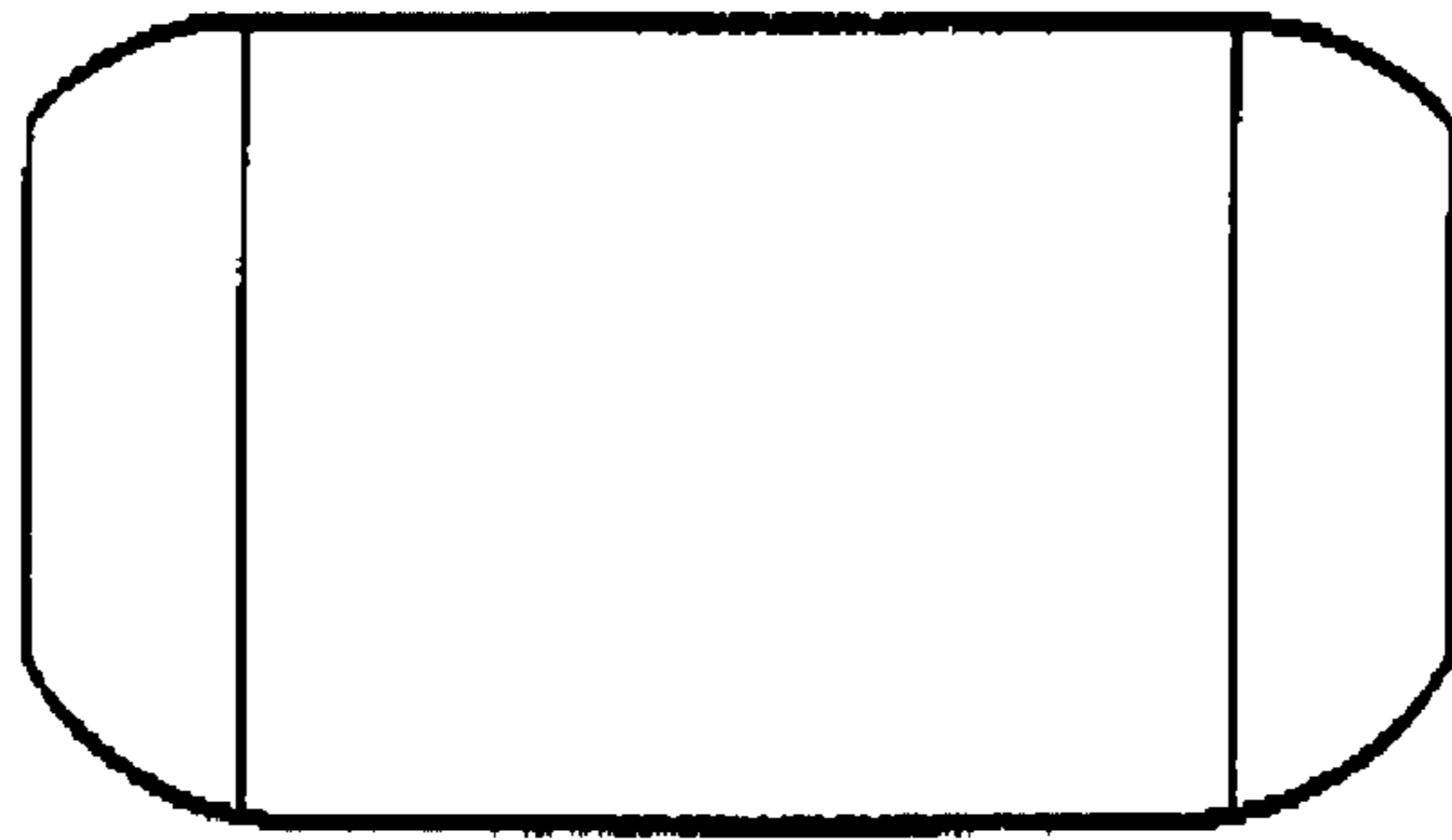


FIG. 5

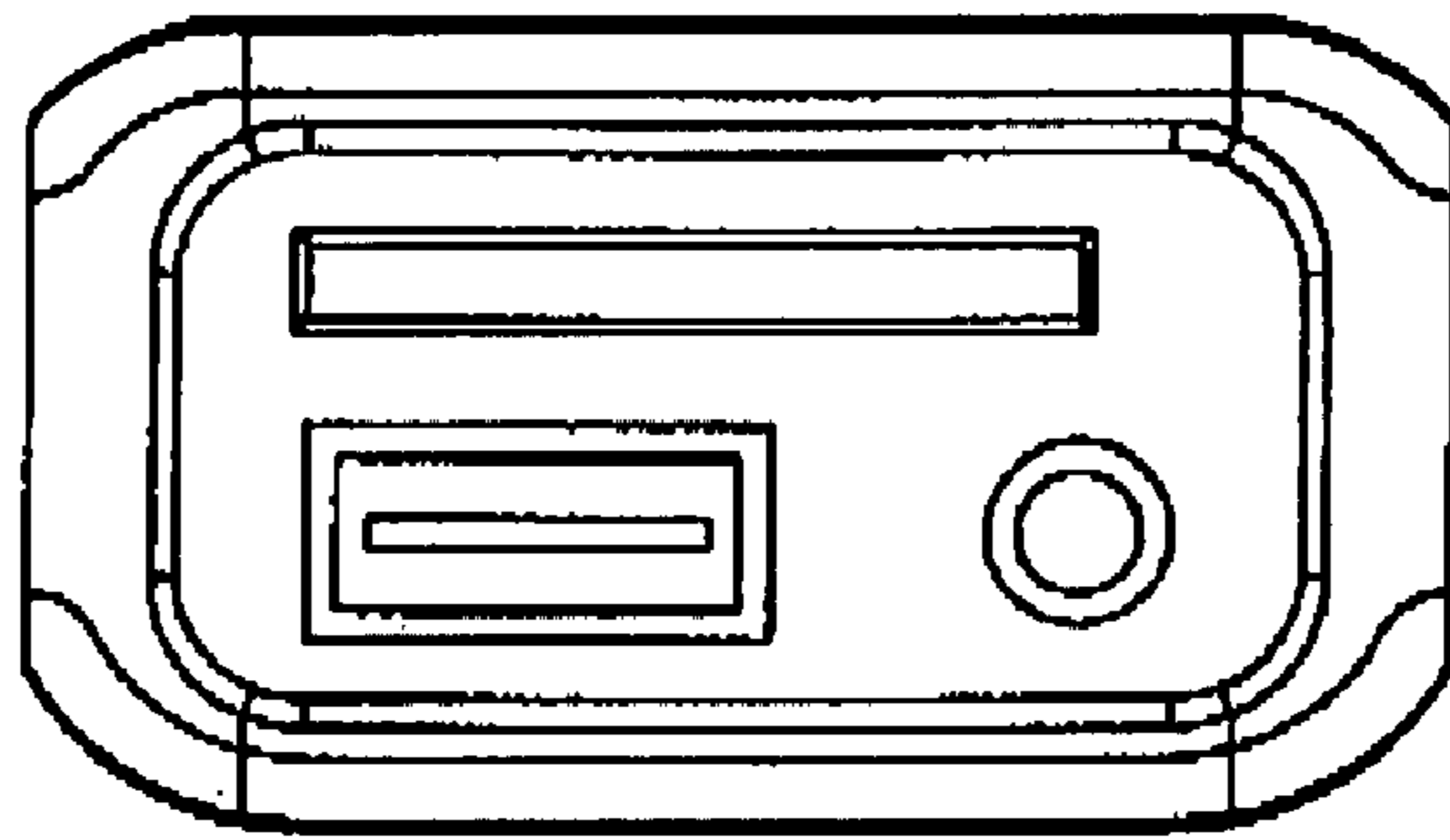


FIG. 6

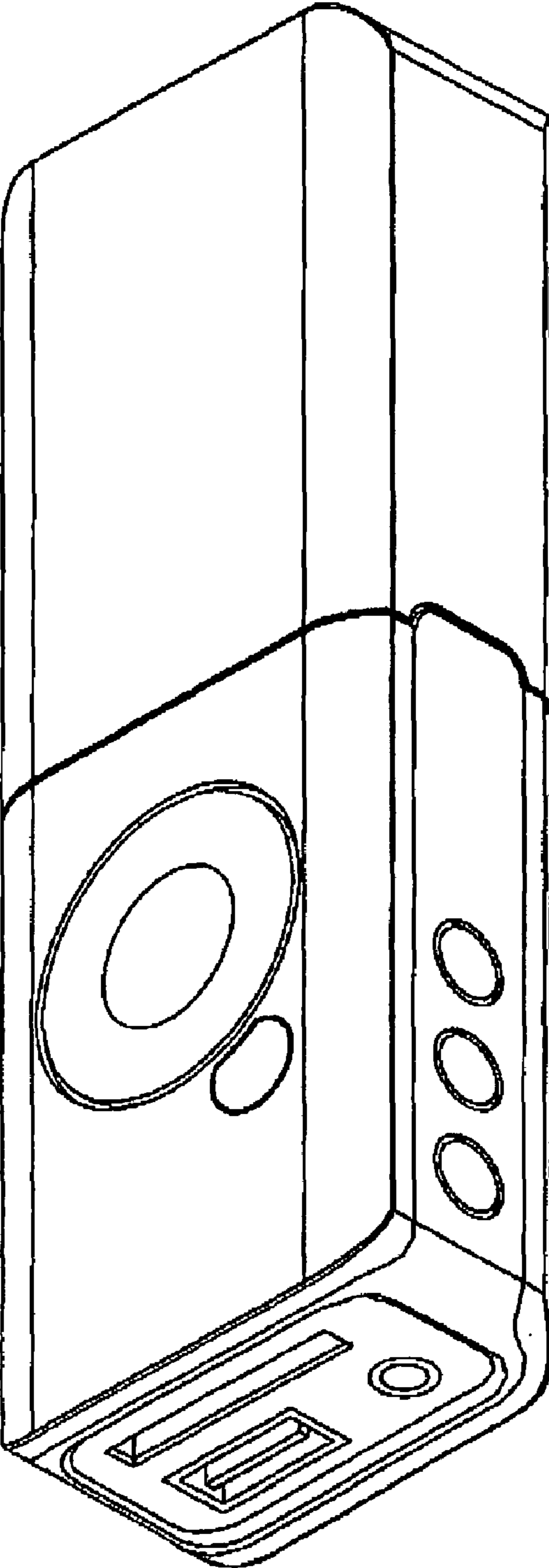


FIG. 7

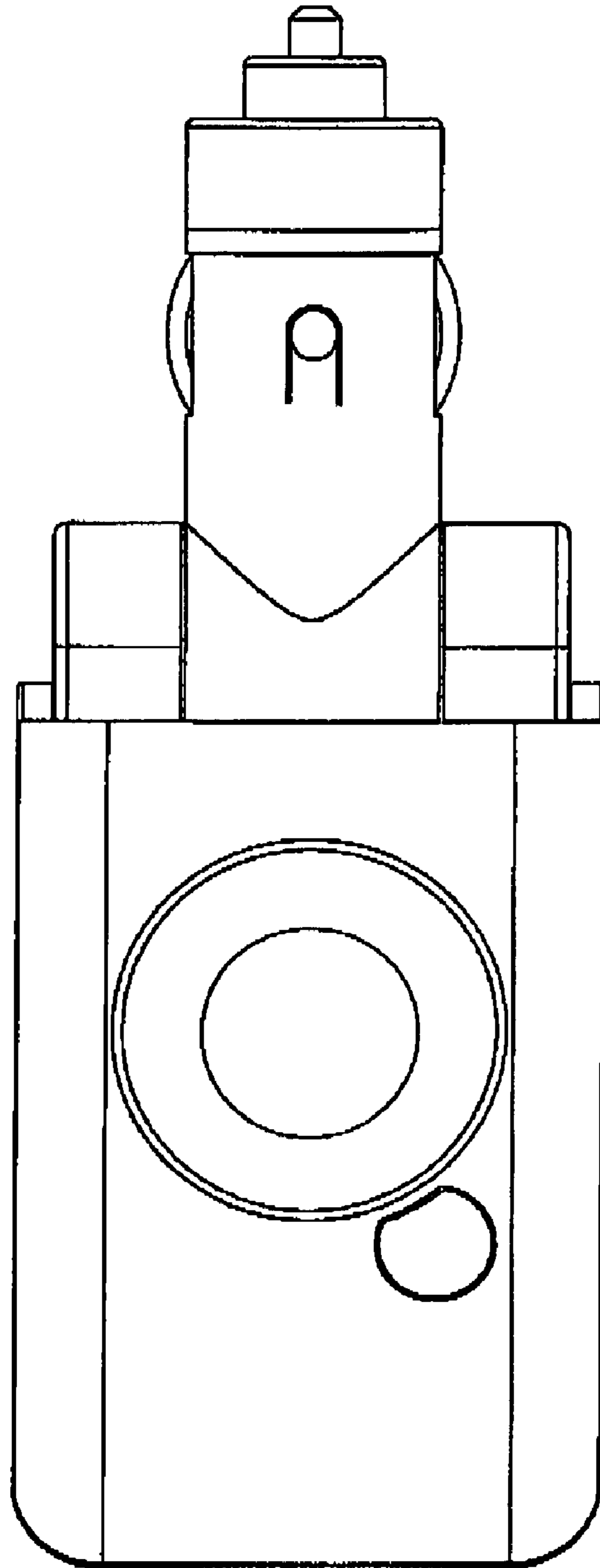


FIG. 8

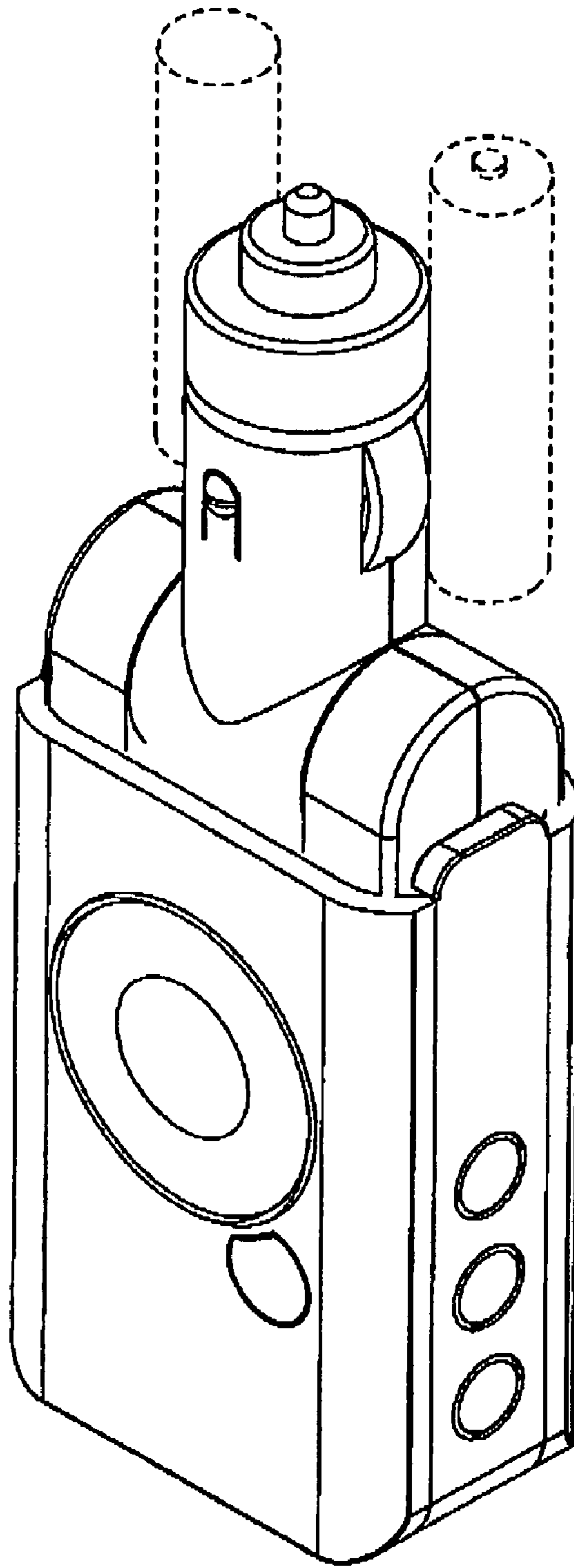


FIG. 9

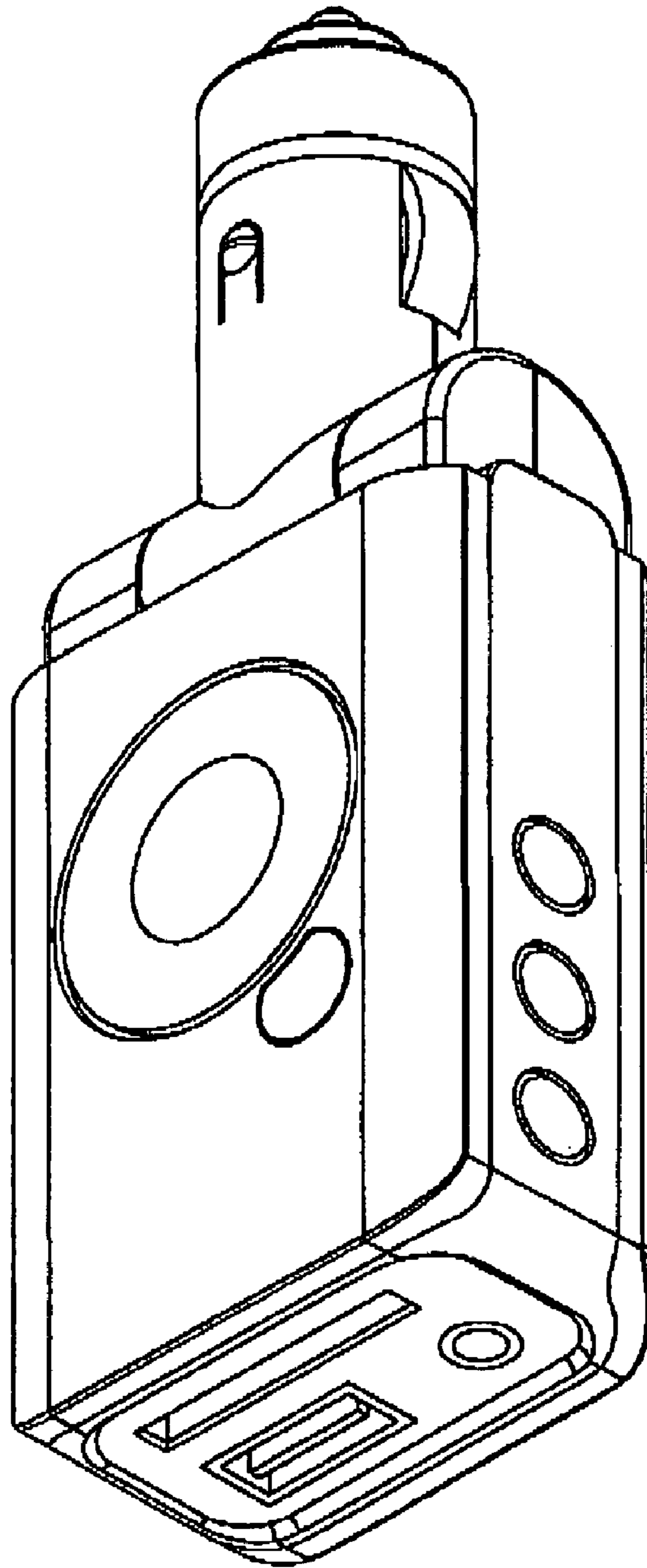


FIG. 10