



US00D559264S

(12) **United States Design Patent**
Niijima

(10) **Patent No.:** **US D559,264 S**
(45) **Date of Patent:** **** Jan. 8, 2008**

(54) **COMPUTER GENERATED IMAGE FOR A DISPLAY PANEL OR SCREEN**

FOREIGN PATENT DOCUMENTS

EM 000415286-0005 * 11/2005

(75) Inventor: **Makoto Niijima**, Tokyo (JP)

OTHER PUBLICATIONS

(73) Assignee: **Sony Corporation**, Tokyo (JP)

Logo Lounge, by Catharine Fishel and Bill Gardner, Rockport Publishers, Gloucester, MA © 2003, pp. 48, 278 and 285.*

(**) Term: **14 Years**

* cited by examiner

(21) Appl. No.: **29/242,414**

Primary Examiner—Robin V. Webster

Assistant Examiner—Karen E Kearney

(22) Filed: **Nov. 10, 2005**

(74) *Attorney, Agent, or Firm*—Rader, Fishman & Grauer PLLC

(51) **LOC (8) Cl.** **14-04**

(52) **U.S. Cl.** **D14/490; D14/491**

(58) **Field of Classification Search** D14/485-95;
D18/24-33; D19/6; D20/11, 23, 29; 715/700-867,
715/973-7

See application file for complete search history.

(57) **CLAIM**

The ornamental design for a computer generated image for a display panel or screen, as shown and described.

(56) **References Cited**

DESCRIPTION

U.S. PATENT DOCUMENTS

5,636,350	A *	6/1997	Eick et al.	345/440
D384,052	S *	9/1997	Kodosky	D14/490
D424,041	S	5/2000	Tambata	
D444,794	S	7/2001	Nashida	
6,295,092	B1 *	9/2001	Hullinger et al.	348/468
D450,711	S *	11/2001	Istvan et al.	D14/486
D453,167	S	1/2002	Hasegawa	
D477,828	S *	7/2003	Ferguson et al.	D14/486
6,606,104	B1 *	8/2003	Kondo et al.	715/764
6,931,288	B1 *	8/2005	Lee et al.	700/86
2002/0013815	A1 *	1/2002	Obradovich et al.	709/204
2002/0054119	A1 *	5/2002	Dow et al.	345/772
2003/0160812	A1 *	8/2003	Dommer et al.	345/721
2004/0104936	A1 *	6/2004	Guo et al.	345/764
2004/0196307	A1 *	10/2004	Zak et al.	345/733
2005/0251755	A1 *	11/2005	Mullins et al.	715/779

FIG. 1 is a front elevational view of a first image of a computer generated image for a display panel or screen showing my new design;

FIG. 2 is a front elevational view of a second image thereof;

FIG. 3 is a front elevational view of a third image thereof;

FIG. 4 is a front elevational view of a fourth image thereof;

FIG. 5 is a front elevational view of a fifth image thereof;

FIG. 6 is a front elevational view of a sixth image thereof;

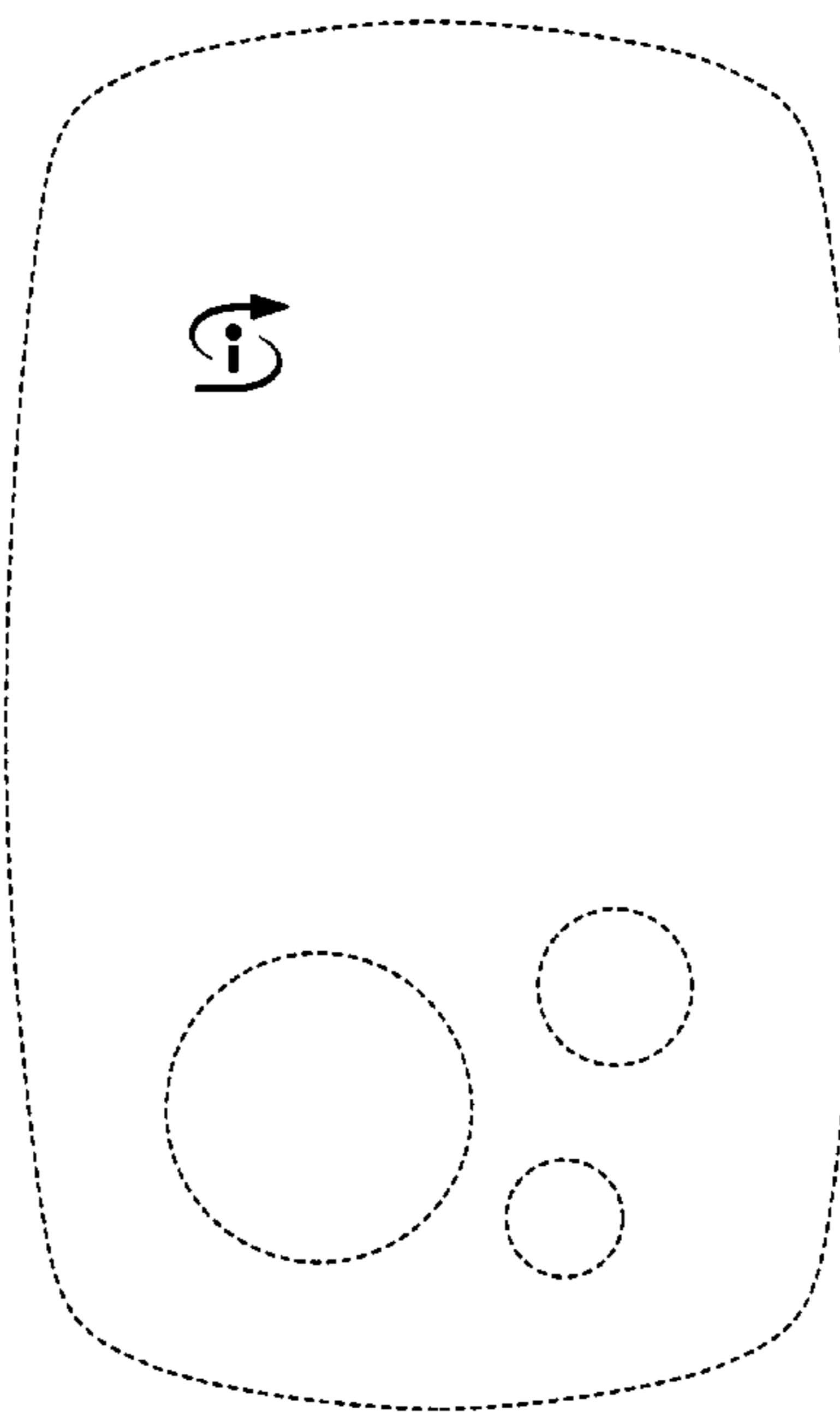
FIG. 7 is a front elevational view of a seventh image thereof;

and,

FIG. 8 is a front elevational view of an eighth image thereof.

The broken line drawings of a display panel or screen and the elements thereof are for illustrative purposes only and form no part of the claimed design.

1 Claim, 8 Drawing Sheets



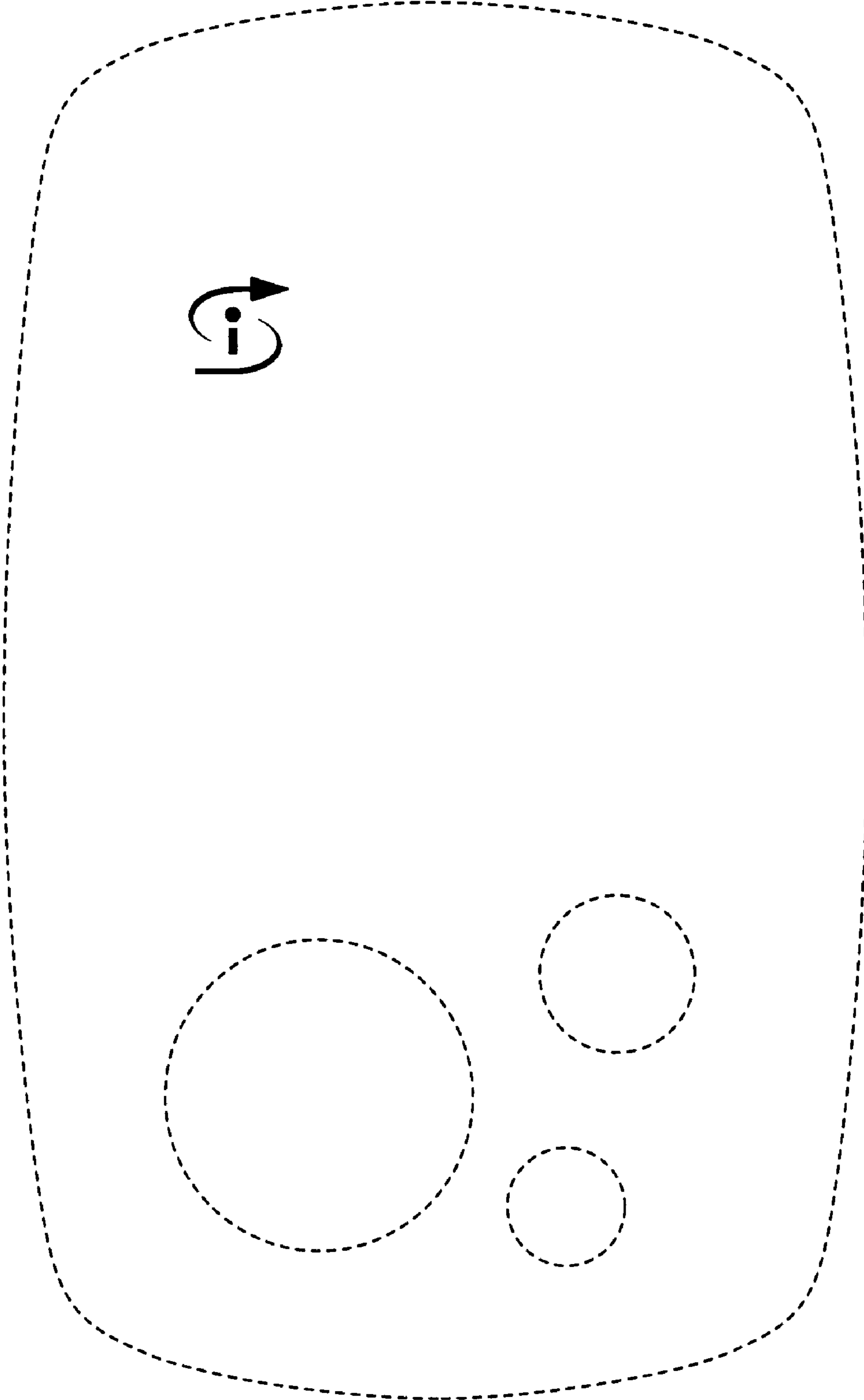


FIG. 1

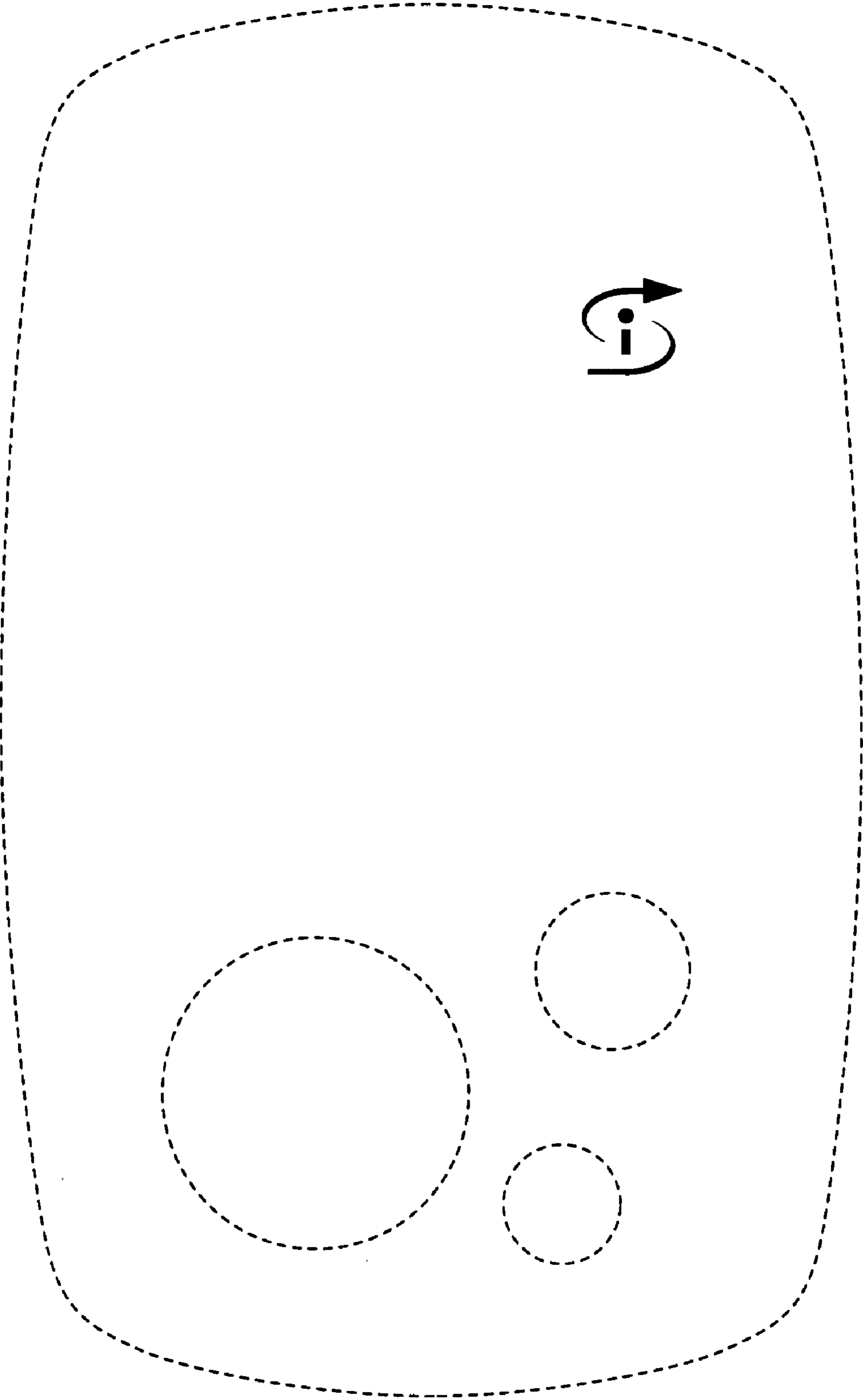


FIG. 2

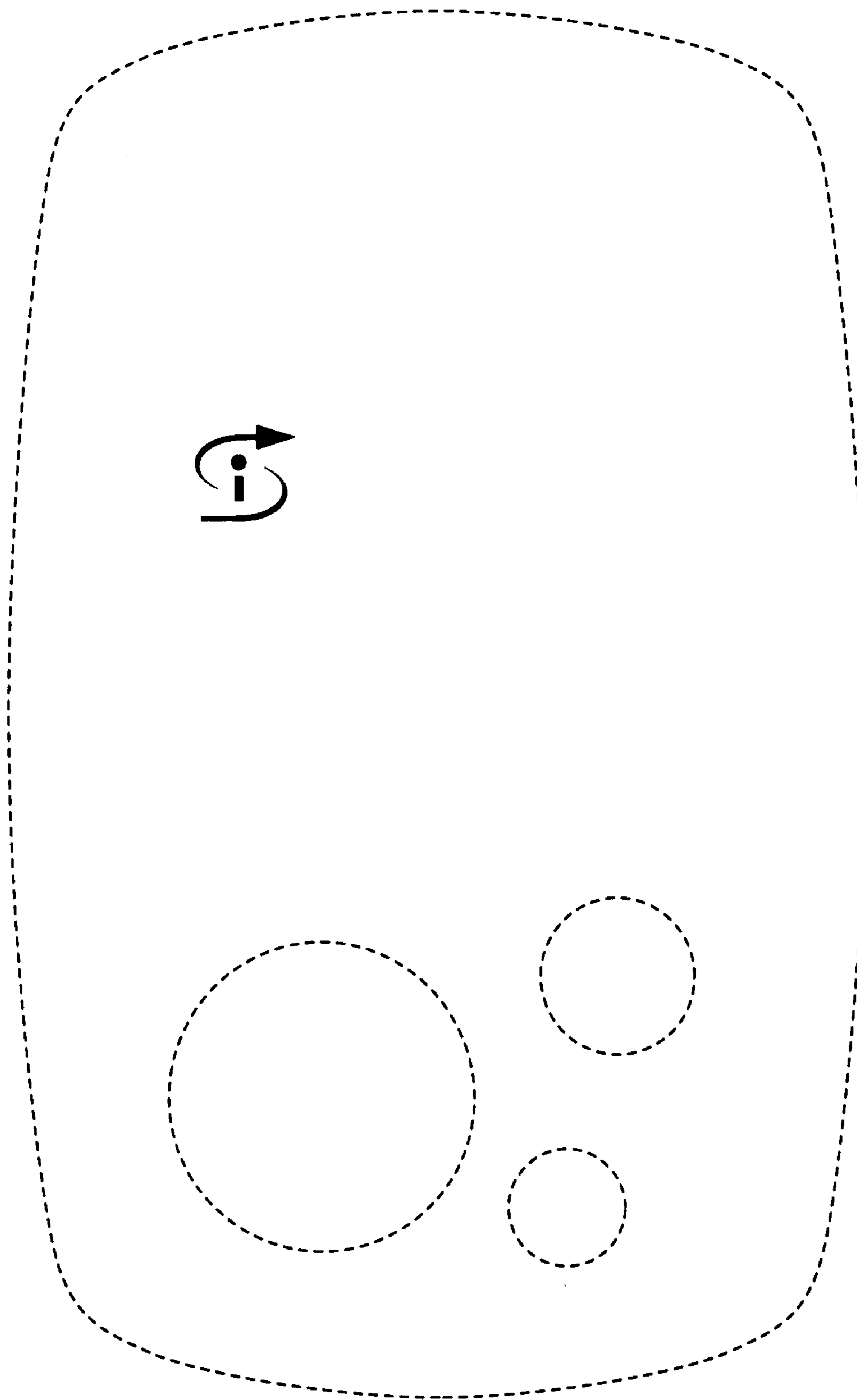


FIG. 3

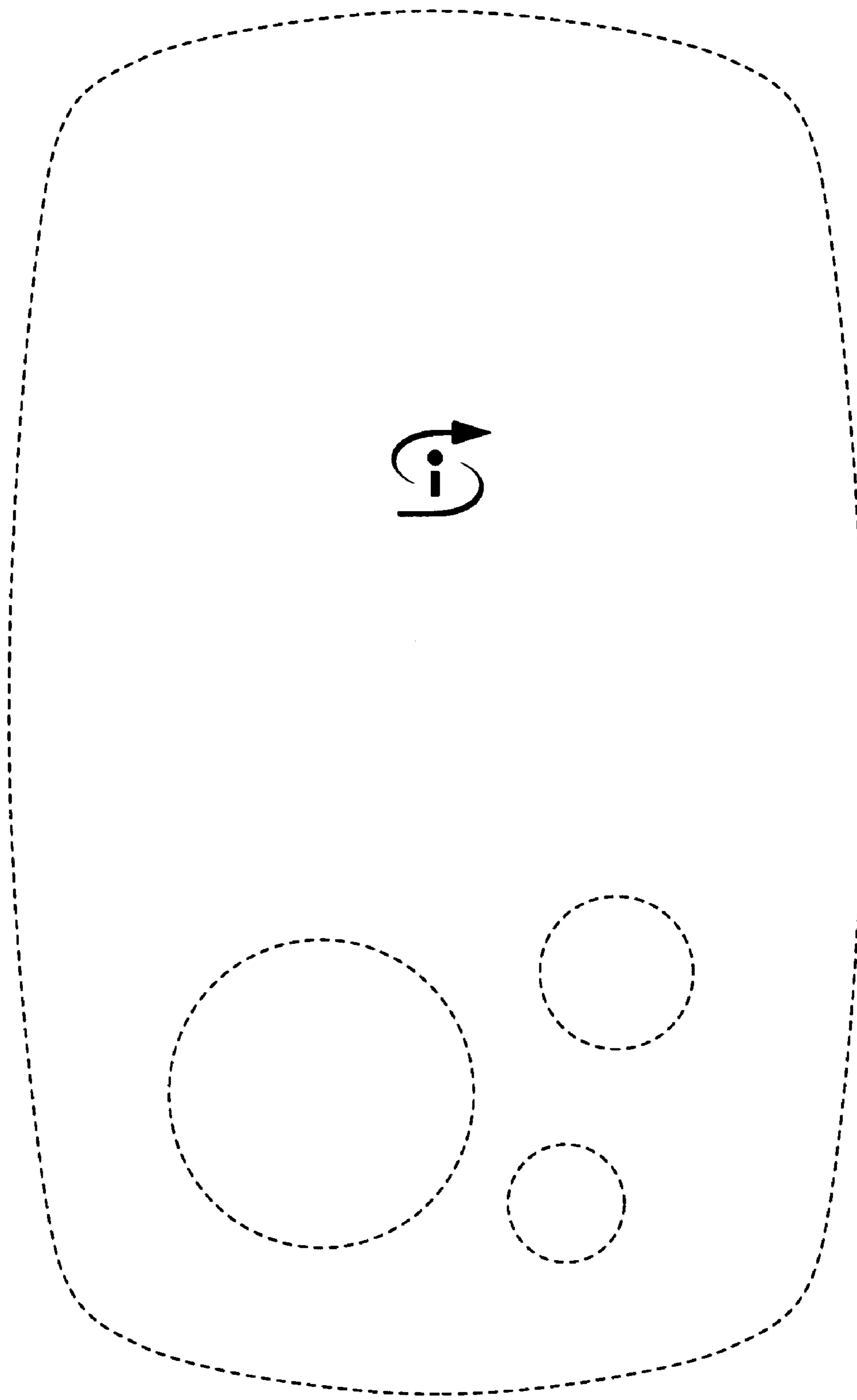


FIG. 4

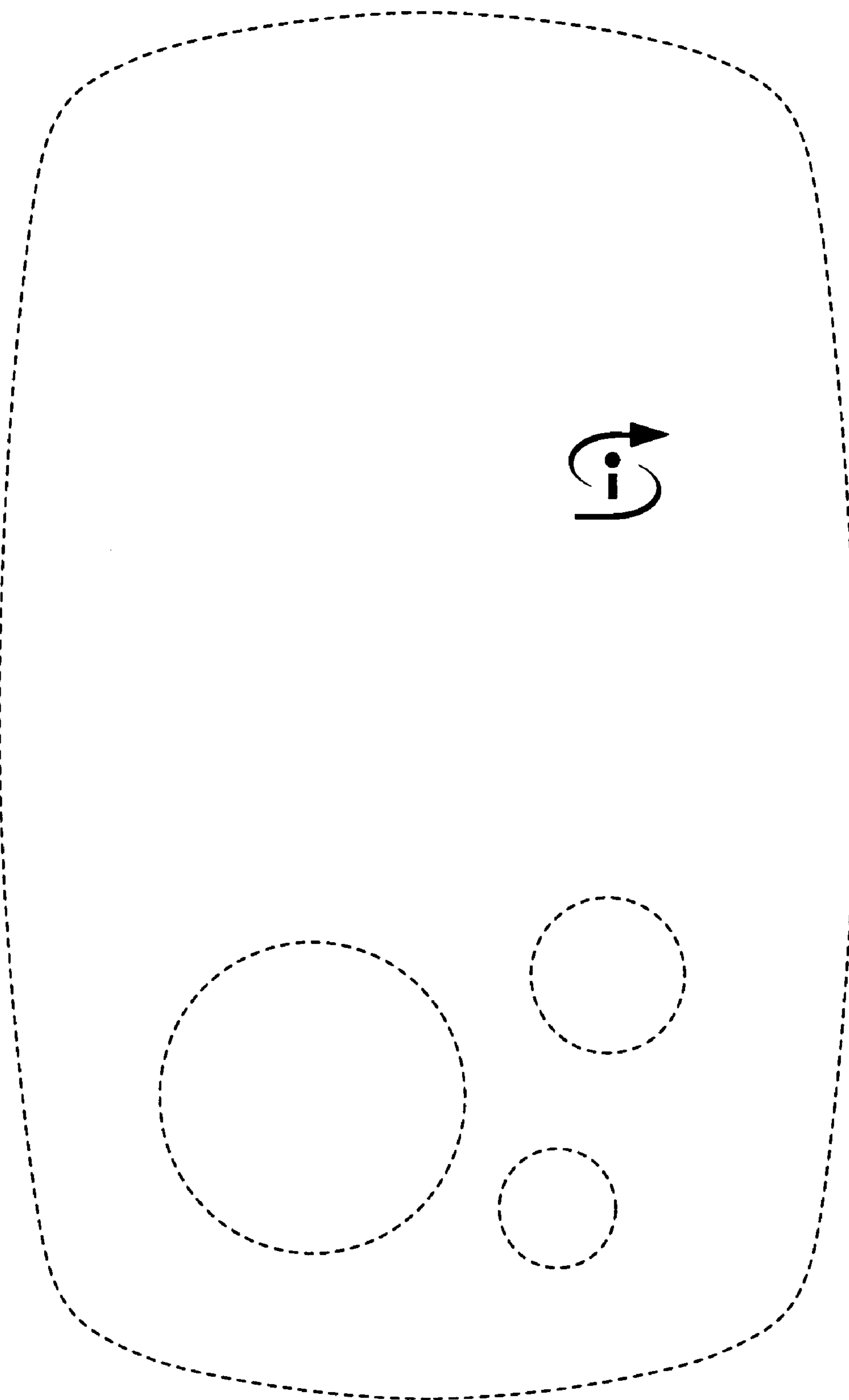


FIG. 5

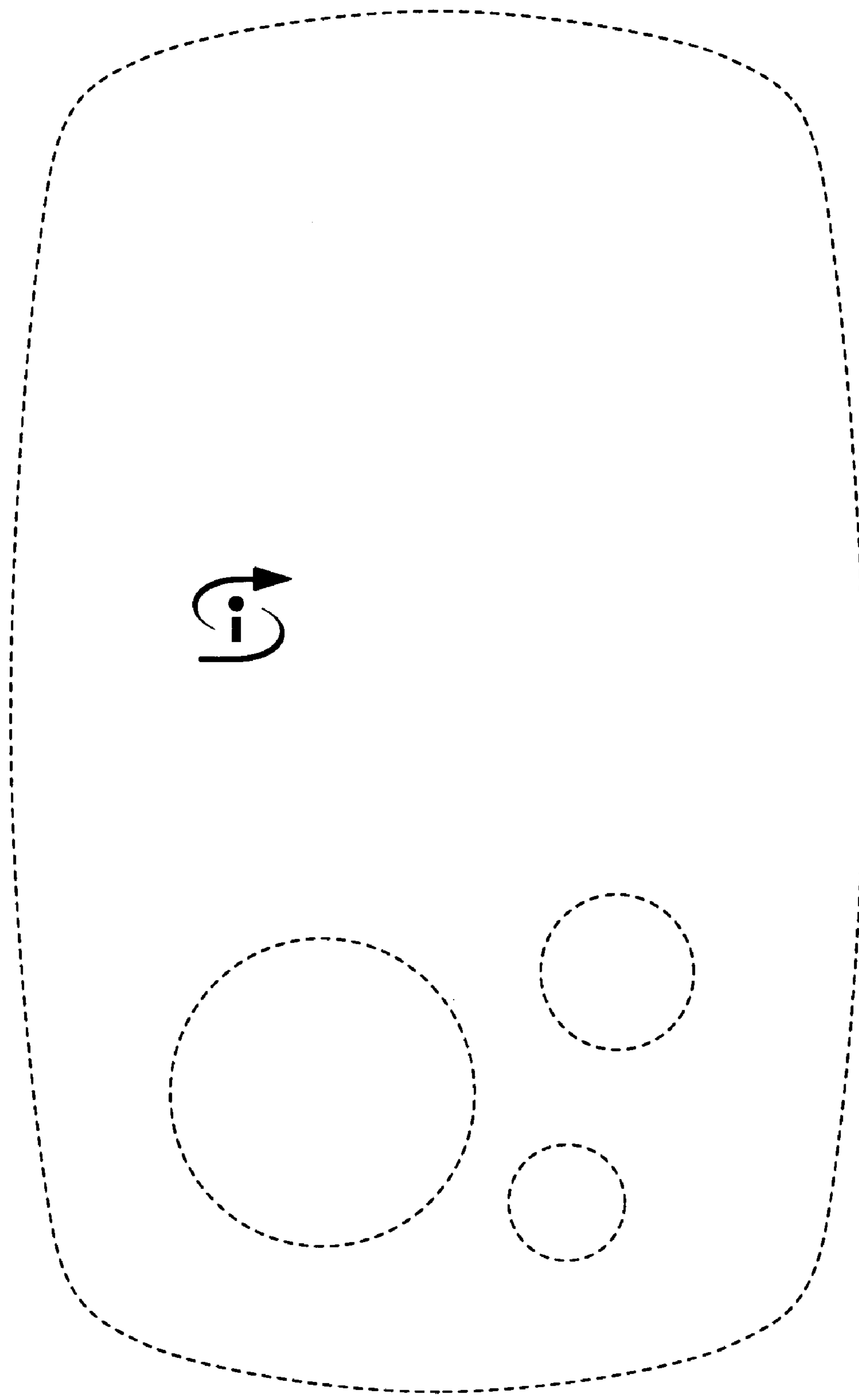


FIG. 6

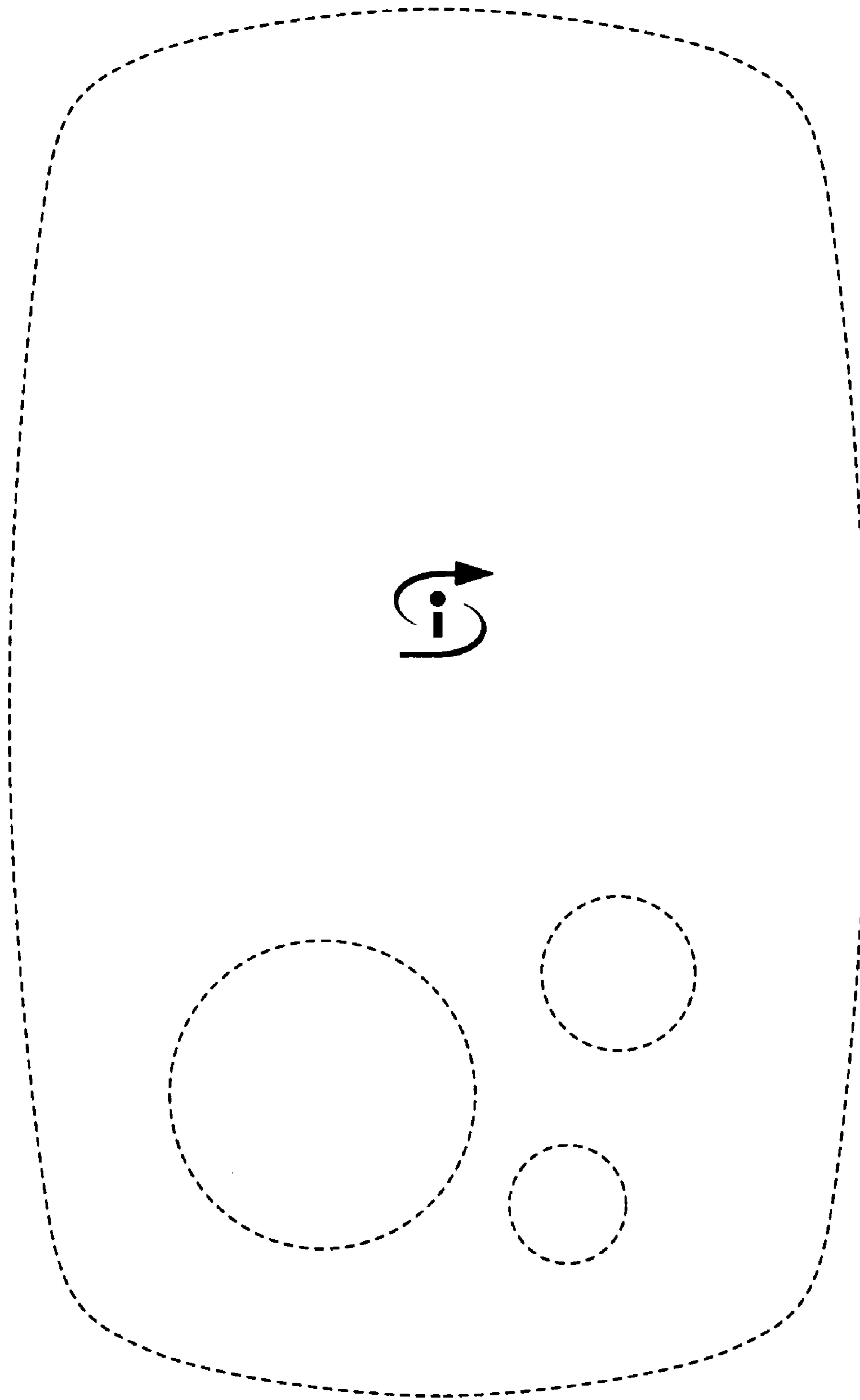


FIG. 7

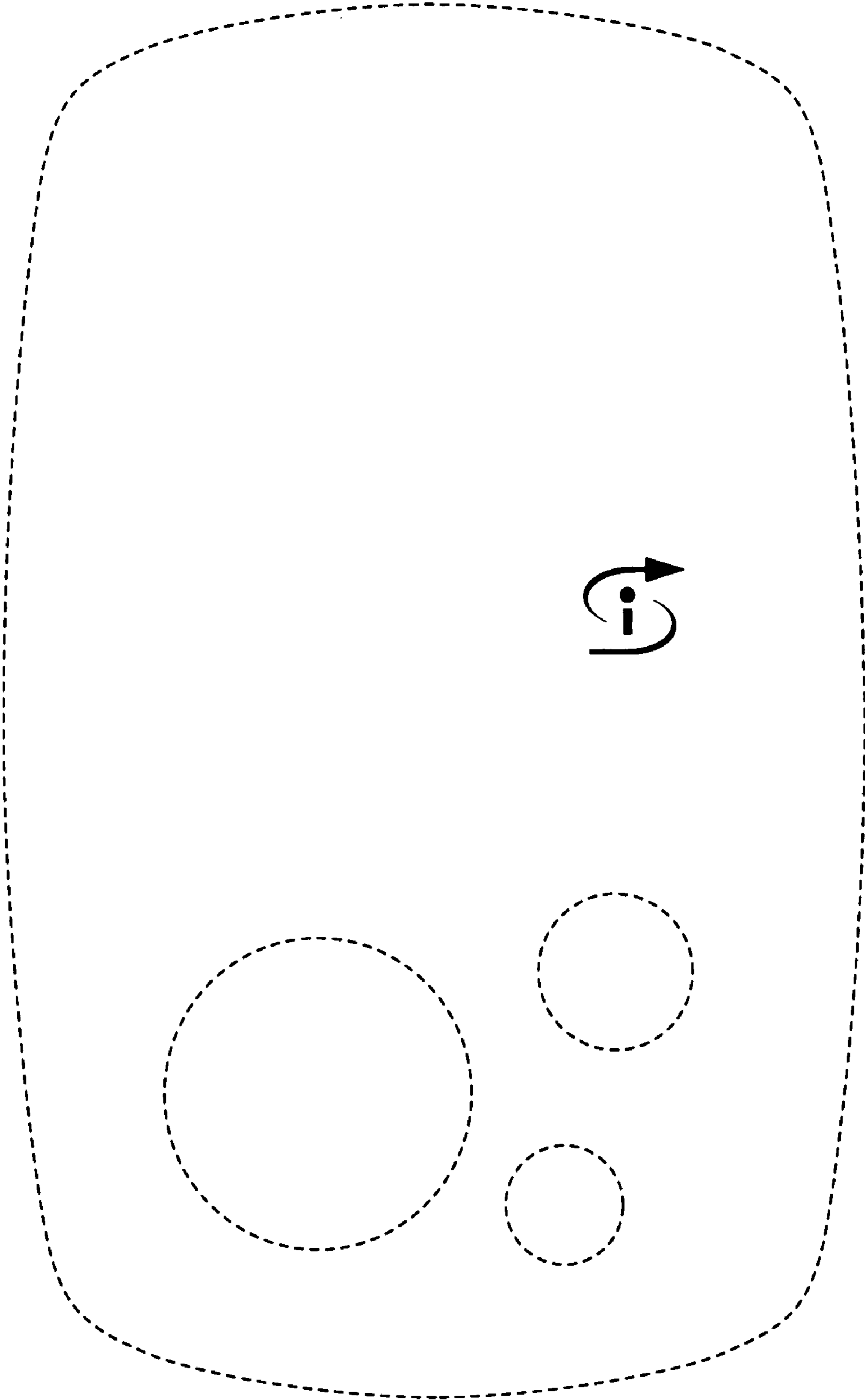


FIG. 8