

US00D559256S

(12) **United States Design Patent**
Gilbert

(10) **Patent No.:** **US D559,256 S**

(45) **Date of Patent:** **** Jan. 8, 2008**

(54) **WIRELESS ELECTRONIC COMMUNICATIONS CARD**

(75) Inventor: **William A. Gilbert**, Carlsbad, CA (US)

(73) Assignee: **Sierra Wireless, Inc.**, Richmond, British Columbia (CA)

(**) Term: **14 Years**

(21) Appl. No.: **29/263,155**

(22) Filed: **Jul. 17, 2006**

(51) **LOC (8) Cl.** **14-02**

(52) **U.S. Cl.** **D14/436**

(58) **Field of Classification Search** D14/433, D14/242, 432-438; 361/600, 622, 683, 684, 361/686, 724, 725-728; D13/184, 123, 110; 379/433.09, 433.11-13, 419, 440, 428.01, 379/428.04; 455/550.1, 552.1, 553.1, 554.1, 455/554.2, 555, 557, 556.1, 558, 575.1, 90.3; 439/101, 108, 946, 607; 174/52.1, 35 R; 902/26

See application file for complete search history.

(56) **References Cited**

U.S. PATENT DOCUMENTS

D355,412 S *	2/1995	Rak et al.	D14/242
D364,399 S *	11/1995	Long	D14/433
5,513,074 A *	4/1996	Ainsbury et al.	361/737
D371,770 S *	7/1996	Larson et al.	D14/242
D378,085 S *	2/1997	Kerklaan et al.	D14/436
D415,479 S *	10/1999	Yang et al.	D14/436
6,018,461 A *	1/2000	Biermann et al.	361/737
D431,035 S *	9/2000	Lehtomaki	D14/242

D452,494 S *	12/2001	Sodling	D14/242
6,353,534 B1 *	3/2002	Chen	361/684
D458,935 S *	6/2002	Hiroki	D14/436
6,400,931 B1 *	6/2002	Inkinen et al.	455/90.1
D475,701 S *	6/2003	Kasuya et al.	D14/242
D485,561 S *	1/2004	Hong et al.	D14/436
D486,482 S *	2/2004	Huang	D14/242
D489,714 S *	5/2004	Yin et al.	D14/242
D502,181 S *	2/2005	Hong et al.	D14/436
D504,434 S *	4/2005	Katayanagi	D14/436
2003/0231472 A1 *	12/2003	Tseng et al.	361/737
2004/0008502 A1 *	1/2004	Hautier et al.	361/818

* cited by examiner

Primary Examiner—M. H. Tung

Assistant Examiner—Susan Moon Lee

(74) *Attorney, Agent, or Firm*—Thelen Reid Brown Raysman & Steiner LLP

(57) **CLAIM**

The ornamental design for a wireless electronic communications card, as shown and described.

DESCRIPTION

FIG. 1 is a reduced perspective view of an electronic communications card.

FIG. 2 is a back view of the communications card.

FIG. 3 is a front view of the communications card.

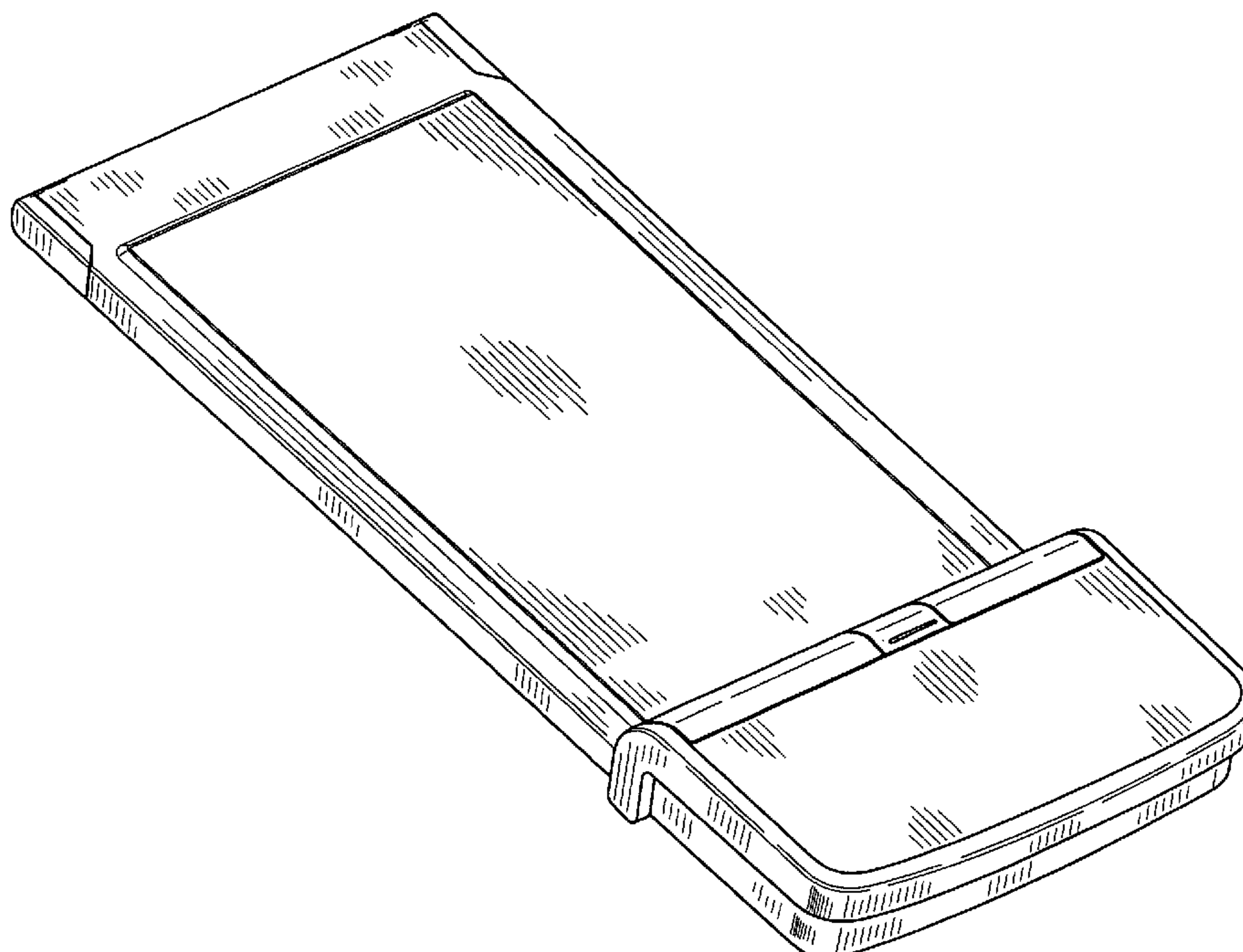
FIG. 4 is a left side view of the communications card.

FIG. 5 is a right side view of the communications card.

FIG. 6 is a top view of the communications card; and,

FIG. 7 is a bottom view of the communications card.

1 Claim, 5 Drawing Sheets



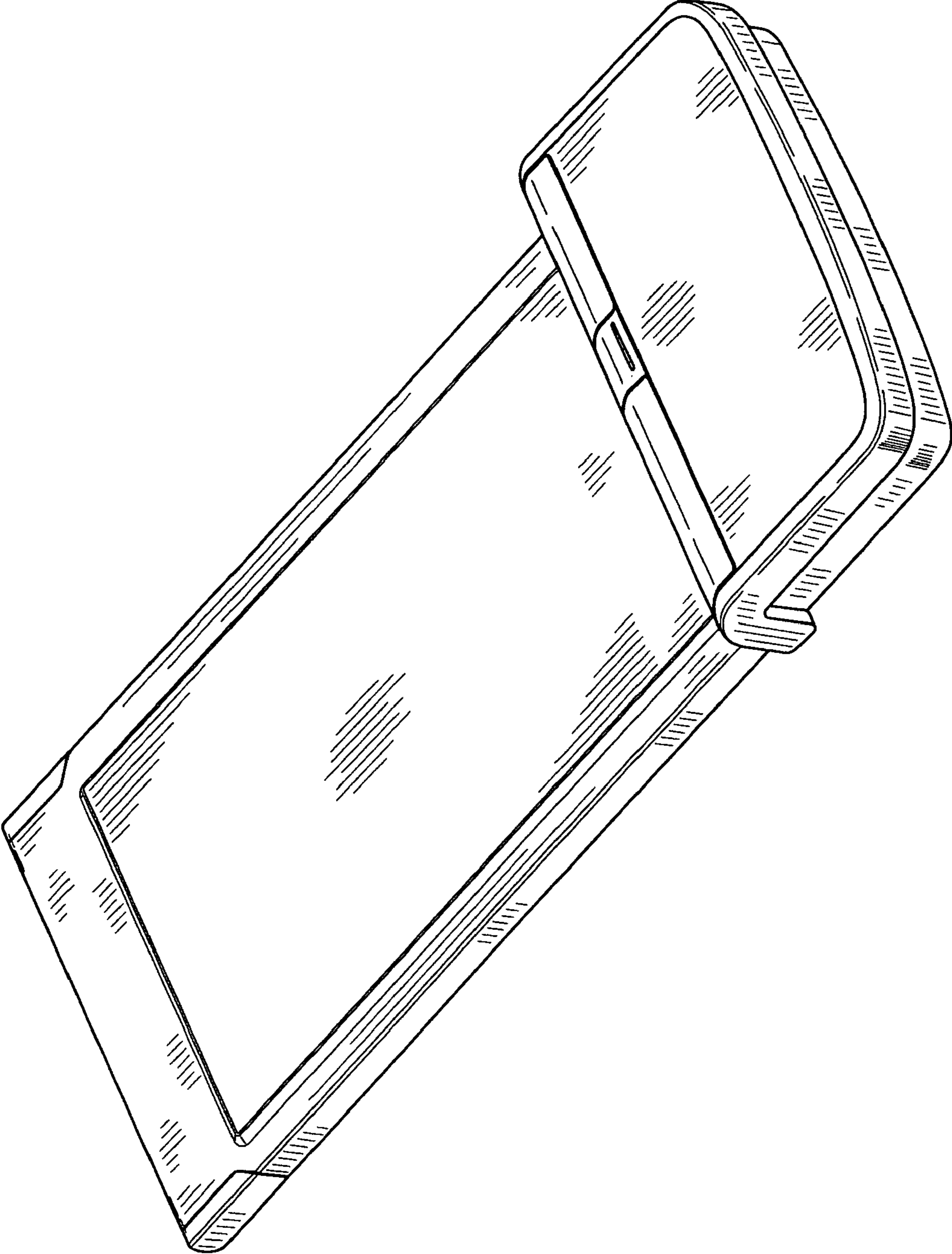


FIG. 1

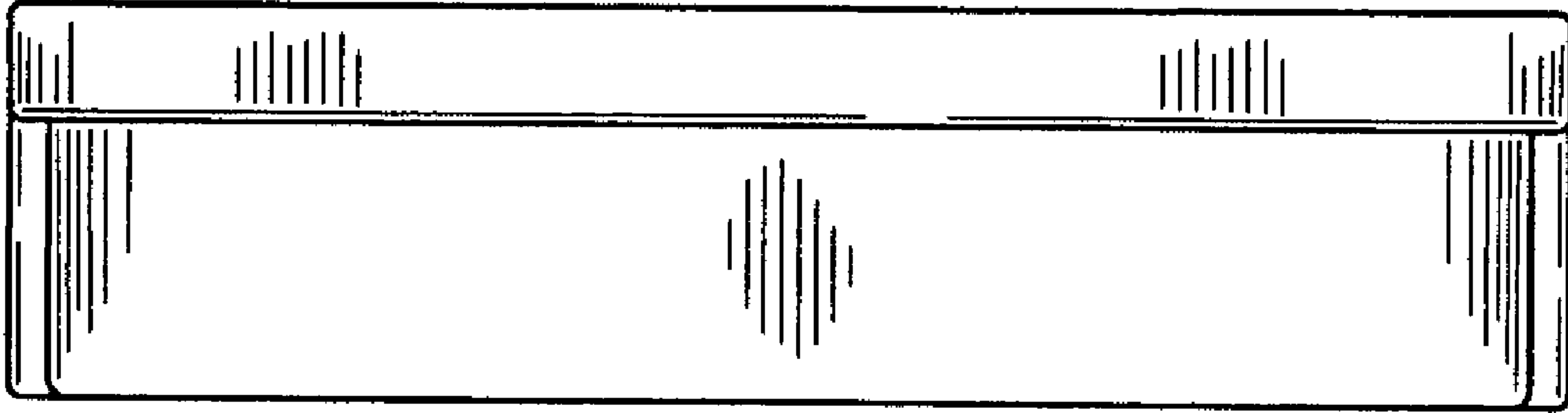


FIG. 2

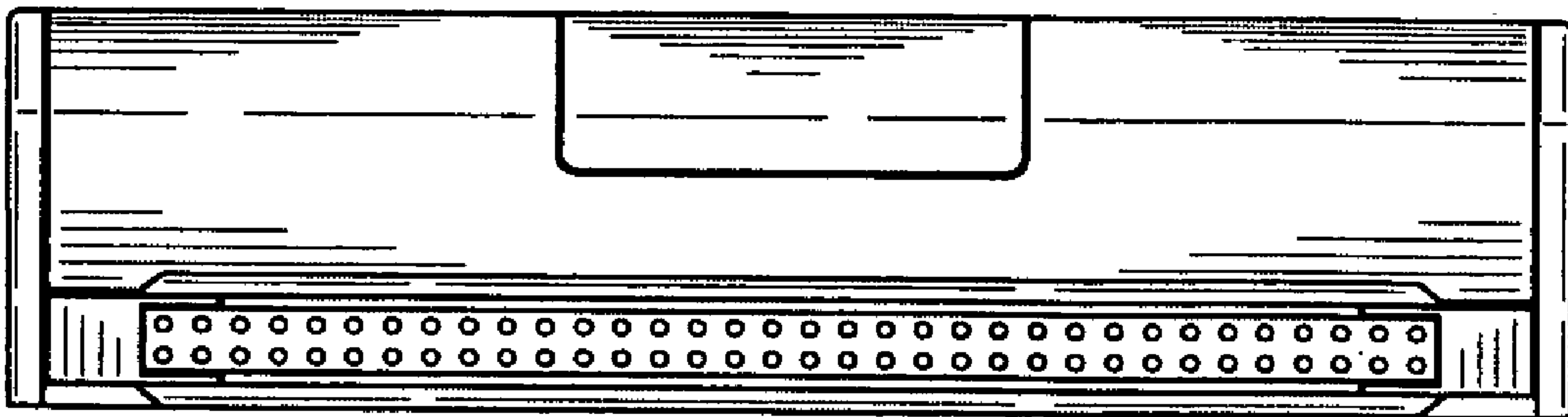


FIG. 3

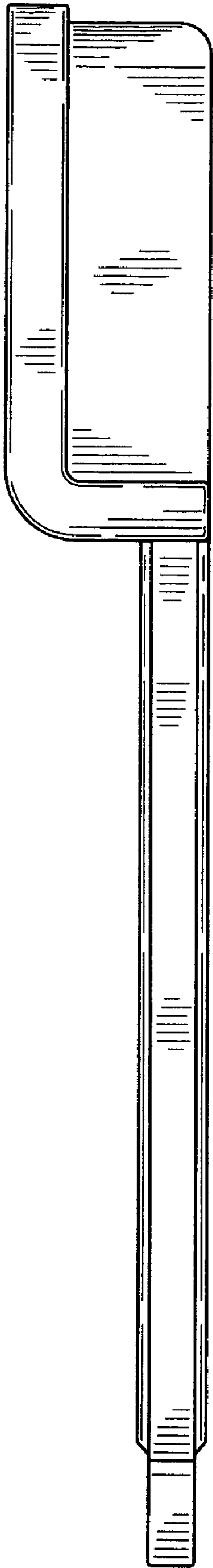


FIG. 4

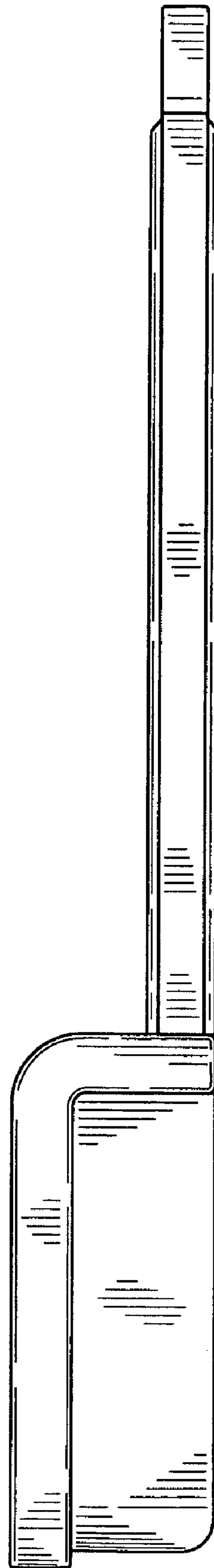


FIG. 5

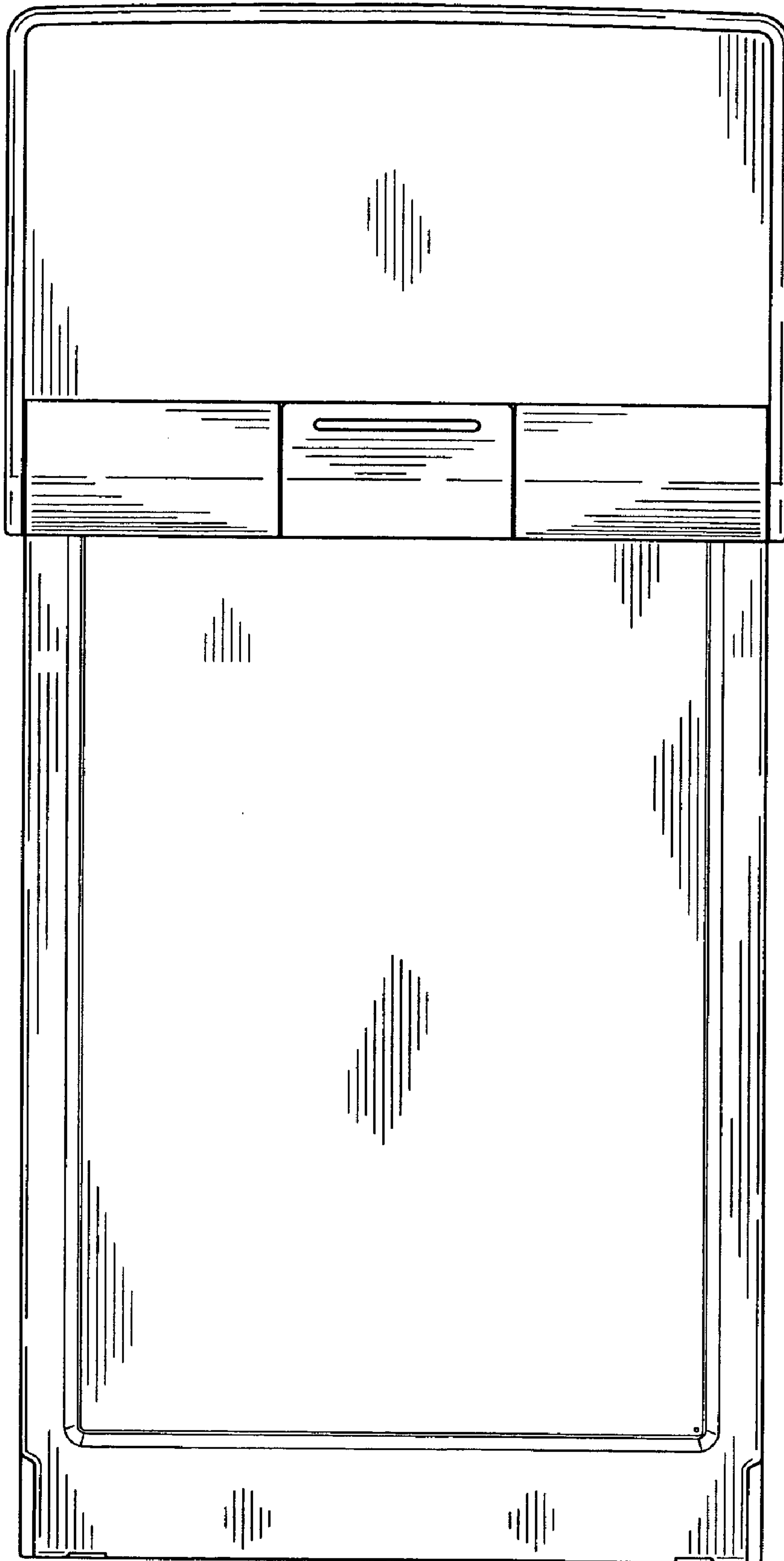


FIG. 6

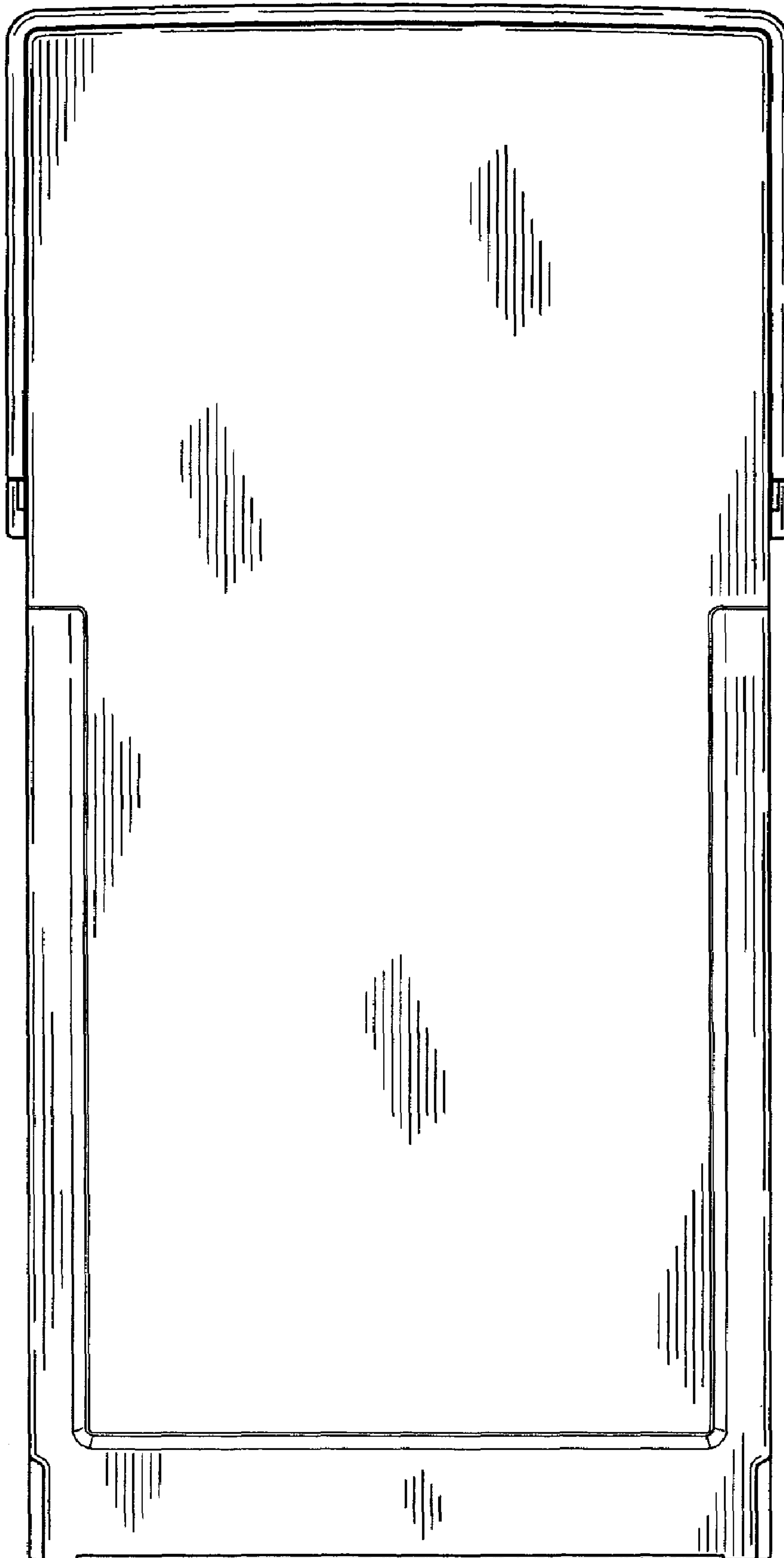


FIG. 7