



US00D559254S

(12) **United States Design Patent**
Ashida et al.

(10) **Patent No.:** **US D559,254 S**
(45) **Date of Patent:** **** Jan. 8, 2008**

(54) **CONTROLLER FOR ELECTRONIC GAME MACHINE**

(75) Inventors: **Kenichiro Ashida**, Kyoto (JP); **Junji Takamoto**, Kyoto (JP); **Masato Ibuki**, Kyoto (JP); **Shinji Yamamoto**, Kyoto (JP); **Hirokazu Matsui**, Kyoto (JP); **Daisuke Kumazaki**, Kyoto (JP); **Akiko Suga**, Kyoto (JP)

(73) Assignee: **Nintendo Co., Ltd.**, Kyoto (JP)

(**) Term: **14 Years**

(21) Appl. No.: **29/253,815**

(22) Filed: **Feb. 14, 2006**

(30) **Foreign Application Priority Data**

Aug. 17, 2005	(JP)	2005-023841
Aug. 17, 2005	(JP)	2005-023842
Aug. 17, 2005	(JP)	2005-023843
Aug. 17, 2005	(JP)	2005-023847
Aug. 17, 2005	(JP)	2005-023848
Aug. 17, 2005	(JP)	2005-023849
Aug. 17, 2005	(JP)	2005-023851

(51) **LOC (8) Cl.** **14-02**

(52) **U.S. Cl.** **D14/400; D21/328; D21/333**

(58) **Field of Classification Search** D14/399-401, D14/412, 356, 432, 454, 496; 273/148 B, 273/148 R; 463/1, 29, 43-47; 345/156, 345/161, 168, 169; 74/469, 471 R, 471 XY; D21/324-328, 330-333

See application file for complete search history.

(56) **References Cited**

U.S. PATENT DOCUMENTS

4,969,647	A *	11/1990	Mical et al.	463/31
D320,624	S *	10/1991	Taylor	D21/331
D325,225	S	4/1992	Adhida		
5,178,477	A	1/1993	Gambaro		
5,207,426	A *	5/1993	Inoue et al.	463/36

D338,242	S *	8/1993	Cordell	D14/401
5,259,626	A *	11/1993	Ho	463/37
D345,164	S *	3/1994	Grae	D14/401
5,332,322	A	7/1994	Gambaro		
D350,782	S	9/1994	Barr		
D351,430	S	10/1994	Barr		
D360,903	S *	8/1995	Barr et al.	D14/401

(Continued)

Primary Examiner—Prabhakar Deshmukh

(74) *Attorney, Agent, or Firm*—Nixon & Vanderhye, PC

(57) **CLAIM**

The ornamental design for a controller for electronic game machine, as shown and described.

DESCRIPTION

FIG. 1 is a front, bottom and right perspective view of a controller for electronic game machine showing a first embodiment of our new design;

FIG. 2 is a rear, top and left perspective view thereof;

FIG. 3 is a front view thereof;

FIG. 4 is a rear view thereof;

FIG. 5 is a right side view thereof, a left side view being a mirror image thereof;

FIG. 6 is a top plan view thereof;

FIG. 7 is a bottom plan view thereof;

FIG. 8 is a front, bottom and left perspective view of a controller for electronic game machine showing a second embodiment of our new design;

FIG. 9 is a rear, top and right t perspective view thereof;

FIG. 10 is a front view thereof;

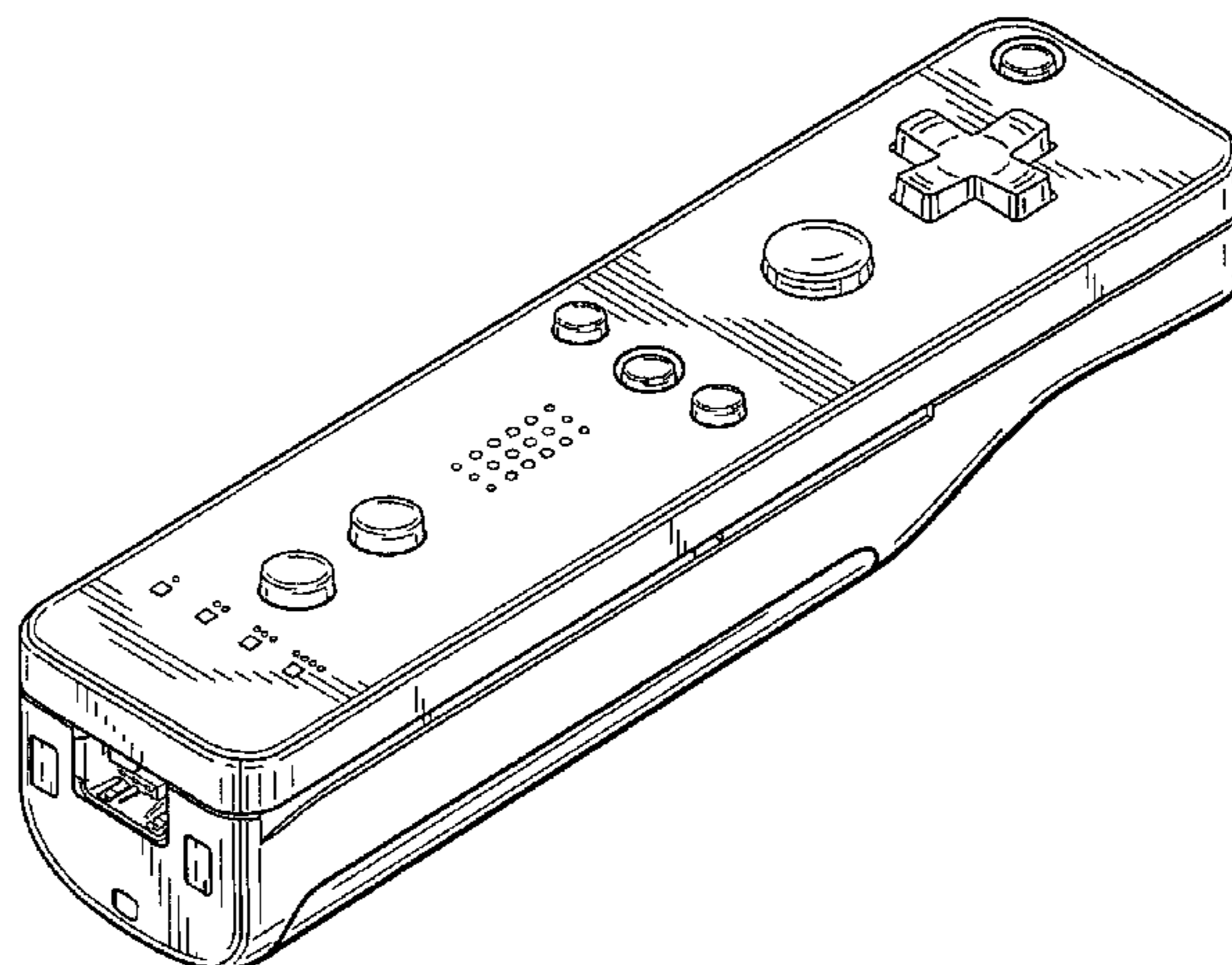
FIG. 11 is a rear view thereof;

FIG. 12 is a right side view thereof, a left side view being a mirror image thereof;

FIG. 13 is a top plan view thereof; and,

FIG. 14 is bottom plan view thereof.

1 Claim, 6 Drawing Sheets



US D559,254 S

Page 2

U.S. PATENT DOCUMENTS

5,523,800	A *	6/1996	Dudek	348/734	D405,071	S	2/1999	Gambaro	
D375,326	S	11/1996	Yokoi et al.		5,900,867	A	5/1999	Schindler et al.	
D376,826	S	12/1996	Ashida		D456,410	S	4/2002	Ashida	
5,643,087	A *	7/1997	Marcus et al.	463/38	D456,854	S	5/2002	Ashida	
5,724,106	A	3/1998	Autry et al.		D459,727	S	7/2002	Ashida	
5,769,719	A *	6/1998	Hsu	463/37	D462,683	S	9/2002	Ashida	
5,785,317	A *	7/1998	Sasaki	273/148 B	D502,468	S *	3/2005	Knight et al.	D14/400
D397,162	S	8/1998	Yokoi et al.		D505,424	S	5/2005	Ashida et al.	

* cited by examiner

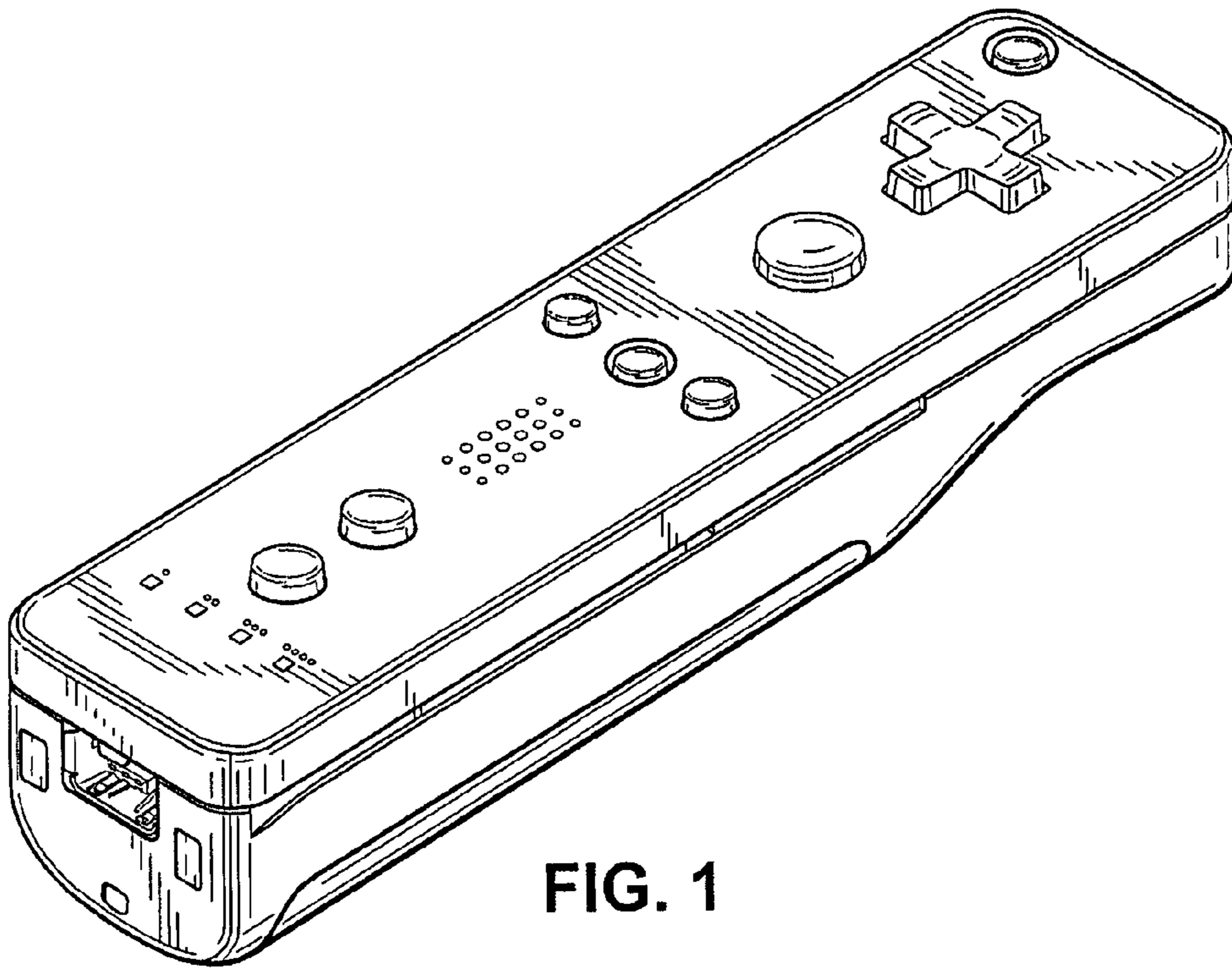


FIG. 1

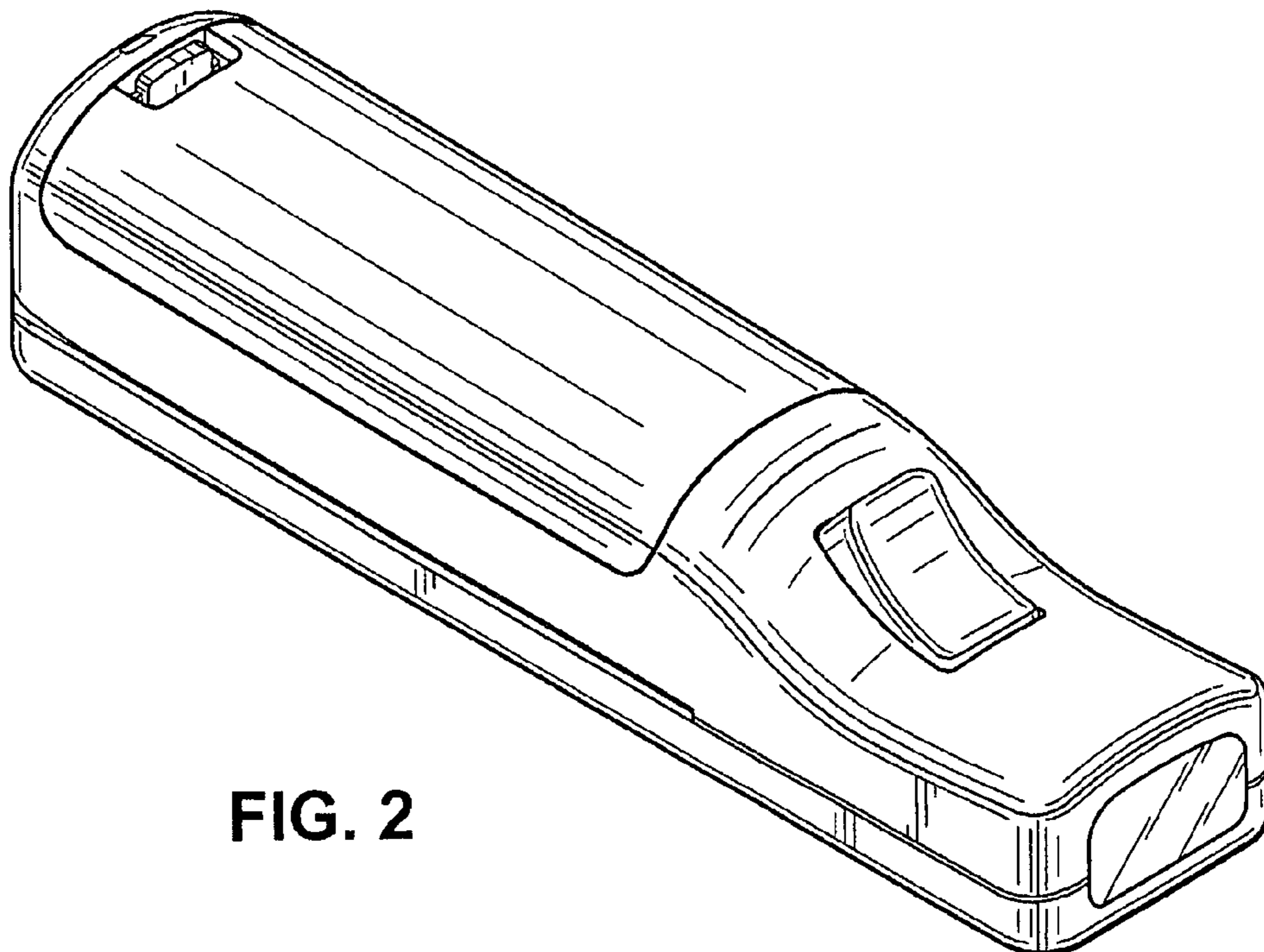


FIG. 2

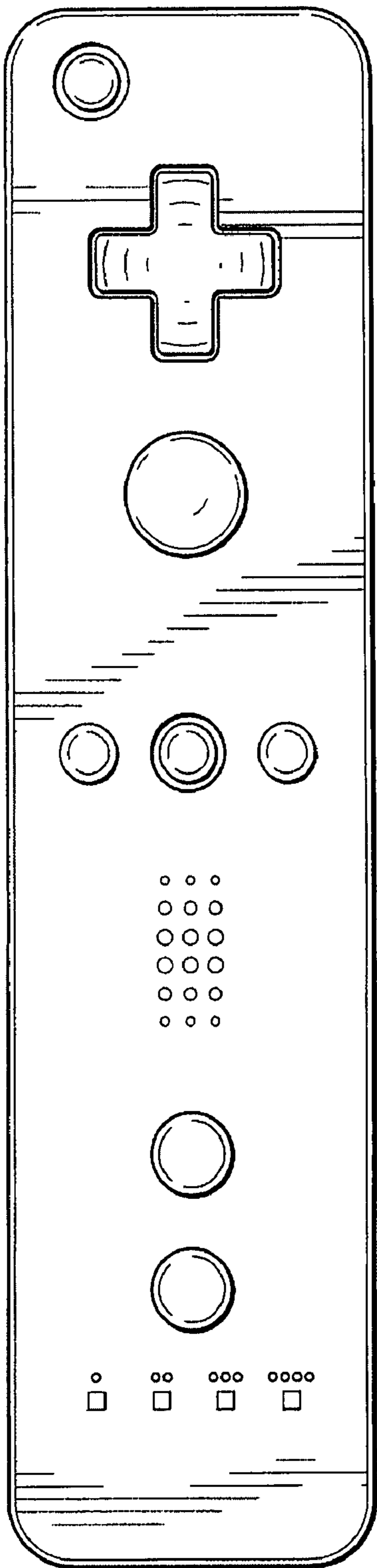


FIG. 3

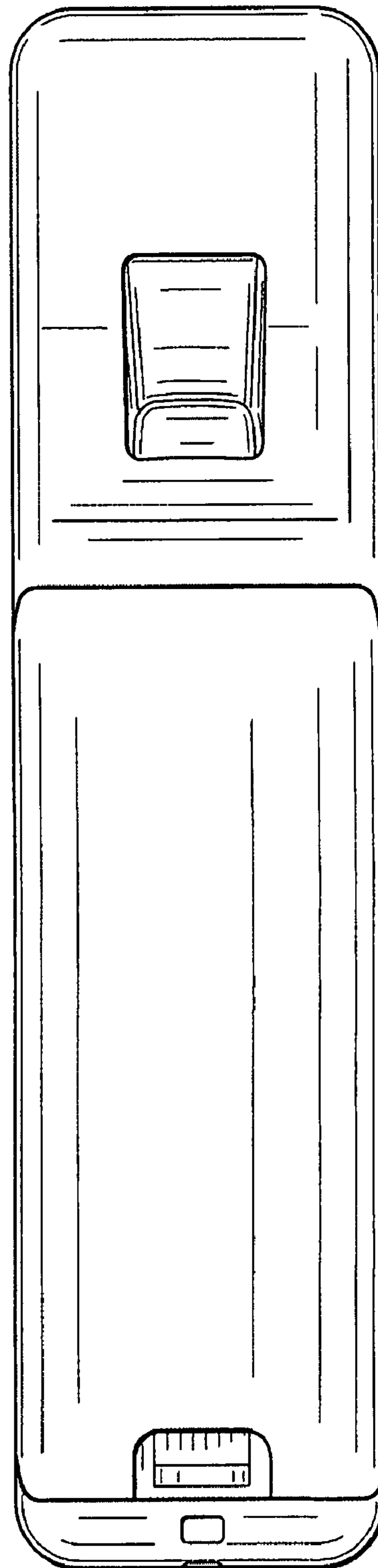


FIG. 4

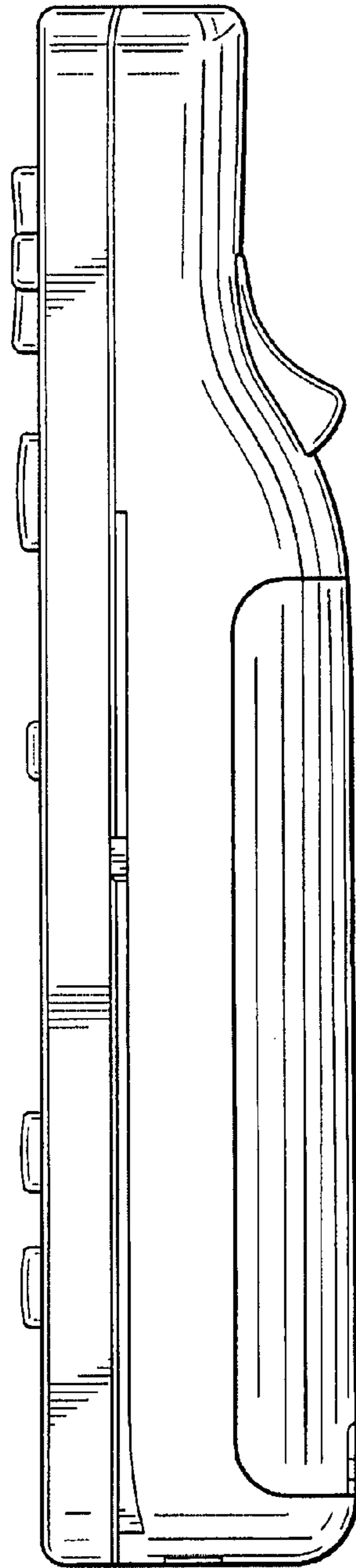


FIG. 5

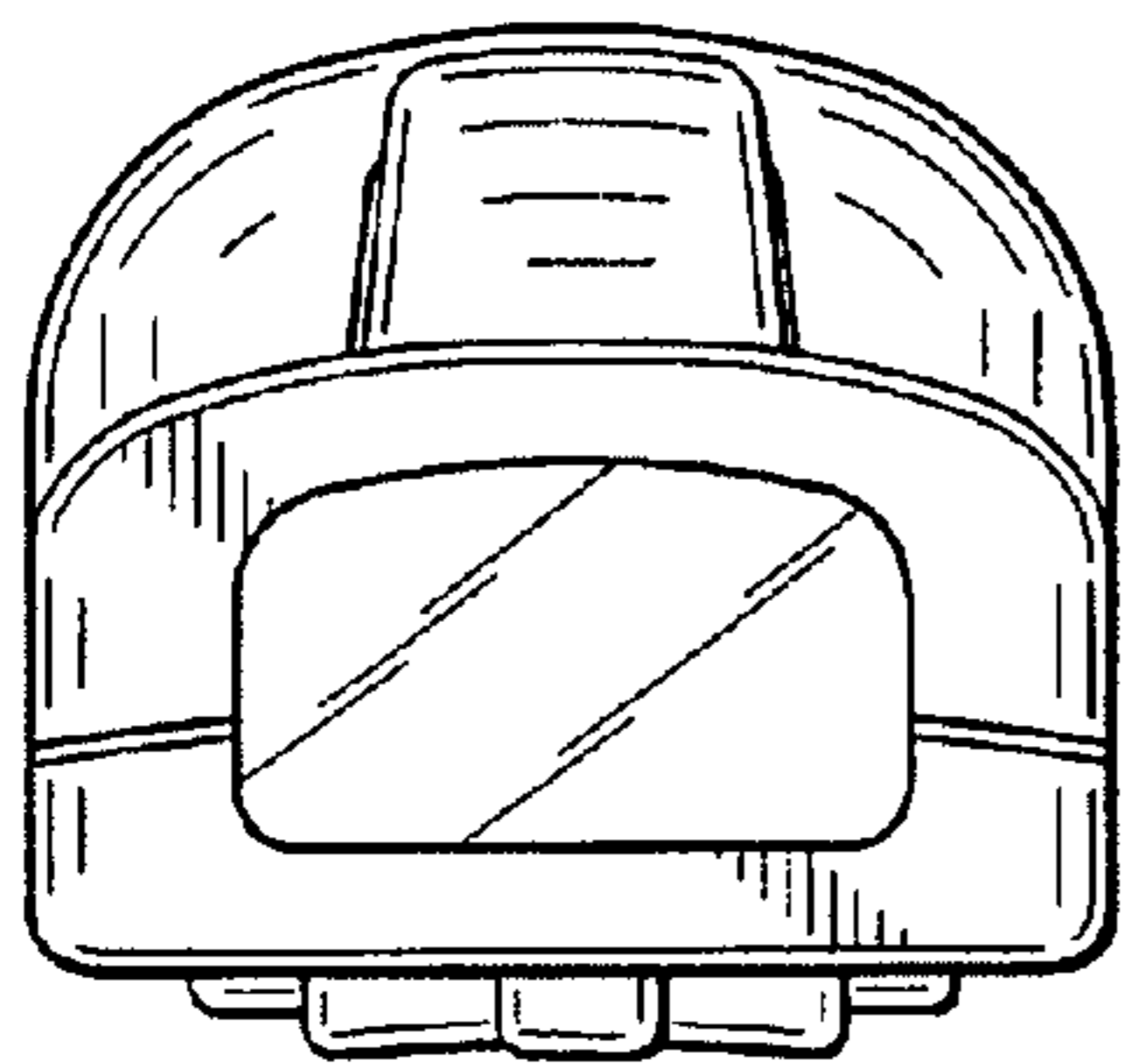


FIG. 6

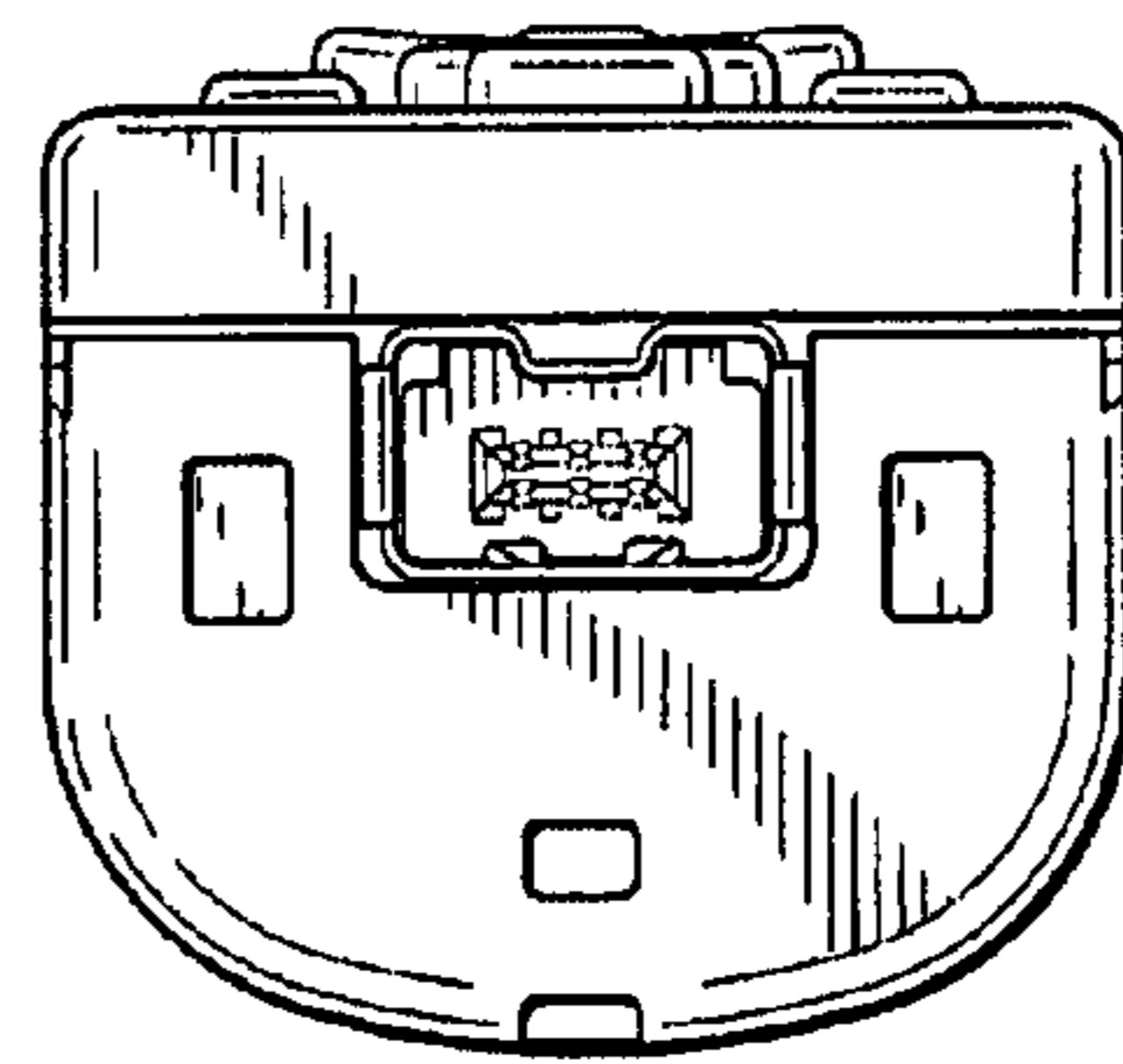


FIG. 7

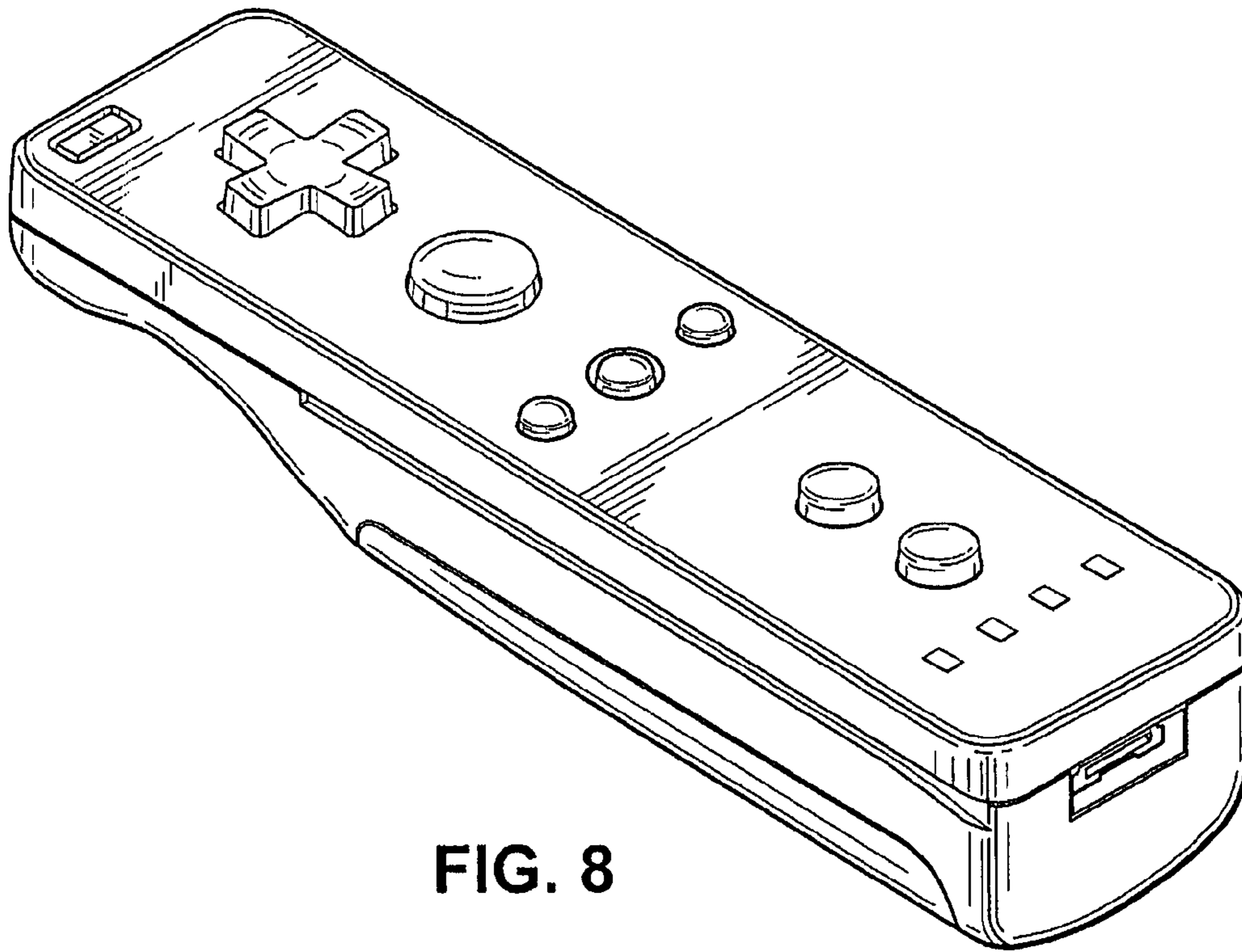


FIG. 8

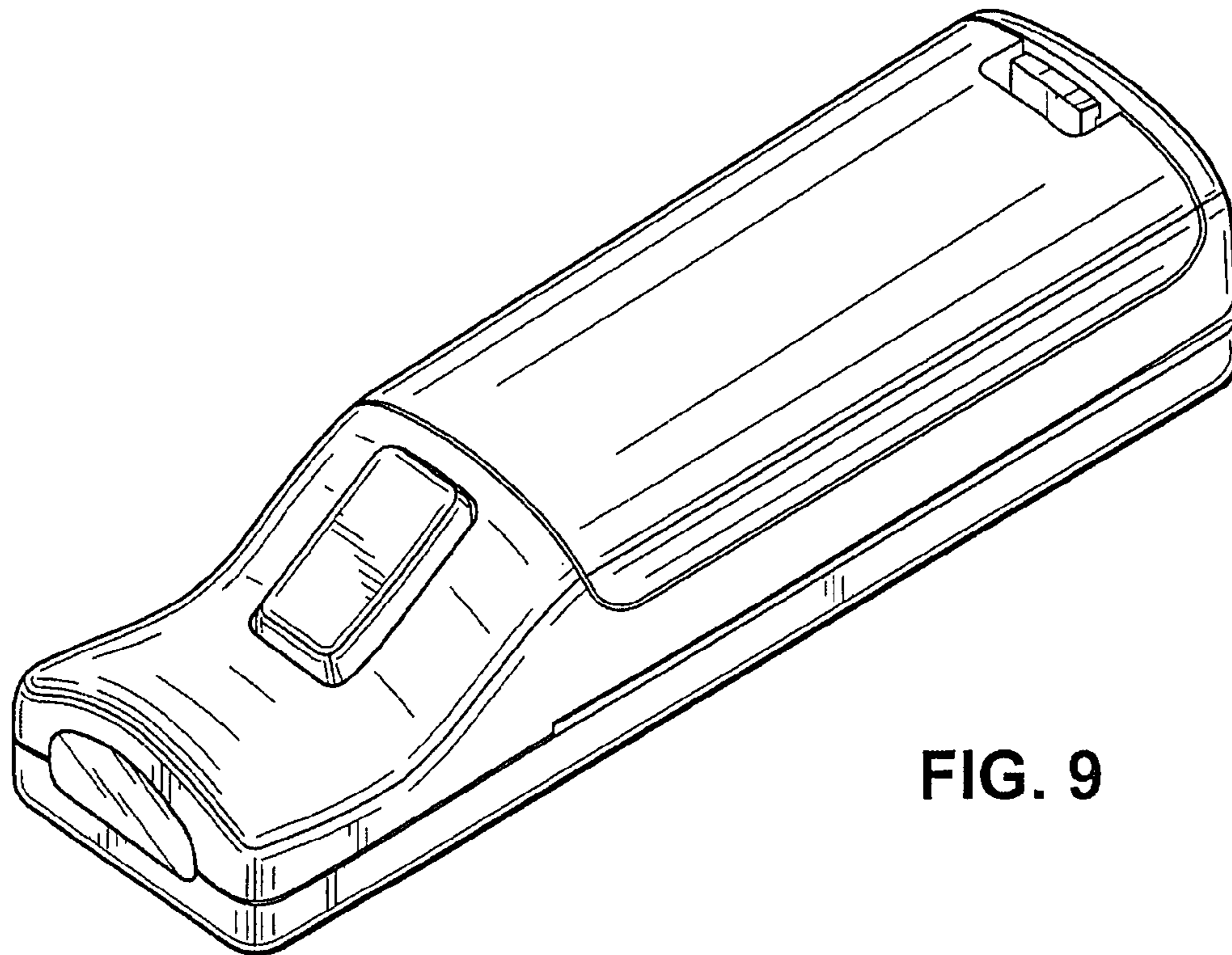


FIG. 9

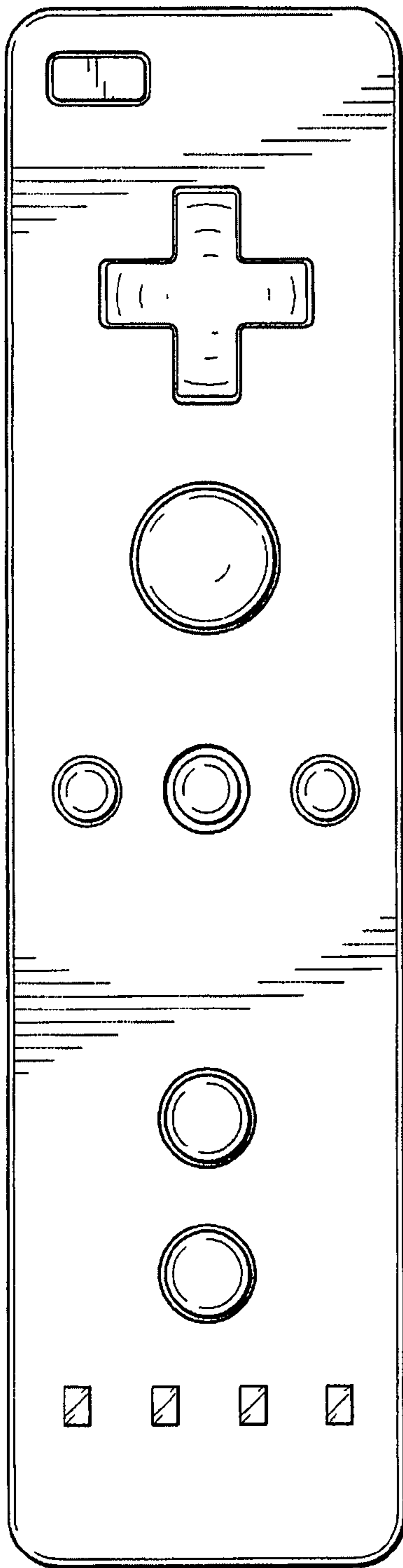


FIG. 10

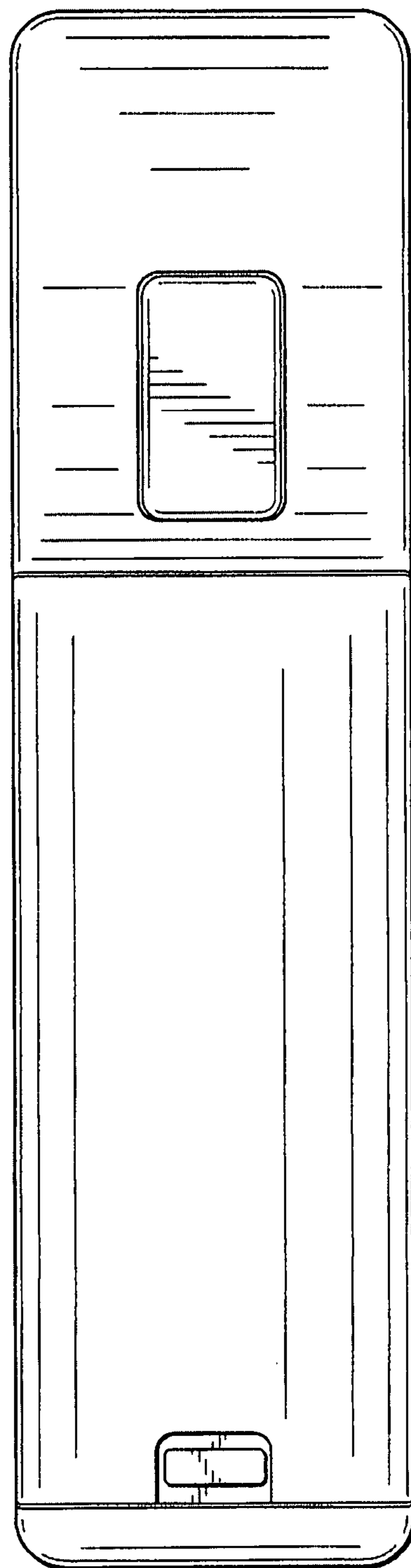


FIG. 11

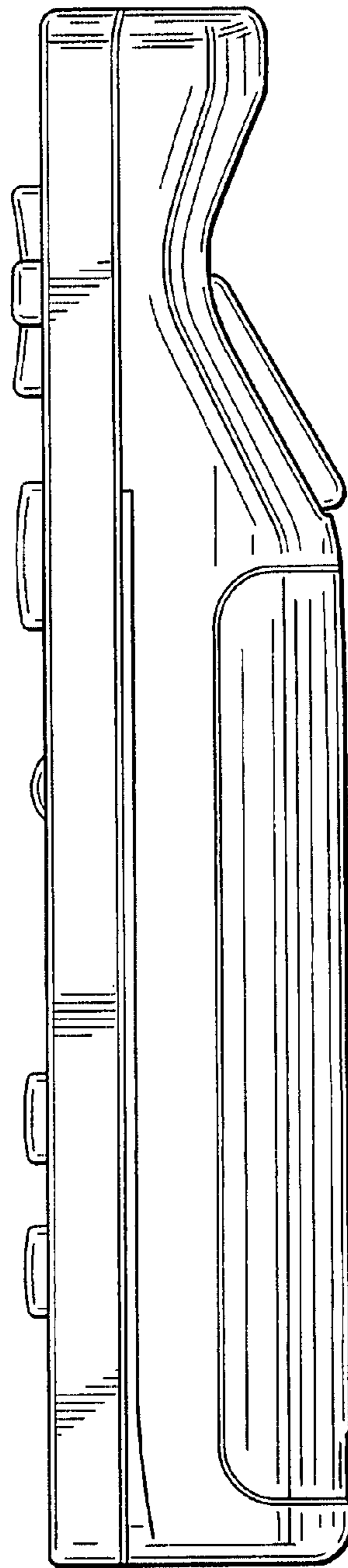


FIG. 12

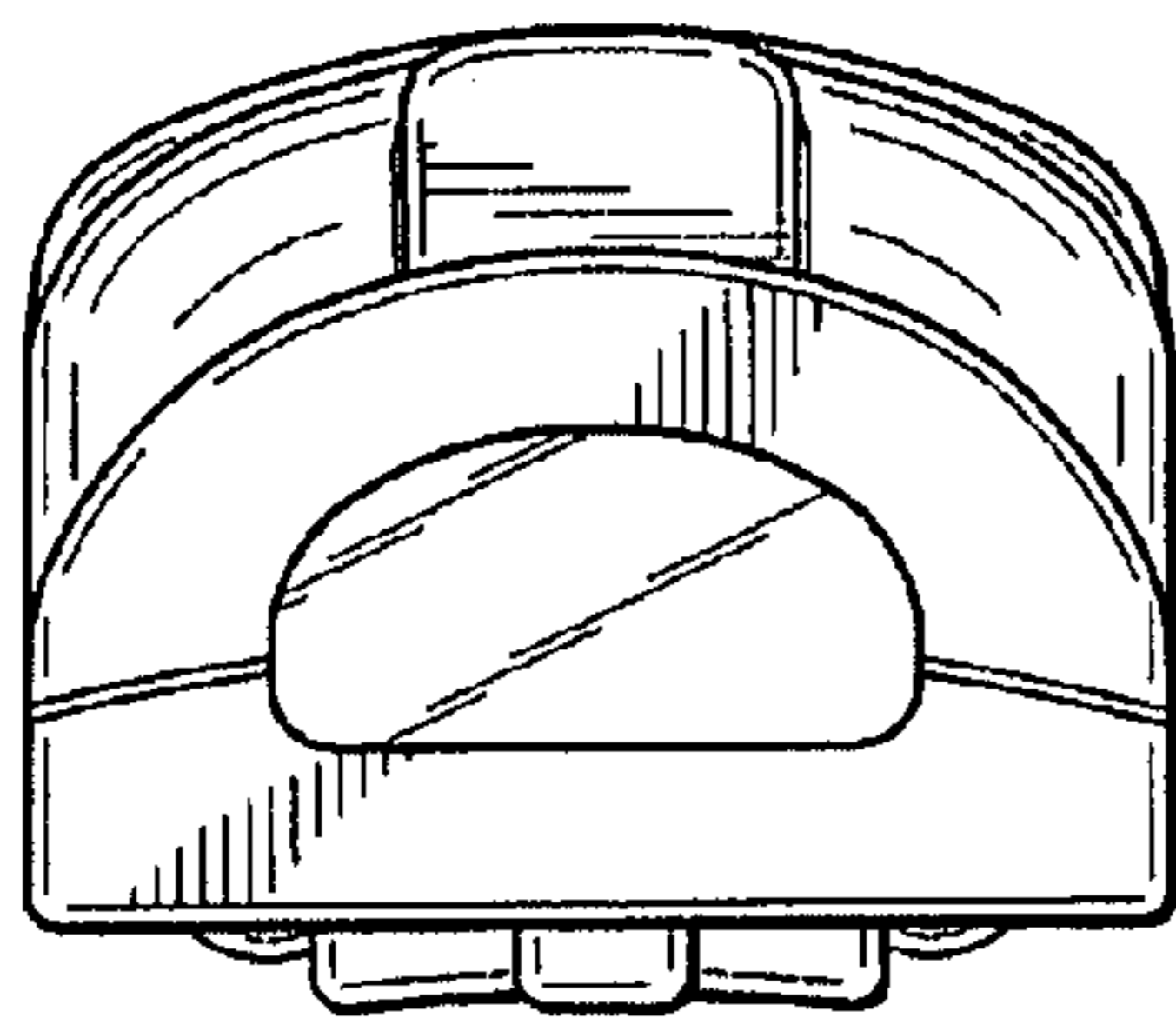


FIG. 13

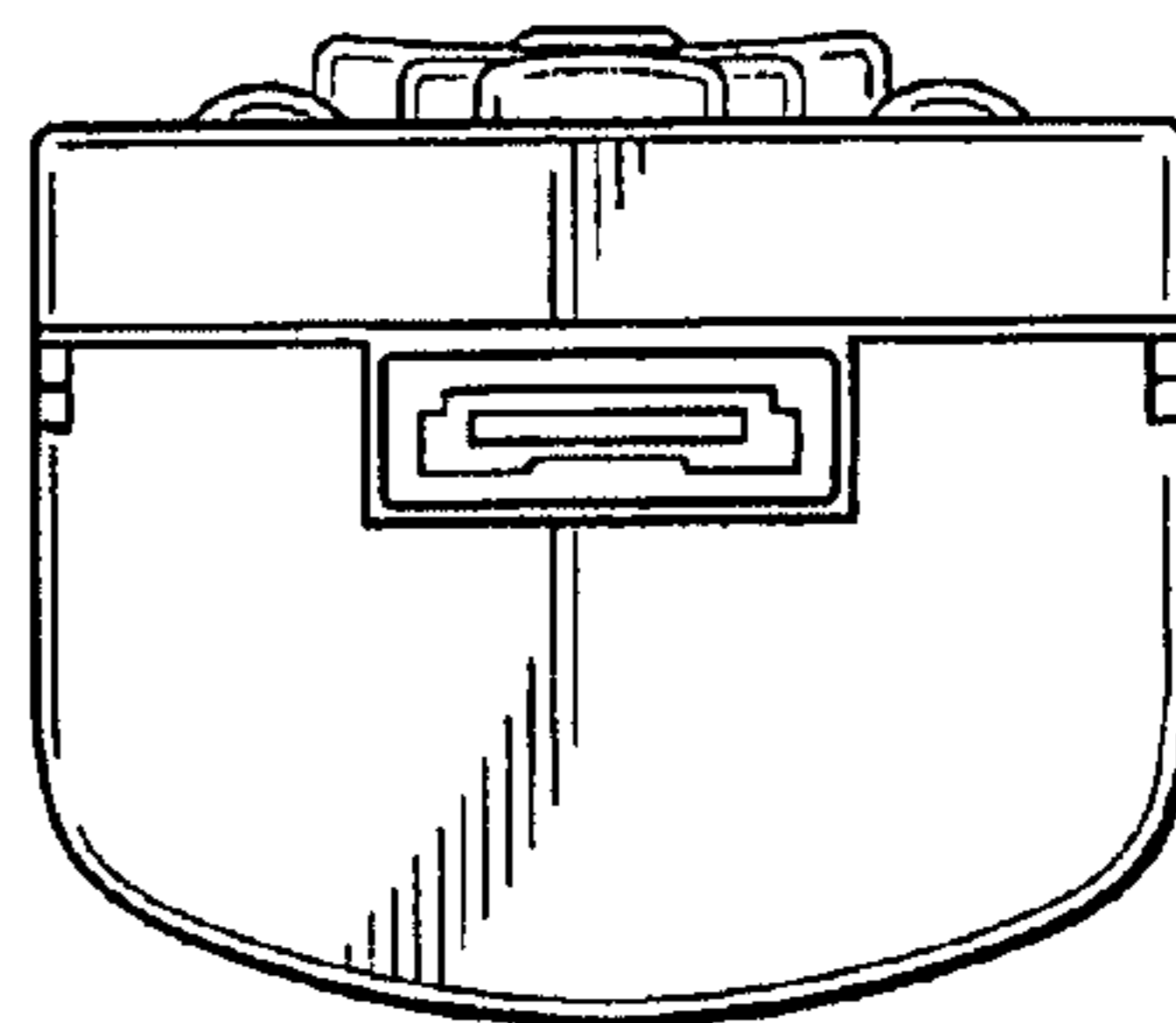


FIG. 14