



US00D559250S

(12) **United States Design Patent**
Pombo

(10) **Patent No.:** **US D559,250 S**
(45) **Date of Patent:** **** Jan. 8, 2008**

(54) **VIEWING DEVICE**

(75) Inventor: **Stephen A. Pombo**, Campbell, CA (US)

(73) Assignee: **Kopin Corporation**, Taunton, MA (US)

(**) Term: **14 Years**

(21) Appl. No.: **29/270,618**

(22) Filed: **Dec. 28, 2006**

(51) **LOC (8) Cl.** **14-02**

(52) **U.S. Cl.** **D14/372; D16/330**

(58) **Field of Classification Search** D16/330;
D14/371, 372, 432, 449, 496; 2/422; 345/8;
351/158, 210; 359/482, 632; 348/180, 184
See application file for complete search history.

(56) **References Cited**

U.S. PATENT DOCUMENTS

3,170,979	A *	2/1965	Baldwin et al.	359/632
4,156,292	A *	5/1979	Helm et al.	2/422
5,003,300	A	3/1991	Wells		
D337,320	S *	7/1993	Hunter et al.	D14/372
5,345,281	A *	9/1994	Taboada et al.	351/210
D371,549	S *	7/1996	Ronzani et al.	D14/372
D392,629	S *	3/1998	Amafuji et al.	D14/372
5,739,797	A *	4/1998	Karasawa et al.	345/8
5,742,263	A *	4/1998	Wang et al.	345/8
5,796,374	A *	8/1998	Cone et al.	345/8
5,815,126	A	9/1998	Fan et al.		
D402,651	S *	12/1998	Depay et al.	D14/372
6,034,653	A	3/2000	Robertson et al.		
D429,253	S *	8/2000	Robertson et al.	D14/496
6,359,602	B1	3/2002	Amafuji et al.		

6,803,885	B1 *	10/2004	Guttag et al.	345/8
6,972,903	B2 *	12/2005	Hara et al.	359/482
D517,066	S *	3/2006	Travers et al.	D14/372
7,097,300	B2 *	8/2006	Himmele	351/158
D537,078	S *	2/2007	Tanaka et al.	D14/372
2002/0021407	A1 *	2/2002	Elliott	351/158
2002/0159024	A1 *	10/2002	Chang	351/158

* cited by examiner

Primary Examiner—T. Chase Nelson

Assistant Examiner—Barbara B Lohr

(74) *Attorney, Agent, or Firm*—Hamilton, Brook, Smith & Reynolds, P.C.

(57) **CLAIM**

The ornamental design for a viewing device, as shown and described.

DESCRIPTION

FIG. 1 is a front perspective view of the viewing device embodying the present design.

FIG. 2 is a front view of the viewing device.

FIG. 3 is a left side view of the viewing device.

FIG. 4 is a right side view of the viewing device.

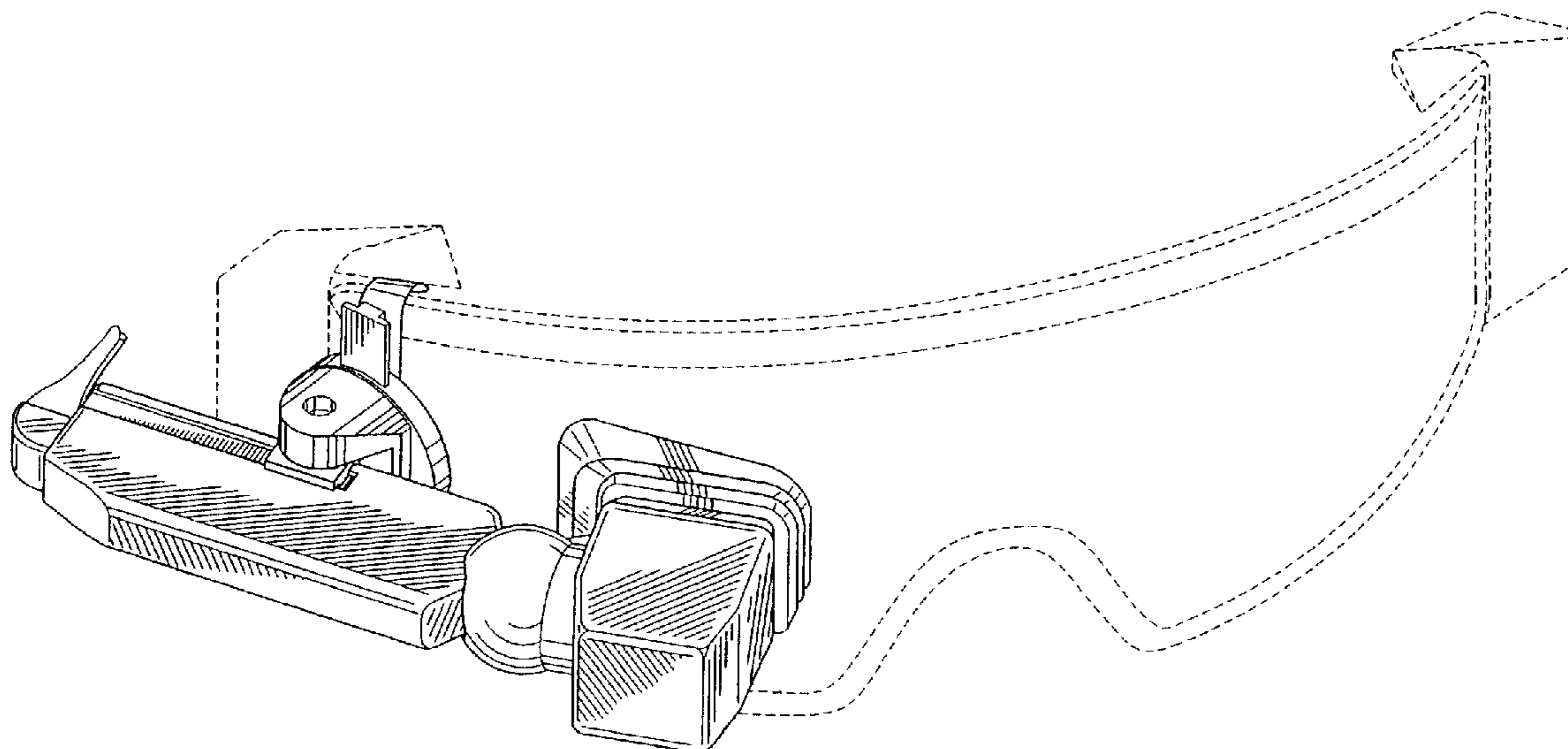
FIG. 5 is a rear view of the viewing device.

FIG. 6 is a top view of the viewing device; and,

FIG. 7 is a bottom view of the viewing device.

The broken line showing of environmental structure is for illustrative purposes only and forms no part of the claimed design.

1 Claim, 6 Drawing Sheets



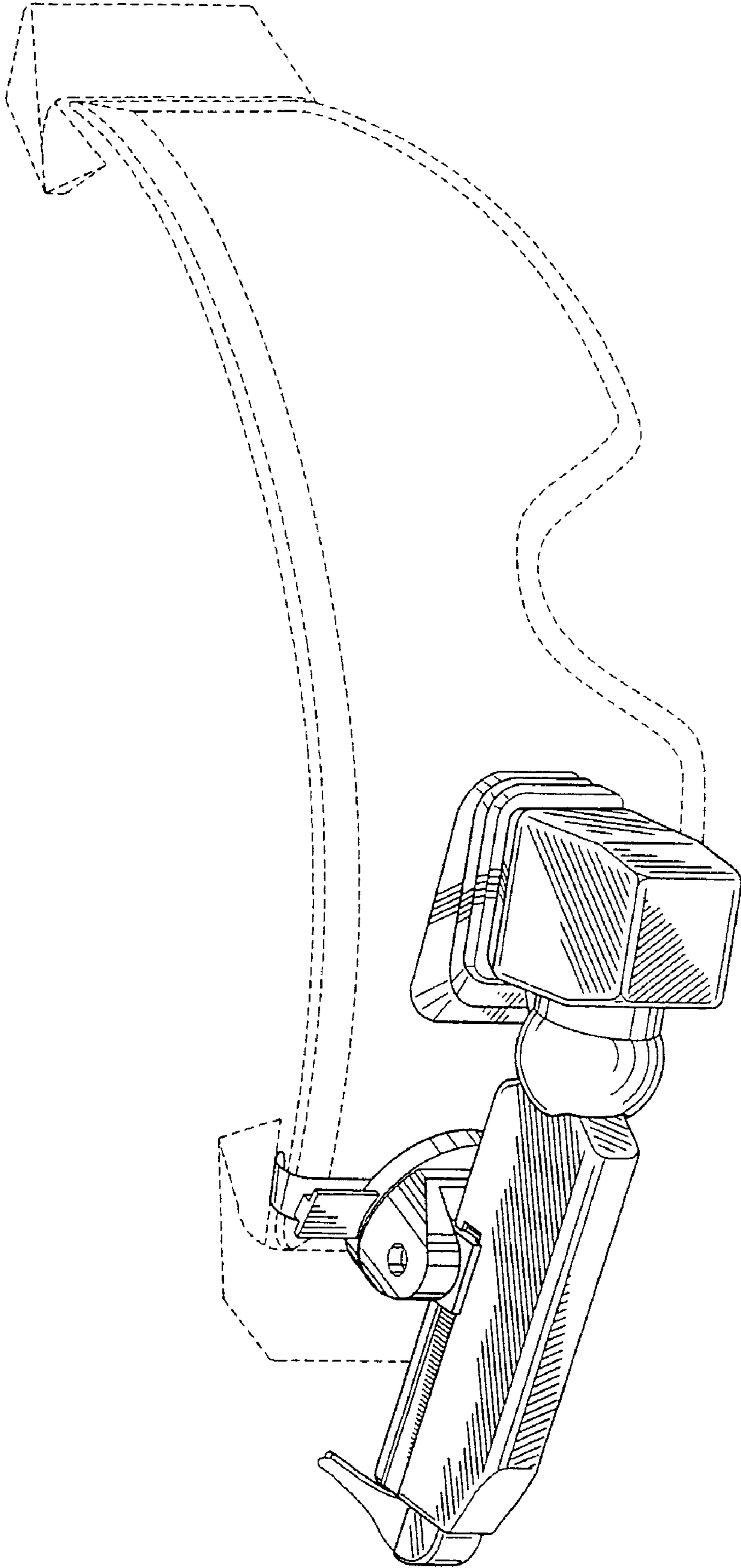


FIG. 1

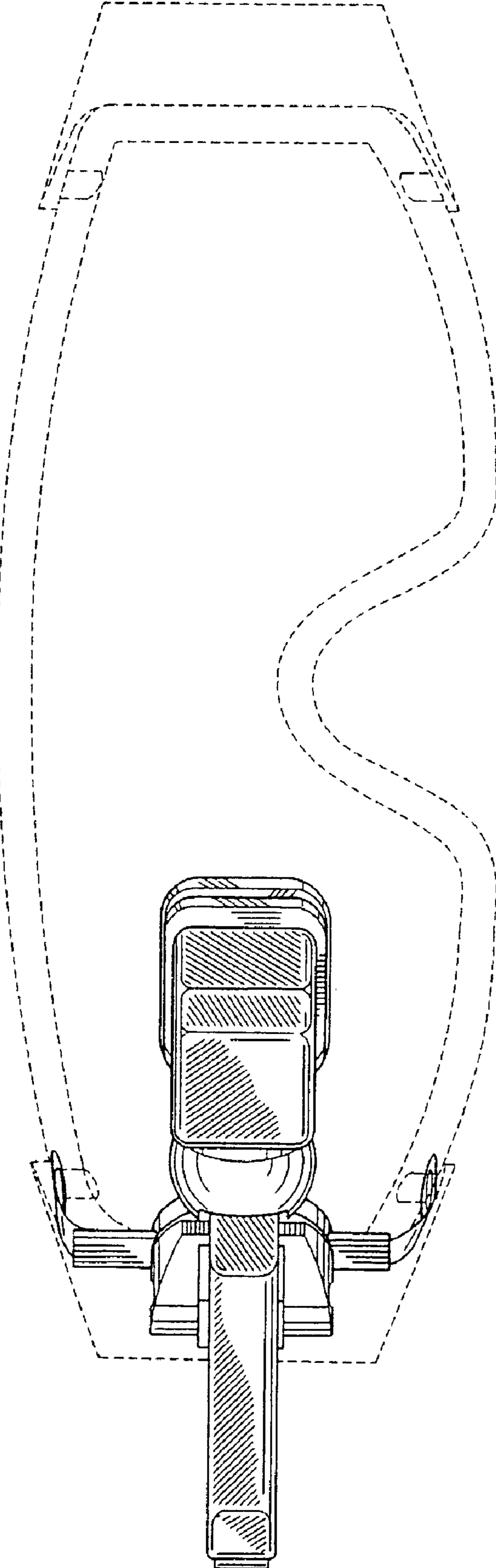


FIG. 2

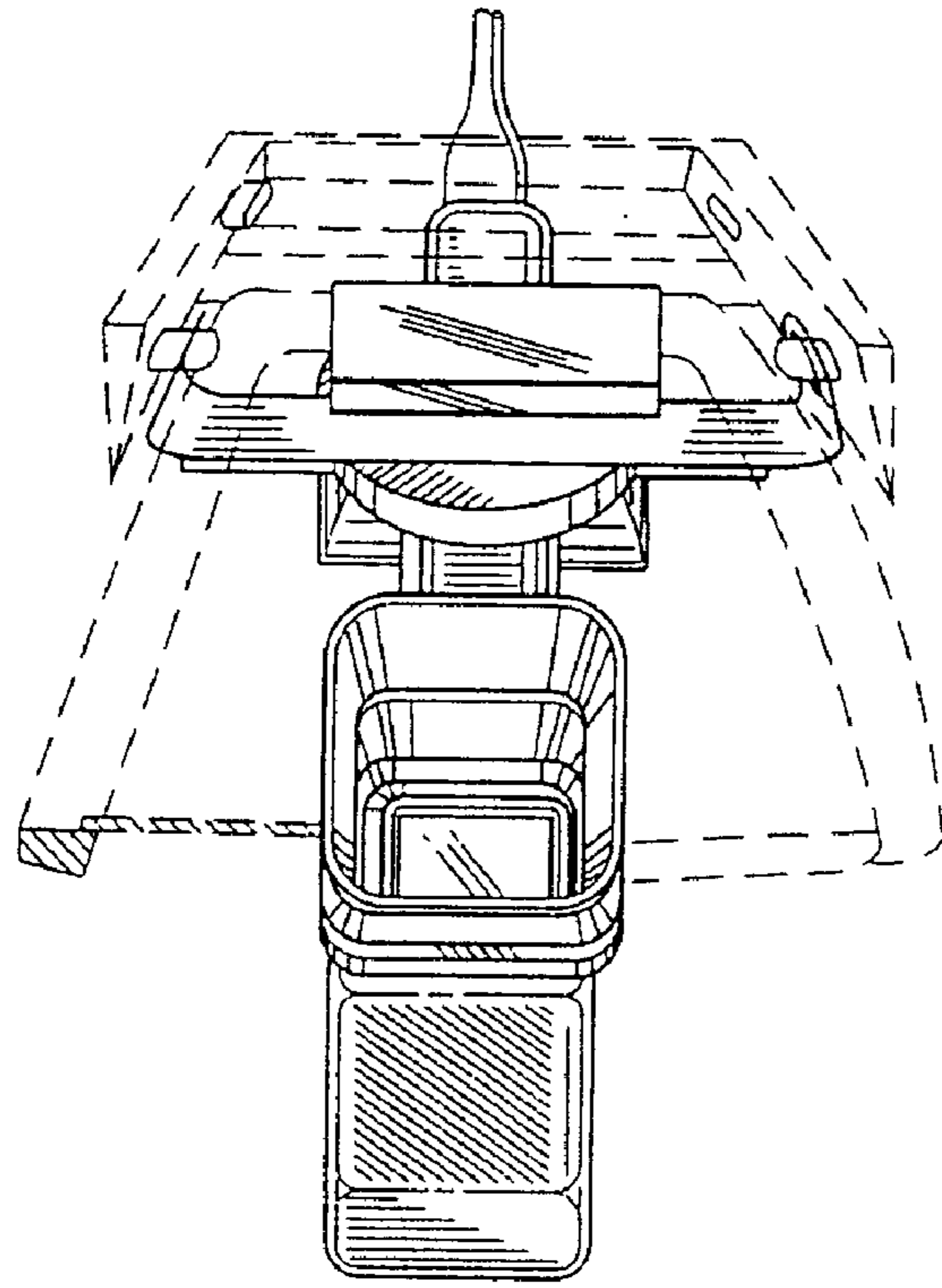


FIG. 4

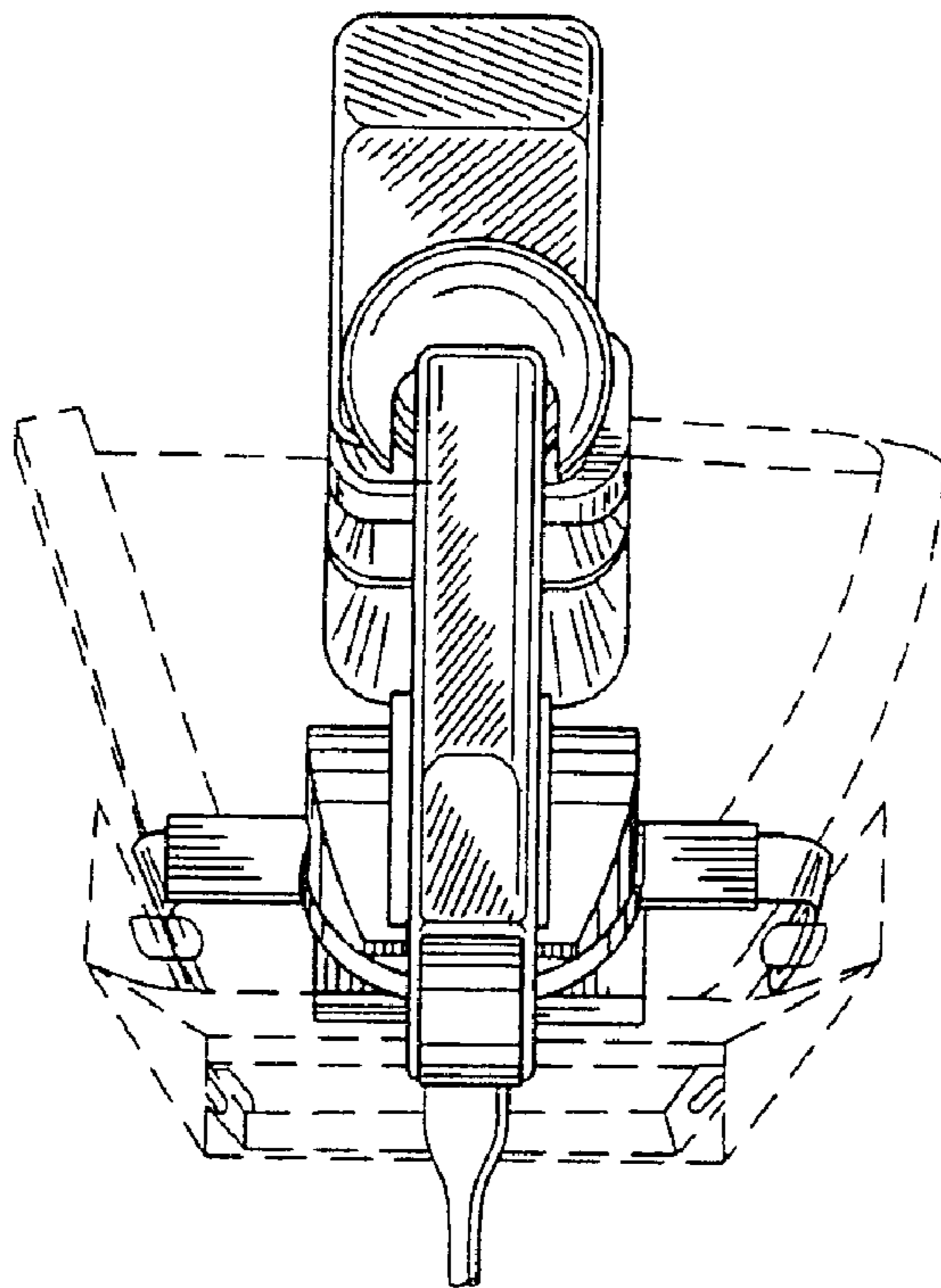


FIG. 3

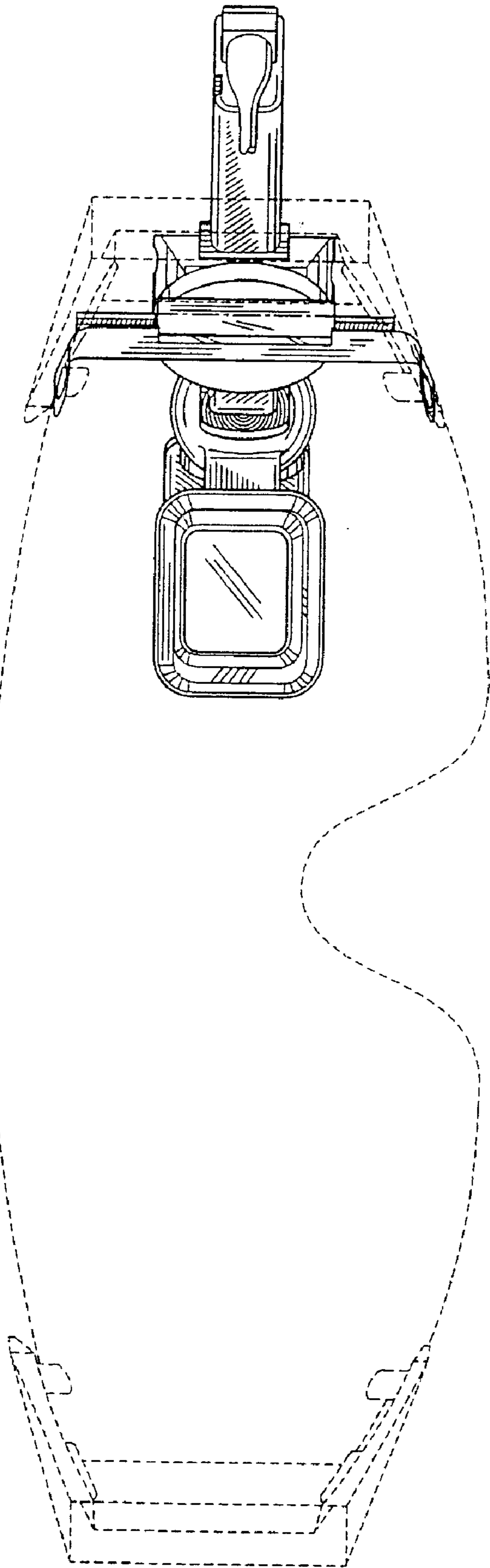


FIG. 5

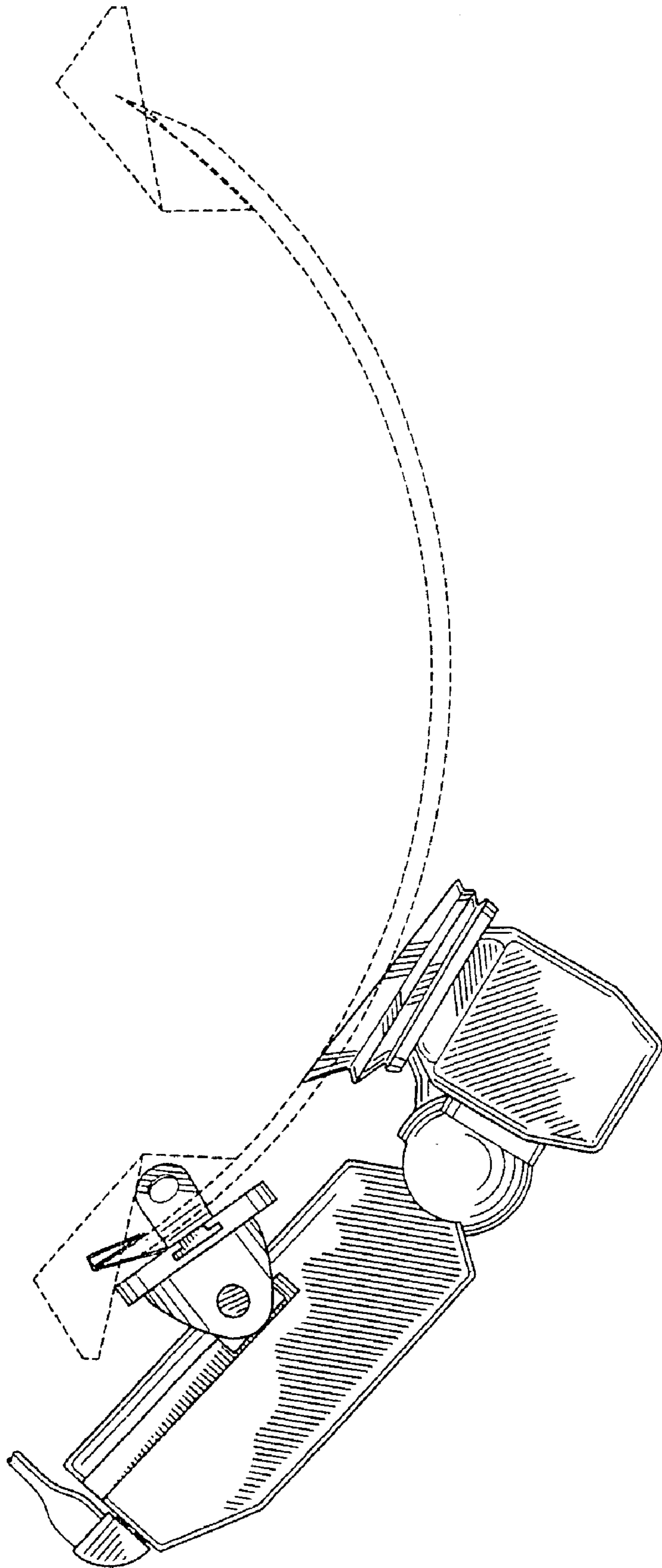


FIG. 6

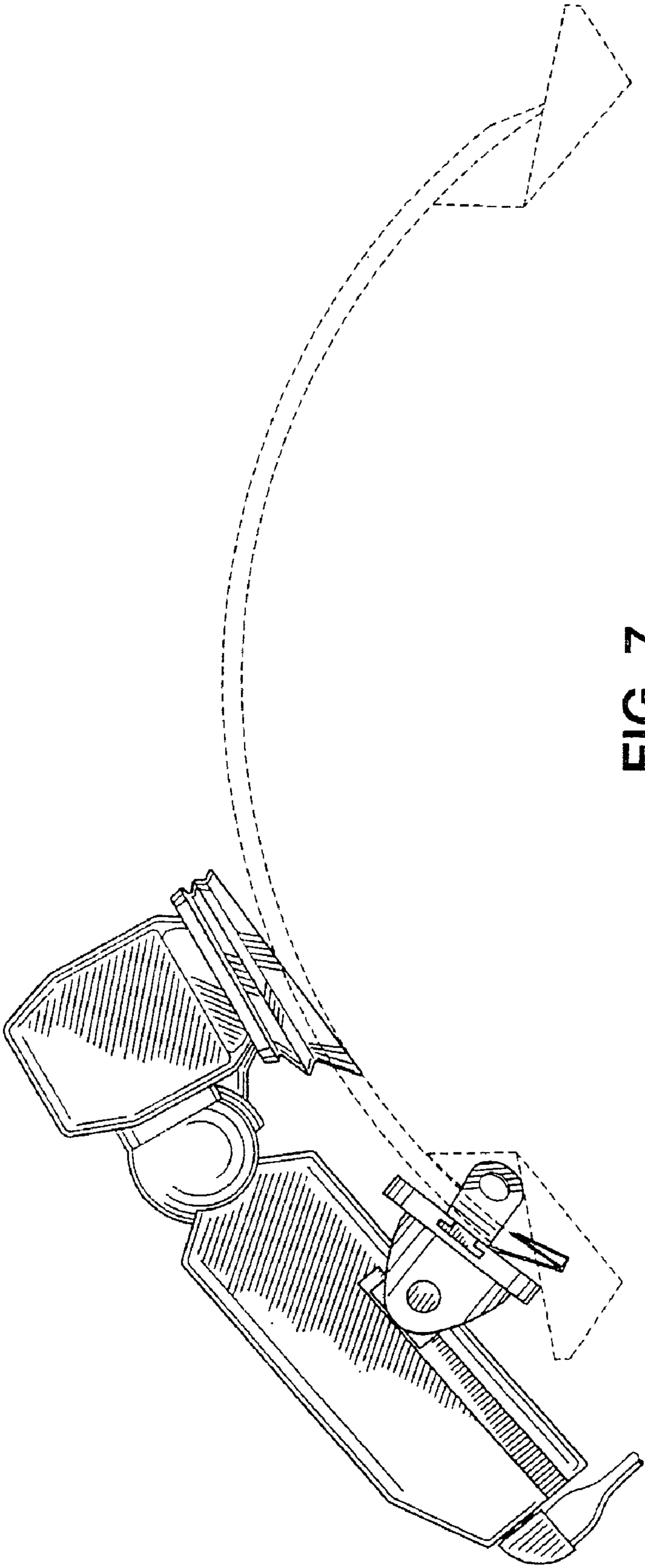


FIG. 7