



US00D559242S

(12) **United States Design Patent**
Potosky et al.

(10) **Patent No.:** **US D559,242 S**
(45) **Date of Patent:** **** Jan. 8, 2008**

(54) **AUDIO COMPONENT FACE**

(75) Inventors: **Scott Potosky**, Granger, IN (US);
Kevin Giannini, Osceola, IN (US);
Ernest Bird, Osceola, IN (US)

(73) Assignee: **Harman International Industries, Incorporated**, Northridge, CA (US)

(**) Term: **14 Years**

(21) Appl. No.: **29/278,753**

(22) Filed: **Apr. 9, 2007**

(51) **LOC (8) Cl.** **14-01**

(52) **U.S. Cl.** **D14/257**

(58) **Field of Classification Search** D14/257,
D14/258, 224, 217, 198, 197, 193, 192, 188,
D14/168, 167, 165, 164, 163, 162, 161, 160,
D14/157, 156, 154, 136, 135; 720/691, 658,
720/270; 455/344, 575.1; 396/434, 93;
386/1; 369/93, 75.1; 360/47, 4; 359/550,
359/258; 349/460, 159, 10

See application file for complete search history.

(56) **References Cited**

U.S. PATENT DOCUMENTS

D394,845 S * 6/1998 Hirsbrunner et al. D13/184

* cited by examiner

Primary Examiner—Robert M. Spear

Assistant Examiner—Katrina A Kile

(74) *Attorney, Agent, or Firm*—Plumsea Law Group, LLC

(57) **CLAIM**

The ornamental design for an audio component face, as shown and described.

DESCRIPTION

FIG. 1 is a perspective view of an audio component face showing our new design;

FIG. 2 is a plan view thereof;

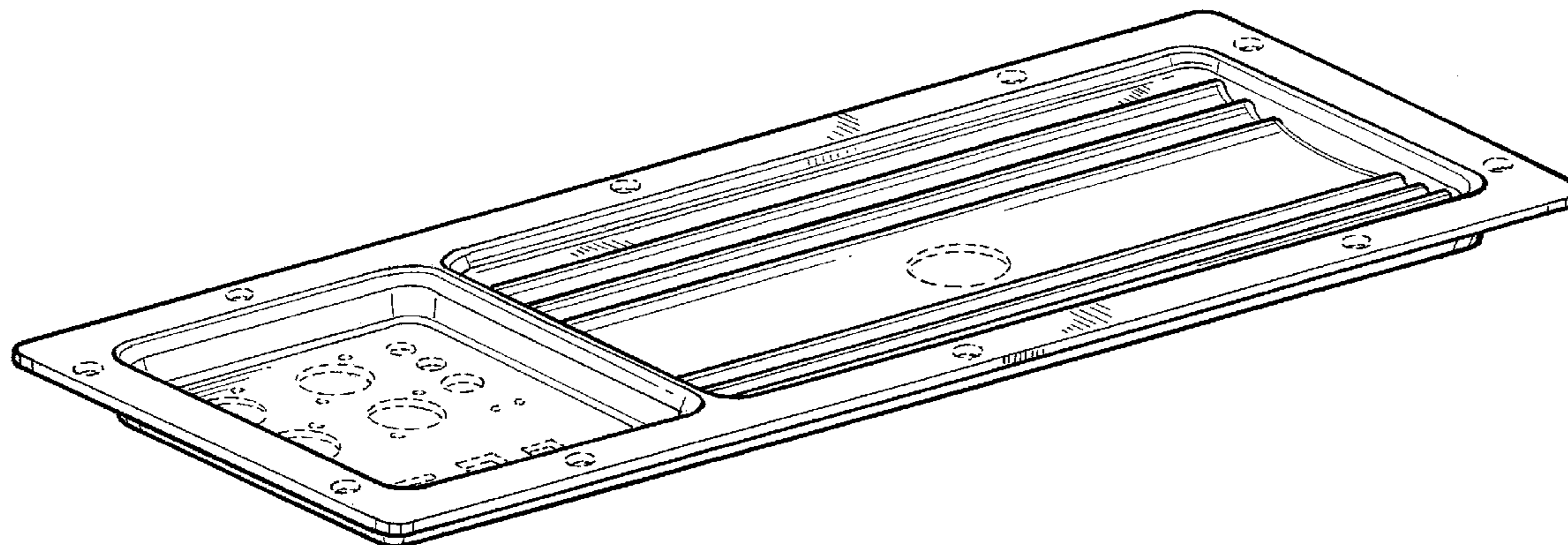
FIG. 3 is a side elevational view, the opposite side elevational view being a mirror image thereof;

FIG. 4 is an end elevational view, the opposite end elevational view being a mirror image thereof; and,

FIG. 5 is a rear plan view showing the opposite side of the view in FIG. 2.

The broken line showings of the small circles along the peripheral lip, the circle in the central area, and the cluster of circles and rectangles in the smaller rectangular area are for illustrative purposes only and form no part of the claimed design.

1 Claim, 4 Drawing Sheets



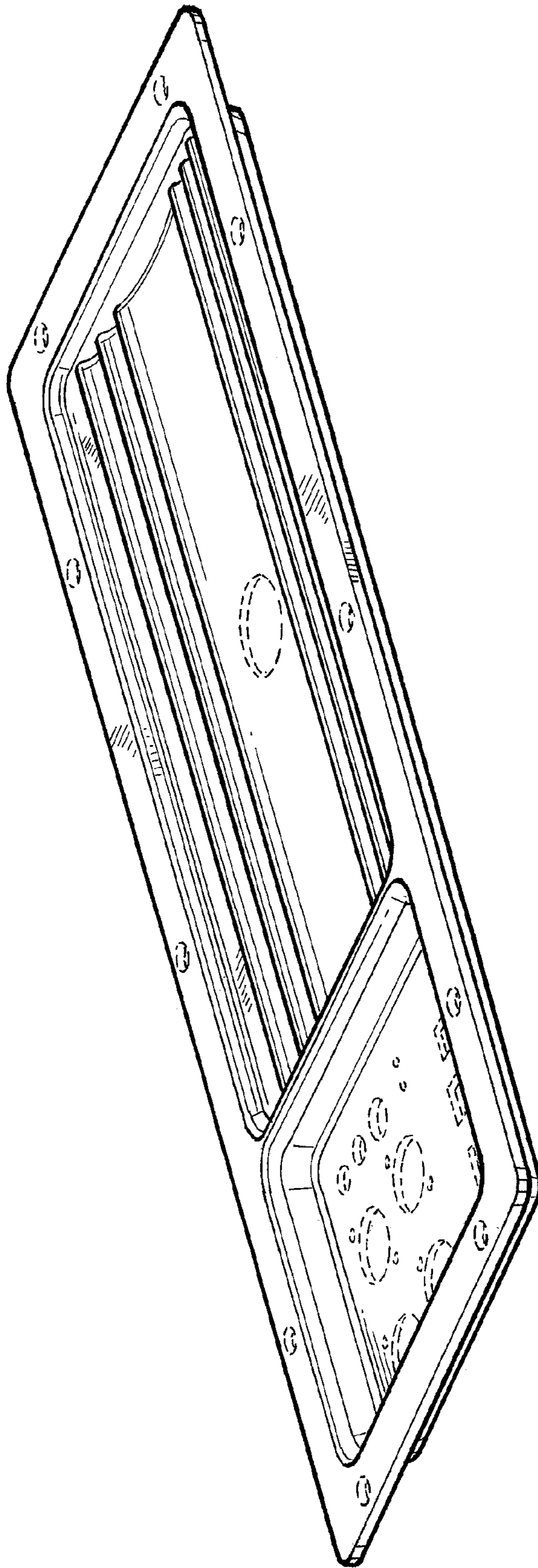


FIG. 1

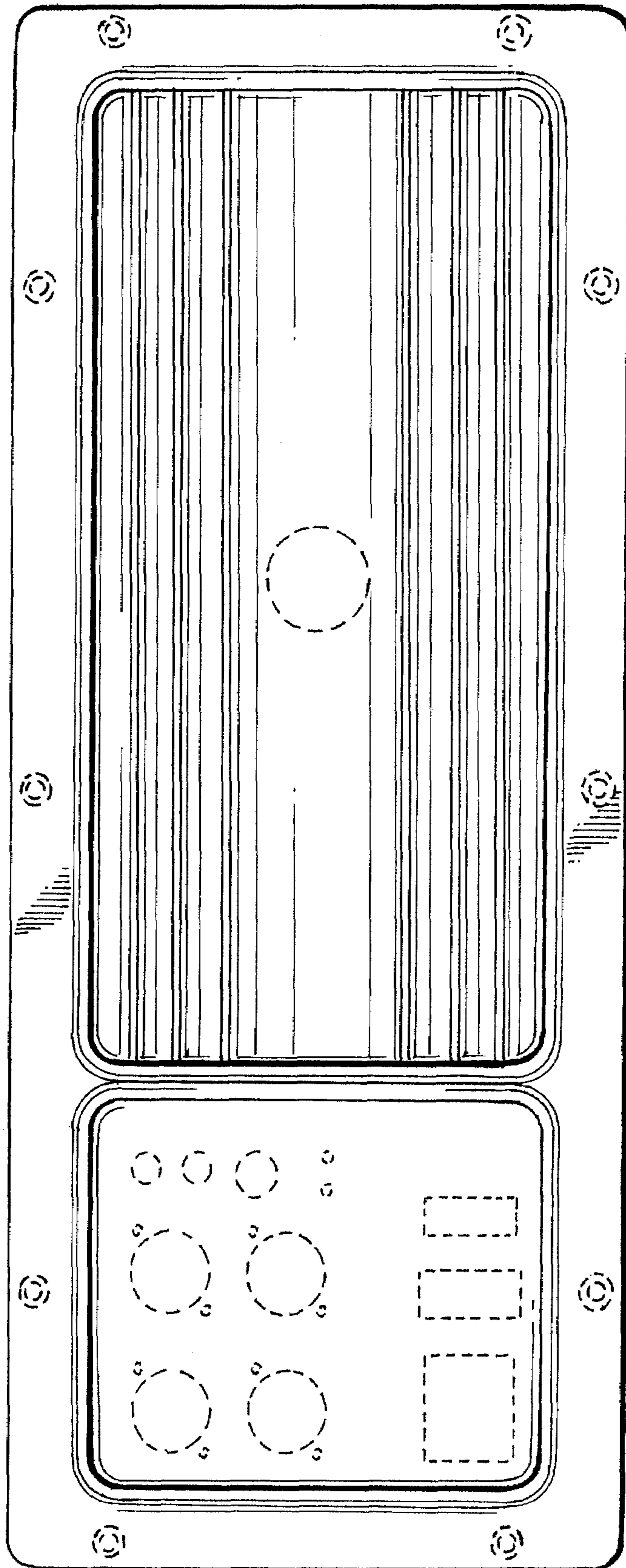


FIG. 2

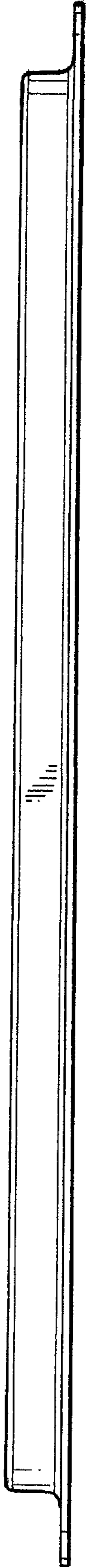


FIG. 3



FIG. 4

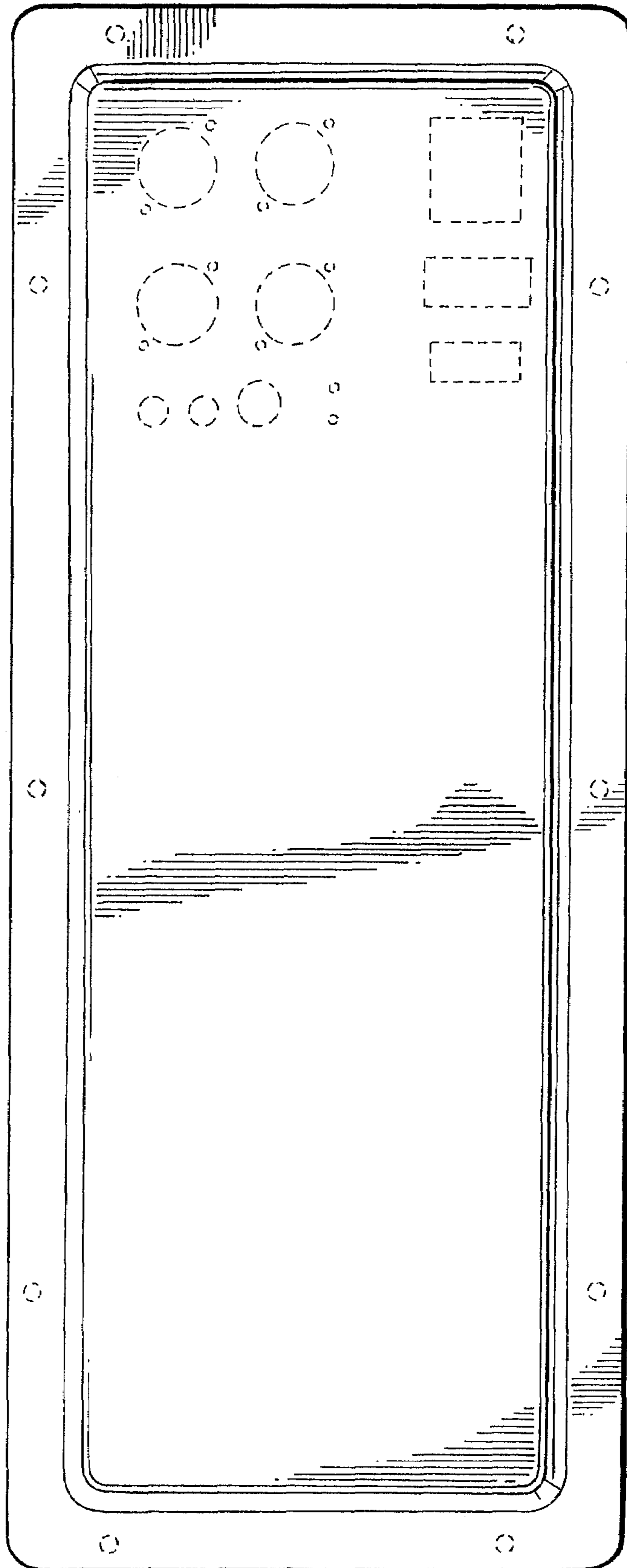


FIG. 5