



US00D559241S

(12) **United States Design Patent**
Paradise

(10) **Patent No.:** **US D559,241 S**

(45) **Date of Patent:** **** Jan. 8, 2008**

(54) **FACE PLATE FOR A SET TOP BOX**

D469,428 S * 1/2003 Senda et al. D14/257

D530,294 S * 10/2006 Ryu D14/136

D531,189 S * 10/2006 Depay et al. D14/496

(75) Inventor: **Michael F. Paradise**, Chicago, IL (US)

(73) Assignee: **General Instrument Corporation**,
Horsham, PA (US)

* cited by examiner

(**) Term: **14 Years**

Primary Examiner—Robert M. Spear

Assistant Examiner—Katrina A Kile

(21) Appl. No.: **29/278,332**

(74) *Attorney, Agent, or Firm*—Benjamin D. Driscoll

(22) Filed: **Mar. 26, 2007**

(57) **CLAIM**

(51) **LOC (8) Cl.** **14-01**

(52) **U.S. Cl.** **D14/257**

(58) **Field of Classification Search** D14/257,

D14/258, 224, 217, 198, 197, 193, 192, 188,

D14/168, 167, 165, 164, 163, 162, 161, 160,

D14/157, 156, 154, 136, 135; 720/691, 658,

720/270; 455/344, 575.1; 396/434, 93;

386/1; 369/93, 75.1; 360/47, 4; 359/550,

359/258; 349/460, 159, 10

See application file for complete search history.

I claim the ornamental design for a face plate for a set top box, as shown and described.

DESCRIPTION

FIG. 1 is a front perspective view of a face plate for a set top box; and,

FIG. 2 is a front view of the face plate for a set top box of FIG. 1.

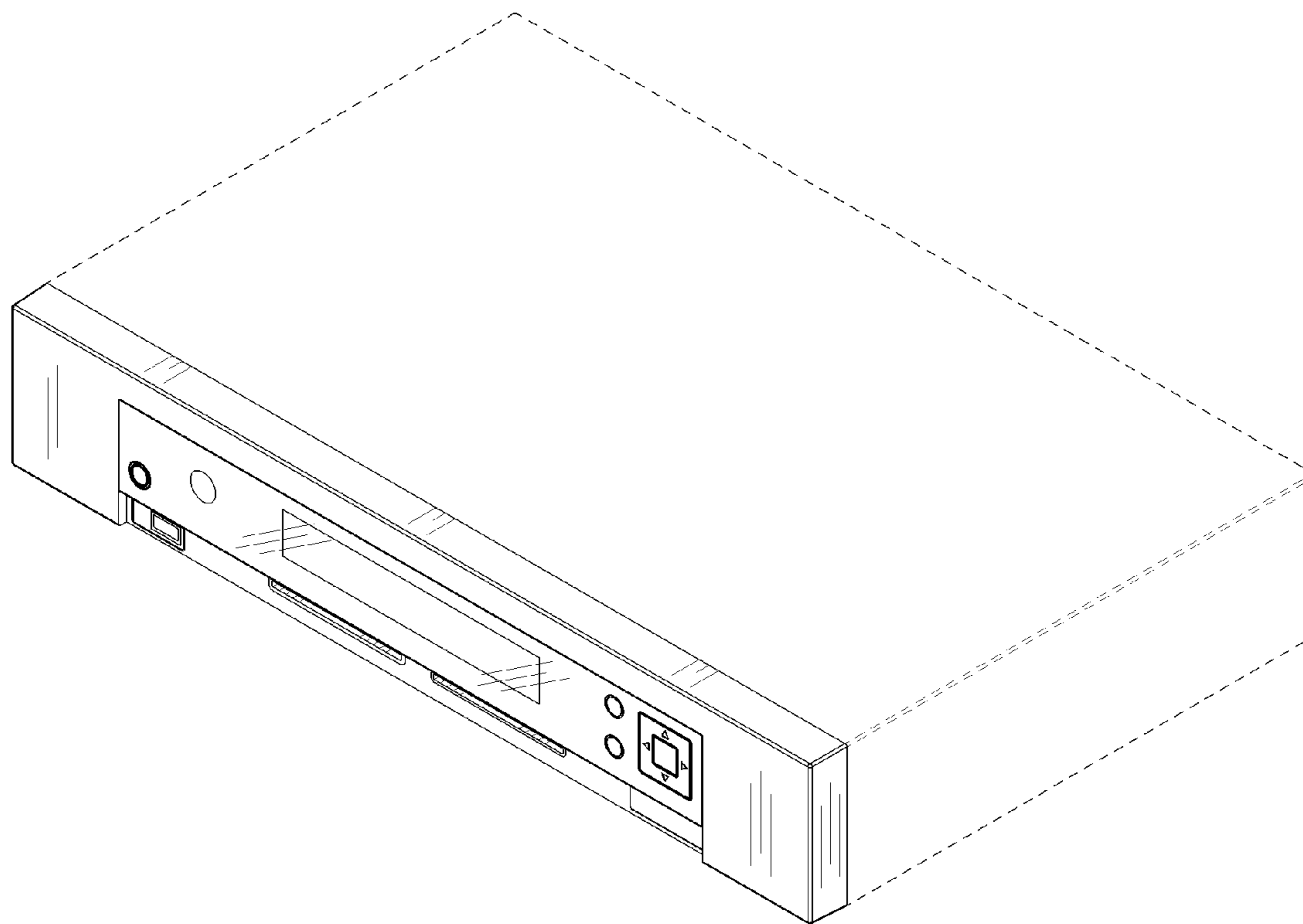
The portions drawn in broken lines are shown for illustrative purposes only and do not form part of the claimed design.

(56) **References Cited**

U.S. PATENT DOCUMENTS

D447,134 S * 8/2001 Kiai D14/257

1 Claim, 1 Drawing Sheet



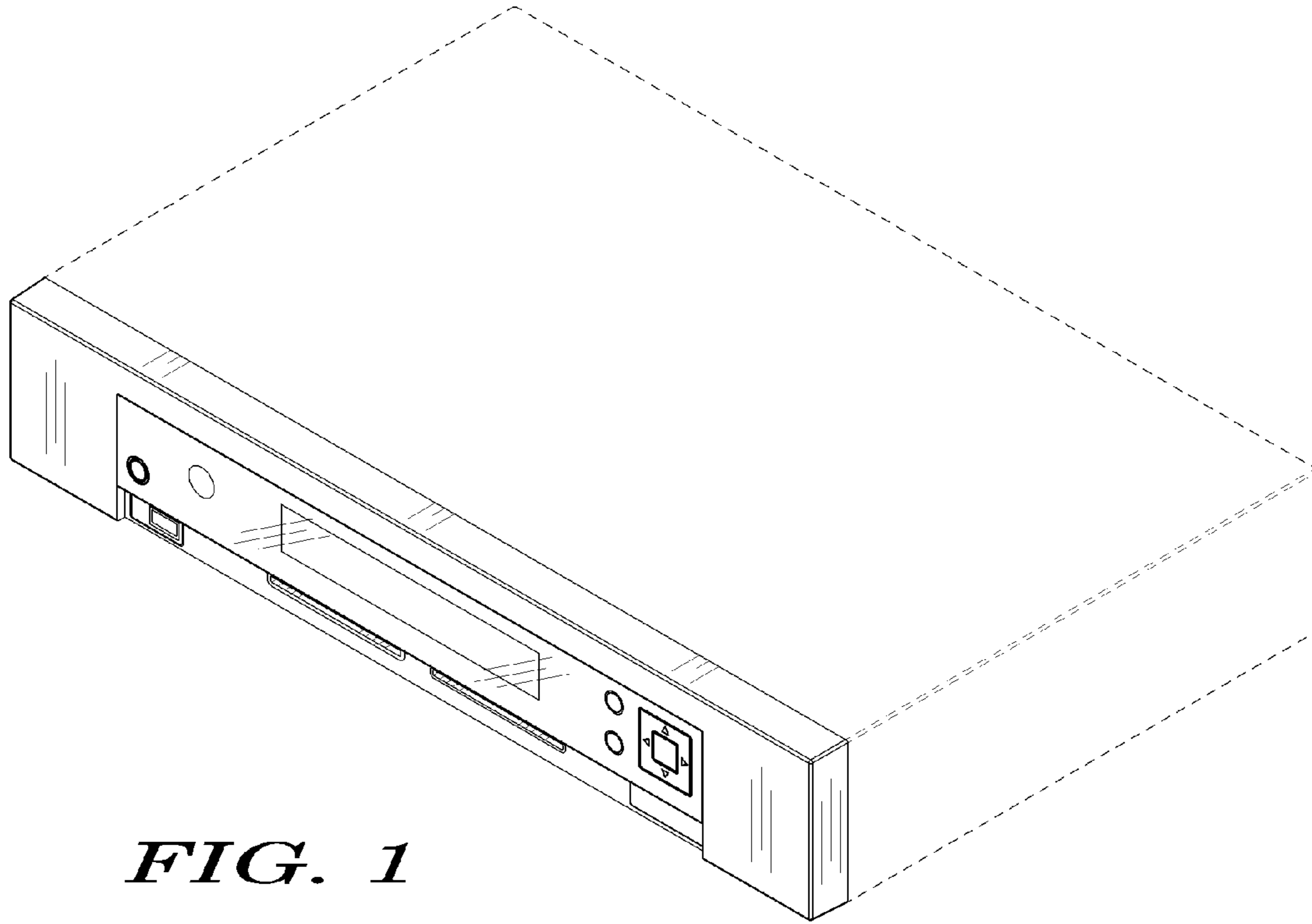


FIG. 1

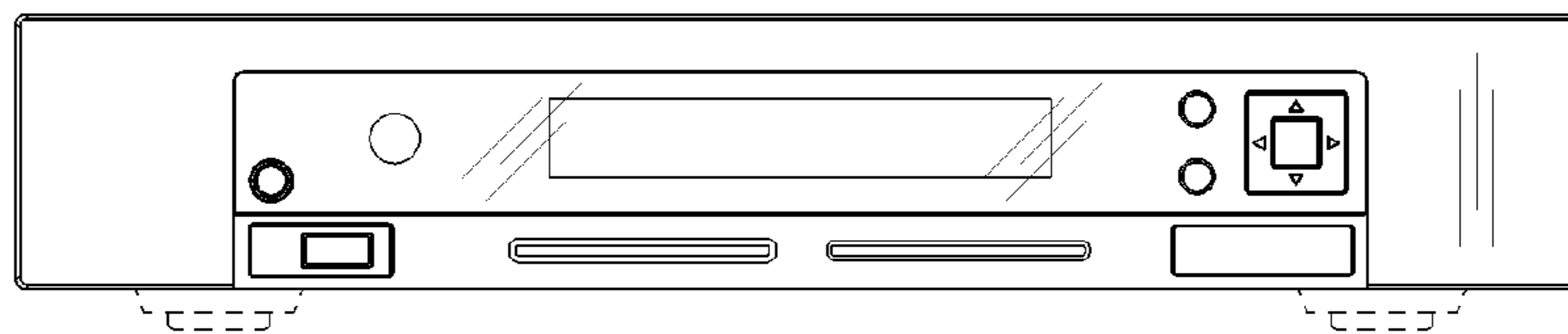


FIG. 2