



US00D559240S

(12) **United States Design Patent**  
**Paradise**

(10) **Patent No.:** **US D559,240 S**

(45) **Date of Patent:** **\*\* Jan. 8, 2008**

(54) **FACE PLATE FOR A SET TOP BOX**

D529,464 S \* 10/2006 Lim et al. .... D14/136

D530,293 S \* 10/2006 Moriya et al. .... D14/135

(75) Inventor: **Michael F Paradise**, Chicago, IL (US)

(73) Assignee: **General Instrument Corporation**,  
Horsham, PA (US)

\* cited by examiner

(\*\*) Term: **14 Years**

*Primary Examiner*—Robert M. Spear

*Assistant Examiner*—Katrina A Kile

(21) Appl. No.: **29/278,331**

(74) *Attorney, Agent, or Firm*—Benjamin D. Driscoll

(22) Filed: **Mar. 26, 2007**

(57) **CLAIM**

(51) **LOC (8) Cl.** ..... **14-01**

I claim the ornamental design for a face plate for a set top box, as shown and described.

(52) **U.S. Cl.** ..... **D14/257**

(58) **Field of Classification Search** ..... D14/257,  
D14/258, 224, 217, 198, 197, 193, 192, 188,  
D14/168, 167, 165, 164, 163, 162, 161, 160,  
D14/157, 156, 154, 136, 135; 720/691, 658,  
720/270; 455/344, 575.1; 396/434, 93;  
386/1; 369/93, 75.1; 360/47, 4; 359/550,  
359/258; 349/460, 159, 10

See application file for complete search history.

**DESCRIPTION**

FIG. 1 is a front perspective view of a face plate for a set top box; and,

FIG. 2 is a front view of the face plate for a set top box of FIG. 1.

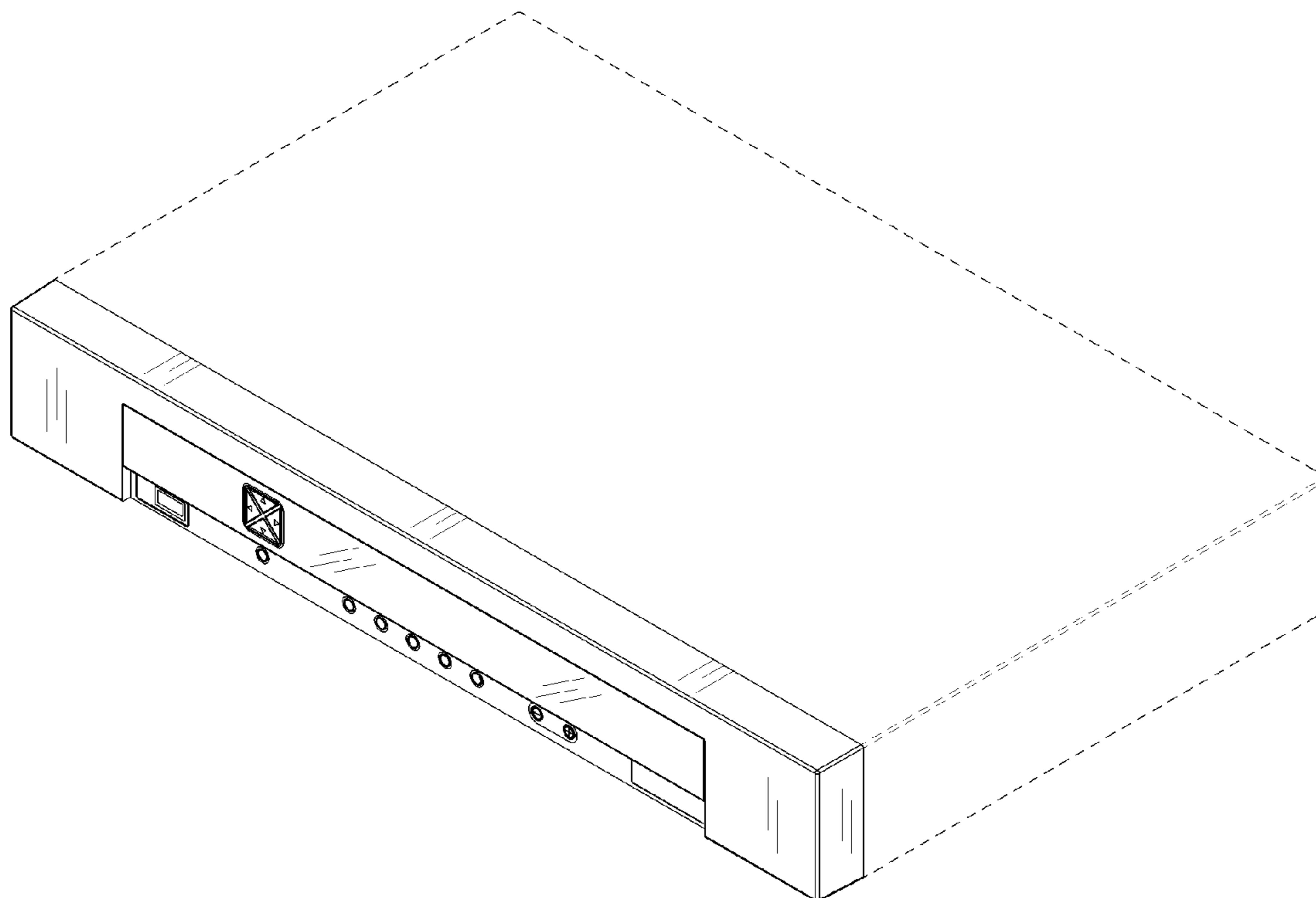
The portions drawn in broken lines are shown for illustrative purposes only and do not form part of the claimed design.

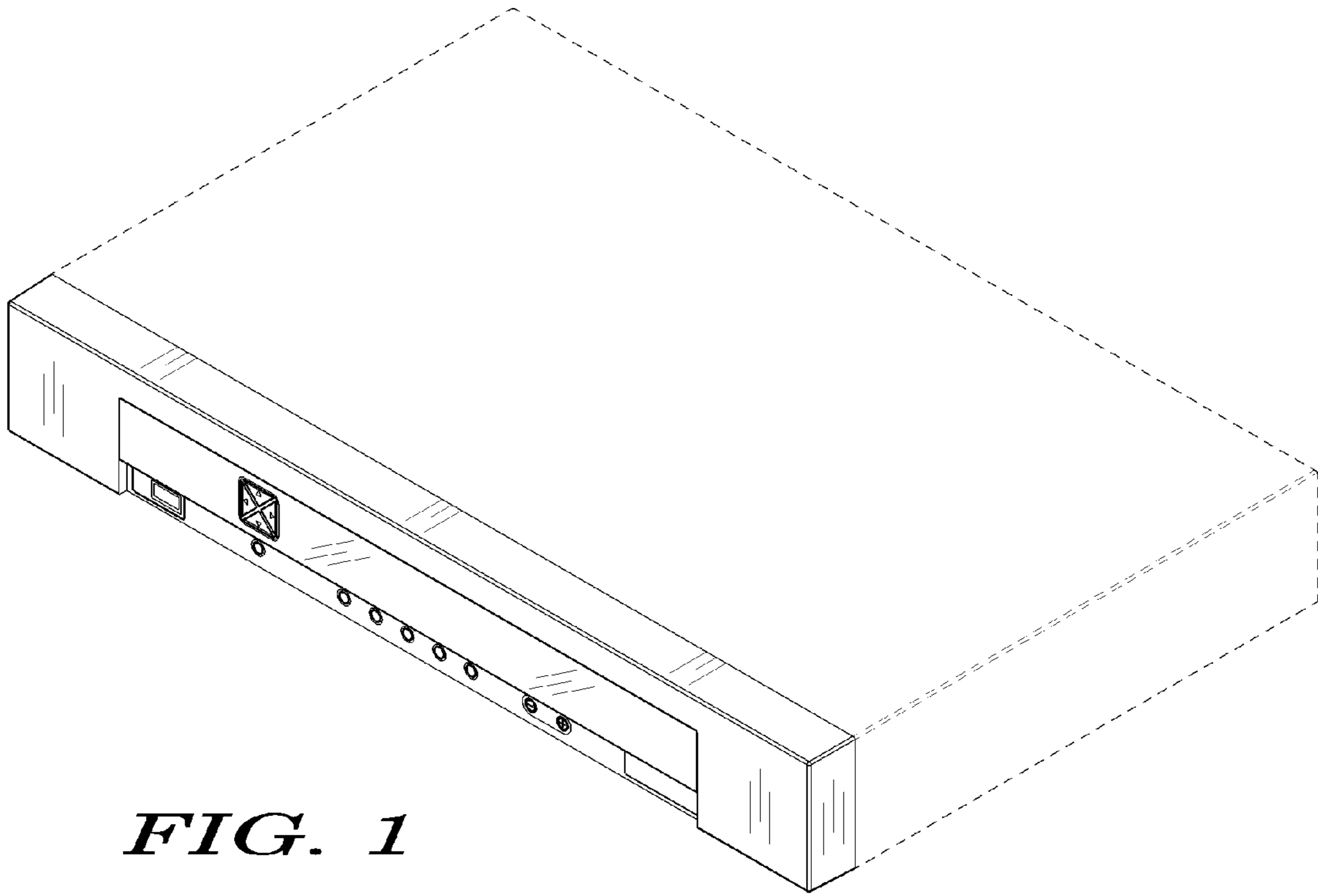
(56) **References Cited**

**U.S. PATENT DOCUMENTS**

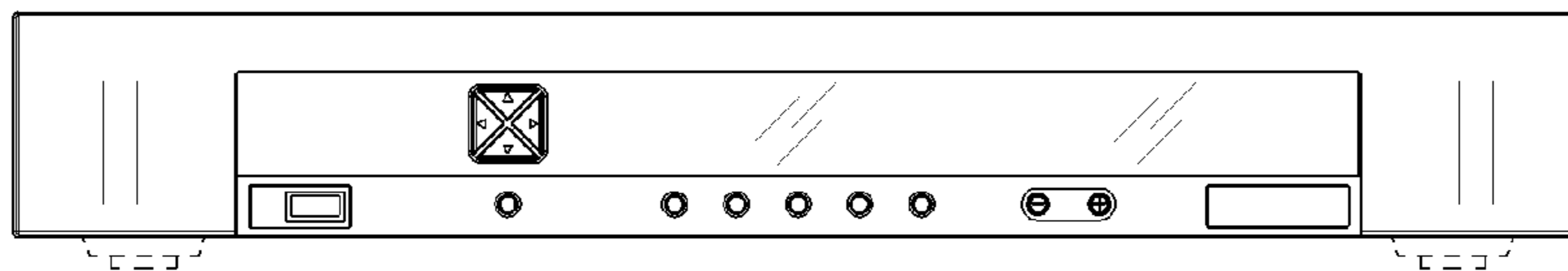
D512,700 S \* 12/2005 Sonoda ..... D14/136

**1 Claim, 1 Drawing Sheet**





*FIG. 1*



*FIG. 2*