



US00D559236S

(12) **United States Design Patent**
Wenming

(10) **Patent No.:** **US D559,236 S**
(45) **Date of Patent:** **** Jan. 8, 2008**

(54) **SET OF KEY BUTTONS FOR A HANDSET**

(75) Inventor: **Wu Wenming**, Neihu (TW)

(73) Assignee: **Nokia Corporation**, Espoo (FI)

(**) Term: **14 Years**

(21) Appl. No.: **29/278,863**

(22) Filed: **Apr. 12, 2007**

D502,457 S * 3/2005 Eigenstetter et al. D14/138
D507,562 S 7/2005 Kim
D508,475 S * 8/2005 Wu et al. D14/138
D511,771 S 11/2005 Burns et al.
6,975,273 B1 * 12/2005 Choi 343/702
7,003,318 B2 2/2006 Kota et al.
D518,812 S * 4/2006 Kim et al. D14/138
D520,482 S 5/2006 Kim et al.
D521,480 S * 5/2006 Ou et al. D14/138
D525,226 S * 7/2006 Jang D14/138

(Continued)

Related U.S. Application Data

(62) Division of application No. 29/229,606, filed on May 10, 2005.

Foreign Application Priority Data

Nov. 11, 2004 (FI) M20040178

(51) **LOC (8) Cl.** **14-03**

(52) **U.S. Cl.** **D14/247**

(58) **Field of Classification Search** D14/137,
D14/138, 147-148, 247-248, 144, 218, 341-347,
D14/455, 456; 379/433.01-433.13, 434;
455/575.1, 566, 556.1; D21/517, 329, 331;
345/169
See application file for complete search history.

(56) **References Cited**

U.S. PATENT DOCUMENTS

D458,594 S 6/2002 Jang
D469,070 S * 1/2003 Lee D14/138
D475,688 S 6/2003 Pierce et al.
D485,249 S 1/2004 Liao et al.
D486,809 S 2/2004 Hwang
D489,344 S 5/2004 Lee et al.
D489,697 S 5/2004 Lee et al.
D491,905 S 6/2004 Jang
D492,656 S 7/2004 Lee
D500,016 S 12/2004 Kim
D500,310 S * 12/2004 Johansson D14/247
D500,481 S 1/2005 Kim et al.
D501,657 S 2/2005 Kim

FOREIGN PATENT DOCUMENTS

WO DM066146 1/2005
WO DM066629 5/2005

OTHER PUBLICATIONS

Nokia 3128 telephone, announced 4th quarter 2004, [online], [retrieved on Jul. 9, 2007]. Retrieved from Internet ,<URL: http://www.gsmarena.com>.*
Samsung E530 telephone, announced 1st quarter 2005, [online], [retrieved on Jul. 9, 2007]. Retrieved from Internet ,<URL: http://www.gsmarena.com>.*

(Continued)

Primary Examiner—Jeffrey Asch
(74) *Attorney, Agent, or Firm*—Banner & Witcoff, Ltd.

(57) **CLAIM**

The ornamental design for a set of key buttons for a handset, as shown and described.

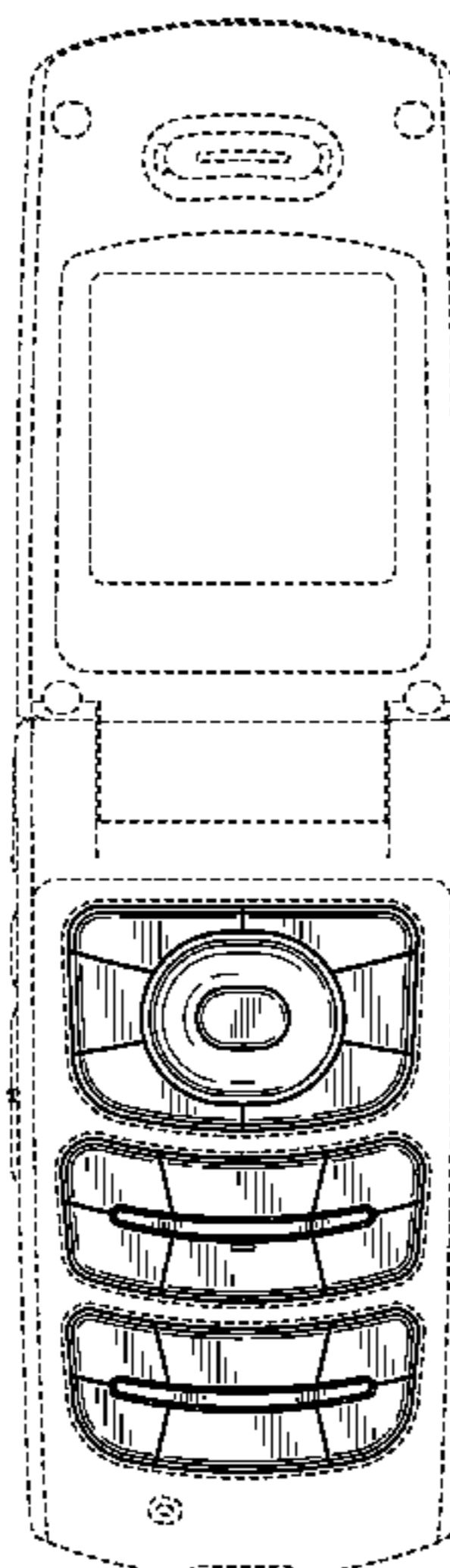
DESCRIPTION

FIG. 1 is a front view of a set of key buttons for a handset showing my new design; and,

FIG. 2 is a perspective front view thereof.

The broken line showing of the remainder of the handset is for illustrative purposes only and forms no part of the claimed design.

1 Claim, 2 Drawing Sheets



US D559,236 S

Page 2

U.S. PATENT DOCUMENTS

D532,002 S 11/2006 Johansson
D535,960 S * 1/2007 Kim et al. D14/138
D537,061 S 2/2007 Oh
D537,428 S 2/2007 Fahlgren
D537,429 S 2/2007 Fahlgren
D538,796 S * 3/2007 Fahlgren D14/247
D541,248 S * 4/2007 Lee et al. D14/138
2003/0148742 A1 8/2003 Kim
2004/0058724 A1 3/2004 Choi
2004/0097262 A1 5/2004 Lee
2004/0142718 A1 7/2004 Kim
2004/0203535 A1* 10/2004 Kim et al. 455/90.3
2005/0003852 A1 1/2005 Song
2006/0160583 A1* 7/2006 Ryu 455/575.3
2007/0004474 A1 1/2007 Oota et al.

OTHER PUBLICATIONS

NEC N900iG Telephone, announced 4th quarter 2004, [online], [retrieved on Mar. 4, 2007]. Retrieved from Internet, , URL: <http://www.gsmarena.com>>.

Bird V09 Telephone, announced 2nd quarter 2004, [online], [retrieved on Mar. 2, 2007]. Retrieved from Internet, ,URL: <http://www.gsmarena.com>>.

Sagem VS3 Telephone, announced 4th quarter 2005, [online], [retrieved on Mar. 2, 2007]. Retrieved from Internet, , URL: <http://www.gsmarena.com>>.

NEC c616v Telephone, announced 4th quarter 2003, [online], [retrieved on Mar. 2, 2007]. Retrieved from Internet, , URL: <http://www.gsmarena.com>>.

* cited by examiner

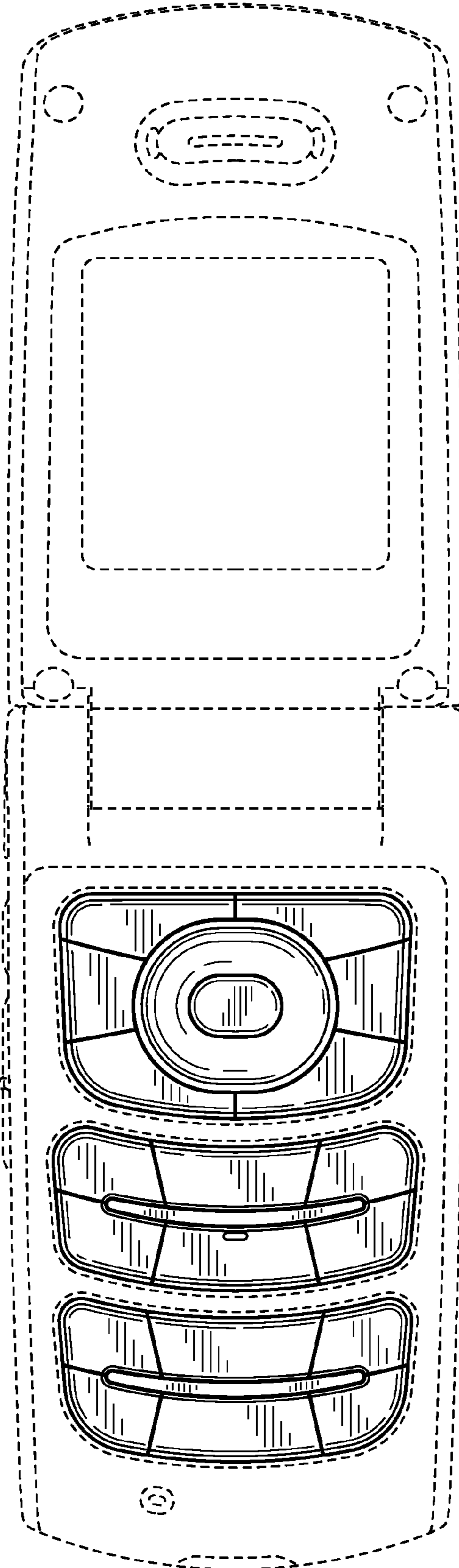


FIG. 1

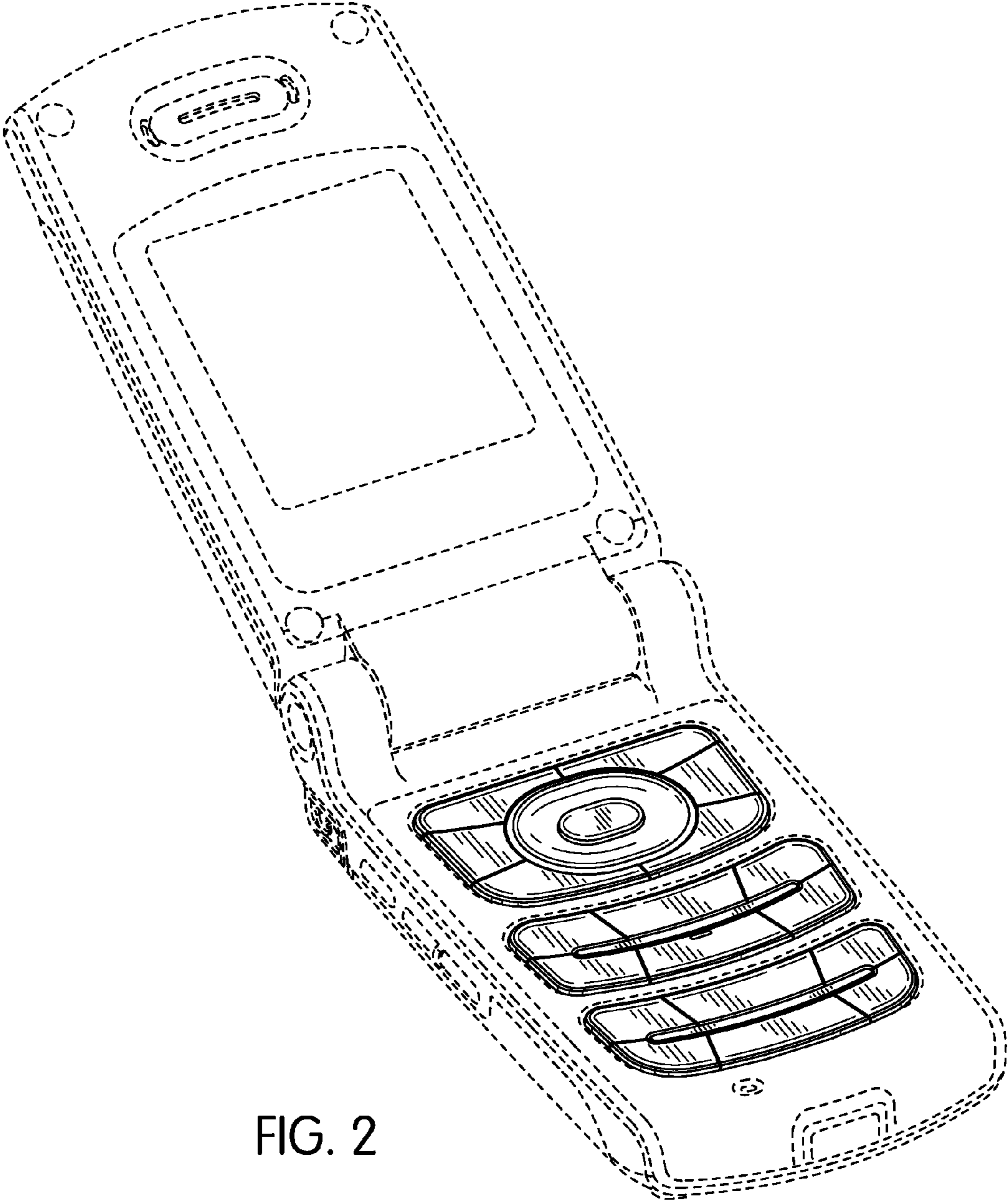


FIG. 2