



US00D559234S

(12) **United States Design Patent**  
**Girard**

(10) **Patent No.:** **US D559,234 S**

(45) **Date of Patent:** **\*\* Jan. 8, 2008**

(54) **REMOTE CONTROL TRANSMITTER**

(75) **Inventor:** **James J. Girard**, Boise, ID (US)

(73) **Assignee:** **The Chamberlain Group, Inc.**,  
Elmhurst, IL (US)

(\*\*) **Term:** **14 Years**

(21) **Appl. No.:** **29/259,336**

(22) **Filed:** **May 5, 2006**

(51) **LOC (8) Cl.** ..... **14-03**

(52) **U.S. Cl.** ..... **D14/240**

(58) **Field of Classification Search** ..... D14/240,  
D14/242, 300, 348, 356, 233, 433; D13/184,  
D13/199, 110, 137.2; 360/69; 379/220.01,  
379/221.09, 220.14, 25, 93.09, 93.15, 156,  
379/900, 338, 339; 381/124; 607/36  
See application file for complete search history.

(56) **References Cited**

**U.S. PATENT DOCUMENTS**

- D351,841 S \* 10/1994 Blankenship et al. .... D14/242
- D354,500 S \* 1/1995 Georgopoulos ..... D14/242
- D465,481 S \* 11/2002 Haaparanta ..... D14/242
- D490,403 S \* 5/2004 Wu et al. .... D14/240
- D493,165 S \* 7/2004 Kiple et al. .... D14/242

- D499,087 S \* 11/2004 Peng et al. .... D14/240
- D532,001 S \* 11/2006 Burke ..... D14/240
- D535,650 S \* 1/2007 Wong et al. .... D14/240
- D535,651 S \* 1/2007 Wong et al. .... D14/240

\* cited by examiner

*Primary Examiner*—Charles A. Rademaker

(74) *Attorney, Agent, or Firm*—Fitch, Even, Tabin & Flannery

(57) **CLAIM**

I claim the ornamental design for a remote control transmitter, as shown and described.

**DESCRIPTION**

FIG. 1 is a top perspective view of a remote control transmitter showing my new design;

FIG. 2 is a bottom perspective view thereof;

FIG. 3 is a top plan view thereof;

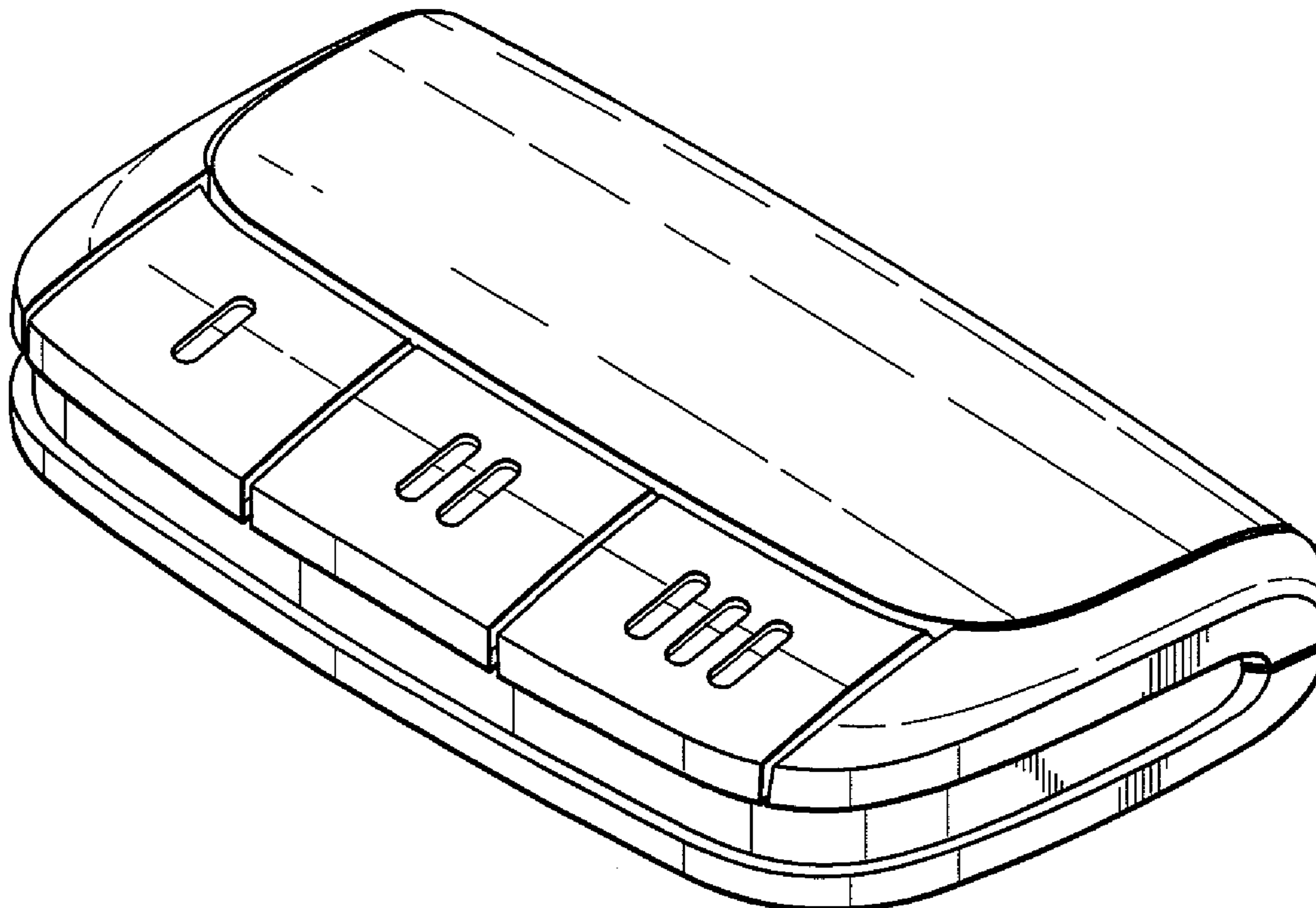
FIG. 4 is a bottom plain view thereof;

FIG. 5 is a left side elevation thereof;

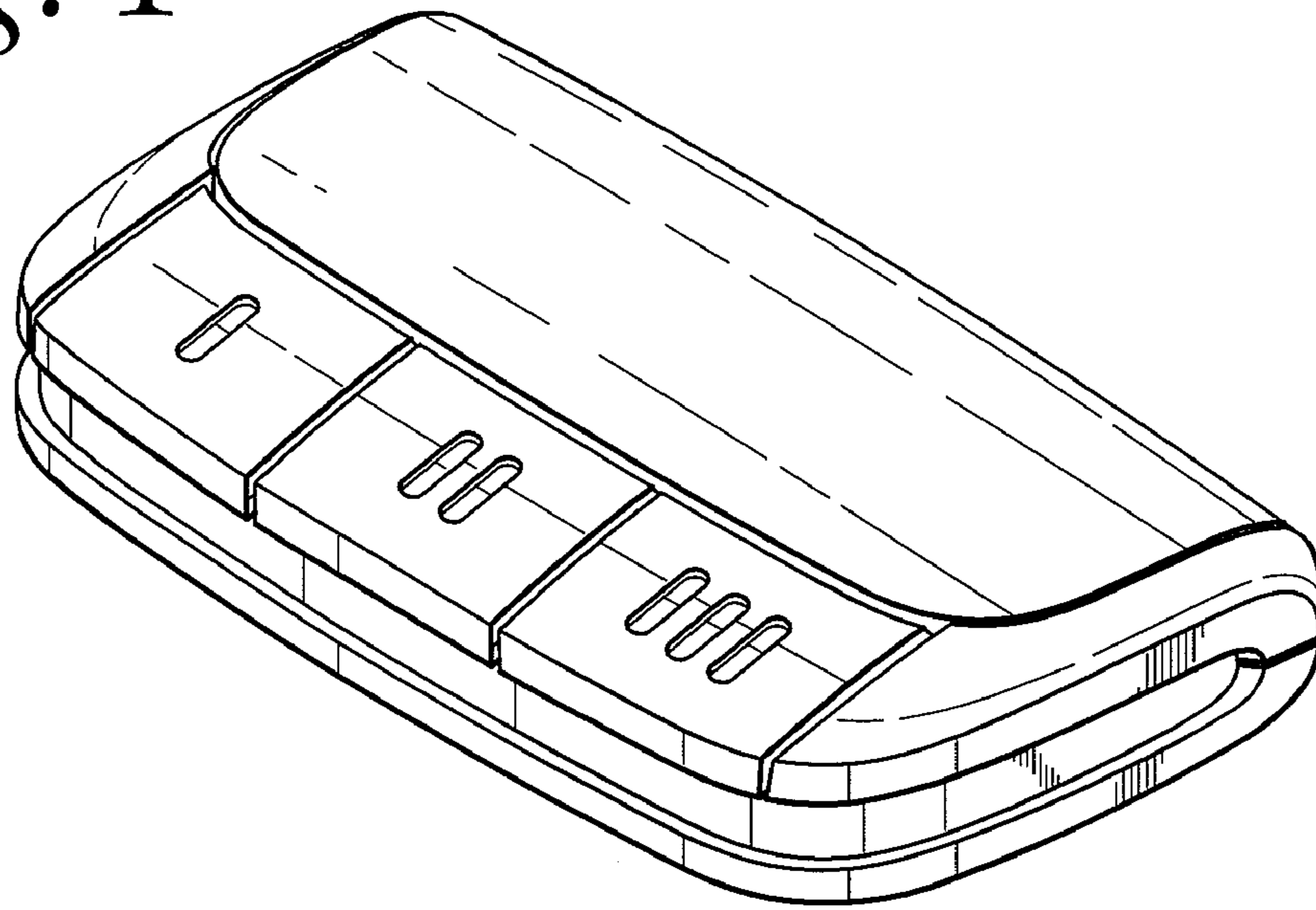
FIG. 6 is a front elevation thereof; and,

FIG. 7 is a right side elevation thereof.

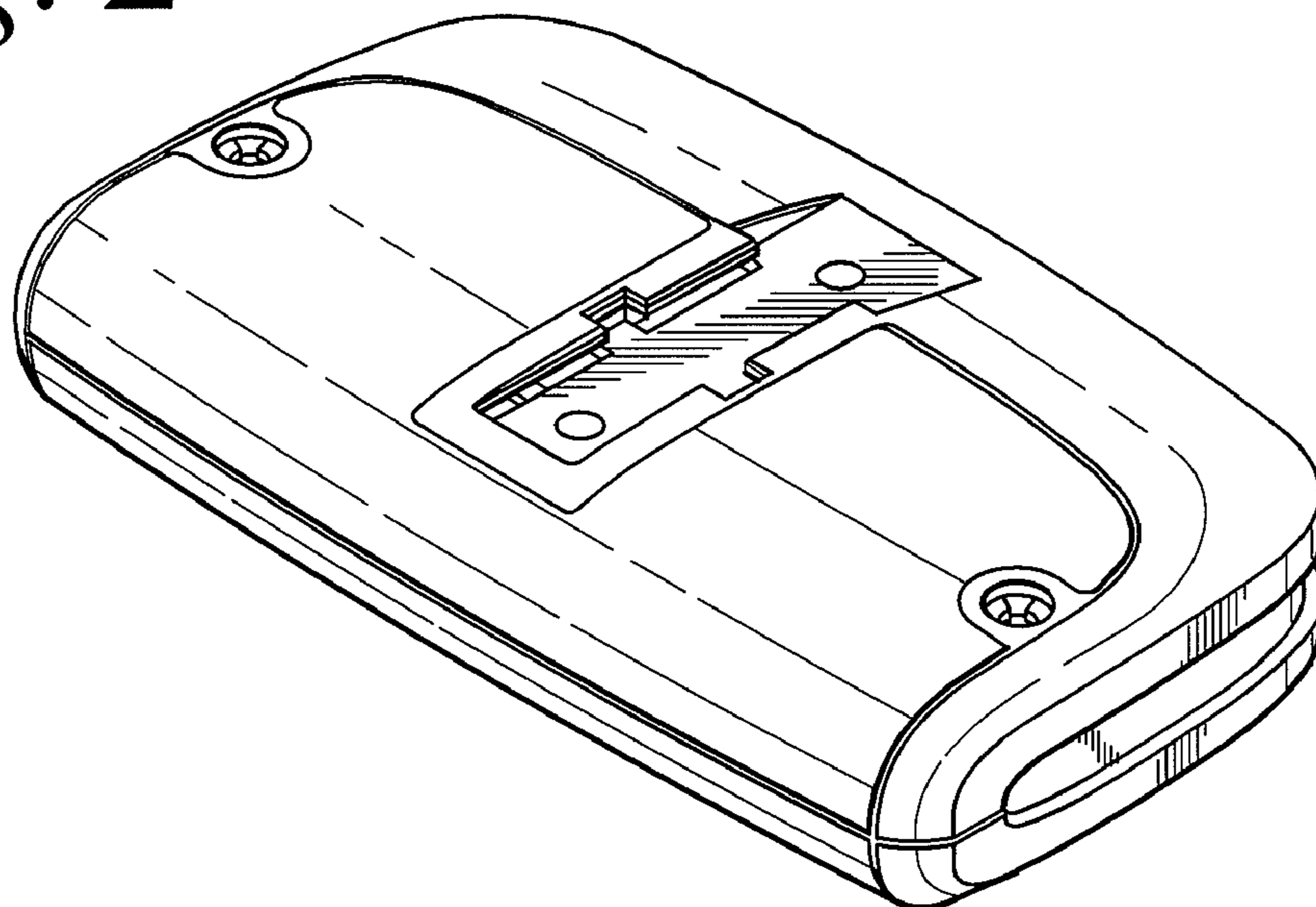
**1 Claim, 3 Drawing Sheets**



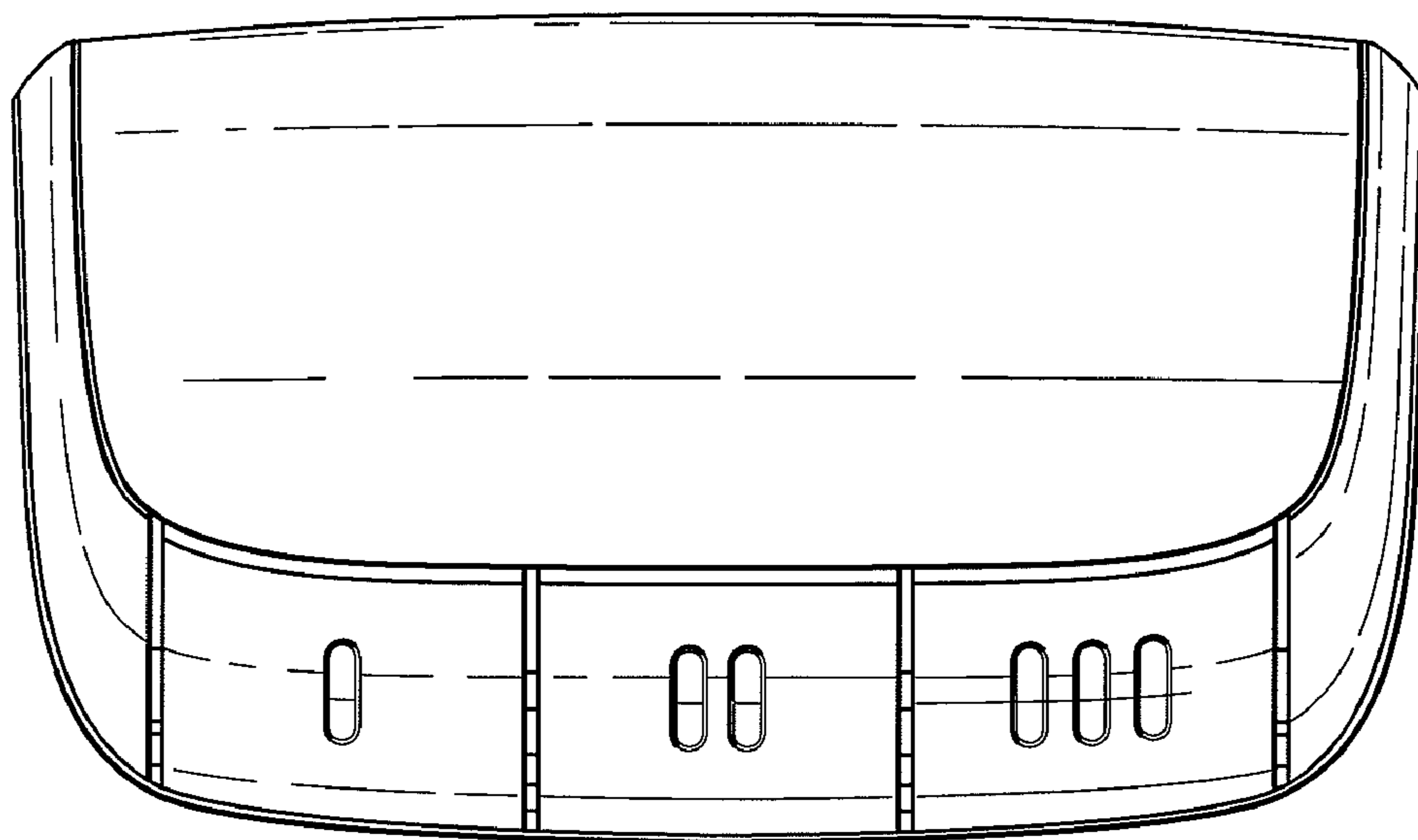
*Fig. 1*



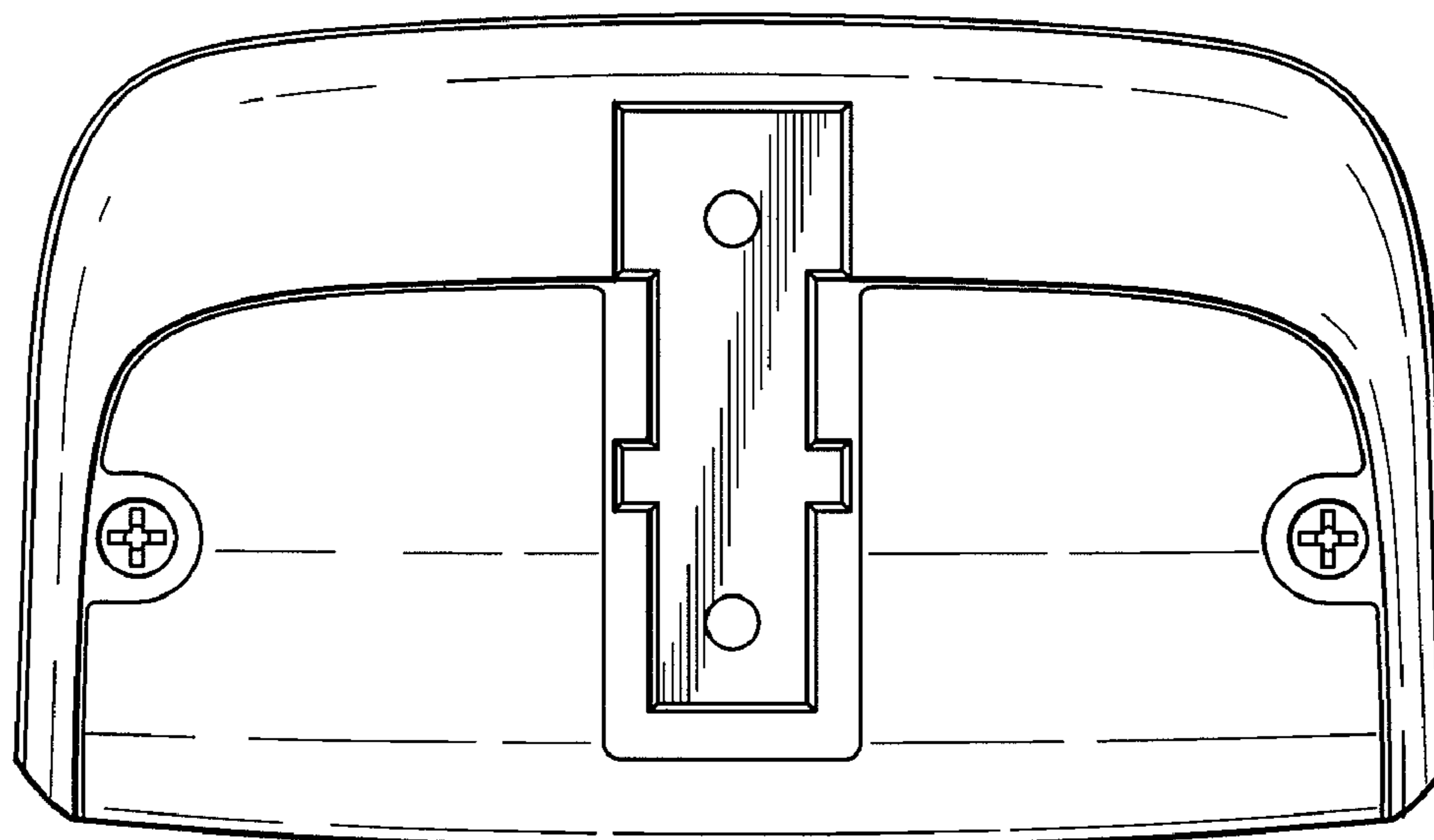
*Fig. 2*



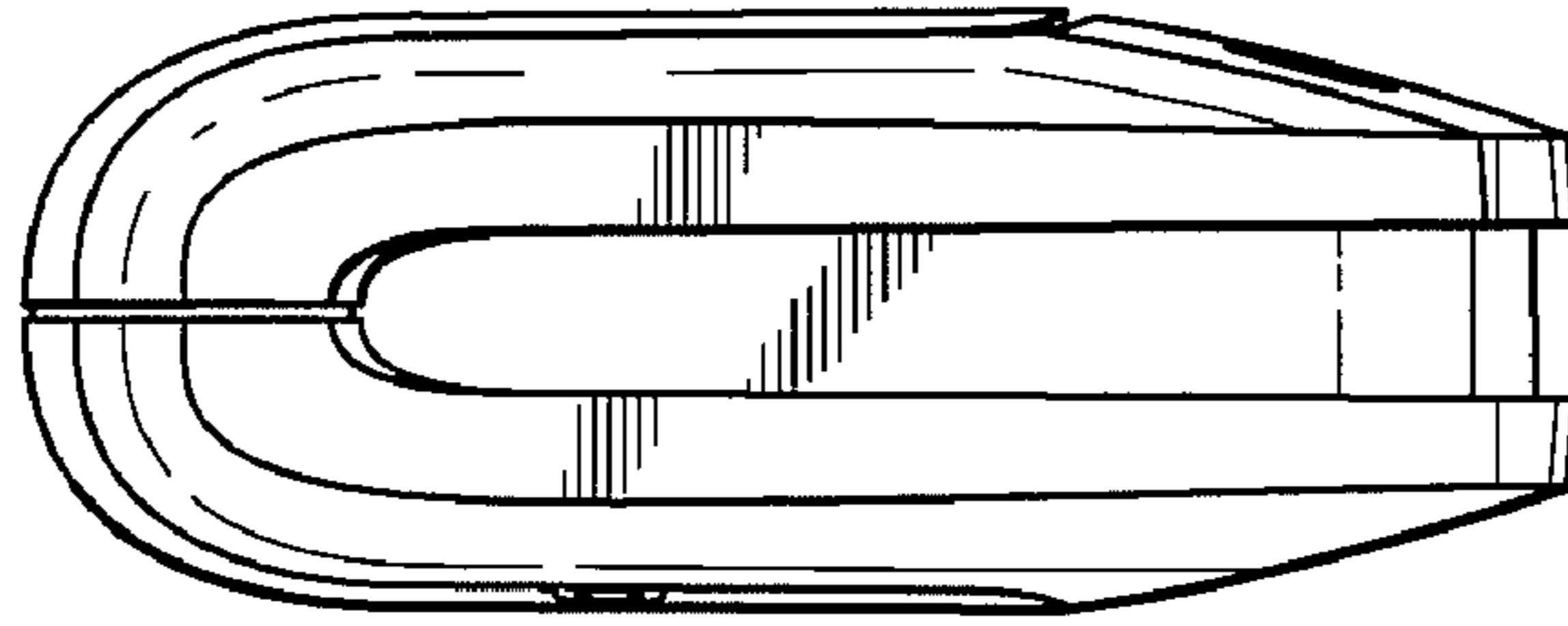
*Fig. 3*



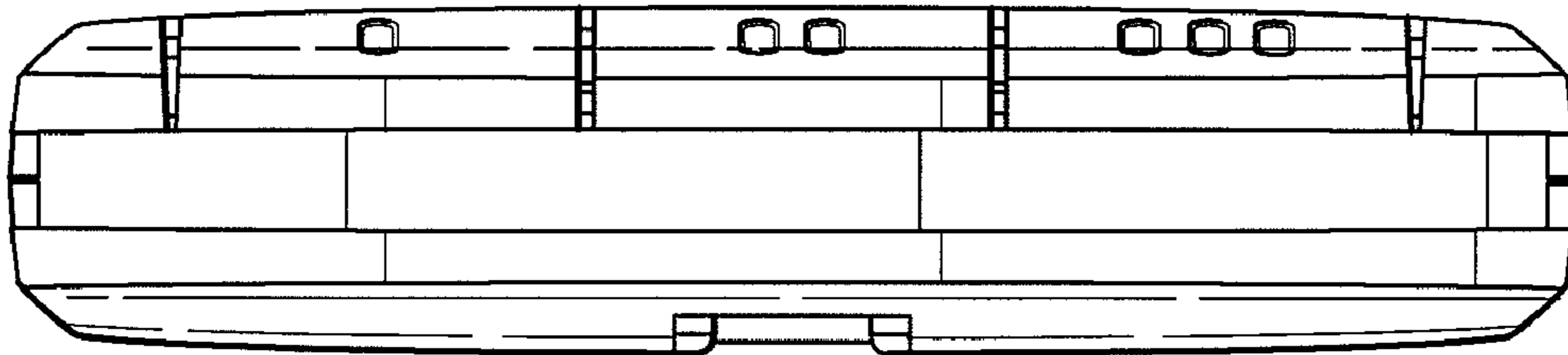
*Fig. 4*



*Fig. 5*



*Fig. 6*



*Fig. 7*

