



US00D559232S

(12) **United States Design Patent**
Ku et al.

(10) **Patent No.:** **US D559,232 S**
(45) **Date of Patent:** **** Jan. 8, 2008**

(54) **WIRELESS HEADSET**
(75) Inventors: **Wen Ku**, Cupertino, CA (US); **Sally Li**, Los Altos, CA (US); **Thomas Chen**, Foster City, CA (US); **Yi-Wen Chen**, Taipei (TW)

6,760,458 B1 * 7/2004 Bogeskov-Jensen et al. 381/370
D517,052 S * 3/2006 Skulley D14/223
D517,053 S * 3/2006 Ham D14/223
7,020,300 B1 * 3/2006 Villaverde 381/375
7,248,902 B2 * 7/2007 Chu 455/569.1
D550,658 S * 9/2007 Wang D14/223

(73) Assignees: **Fortemedia, Inc.**, Cupertino, CA (US); **MVOX Technologies, Inc.**, Cupertino, CA (US)

FOREIGN PATENT DOCUMENTS

TW 93302965 5/2004
TW 93307590 12/2004

(**) Term: **14 Years**

OTHER PUBLICATIONS

(21) Appl. No.: **29/275,152**

TW Office Action mailed Aug. 1, 2007 (Telephone Conversation Re: TW Office Action Sep. 21, 2007).

(22) Filed: **Dec. 15, 2006**

* cited by examiner

(30) **Foreign Application Priority Data**

Sep. 5, 2006 (TW) 95305023

Primary Examiner—Paula A. Greene

(51) **LOC (8) Cl.** **14-01**

(52) **U.S. Cl.** **D14/223**

(58) **Field of Classification Search** D14/167, D14/188, 192, 205–206, 217–218, 223, 225; 181/129, 130; 379/430, 431, 446; 381/370, 381/374, 375, 376, 377, 378, 379; 455/569.2, 455/575.9; 224/247, 271; 24/3.11, 35
See application file for complete search history.

(74) *Attorney, Agent, or Firm*—Thomas, Kayden, Horstemeyer & Risley

(57) **CLAIM**

The ornamental design for a wireless headset, as shown and described.

(56) **References Cited**

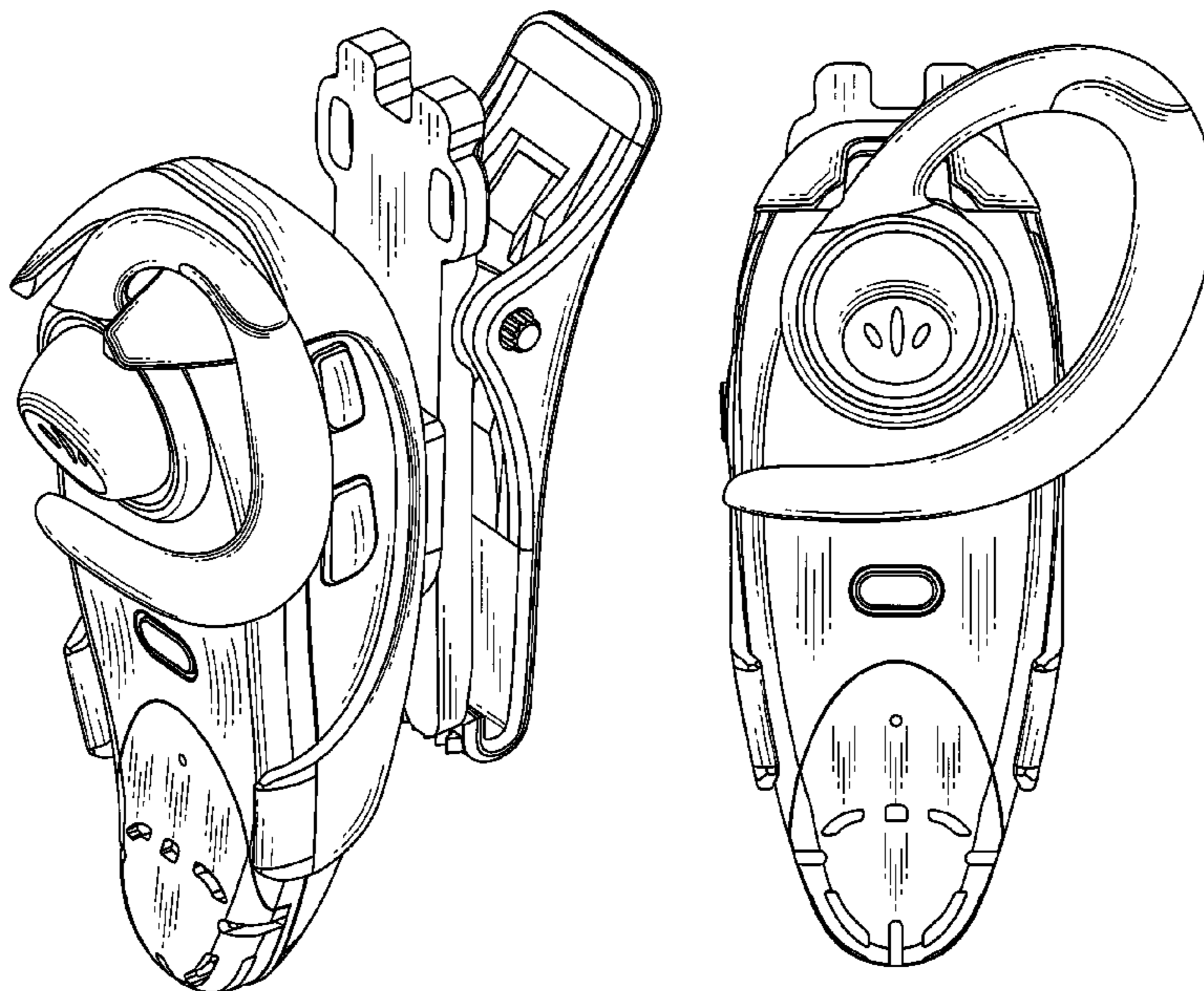
DESCRIPTION

U.S. PATENT DOCUMENTS

4,635,836 A * 1/1987 Mooney et al. 224/247
4,780,934 A * 11/1988 Vickers et al. 24/3.11
5,185,906 A * 2/1993 Brooks 24/35
D357,919 S * 5/1995 Tsui D14/218
D379,009 S * 4/1997 Osiecki D14/167
6,283,348 B1 * 9/2001 Wang 224/271
D466,106 S * 11/2002 Cronk D14/217

FIG. 1 is a front perspective view thereof;
FIG. 2 is a front side view thereof;
FIG. 3 is a rear side view thereof;
FIG. 4 is a left side view thereof;
FIG. 5 is a right side view thereof;
FIG. 6 is a top plan view thereof; and,
FIG. 7 is a bottom plan view thereof.

1 Claim, 7 Drawing Sheets



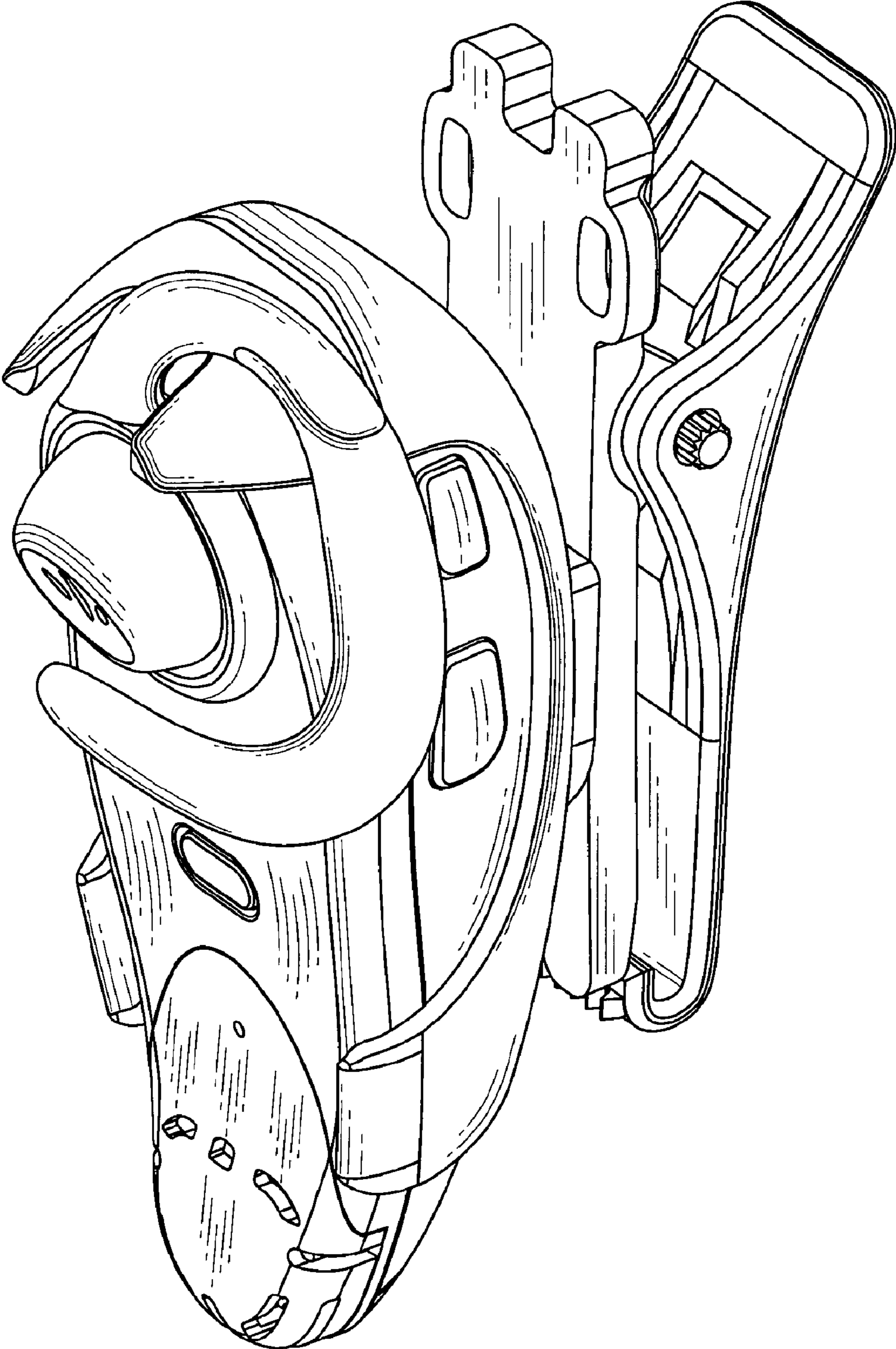


FIG. 1

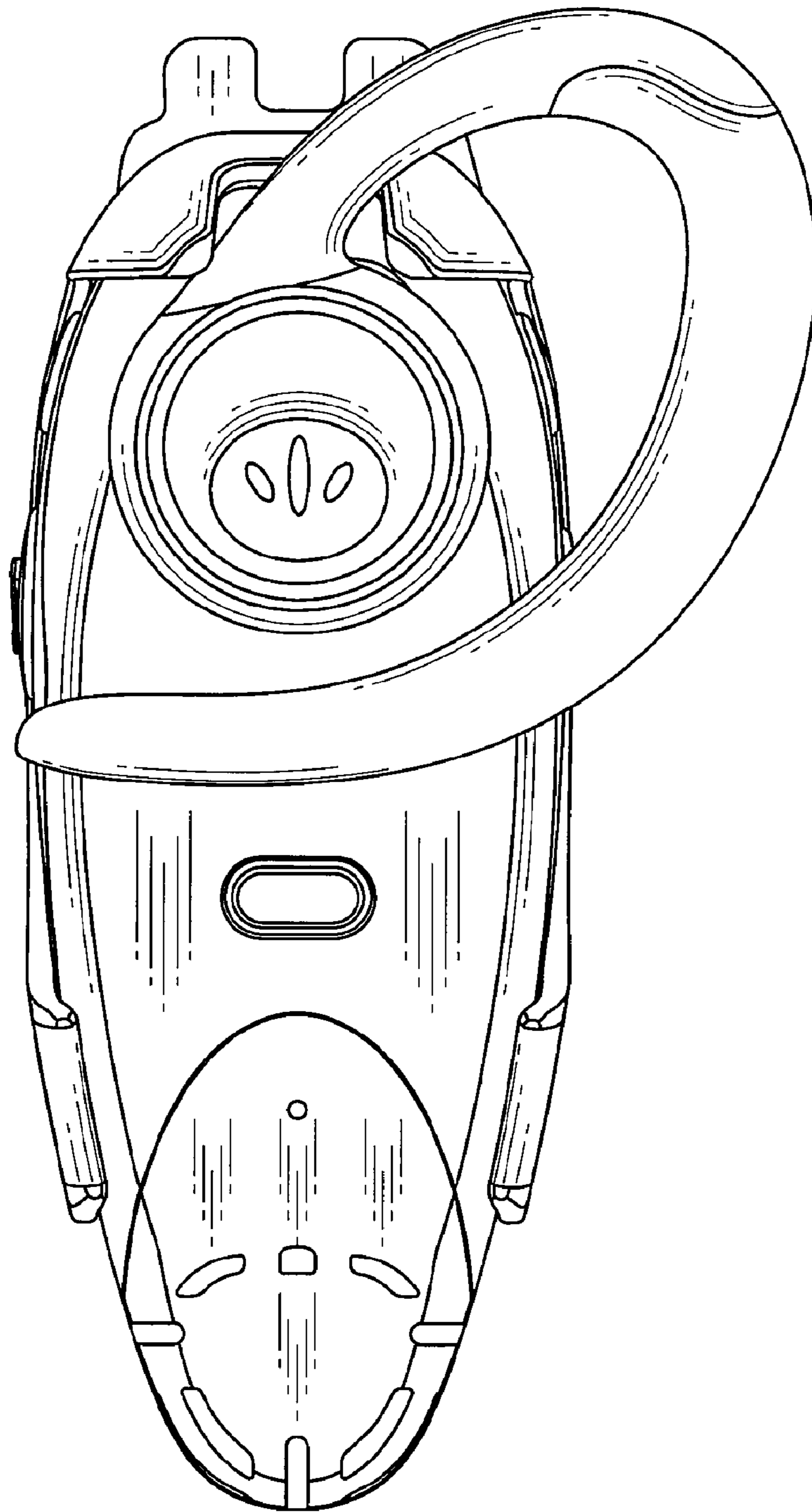


FIG. 2

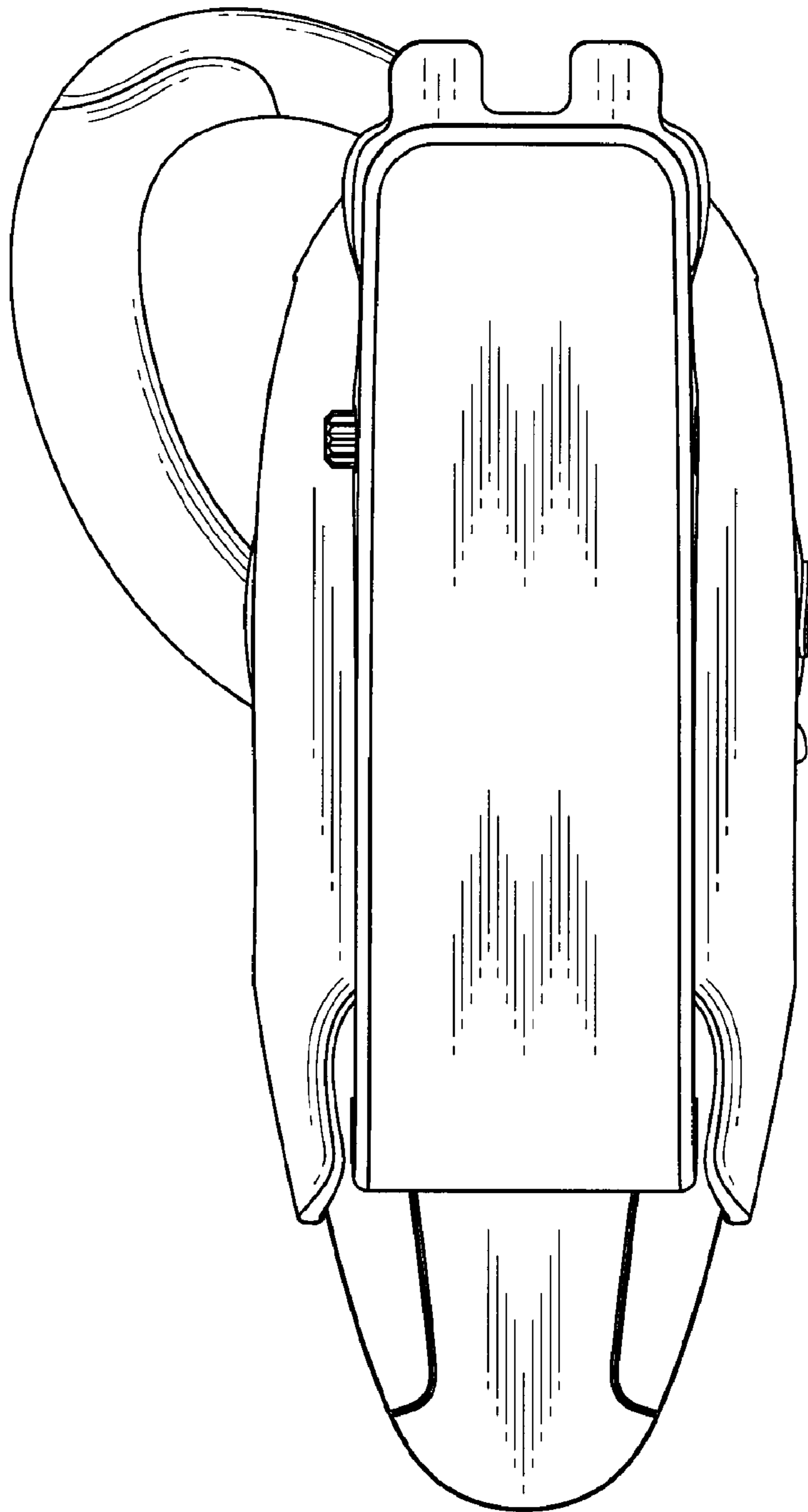


FIG. 3

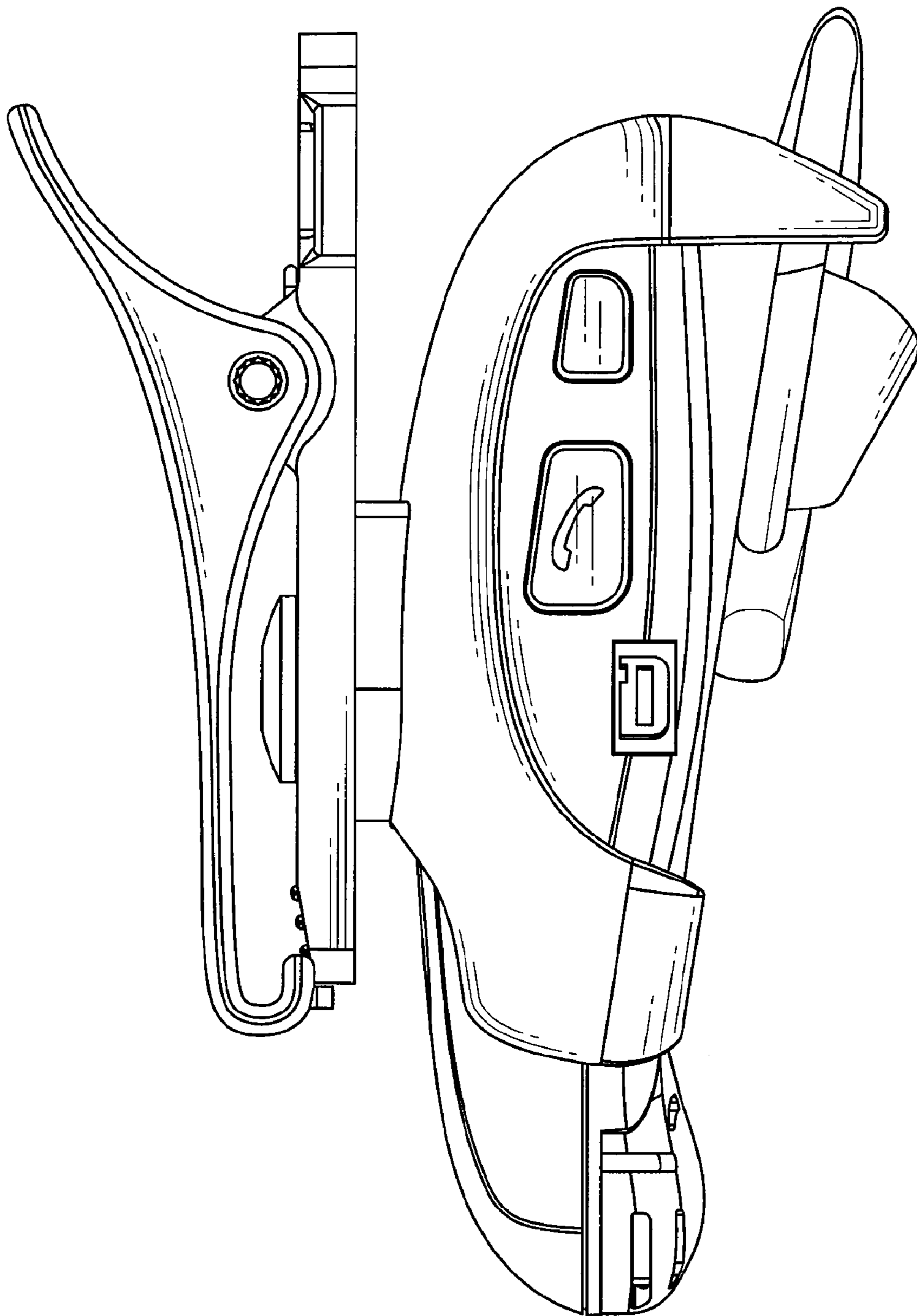


FIG. 4

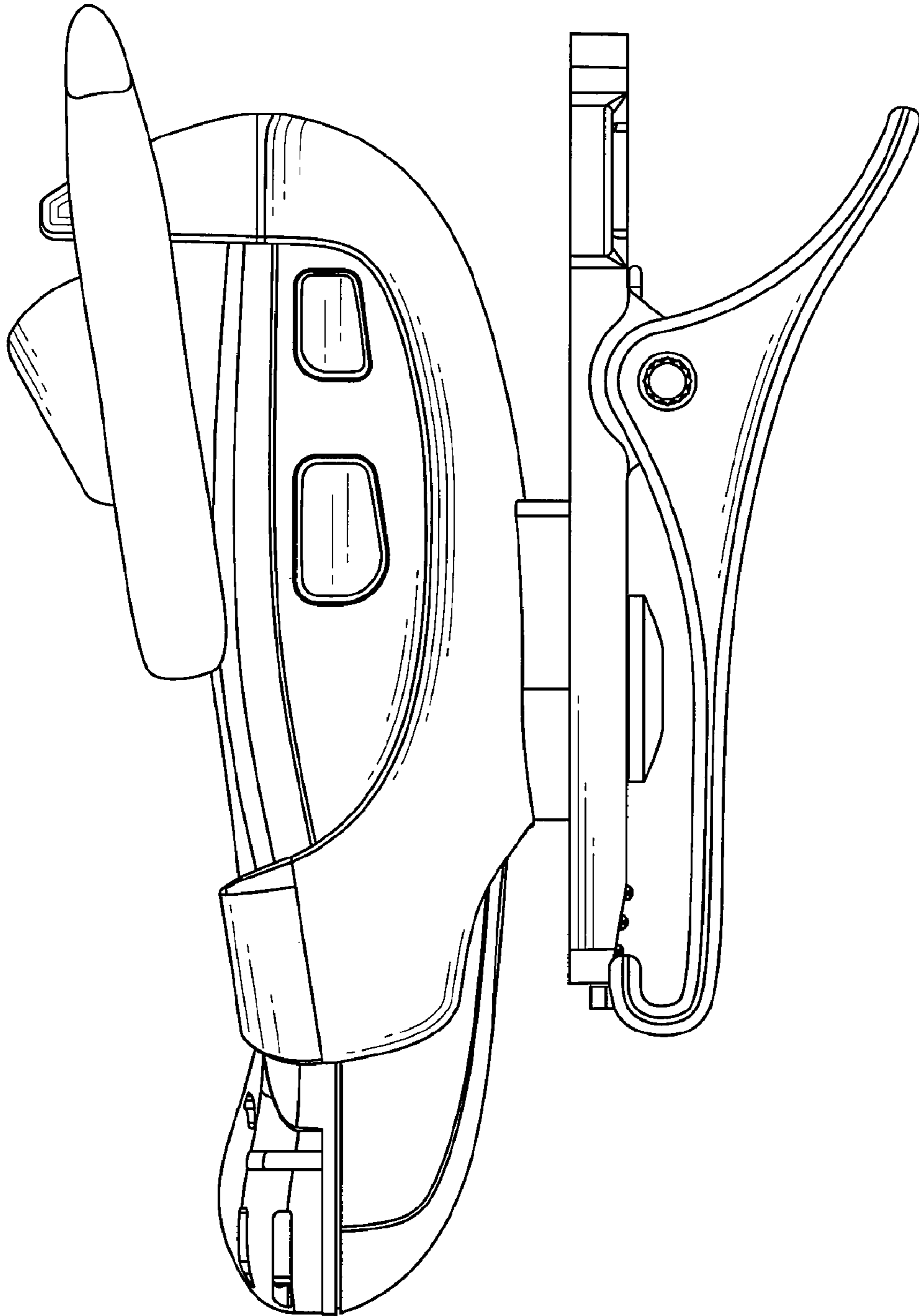


FIG. 5

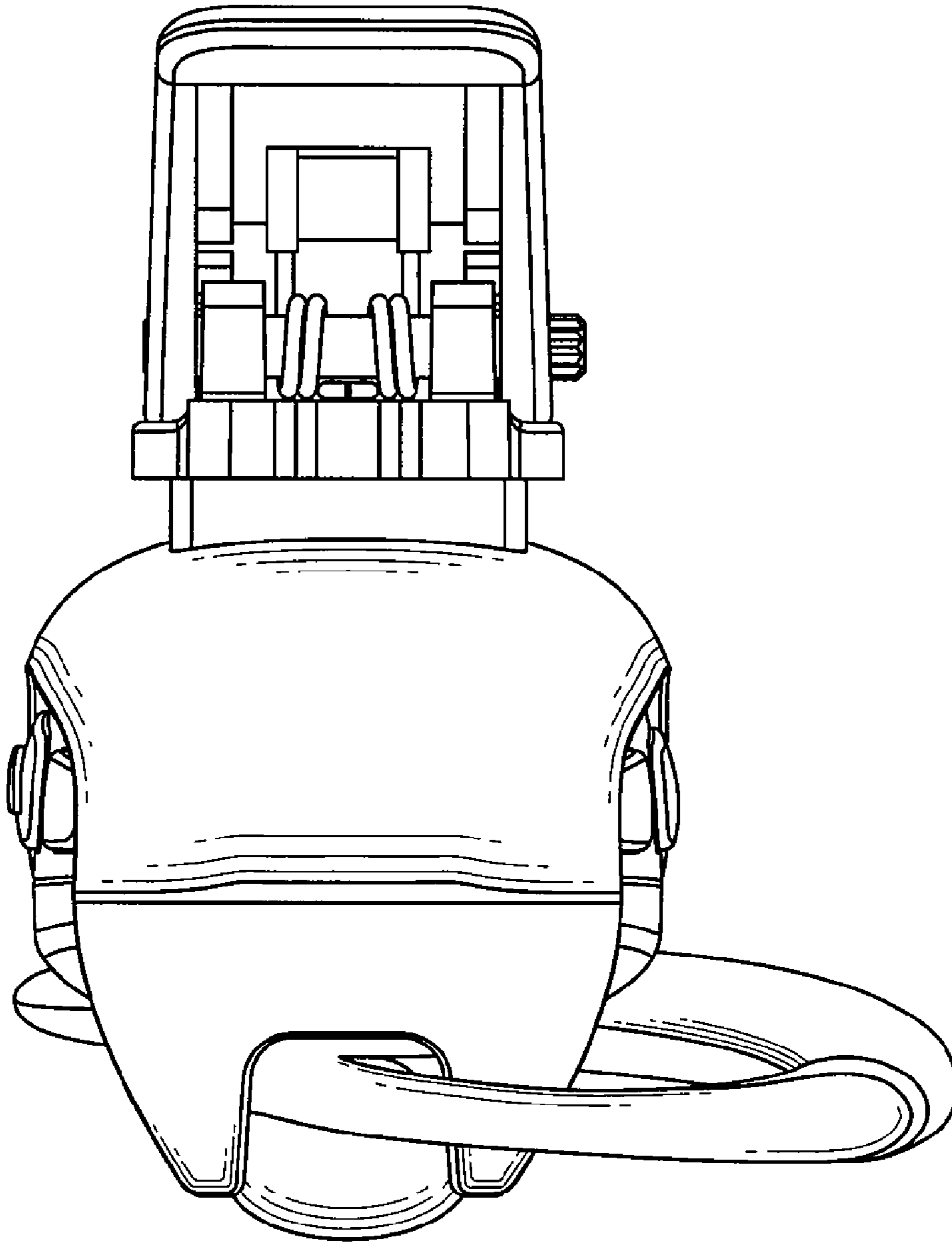


FIG. 6

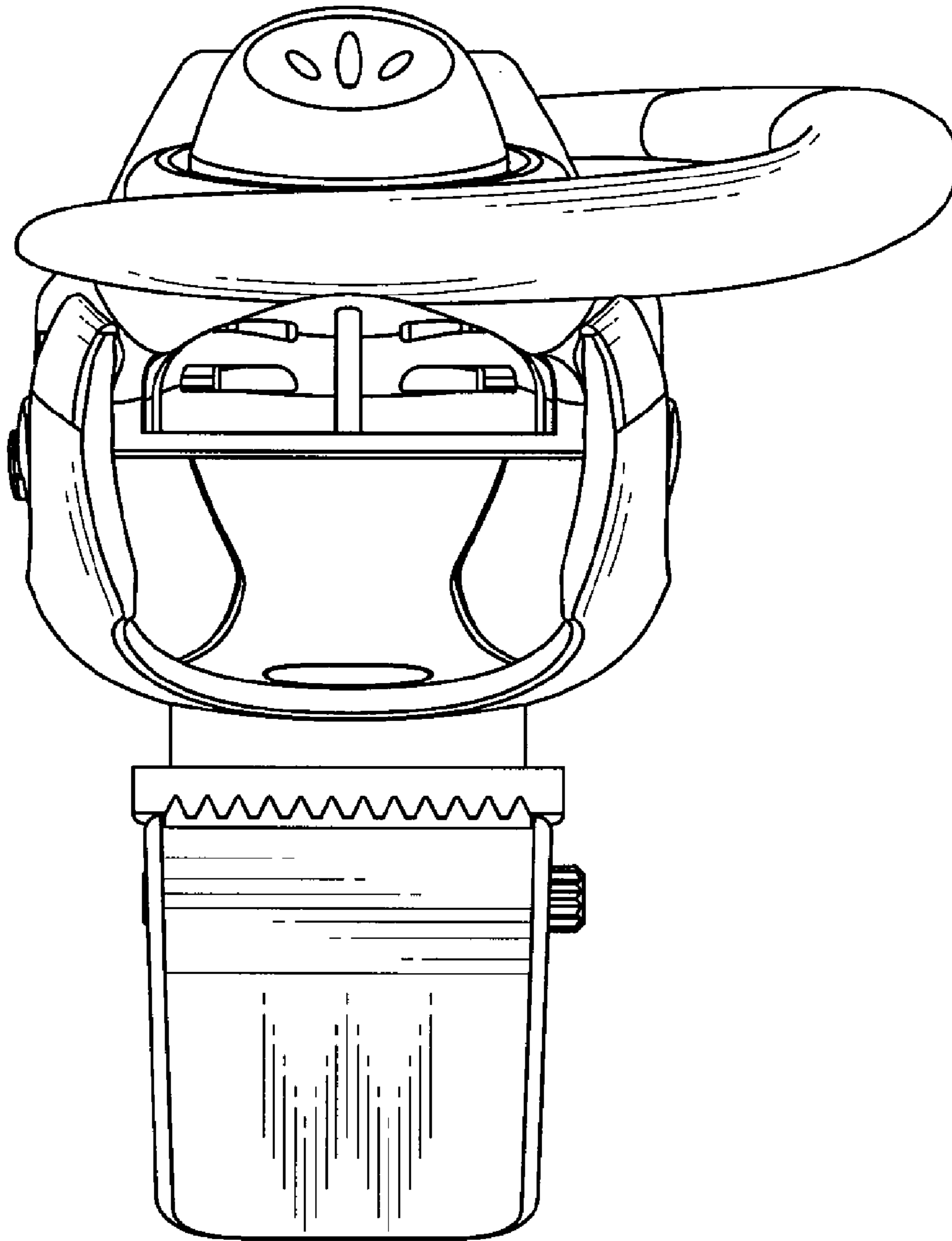


FIG. 7