



US00D559230S

(12) **United States Design Patent** (10) **Patent No.:** **US D559,230 S**
Griffin et al. (45) **Date of Patent:** **** Jan. 8, 2008**

(54) **CASE WITH STAND FOR AN MP3 PLAYER DEVICE**

7,259,750 B2 * 8/2007 Ghosh et al. 345/168
* cited by examiner

(75) Inventors: **Paul Griffin**, Nashville, TN (US); **Dan Poon**, Hermitage, TN (US)

Primary Examiner—Prabhakar Deshmukh
(74) *Attorney, Agent, or Firm*—Michael E. McKee

(73) Assignee: **Griffin Technology, Inc.**, Nashville, TN (US)

(57) **CLAIM**

The ornamental design for a case with stand for an MP3 player device, as shown and described.

(**) Term: **14 Years**

(21) Appl. No.: **29/272,876**

DESCRIPTION

(22) Filed: **Feb. 20, 2007**

(51) **LOC (8) Cl.** **14-03**

FIG. 1 is a perspective view of the case with stand for an MP3 player device showing our new design and wherein the stand is moved to a condition for supporting the case in a upright condition;

(52) **U.S. Cl.** **D14/217; D14/496; D3/218**

FIG. 2 is a perspective view of the FIG. 1 case shown from an alternative angle;

(58) **Field of Classification Search** D14/496,
D14/217, 432, 434, 474, 168, 224, 299; D3/218,
D3/318, 201, 273; D6/407; 455/1, 95, 100;
224/908, 929; 206/307, 307.1, 305, 387.1,
206/308.1; 379/908; 345/156, 162, 905;
463/46, 47

FIG. 3 is front view thereof;

FIG. 4 is a back view thereof;

FIG. 5 is a left side view thereof, the right side thereof being a mirror image;

See application file for complete search history.

FIG. 6 is a top view thereof;

FIG. 7 is a bottom view thereof;

(56) **References Cited**

U.S. PATENT DOCUMENTS

6,078,792	A *	6/2000	Phillips	455/575.1
6,227,361	B1 *	5/2001	Salazar et al.	206/305
6,273,252	B1 *	8/2001	Mitchell	206/320
6,375,057	B1 *	4/2002	Gorchian	224/682
6,464,195	B1 *	10/2002	Hildebrandt	248/460
D472,373	S *	4/2003	Hillman	D3/218
D518,290	S *	4/2006	Andre et al.	D3/218
D519,275	S *	4/2006	Shertzer	D3/218
7,046,230	B2 *	5/2006	Zadesky et al.	345/156
D540,539	S *	4/2007	Gutierrez	D3/269
D547,056	S *	7/2007	Griffin et al.	D3/218
D547,057	S *	7/2007	Griffin et al.	D3/218

FIG. 8 is a perspective view of the case with stand of FIG. 1 wherein the stand is moved to a stored condition;

FIG. 9 is a perspective view of the FIG. 8 case shown from an alternative angle;

FIG. 10 is a front view thereof;

FIG. 11 is a back view thereof;

FIG. 12 is a left side view thereof, the right side view thereof being a mirror image;

FIG. 13 is a top view thereof; and,

FIG. 14 is a bottom view thereof.

1 Claim, 9 Drawing Sheets

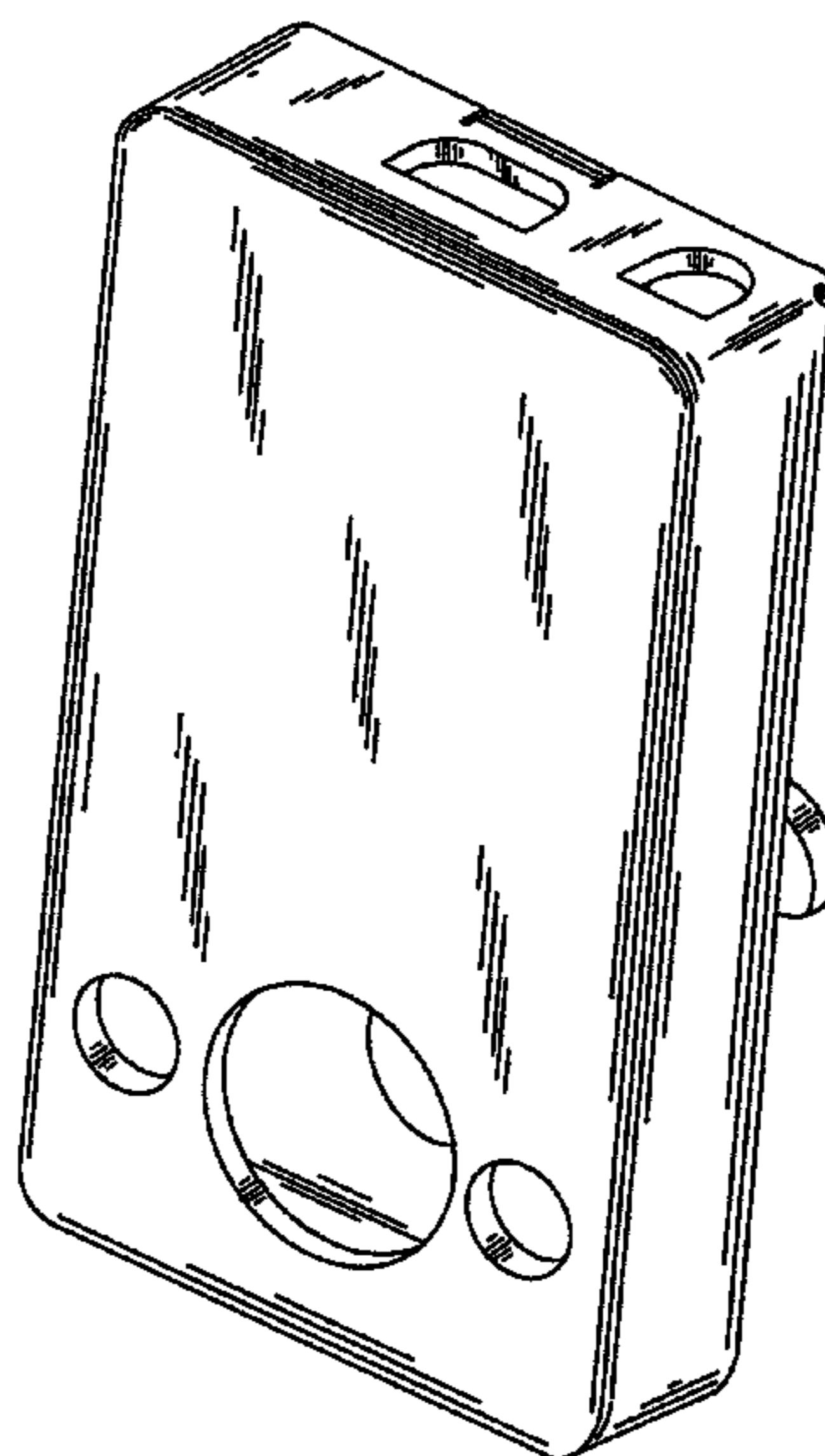


FIG. 1

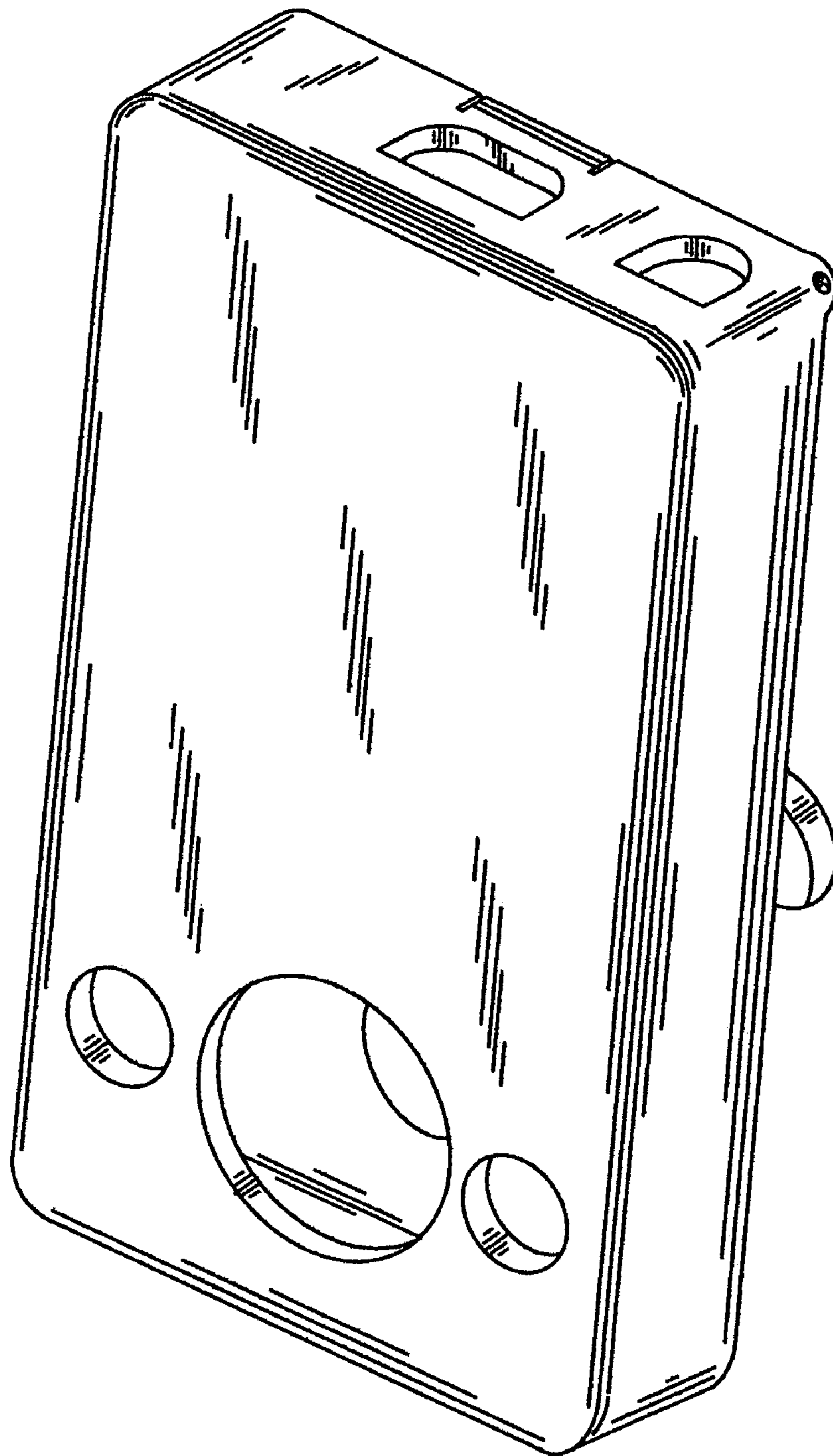


FIG. 2

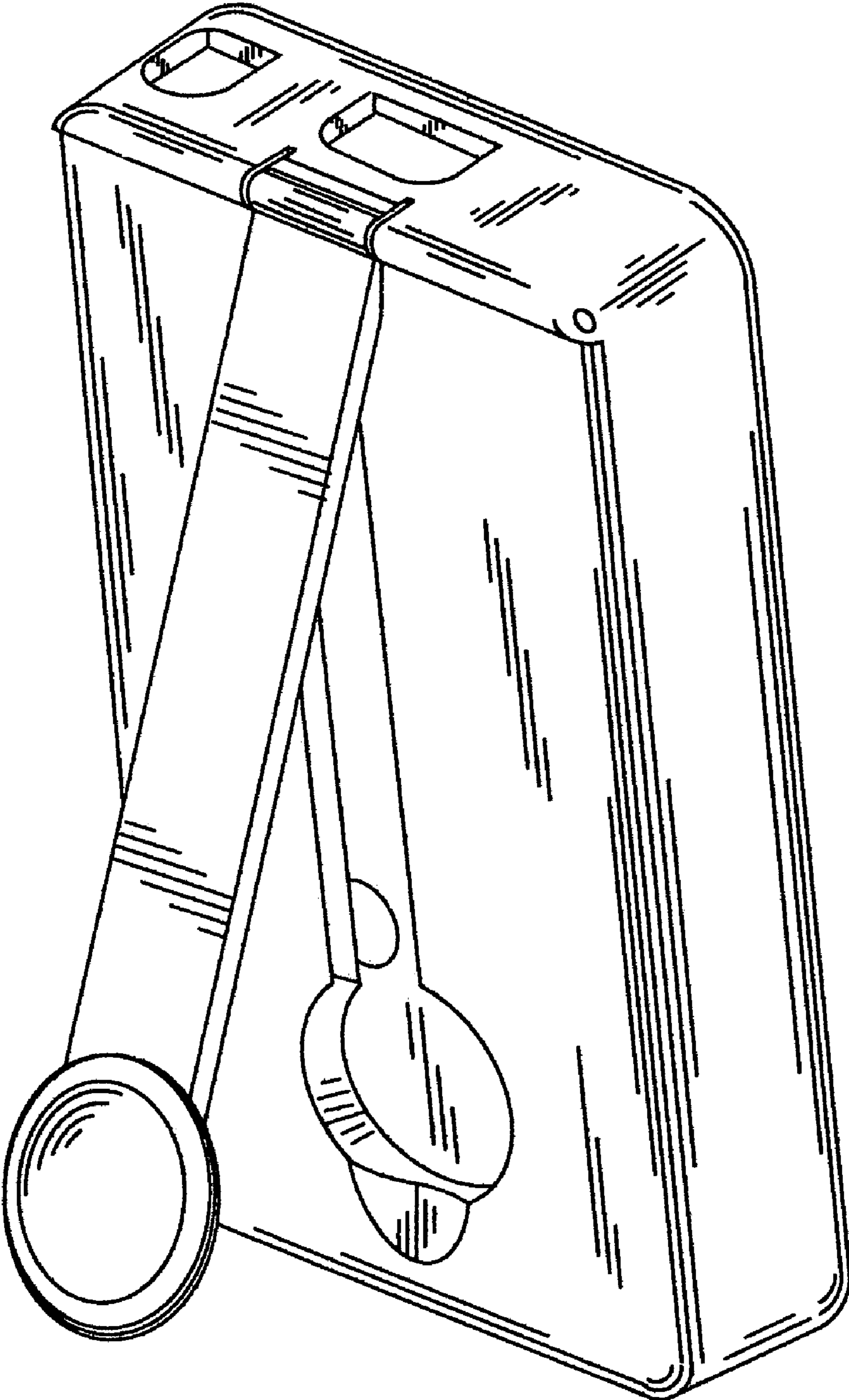


FIG. 4

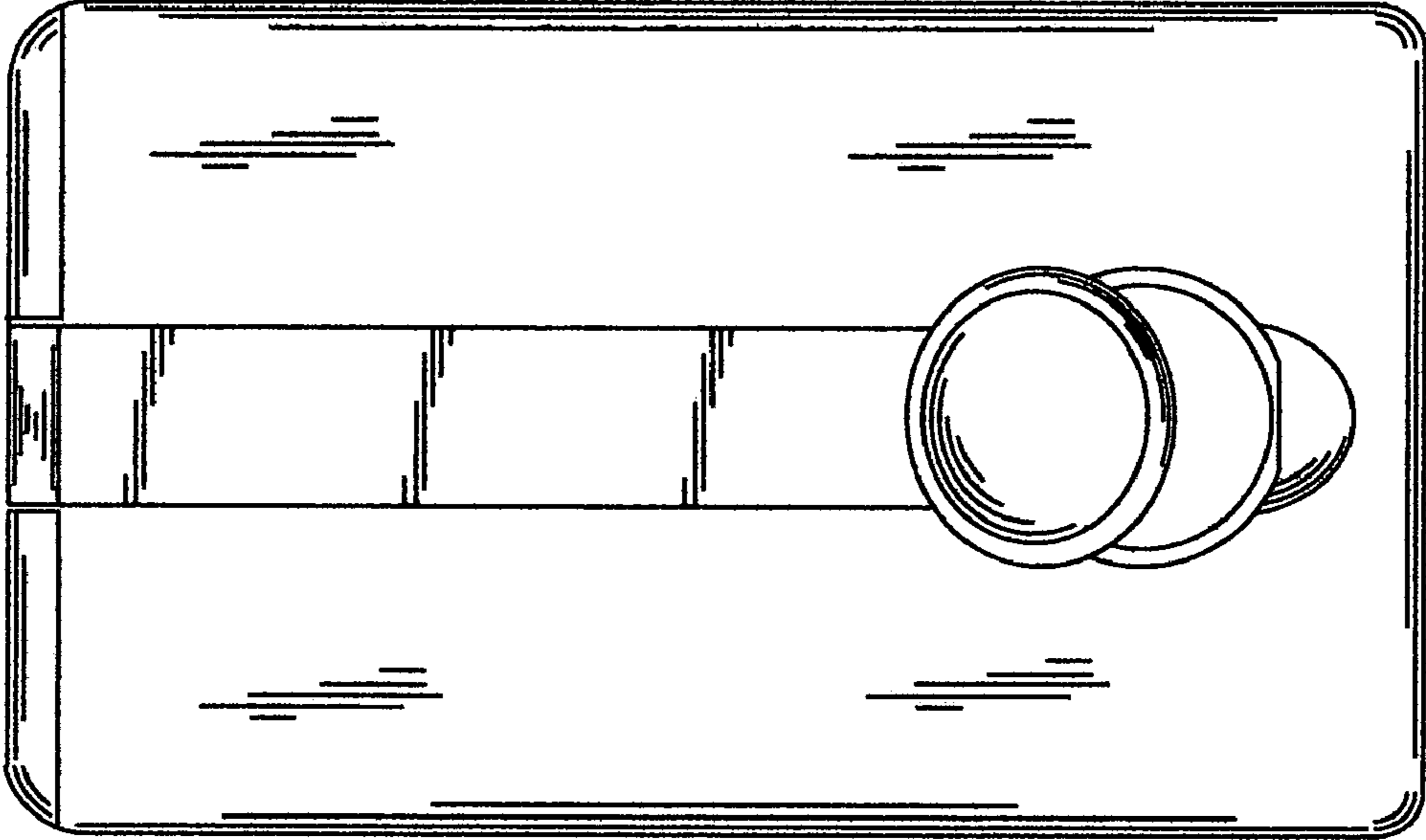


FIG. 3

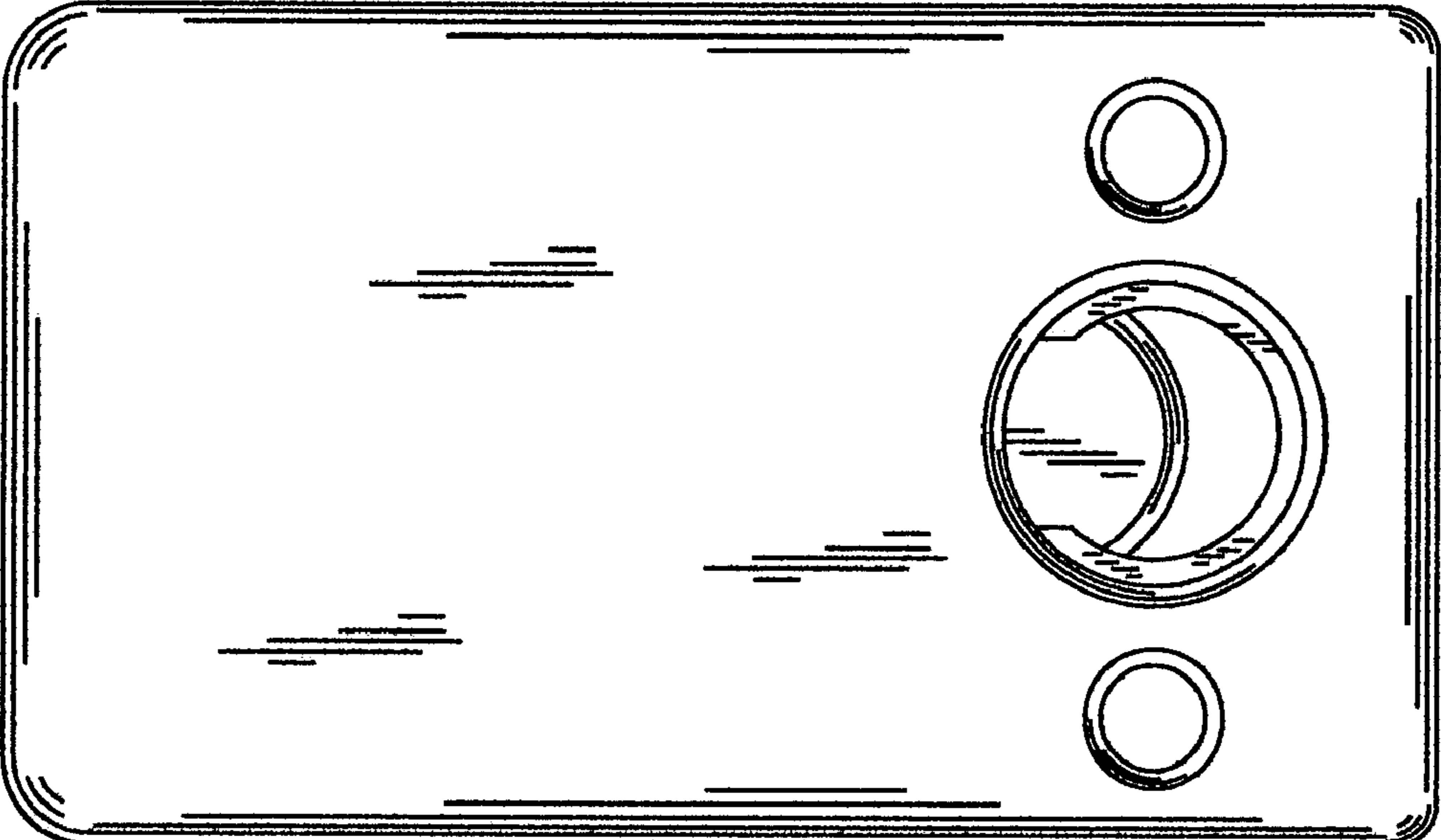


FIG. 5

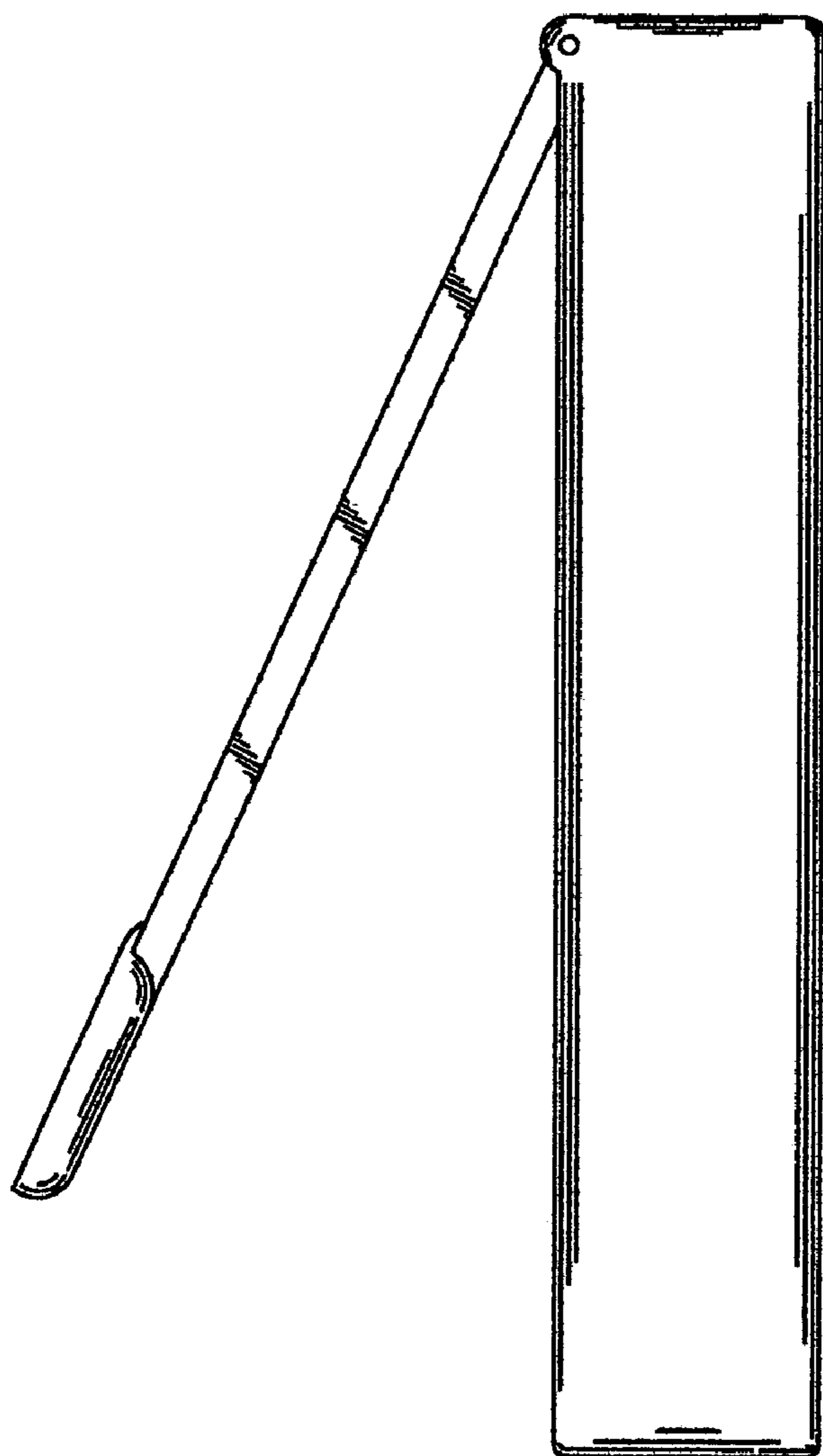
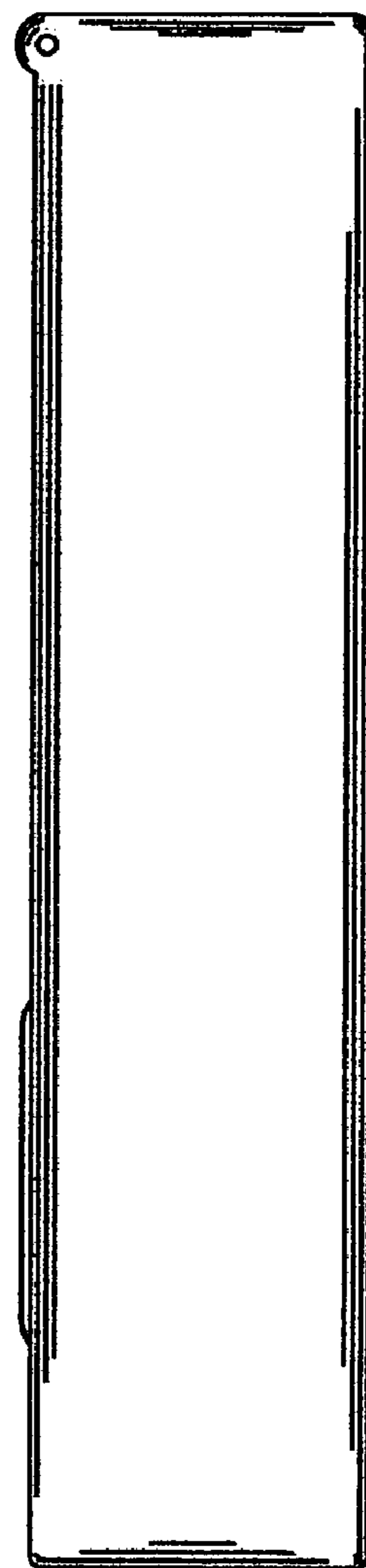


FIG. 12



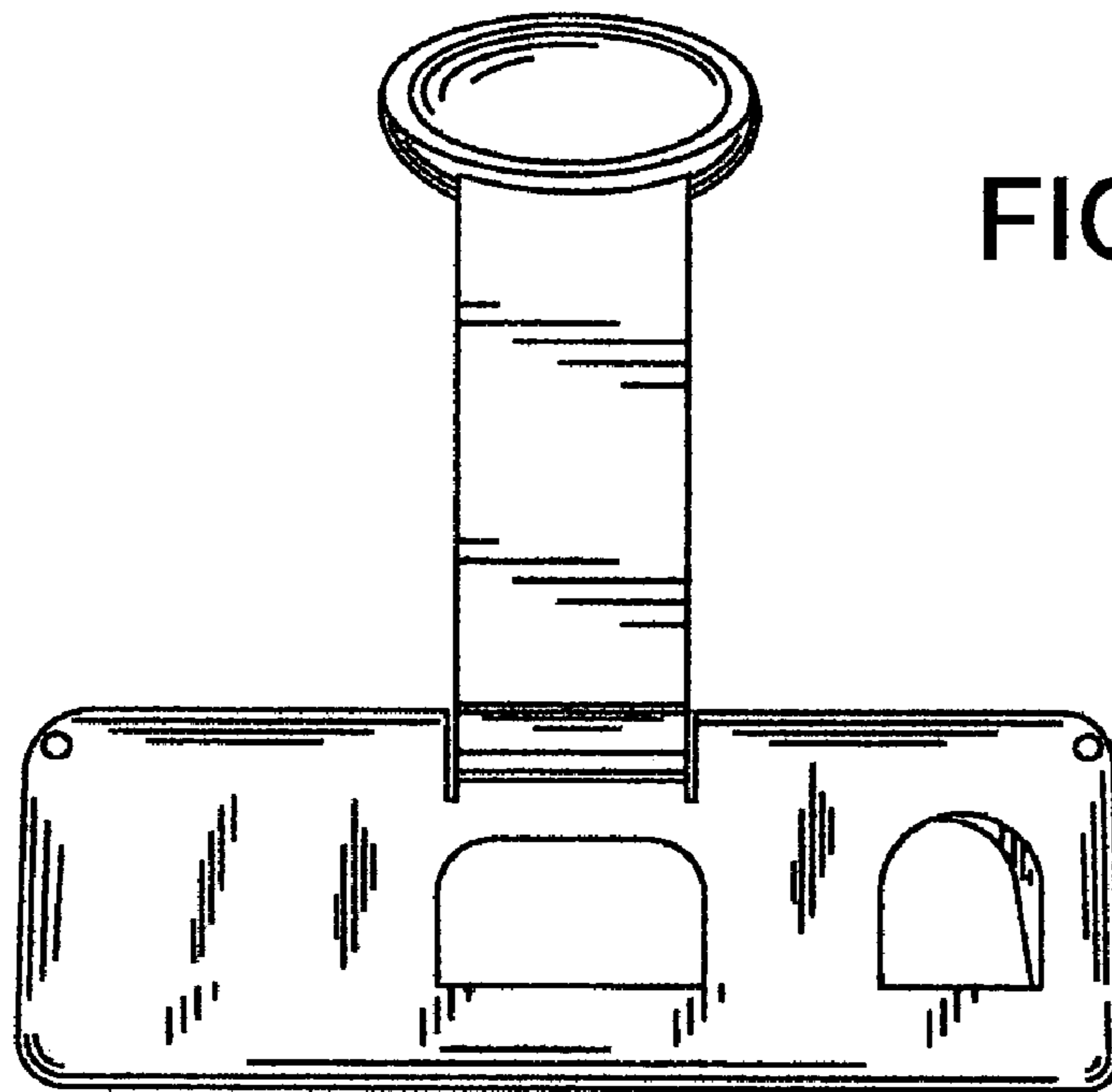


FIG. 6

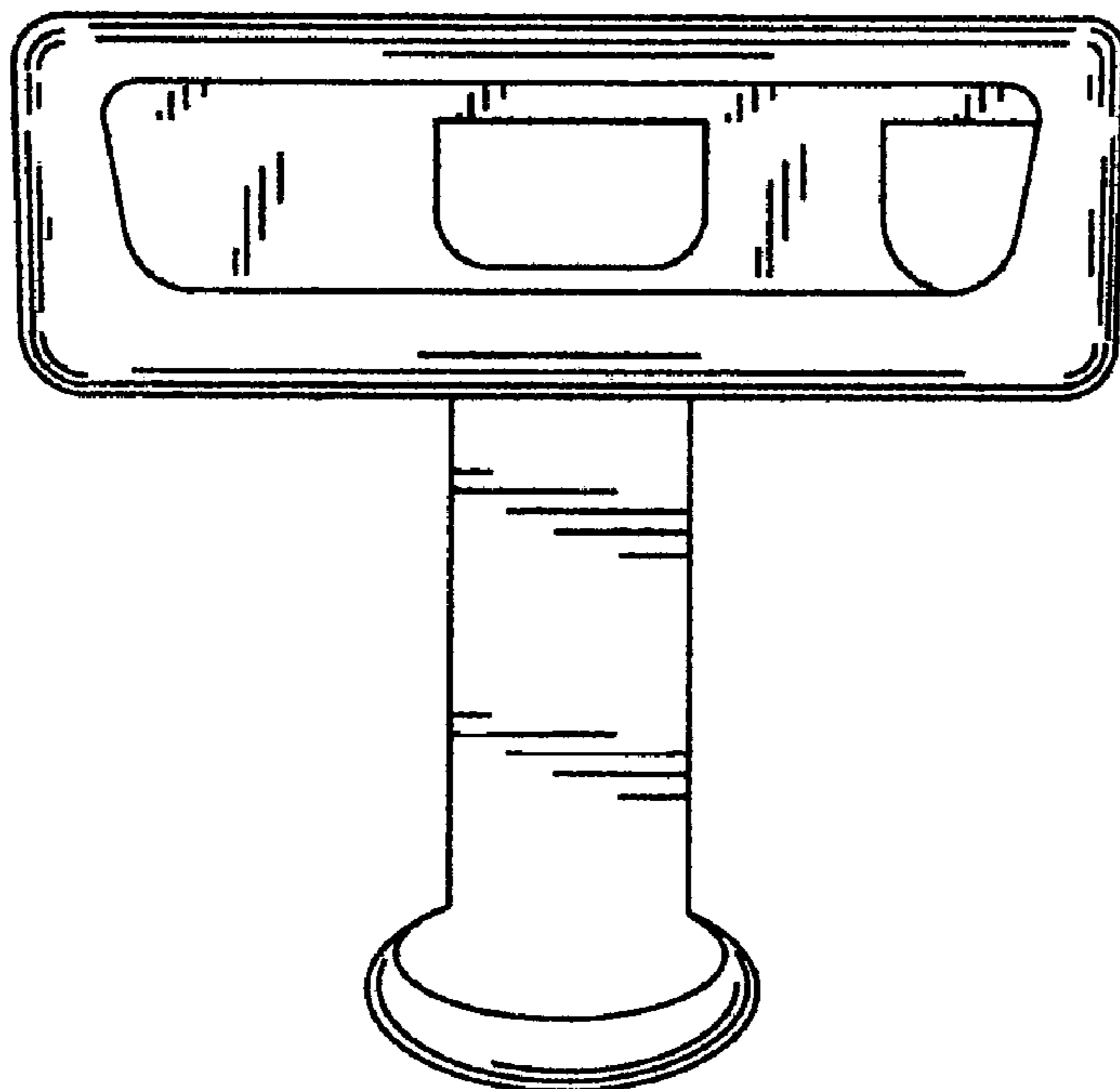


FIG. 7

FIG. 8



FIG. 9

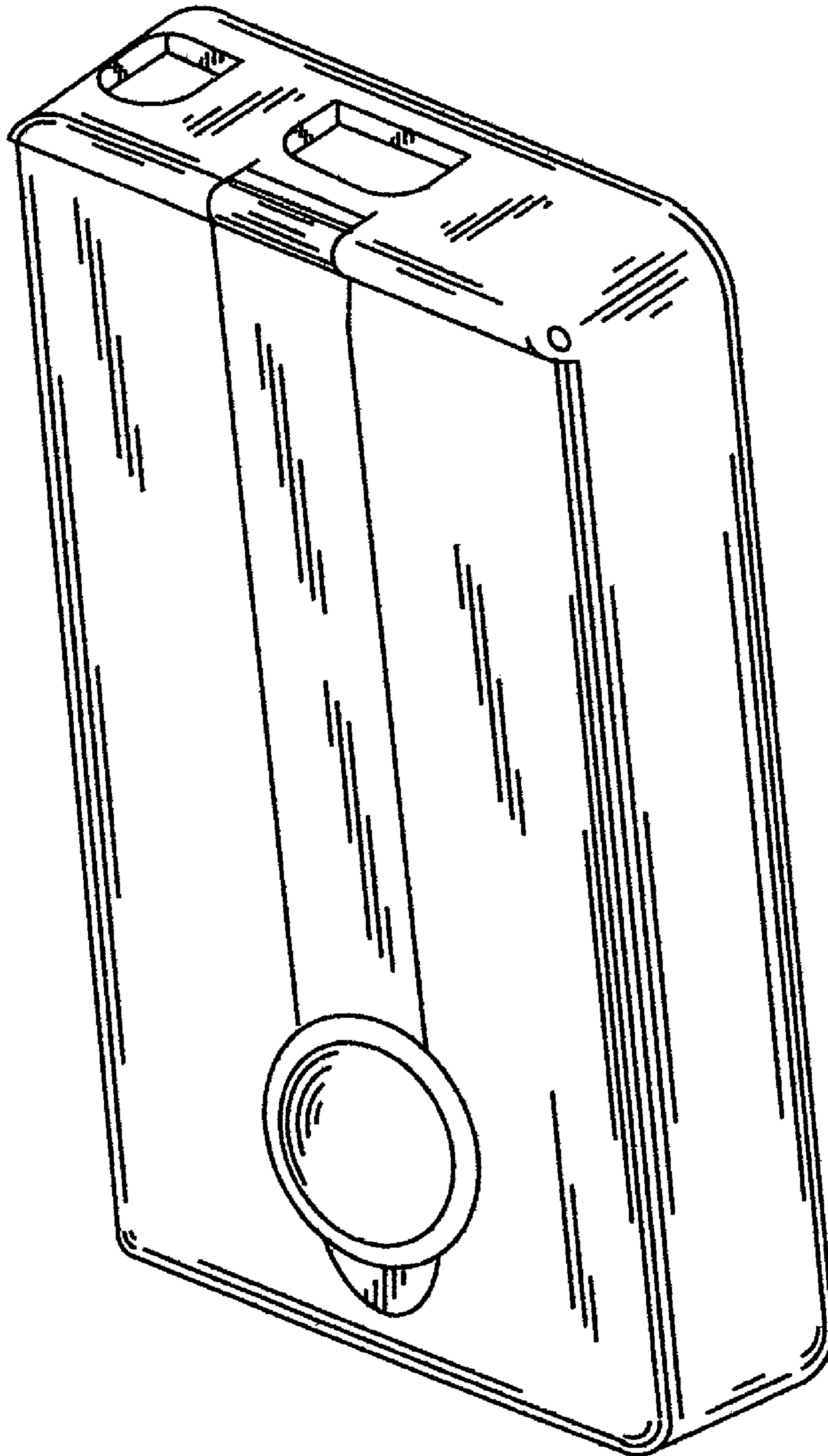


FIG. 11

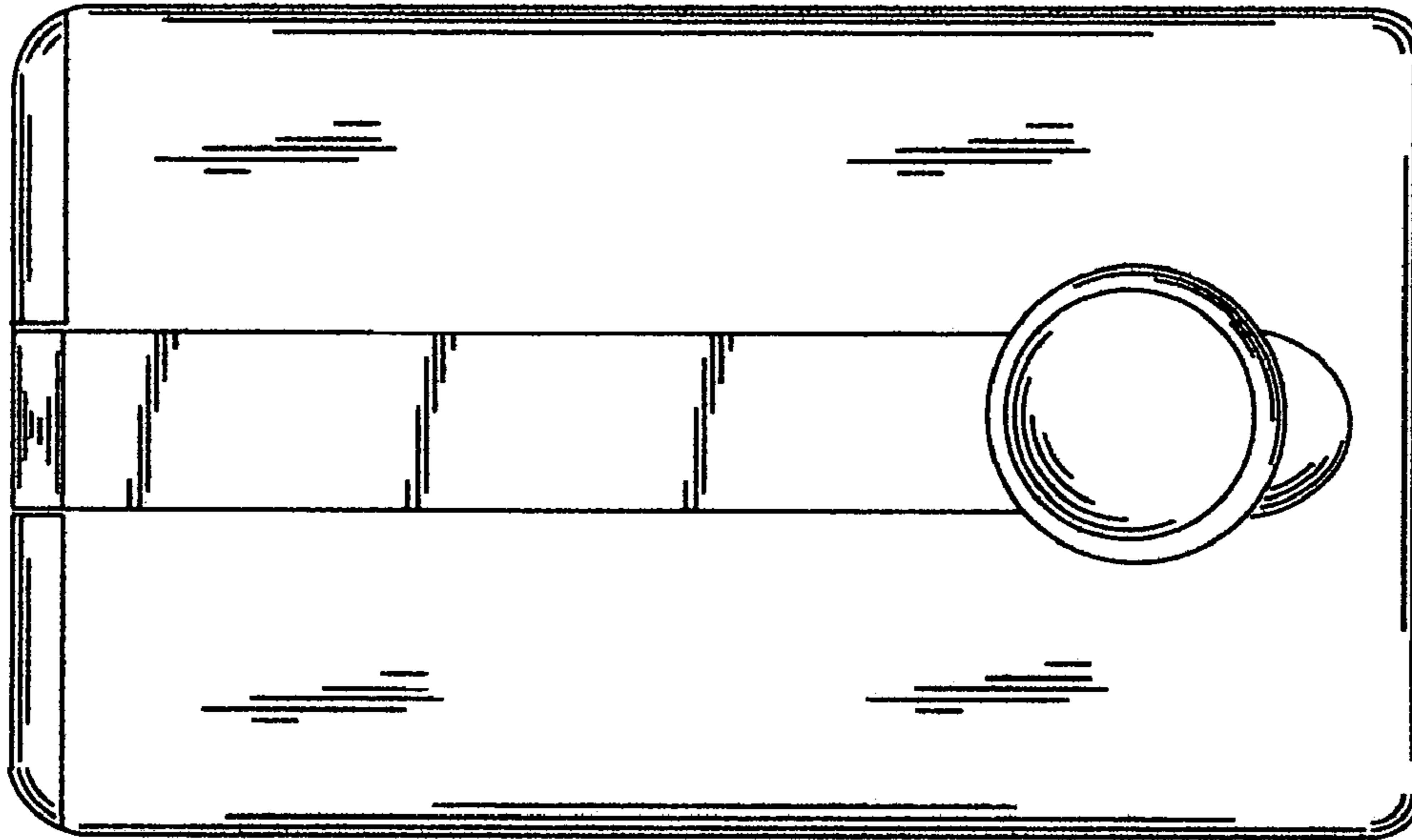


FIG. 10

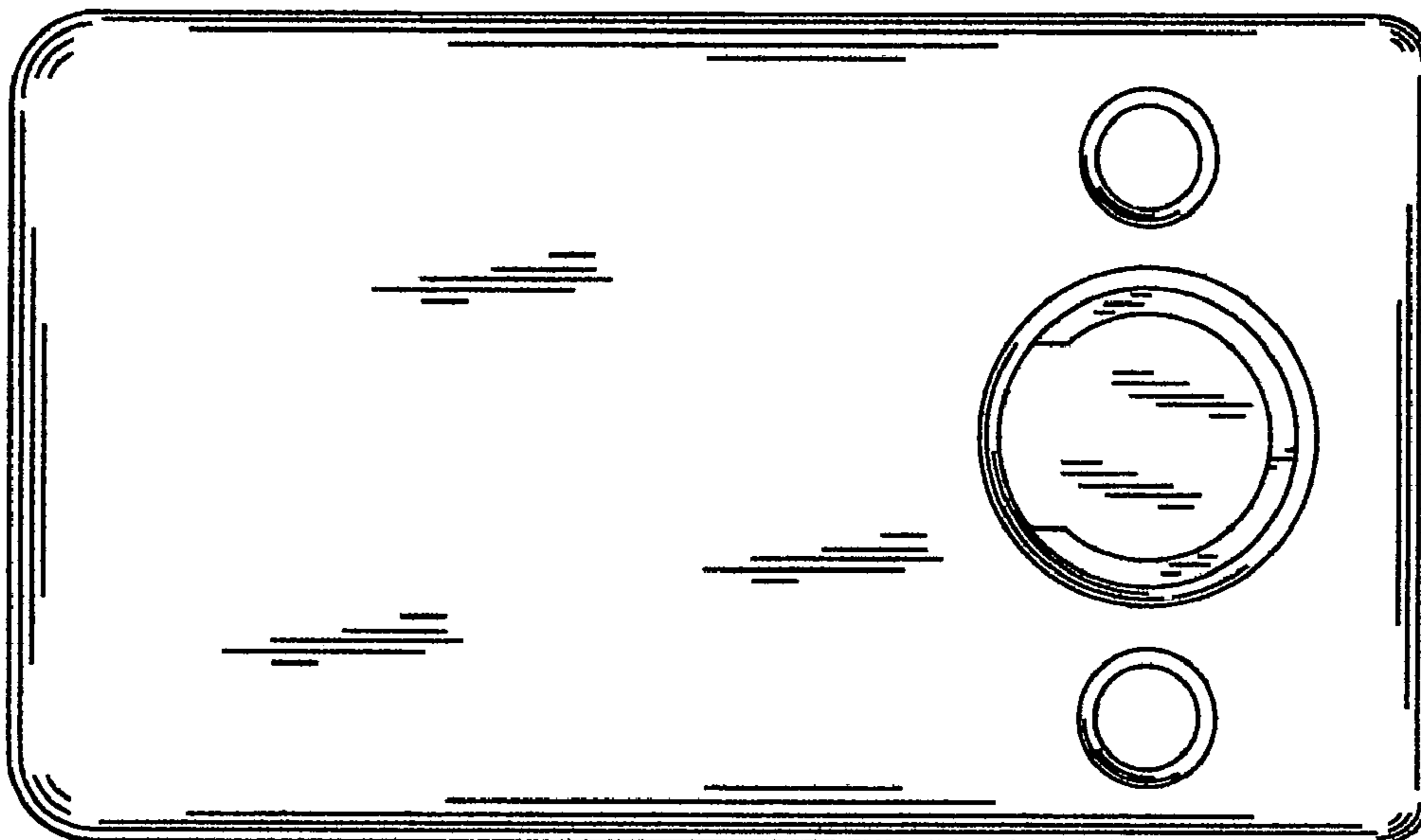


FIG. 13

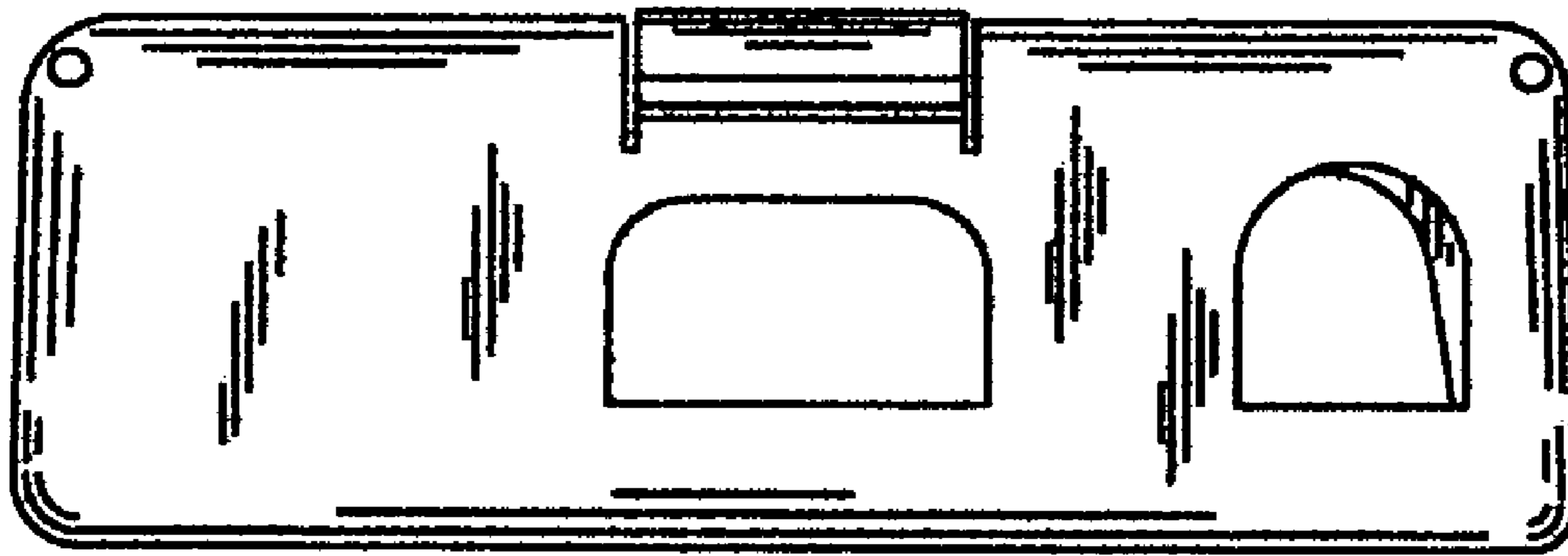


FIG. 14

