



US00D559229S

(12) **United States Design Patent** (10) **Patent No.:** **US D559,229 S**  
**Griffin et al.** (45) **Date of Patent:** **\*\* Jan. 8, 2008**

(54) **CASE WITH STAND FOR AN MP3 PLAYER DEVICE**

7,259,750 B2 \* 8/2007 Ghosh et al. .... 345/168

(75) Inventors: **Paul Griffin**, Nashville, TN (US); **Dan Poon**, Hermitage, TN (US)

\* cited by examiner

*Primary Examiner*—Prabhakar Deshmukh  
(74) *Attorney, Agent, or Firm*—Michael E. McKee

(73) Assignee: **Griffin Technology, Inc.**, Nashville, TN (US)

(57) **CLAIM**

(\*\*) Term: **14 Years**

The ornamental design for a case with stand for an MP3 player device, as shown and described.

(21) Appl. No.: **29/272,875**

(22) Filed: **Feb. 20, 2007**

**DESCRIPTION**

(51) **LOC (8) Cl.** ..... **14-03**

FIG. 1 is a perspective view of the case with stand for an MP3 player device showing our new design and wherein the stand is moved to a stored condition;

(52) **U.S. Cl.** ..... **D14/217; D14/496; D3/218**

FIG. 2 is a bottom view thereof;

(58) **Field of Classification Search** ..... D14/496,

FIG. 3 is a top view thereof;

D14/217, 432, 434, 474, 168, 224, 299; D3/218,

FIG. 4 is a front view thereof;

D3/318, 201, 273; D6/407; 455/1, 95, 100;

FIG. 5 is a back view thereof;

224/908, 929; 206/307, 307.1, 305, 387.1;

FIG. 6 is a left side view thereof;

379/908; 345/156, 162, 905; 463/46, 47

FIG. 7 is a right side view thereof;

See application file for complete search history.

FIG. 8 is a perspective view of the case with stand of FIG. 1 wherein the stand is moved to a condition for supporting the case in an upright condition;

(56) **References Cited**

**U.S. PATENT DOCUMENTS**

|           |      |         |                |           |
|-----------|------|---------|----------------|-----------|
| 6,078,792 | A *  | 6/2000  | Phillips       | 455/575.1 |
| 6,227,361 | B1 * | 5/2001  | Salazar et al. | 206/305   |
| 6,273,252 | B1 * | 8/2001  | Mitchell       | 206/320   |
| 6,375,057 | B1 * | 4/2002  | Gorchian       | 224/682   |
| 6,464,195 | B1 * | 10/2002 | Hildebrandt    | 248/460   |
| D472,373  | S *  | 4/2003  | Hillman        | D3/218    |
| D518,290  | S *  | 4/2006  | Andre et al.   | D3/218    |
| D519,275  | S *  | 4/2006  | Shertzer       | D3/218    |
| 7,046,230 | B2 * | 5/2006  | Zadesky et al. | 345/156   |
| D540,539  | S *  | 4/2007  | Gutierrez      | D3/269    |
| D547,056  | S *  | 7/2007  | Griffin et al. | D3/218    |
| D547,057  | S *  | 7/2007  | Griffin et al. | D3/218    |

FIG. 9 is a top view thereof;

FIG. 10 is a bottom view thereof;

FIG. 11 is a right side view thereof;

FIG. 12 is a left side view thereof;

FIG. 13 is a front view thereof; and,

FIG. 14 is a back view thereof.

**1 Claim, 10 Drawing Sheets**

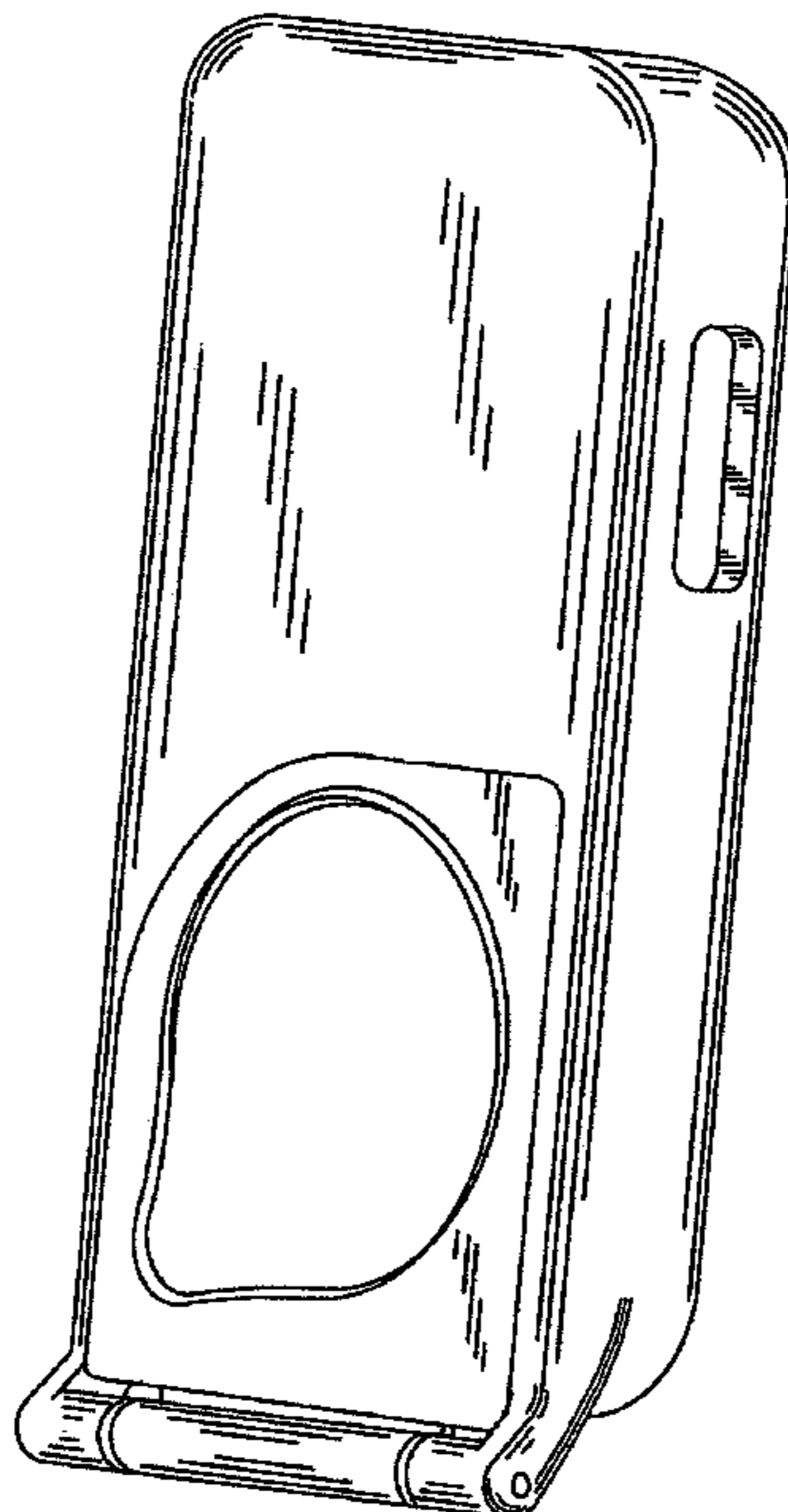


FIG. 1

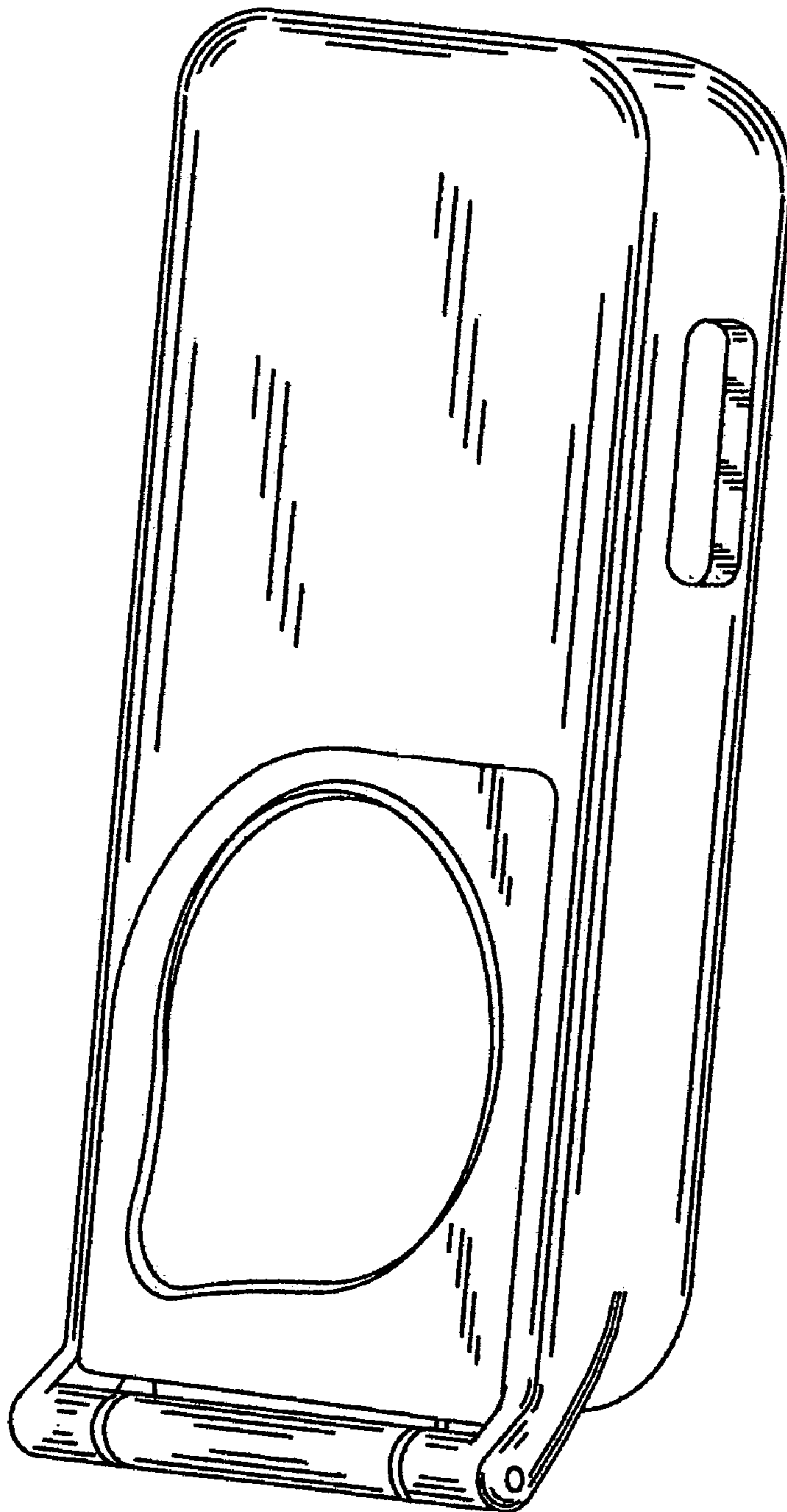


FIG. 2

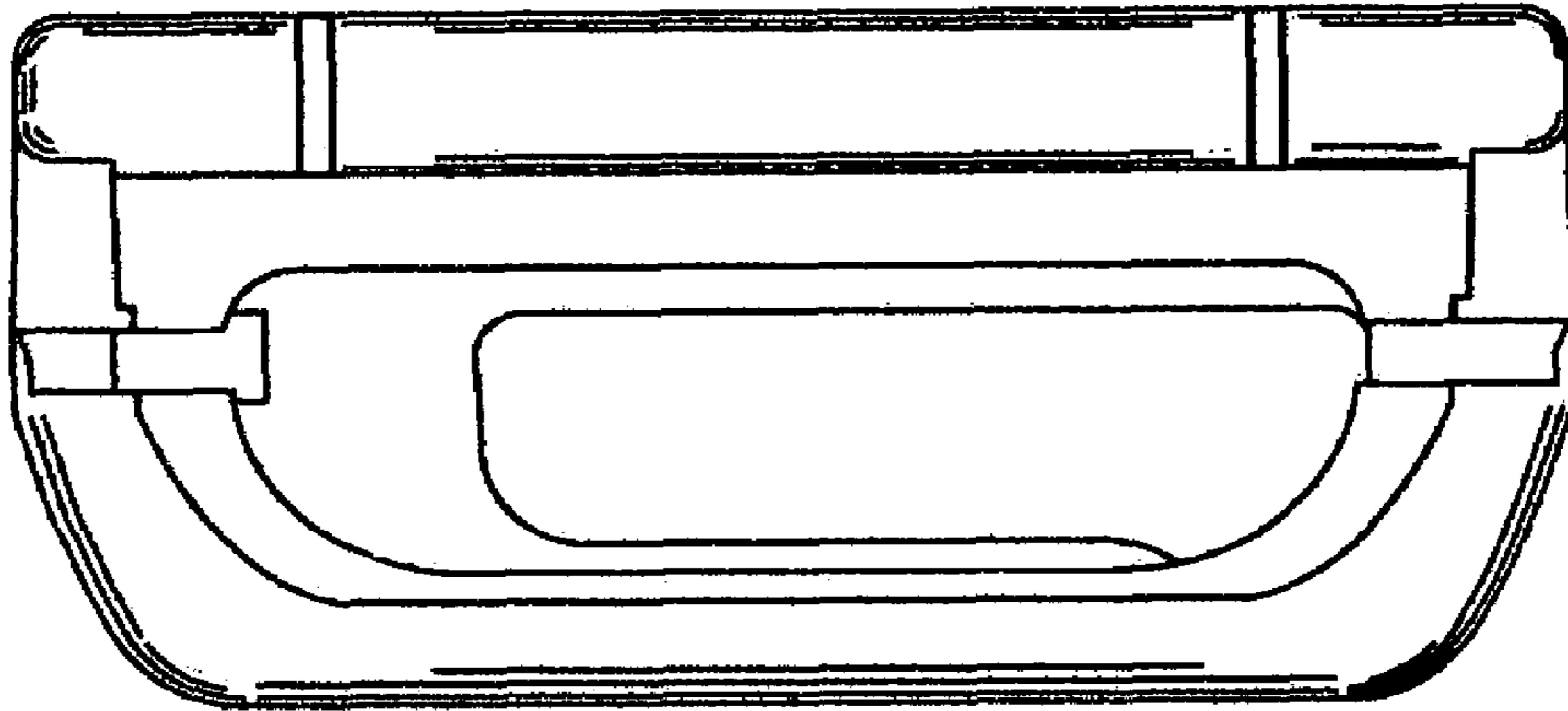


FIG. 3

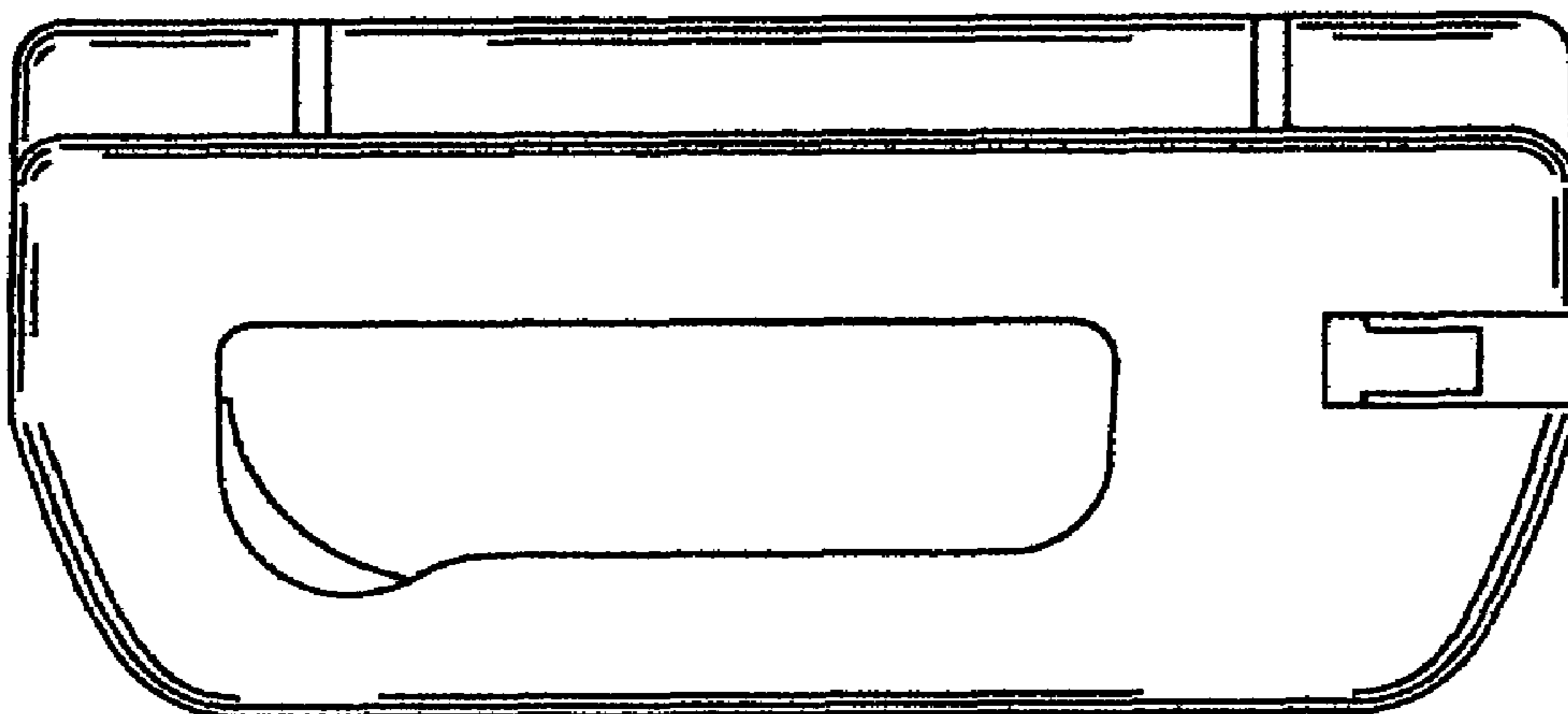


FIG. 4

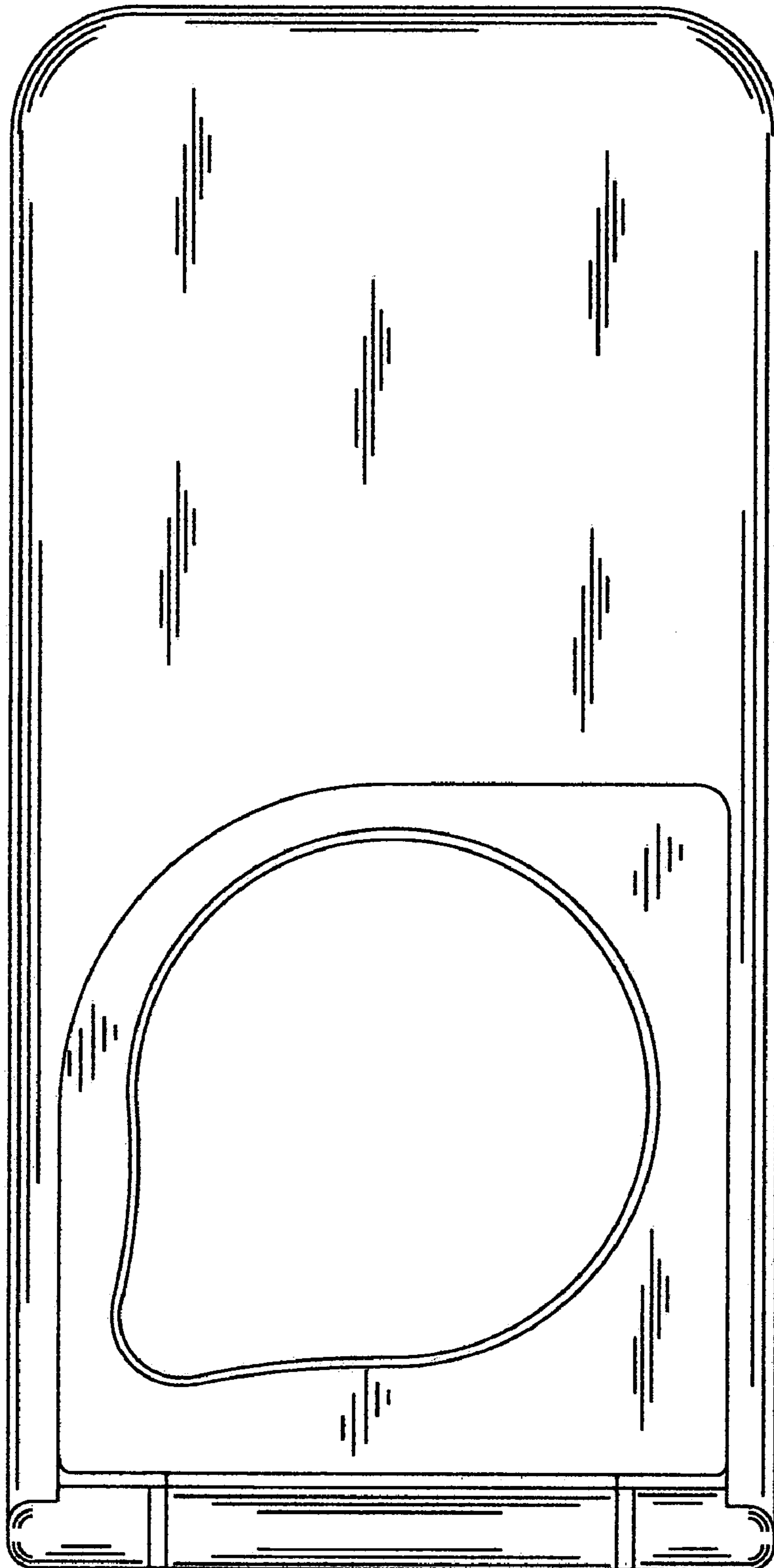


FIG. 5

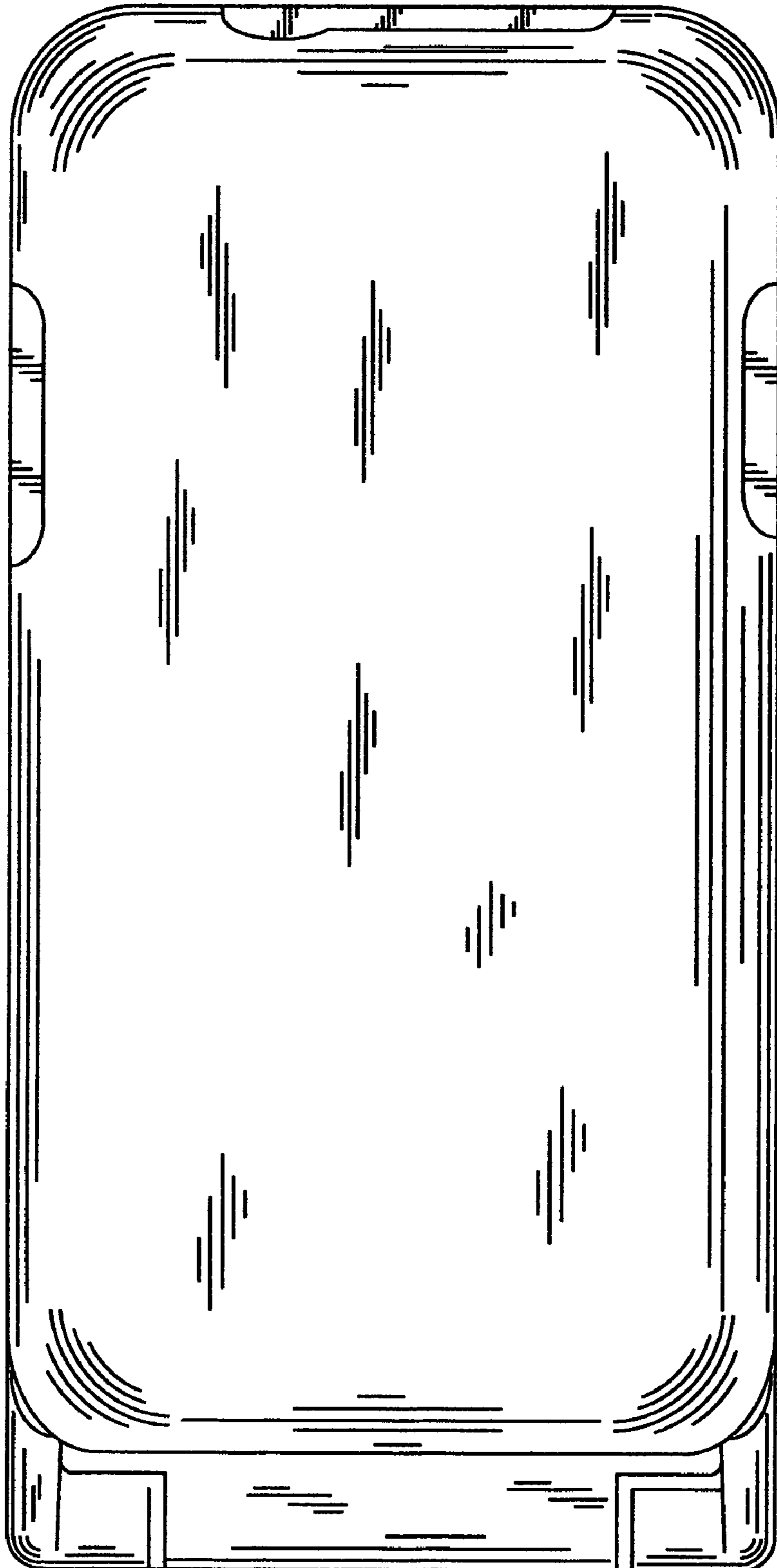


FIG. 6

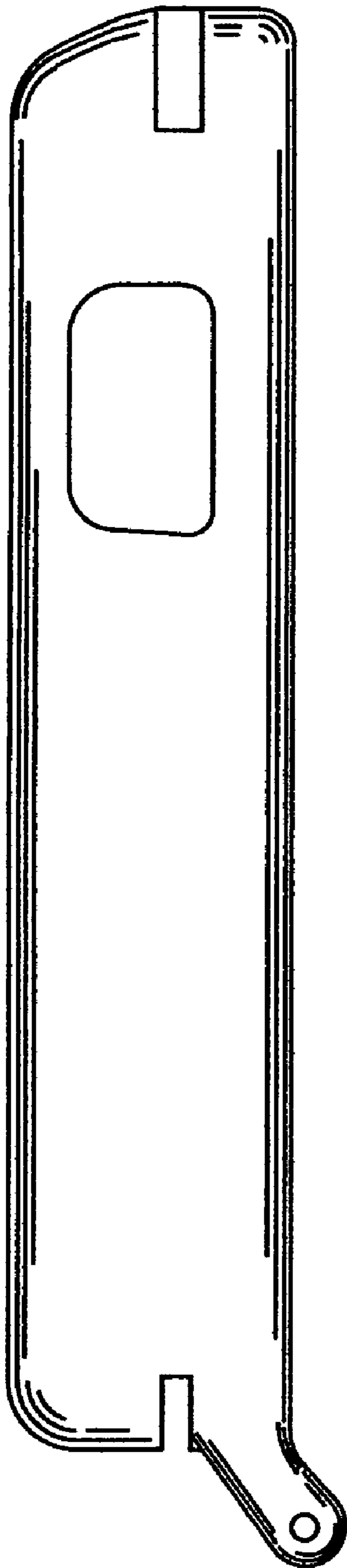
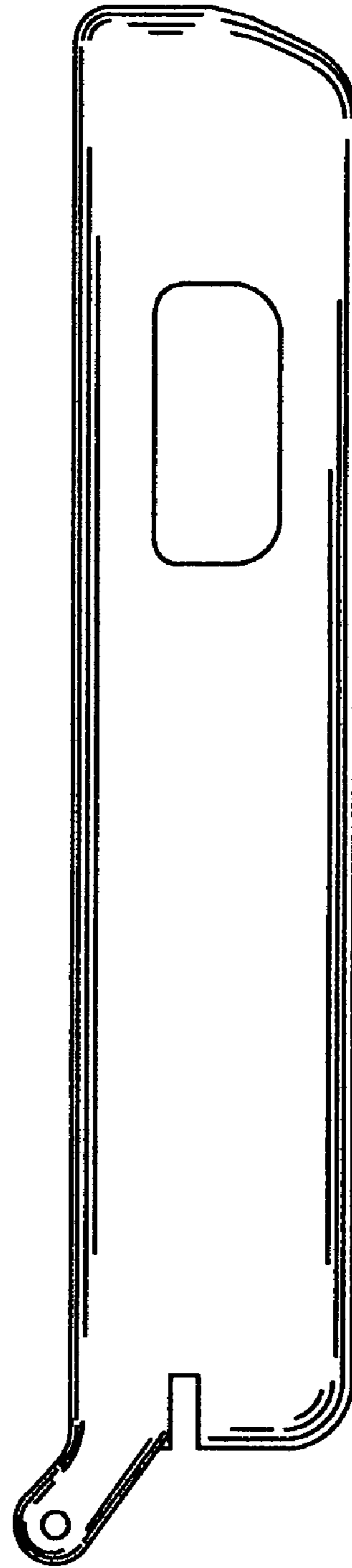


FIG. 7





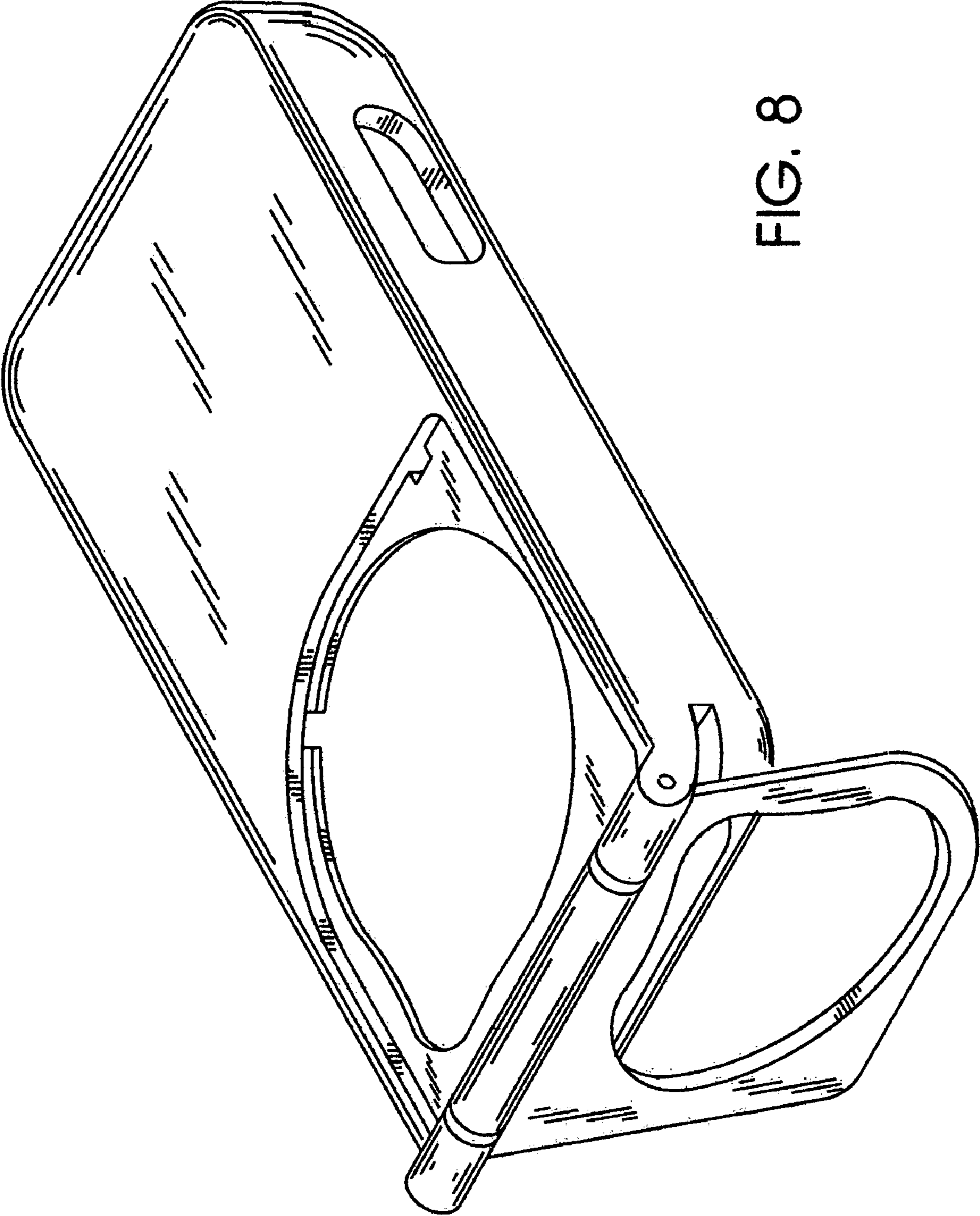


FIG. 8

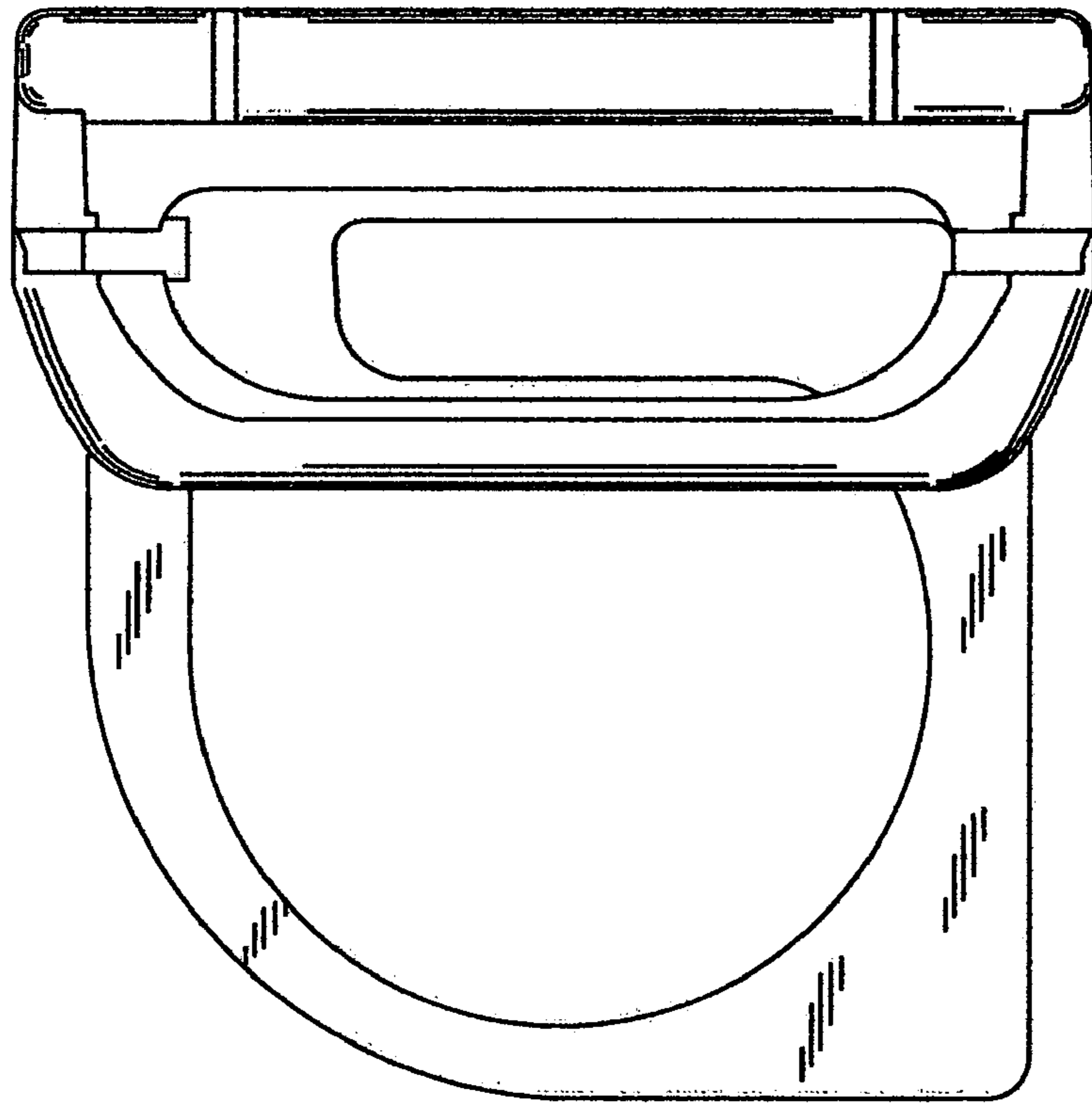


FIG. 9

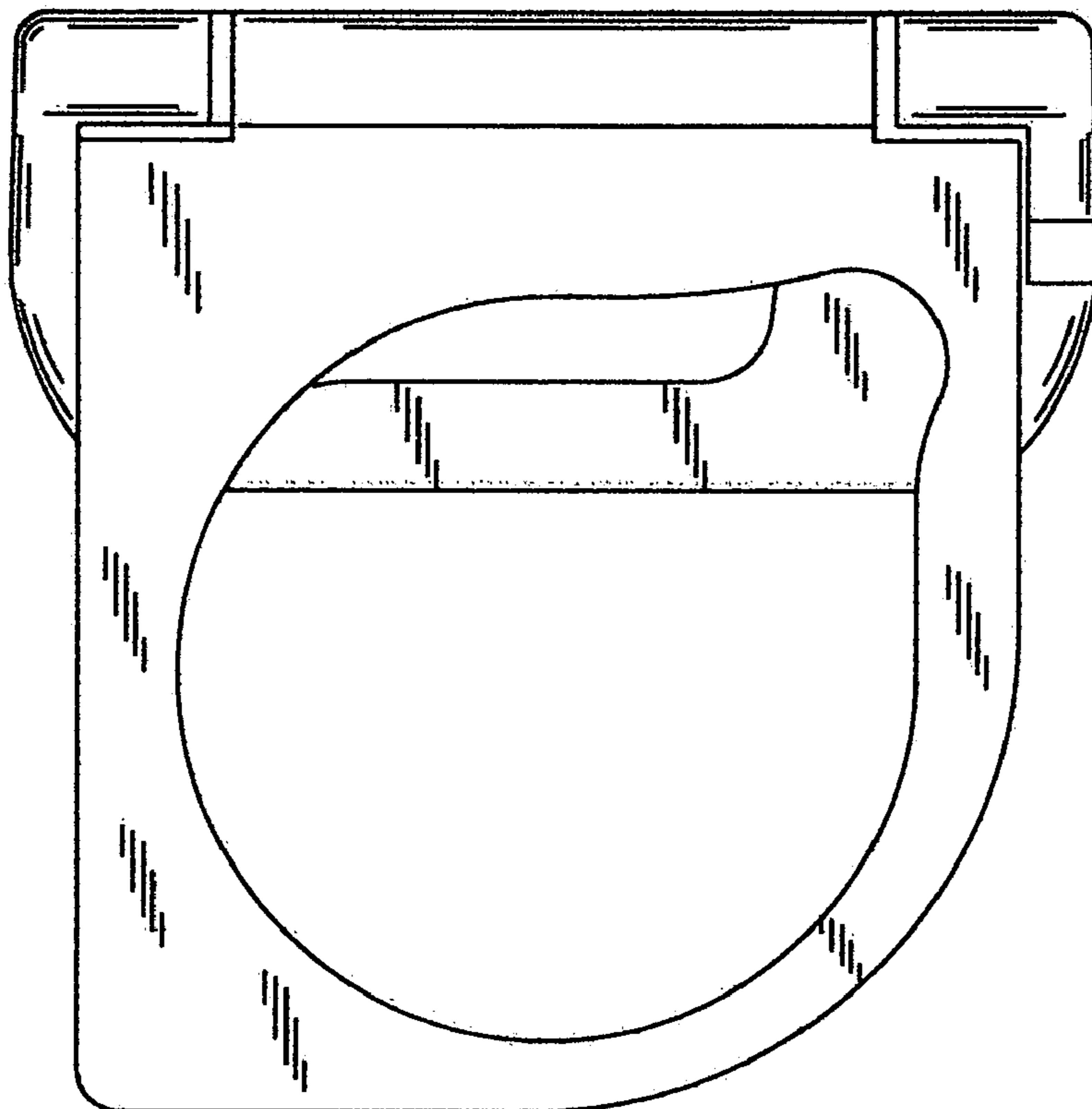


FIG. 10



FIG. 11

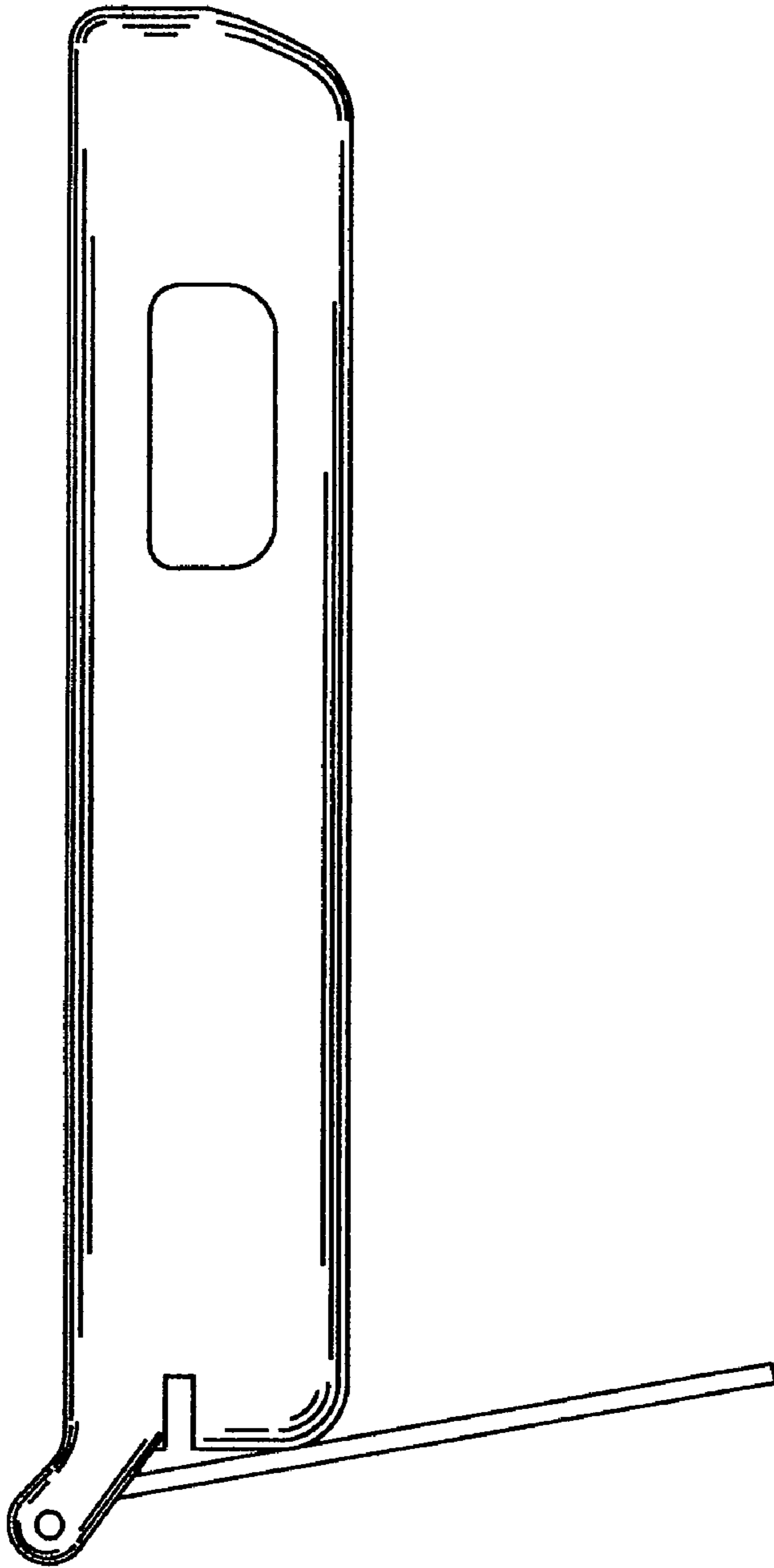


FIG. 12

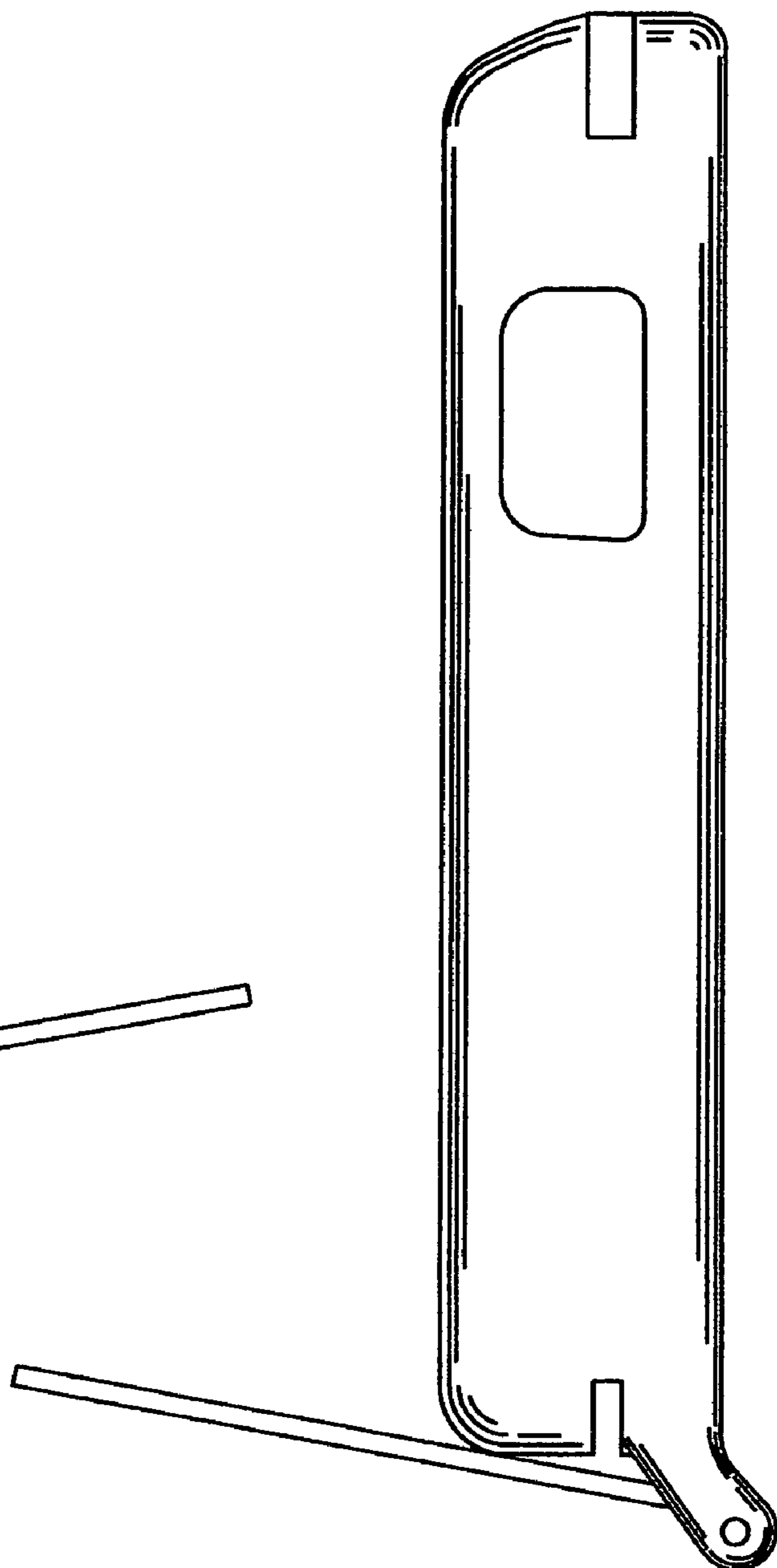


FIG. 13

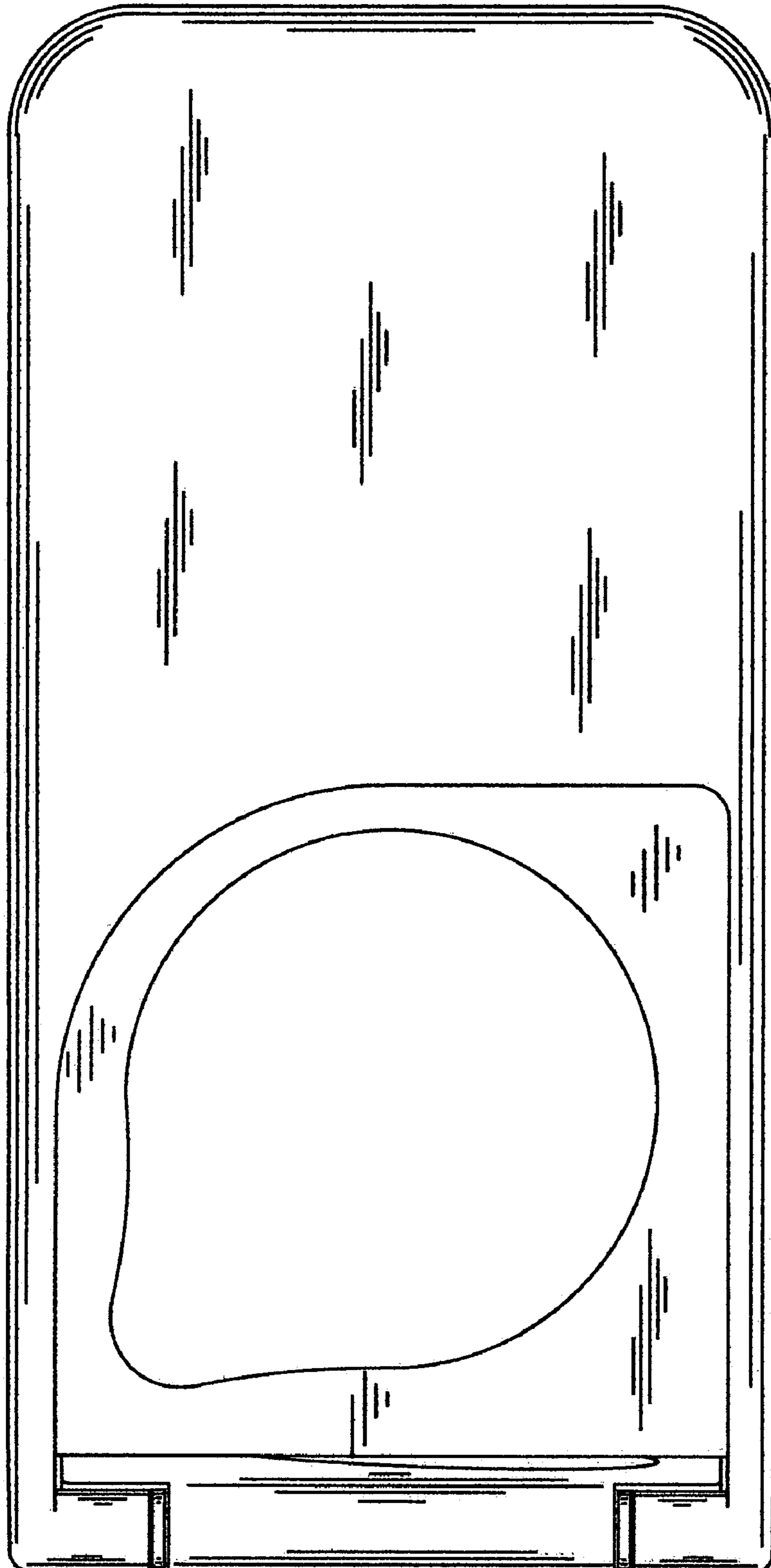


FIG. 14

