



US00D559227S

(12) **United States Design Patent**
Kim

(10) **Patent No.:** **US D559,227 S**
(45) **Date of Patent:** **** Jan. 8, 2008**

(54) **FM TRANSMITTER WITH THE BUILT-IN CIGARETTE LIGHTER (CAR) ADAPTER FOR MP3 PLAYER**

D472,900 S * 4/2003 Matsumoto D14/447
D520,013 S * 5/2006 Yang D14/434
D544,487 S * 2/2007 Hussaini et al. D14/434
D540,774 S * 4/2007 Alwicker et al. D14/155
D544,486 S * 6/2007 Hussaini et al. D14/434

(75) Inventor: **Maria Kim**, Great Neck, NY (US)

* cited by examiner

(73) Assignee: **JWin Electronics Corp.**, Port Washington, NY (US)

Primary Examiner—Cathron C. Brooks

Assistant Examiner—Austin Murphy

(**) Term: **14 Years**

(21) Appl. No.: **29/267,371**

(57) **CLAIM**

(22) Filed: **Oct. 13, 2006**

The ornamental design for a FM transmitter with the built-in cigarette lighter (car) adapter for MP3 player, as shown and described.

(51) **LOC (8) Cl.** **14-03**

(52) **U.S. Cl.** **D14/155**

(58) **Field of Classification Search** D14/167, D14/154, 168, 188, 496, 156, 218, 160, 161, D14/162, 163, 164, 165, 191, 192; D16/208; D26/38; D10/104; 455/350, 351
See application file for complete search history.

DESCRIPTION

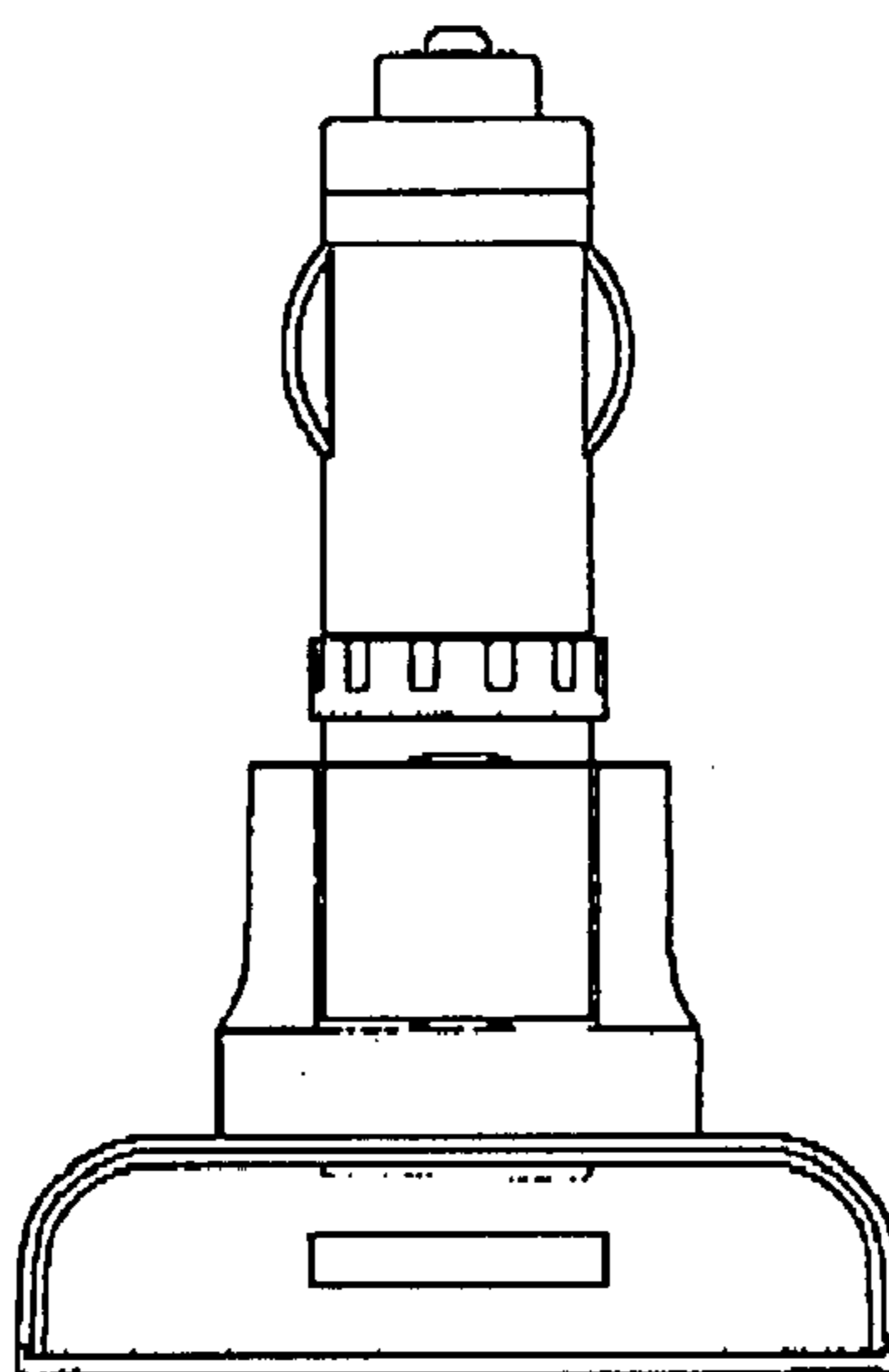
(56) **References Cited**

U.S. PATENT DOCUMENTS

D338,465 S * 8/1993 Hayasaka et al. D14/191
5,248,264 A * 9/1993 Long et al. 439/347
D364,164 S * 11/1995 Hanig D14/192
D380,205 S * 6/1997 Bares D14/242
D419,160 S * 1/2000 Davidson et al. D14/253
D441,735 S * 5/2001 Katayama D14/156
D445,705 S * 7/2001 Kliegman et al. D10/104
D452,233 S * 12/2001 Kubik et al. D14/242

FIG. 1 is a top plan view of a FM transmitter with the built-in cigarette lighter (car) adapter for MP3 player showing my new design;
FIG. 2 is a left side plan view thereof;
FIG. 3 is a front plan view thereof;
FIG. 4 is a right side plan view thereof;
FIG. 5 is a rear plan view thereof;
FIG. 6 is a bottom plan view thereof;
FIG. 7 is a right front side perspective view thereof;
FIG. 8 is a right rear side perspective view thereof; and,
FIG. 9 is an exploded view thereof.

1 Claim, 9 Drawing Sheets



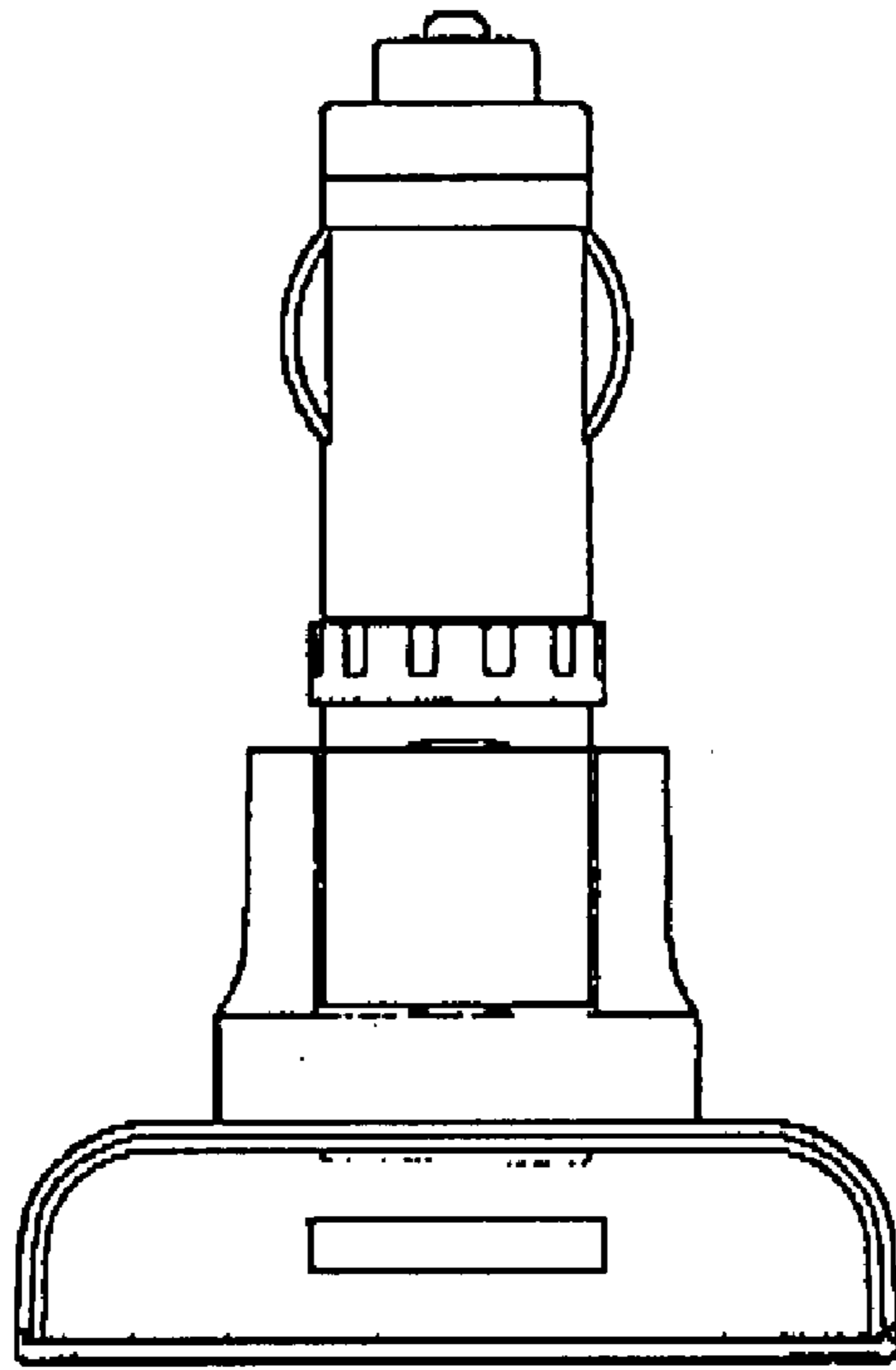


FIG. 1

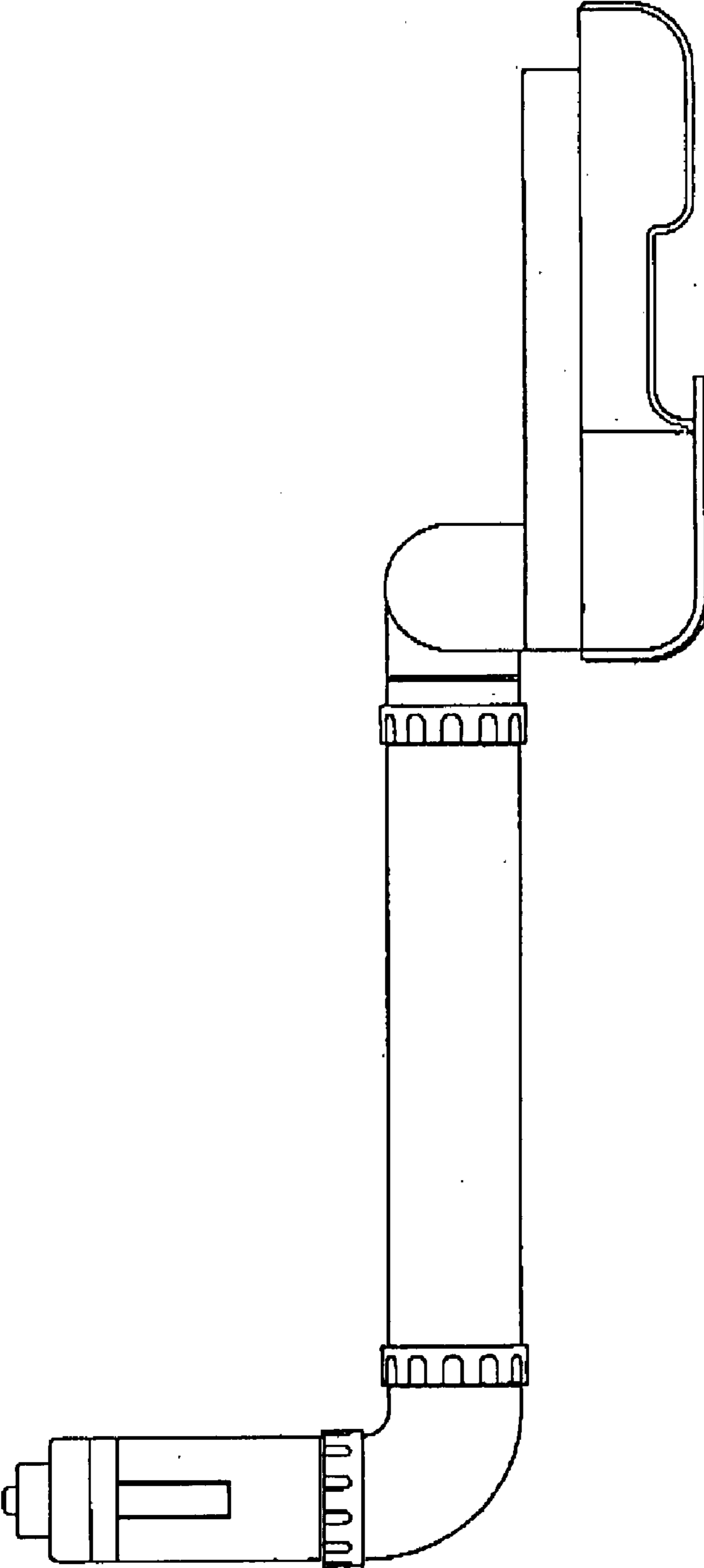


FIG.2

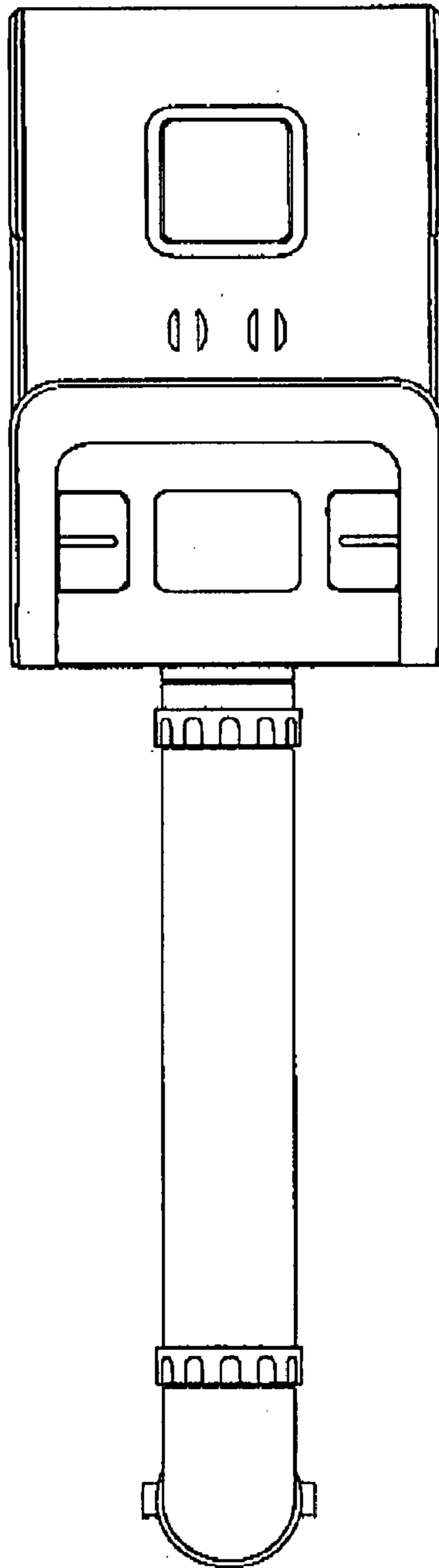


FIG.3

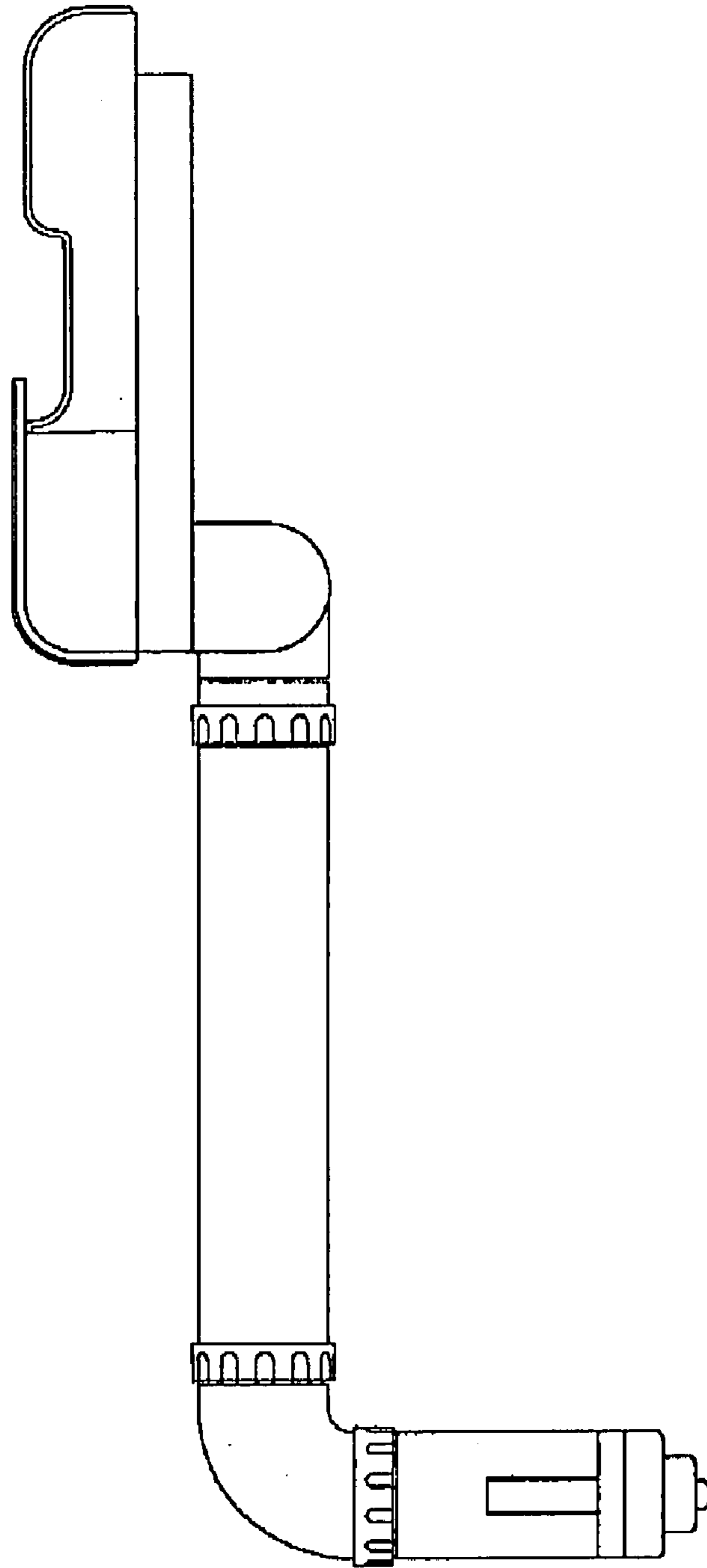


FIG. 4

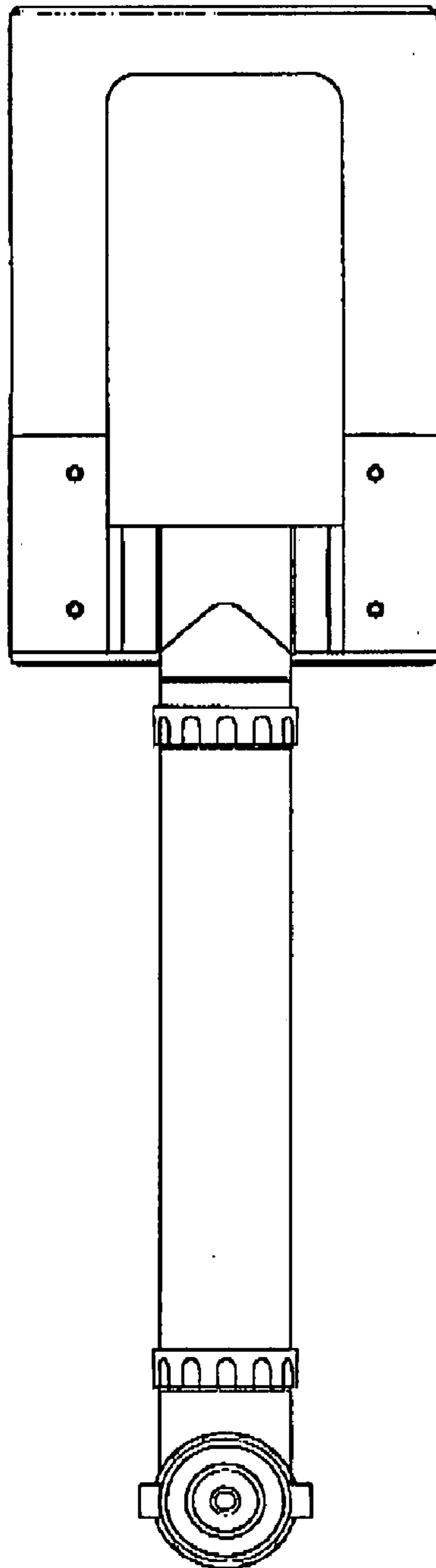


FIG.5

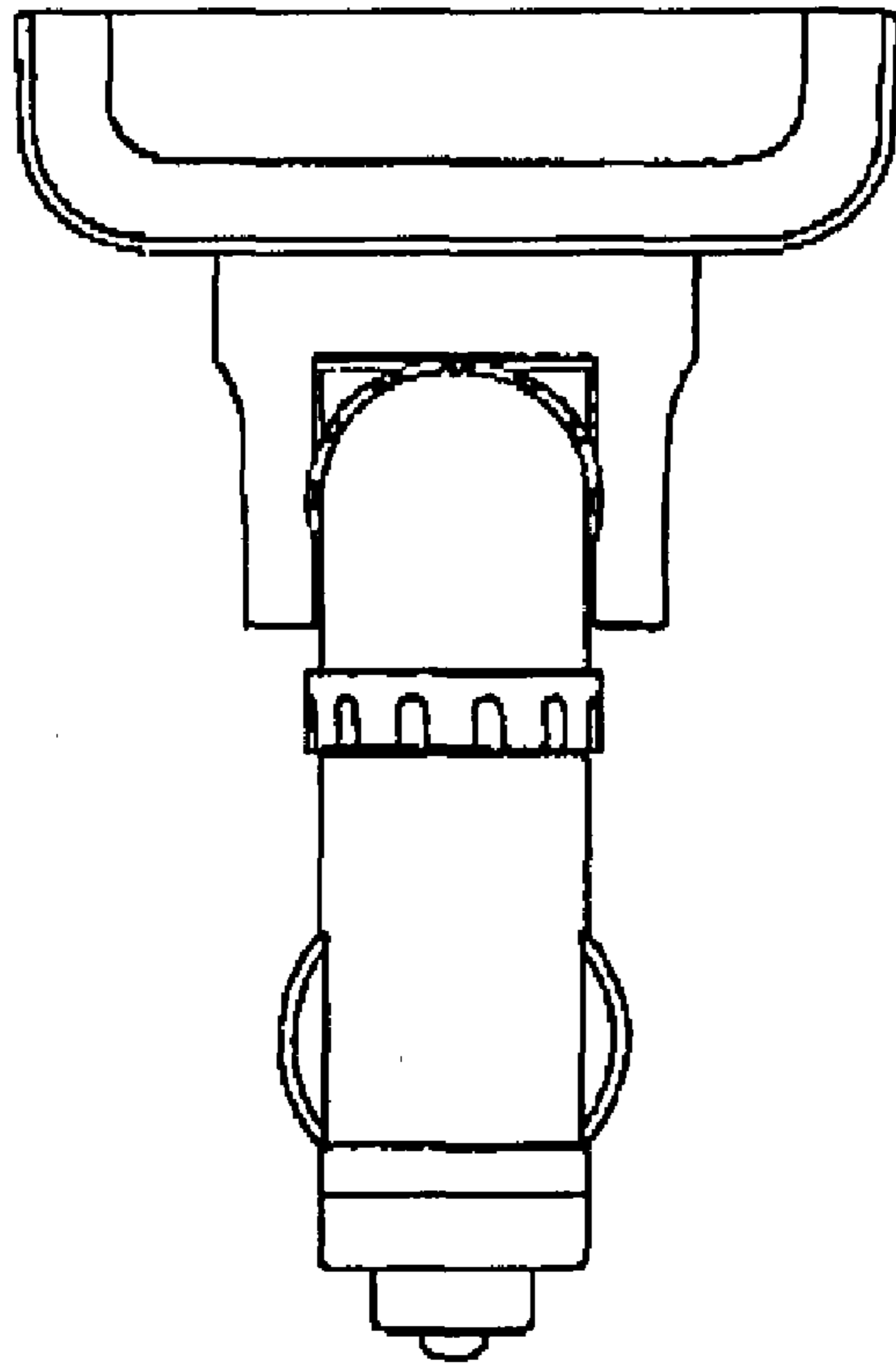


FIG.6

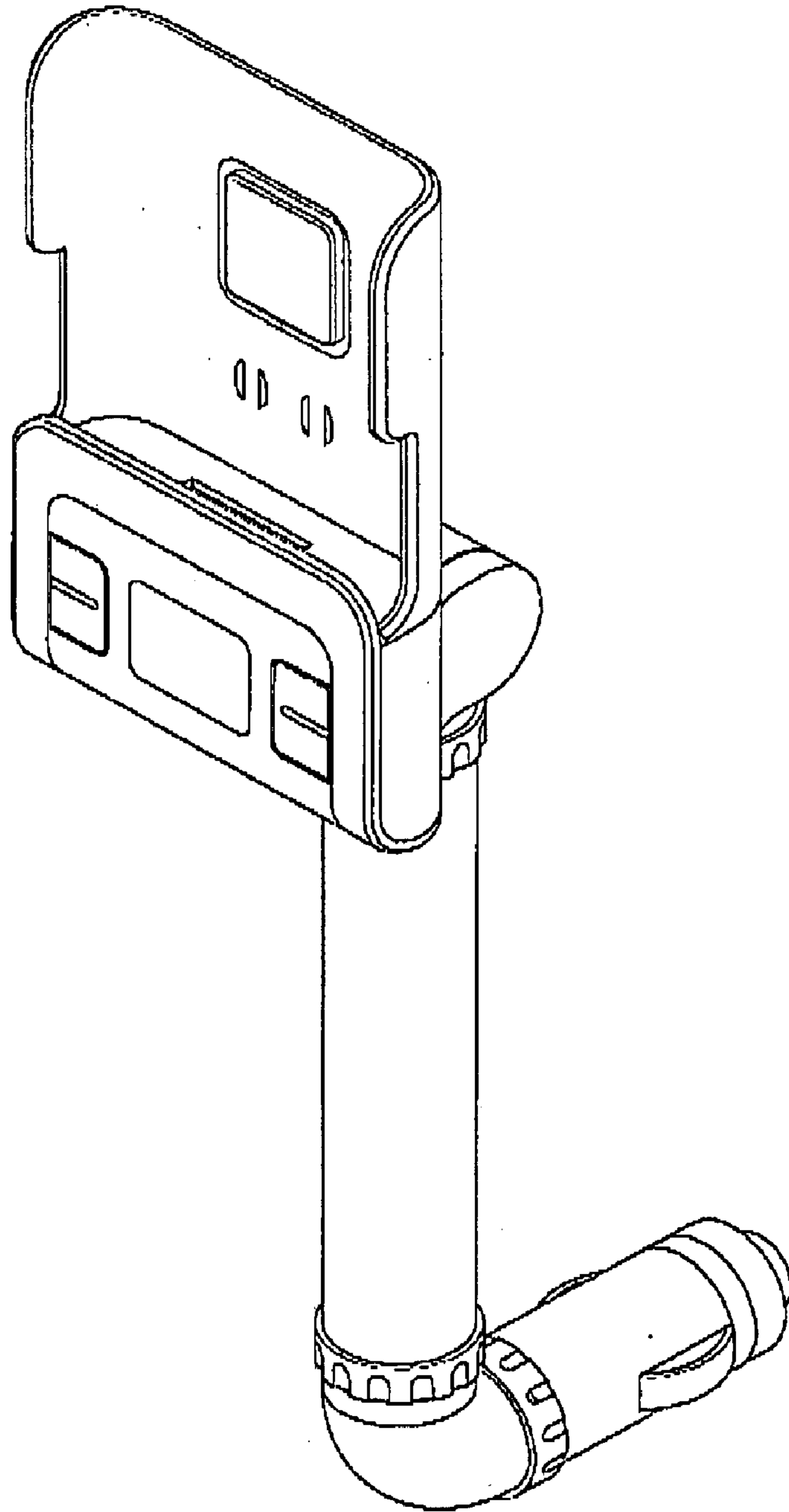


FIG.7

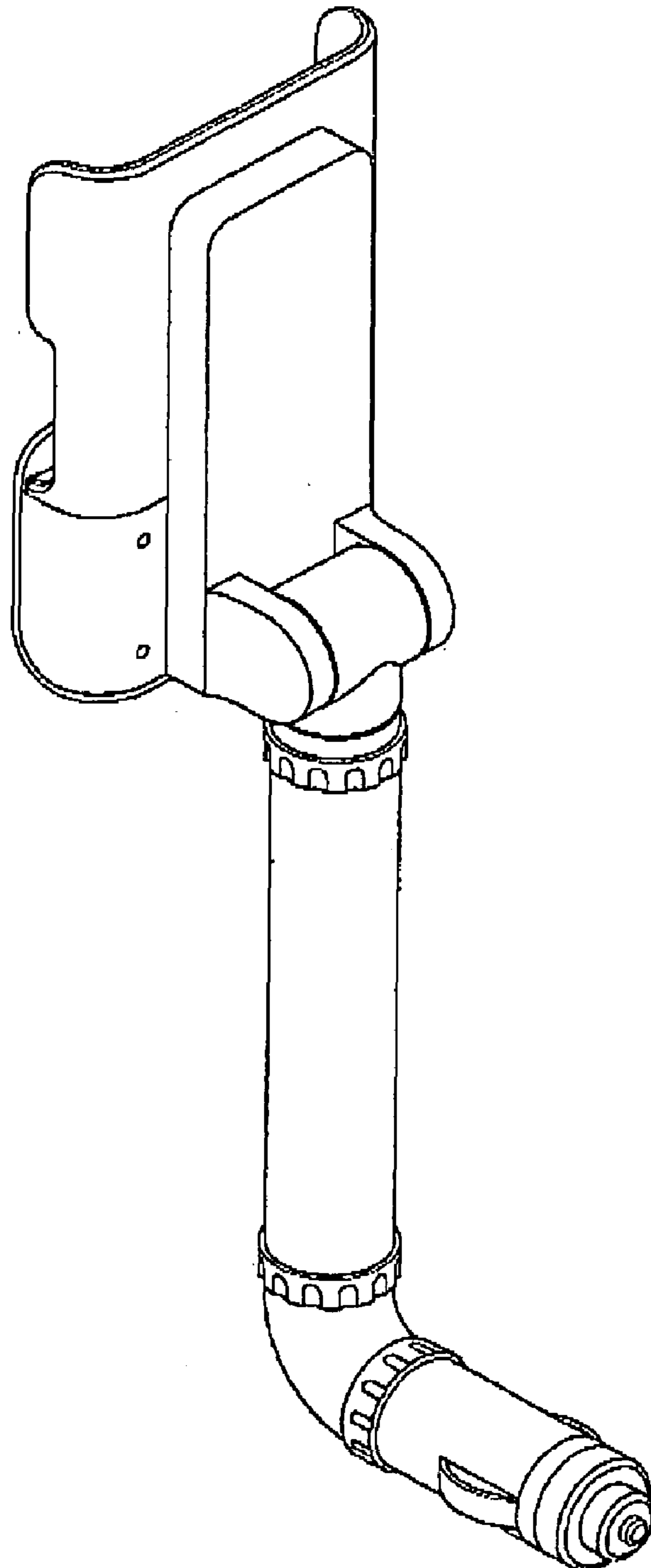


FIG.8

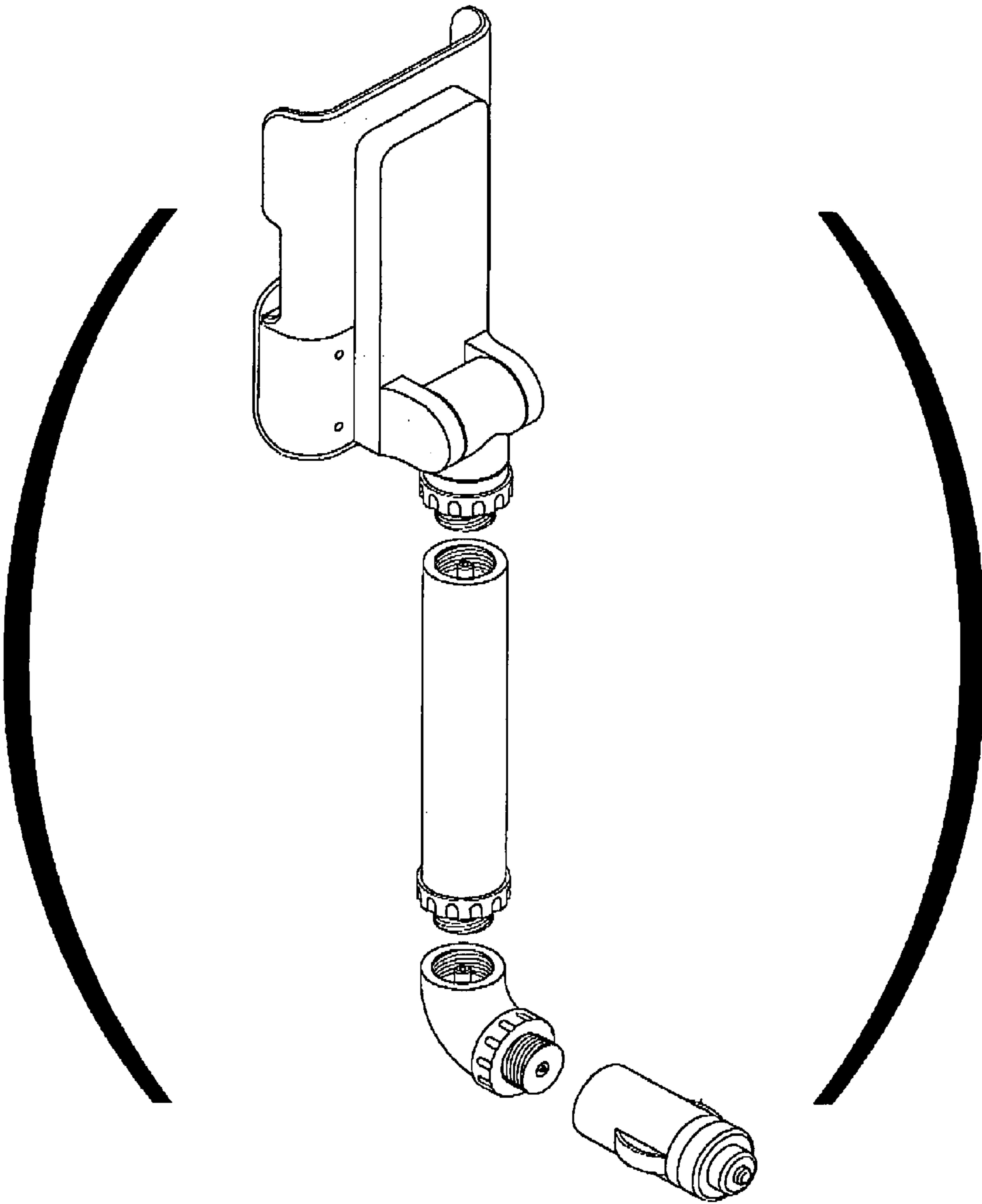


FIG.9