



US00D559225S

(12) **United States Design Patent**  
**Denhez et al.**

(10) **Patent No.:** **US D559,225 S**  
(45) **Date of Patent:** **\*\* Jan. 8, 2008**

(54) **INTERNET TELEPHONE**

D350,541 S \* 9/1994 Chung et al. .... D14/149  
D418,489 S \* 1/2000 Renard ..... D14/329  
D421,603 S \* 3/2000 Meurer ..... D14/130

(75) Inventors: **Nicolas Denhez**, Rancho Dominguez, CA (US); **Mark Serzick**, Rancho Dominguez, CA (US); **Tai-Hyung Ju**, Seoul (KR)

\* cited by examiner

(73) Assignee: **Samsung Electronics Co., Ltd.** (KR)

*Primary Examiner*—Terry A Wallace

(\*\*) Term: **14 Years**

(74) *Attorney, Agent, or Firm*—Cantor Colburn LLP

(21) Appl. No.: **29/263,869**

(57) **CLAIM**

(22) Filed: **Jul. 31, 2006**

We claim, the ornamental design for an internet telephone, as shown and described.

(30) **Foreign Application Priority Data**

May 16, 2006 (KR) ..... 30-2006-0018136

**DESCRIPTION**

(51) **LOC (8) Cl.** ..... **14-03**

(52) **U.S. Cl.** ..... **D14/140**

(58) **Field of Classification Search** ..... D14/130,  
D14/147–151, 137, 138, 140, 144, 329, 248,  
D14/140.8; 348/14.01–14.16, 211.99; 370/352,  
370/356; 382/557; 455/557, 566; 379/88.17,  
379/90.01, 93.17, 93.19, 93.22, 102.06, 419,  
379/420.01–420.04, 428.01–428.04, 433.01–436,  
379/440, 441, 454, 900

See application file for complete search history.

FIG. 1 is a top and front perspective view of an internet telephone, showing our new design;  
FIG. 2 is a front elevational view thereof;  
FIG. 3 is a rear elevational view thereof;  
FIG. 4 is a left side elevational view thereof;  
FIG. 5 is a right side elevational view thereof;  
FIG. 6 is a top plan view thereof;  
FIG. 7 is a bottom plan view thereof; and,  
FIG. 8 is a top and front perspective view thereof, the internet telephone being in an alternate position.

(56) **References Cited**

**U.S. PATENT DOCUMENTS**

D328,071 S \* 7/1992 Wu ..... D14/150

**1 Claim, 3 Drawing Sheets**

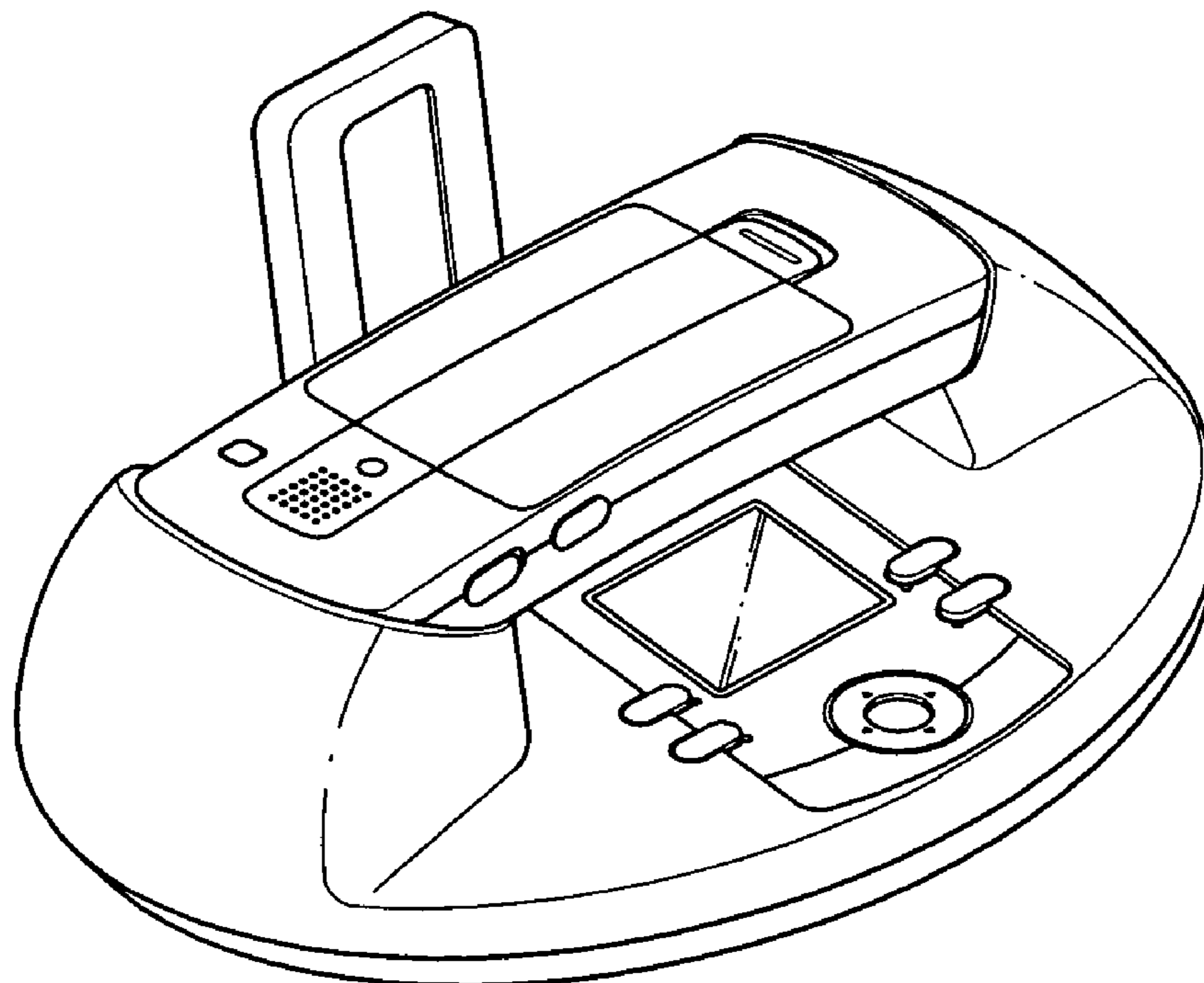


FIG. 1

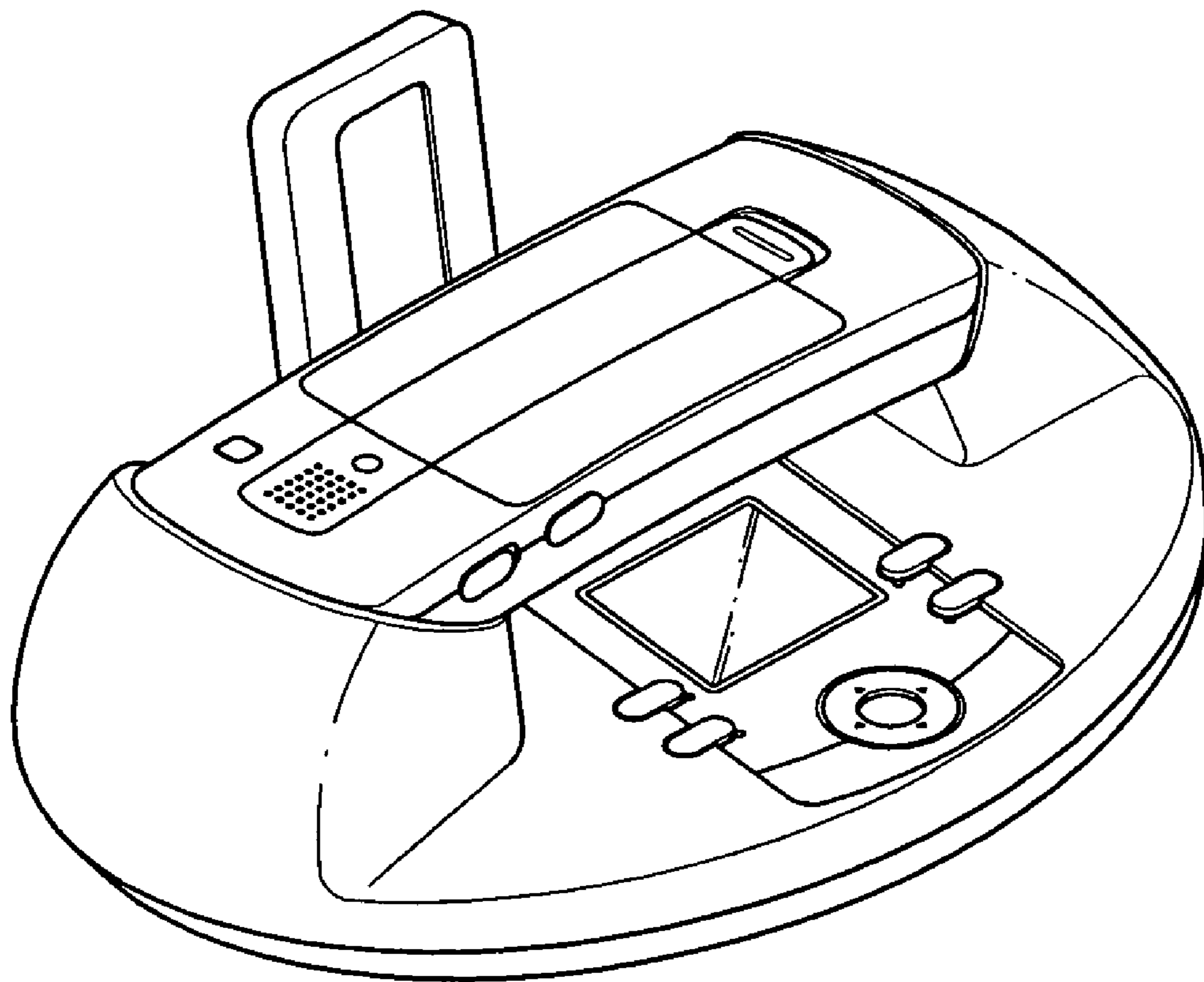


FIG.2

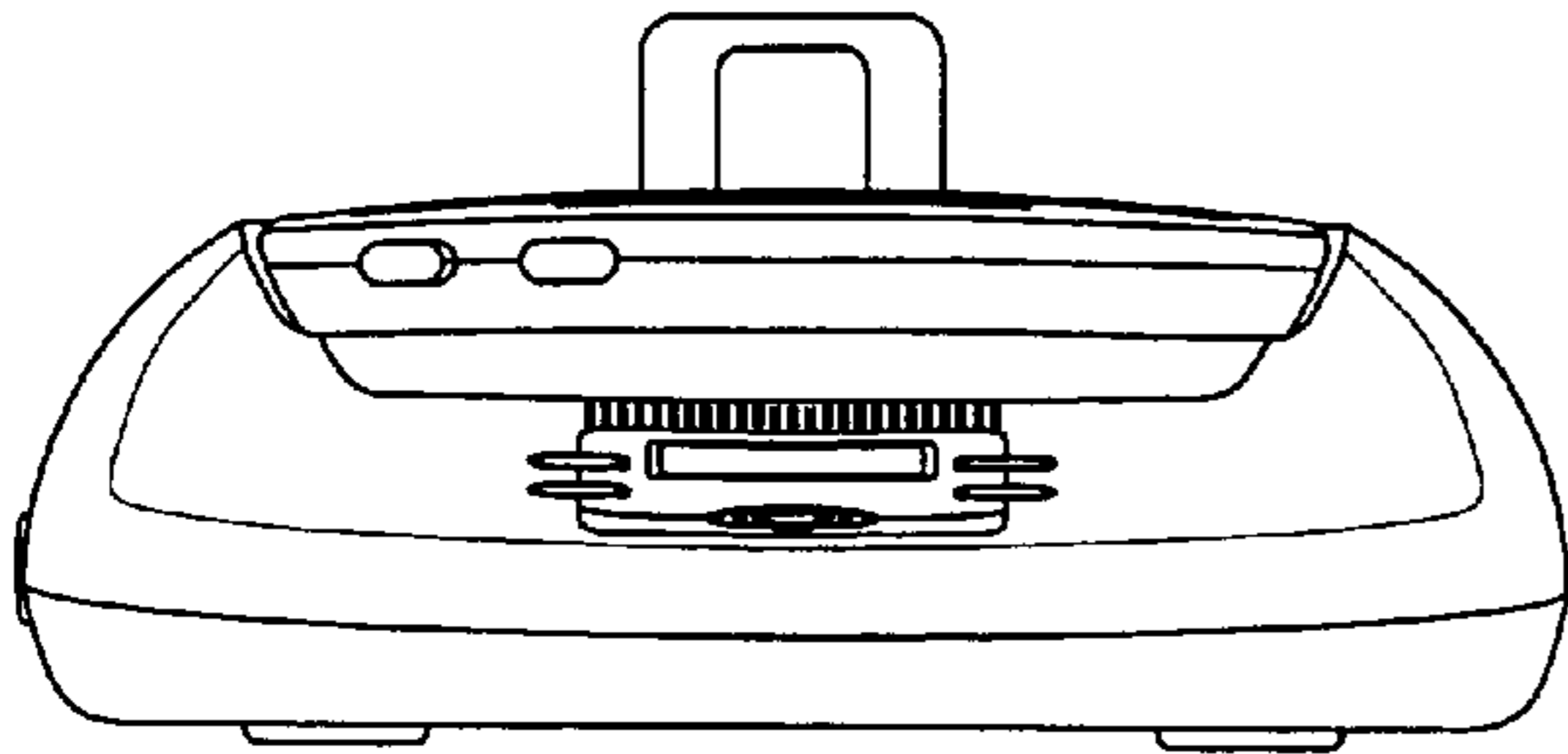


FIG.3

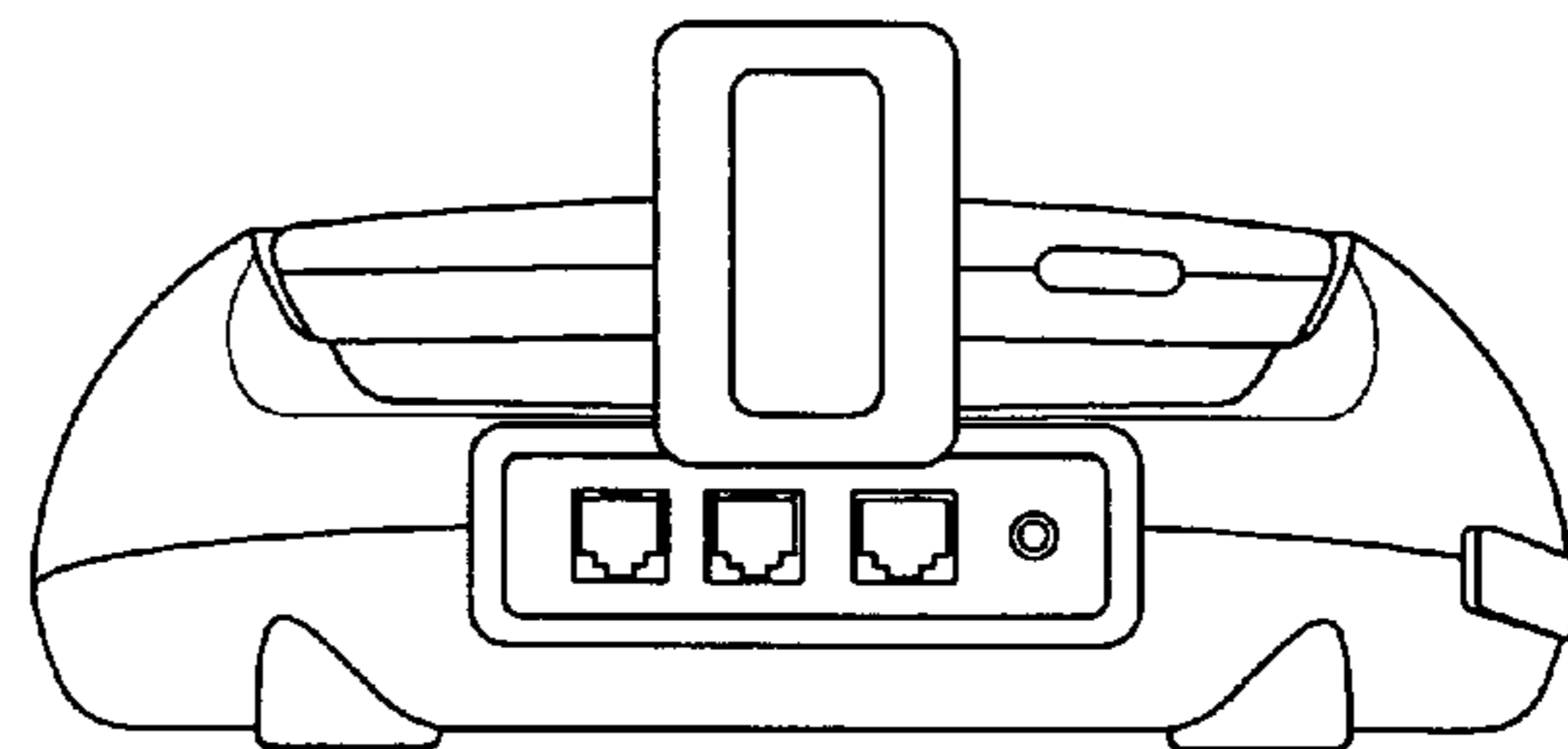


FIG.4

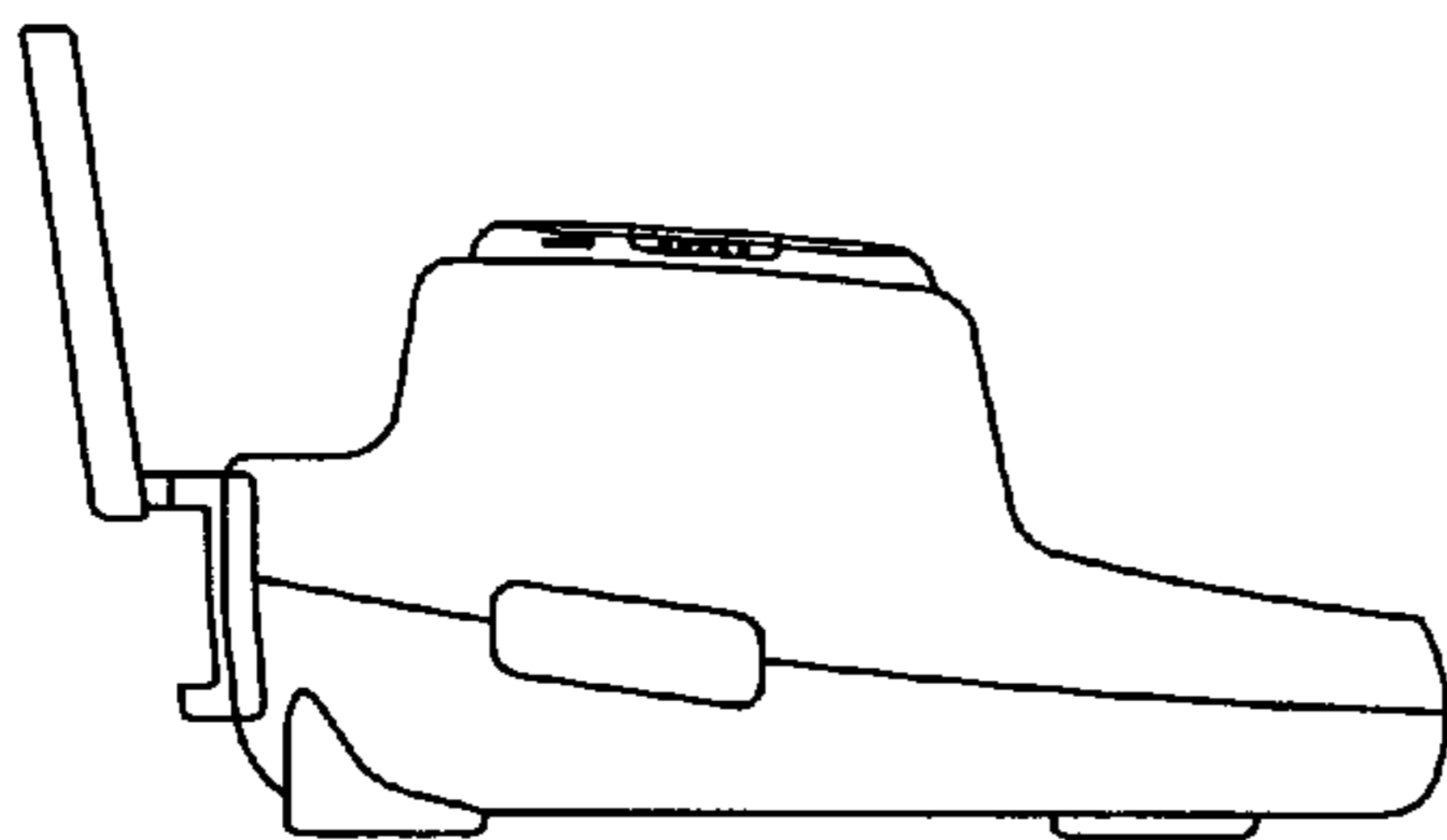


FIG.5

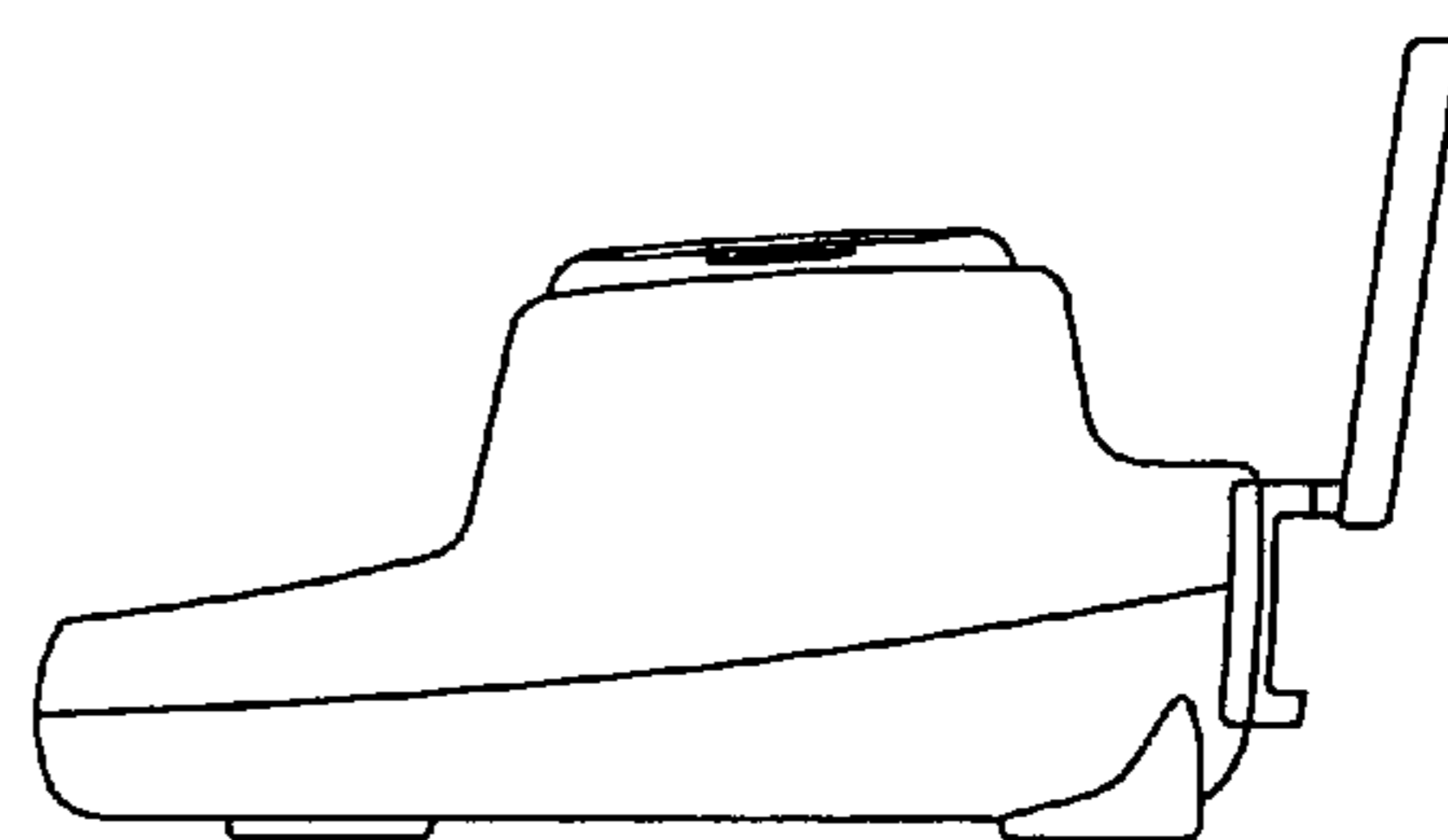


FIG.6

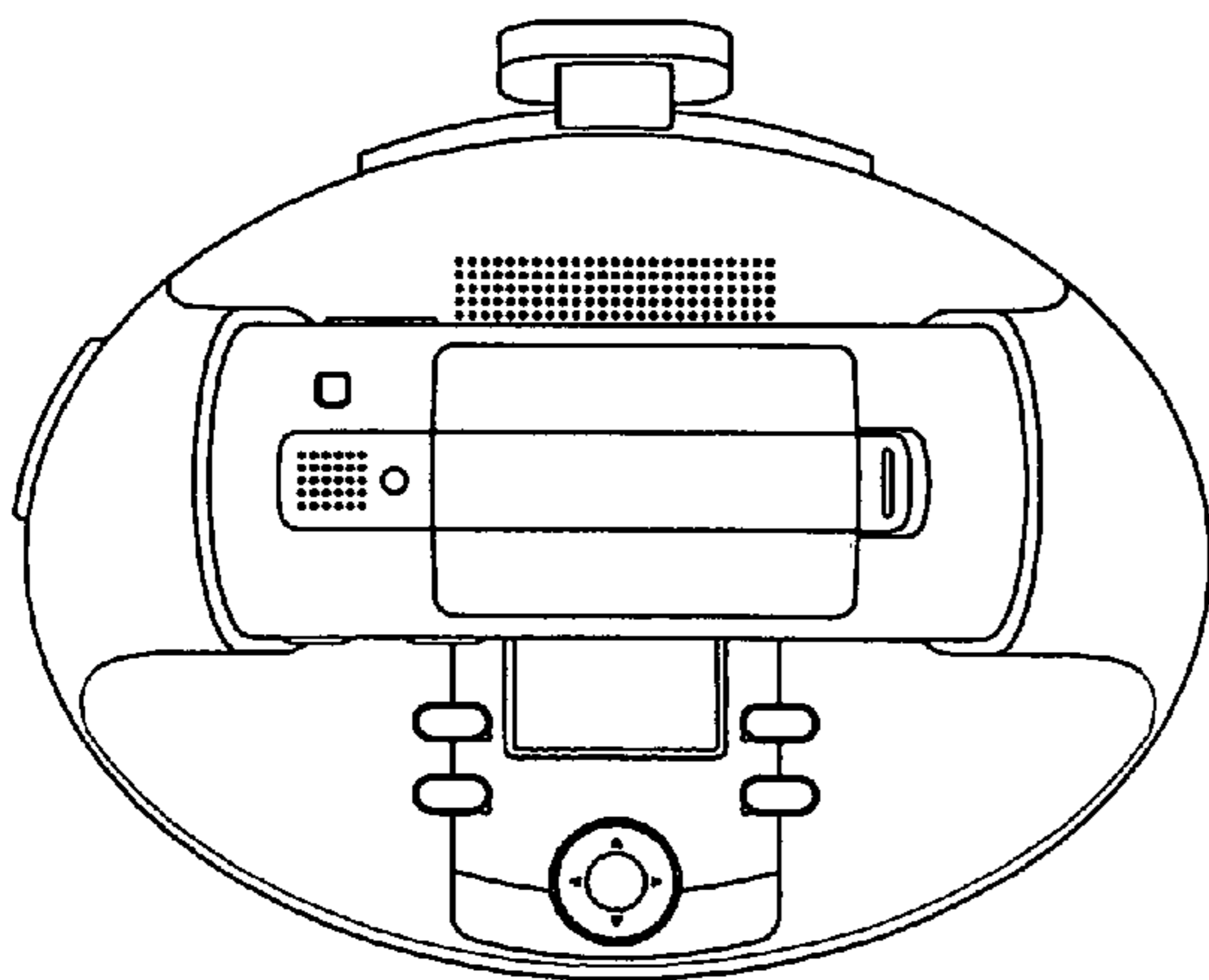


FIG.7

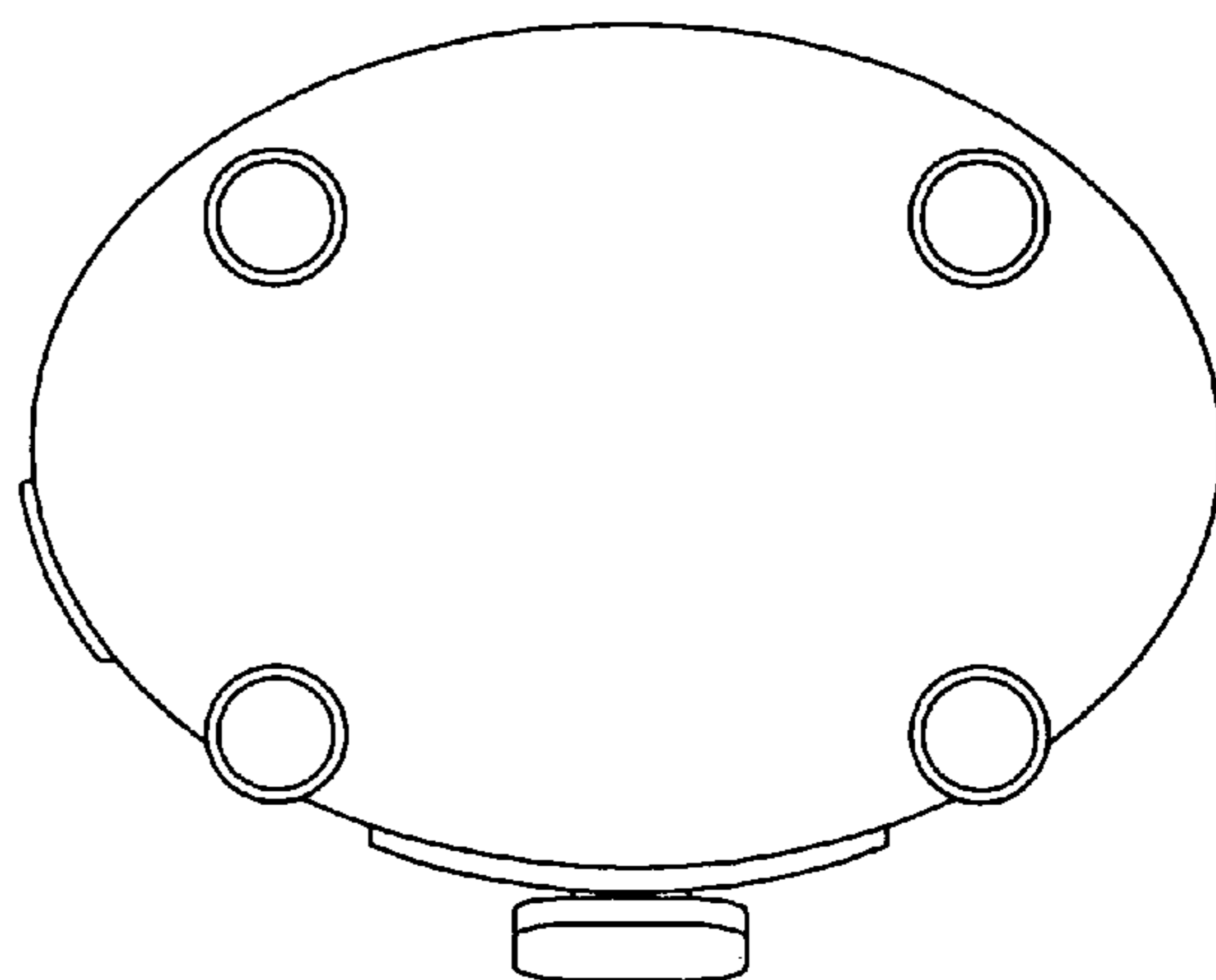


FIG. 8

