



US00D559216S

(12) **United States Design Patent** (10) **Patent No.:** **US D559,216 S**
Sheu (45) **Date of Patent:** **** Jan. 8, 2008**

(54) **HANDSET**

(75) Inventor: **Wei-Jong William Sheu**, West Hills, CA (US)

(73) Assignee: **Nokia Corporation**, Espoo (FI)

(**) Term: **14 Years**

(21) Appl. No.: **29/247,979**

(22) Filed: **Jul. 24, 2006**

(51) **LOC (8) Cl.** **14-03**

(52) **U.S. Cl.** **D14/138**

(58) **Field of Classification Search** D14/137, D14/138, 147, 218, 247-248, 341-347, 496; 455/90.3, 556.1, 556.2, 575.1, 575.3, 575.4; 379/433.01-433.13; 361/814; 348/14.02

See application file for complete search history.

(56) **References Cited**

U.S. PATENT DOCUMENTS

D458,594 S *	6/2002	Jang	D14/138
D468,283 S *	1/2003	Hong et al.	D14/138
D486,809 S *	2/2004	Hwang	D14/138
D493,781 S *	8/2004	Sheu	D14/247
D500,016 S *	12/2004	Kim	D14/138
D503,697 S *	4/2005	Kim	D14/138
D505,124 S *	5/2005	Takada	D14/138
D508,475 S *	8/2005	Wu et al.	D14/138
D508,476 S *	8/2005	Kim	D14/138
D510,079 S *	9/2005	Kim et al.	D14/138
D512,038 S *	11/2005	Kim et al.	D14/138
D512,396 S *	12/2005	Kim et al.	D14/138
D513,505 S *	1/2006	Lee	D14/138
D519,974 S *	5/2006	Lee	D14/138
D526,982 S *	8/2006	Ahn	D14/138
D535,635 S *	1/2007	Hwang et al.	D14/138
D535,965 S *	1/2007	Baik et al.	D14/138
D537,061 S *	2/2007	Oh	D14/138
D537,430 S *	2/2007	Lee	D14/138
7,173,665 B2 *	2/2007	Kawasaki et al.	348/376
D543,526 S *	5/2007	Jung et al.	D14/138
D546,312 S *	7/2007	Han et al.	D14/138

2004/0097262 A1 *	5/2004	Lee	455/556.1
2004/0242264 A1 *	12/2004	Cho	455/550.1
2007/0004475 A1 *	1/2007	Kuo et al.	455/575.3
2007/0105602 A1 *	5/2007	Takebe	455/575.3

OTHER PUBLICATIONS

Nokia 6060, announced Jun. 2005, [online], [retrieved on Jul. 5, 2007]. Retrieved from Internet, <URL: http://www.gsmarena.com>.*

Nokia 6013, announced 1st quarter 2006, [online], [retrieved on Jul. 5, 2007]. Retrieved from Internet, <URL: http://www.gsmarena.com>.*

(Continued)

Primary Examiner—Jeffrey Asch

Assistant Examiner—Bridget L Eland

(74) *Attorney, Agent, or Firm*—Banner & Witcoff, Ltd.

(57) **CLAIM**

The ornamental design for a handset, as shown and described.

DESCRIPTION

FIG. 1 is a bottom plan view of a handset showing my new design;

FIG. 2 is a right side view thereof;

FIG. 3 is a front view thereof;

FIG. 4 is a left side view thereof;

FIG. 5 is a top plan view thereof;

FIG. 6 is a rear view thereof;

FIG. 7 is a perspective front view thereof;

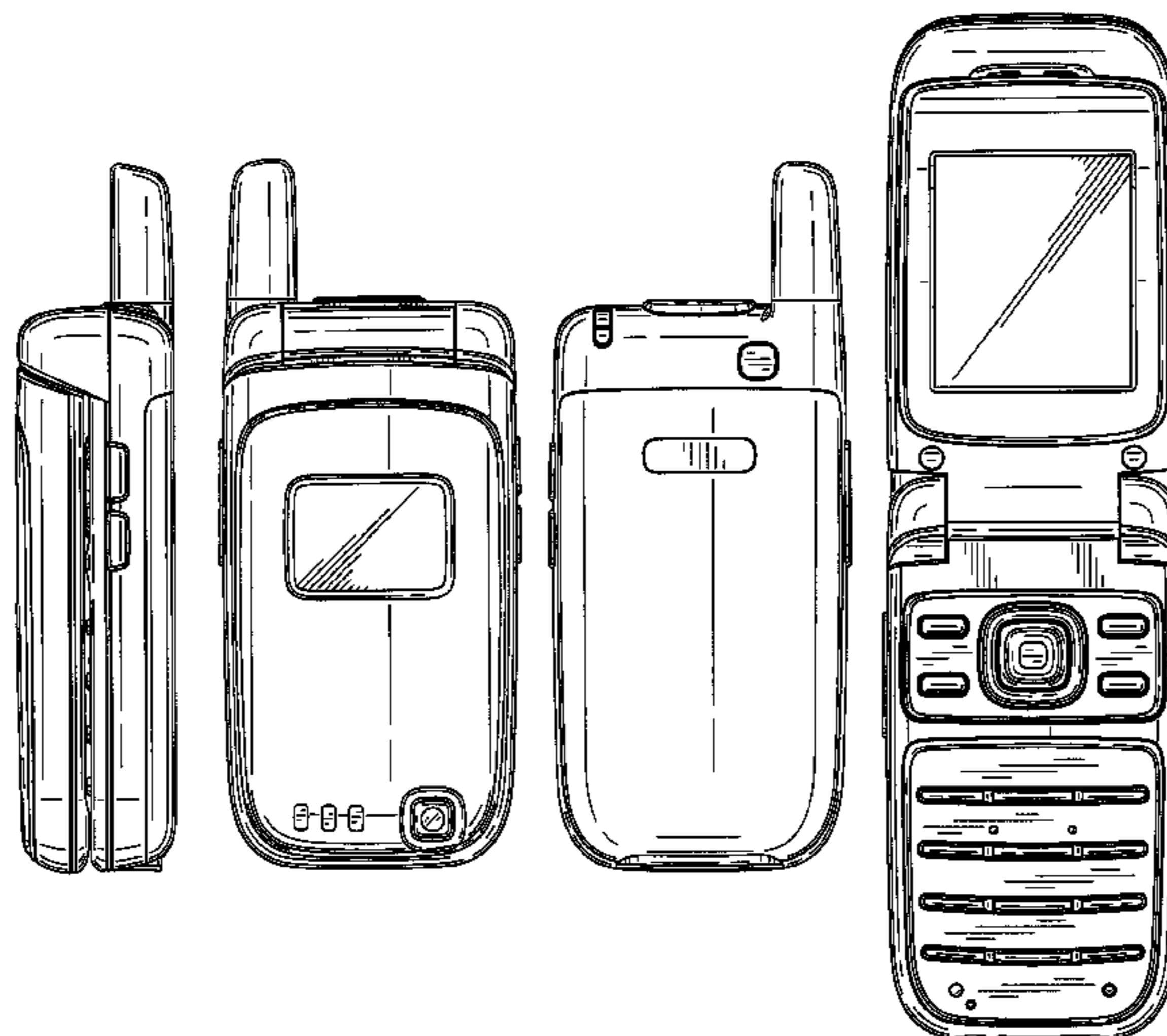
FIG. 8 is a perspective rear view thereof;

FIG. 9 is a front view of the handset of FIGS. 1-8 illustrating one in-use position; and,

FIG. 10 is a perspective front view thereof.

The broken line showing environmental structures of the handset is for illustrative purposes only and form no part of the claimed design.

1 Claim, 5 Drawing Sheets



OTHER PUBLICATIONS

Samsung T200, announced 4th quarter 2002, [online], [retrieved on Jul. 5, 2007]. Retrieved from Internet, <URL: <http://www.gsmarena.com>>.*

Samsung T400, announced 4th quarter 2002, [online], [retrieved on Jul. 5, 2007]. Retrieved from Internet, <URL: <http://www.gsmarena.com>>.*

Samsung T500, announced 1st quarter 2003, [online], [retrieved on Jul. 5, 2007]. Retrieved from Internet, <URL: <http://www.gsmarena.com>>.*

Motorola V750, announced 3rd quarter 2003, [online], [retrieved on Jul. 6, 2007]. Retrieved from Internet, <URL: <http://www.gsmarena.com>>.*

Sony Ericsson Z525, announced Apr. 2006, [online], [retrieved on Jul. 6, 2007]. Retrieved from Internet, <URL: <http://www.gsmarena.com>>.*

BenQ A500, announced 4th quarter 2004, [online], [retrieved on Jul. 6, 2007]. Retrieved from Internet, <URL: <http://www.gsmarena.com>>.*

* cited by examiner

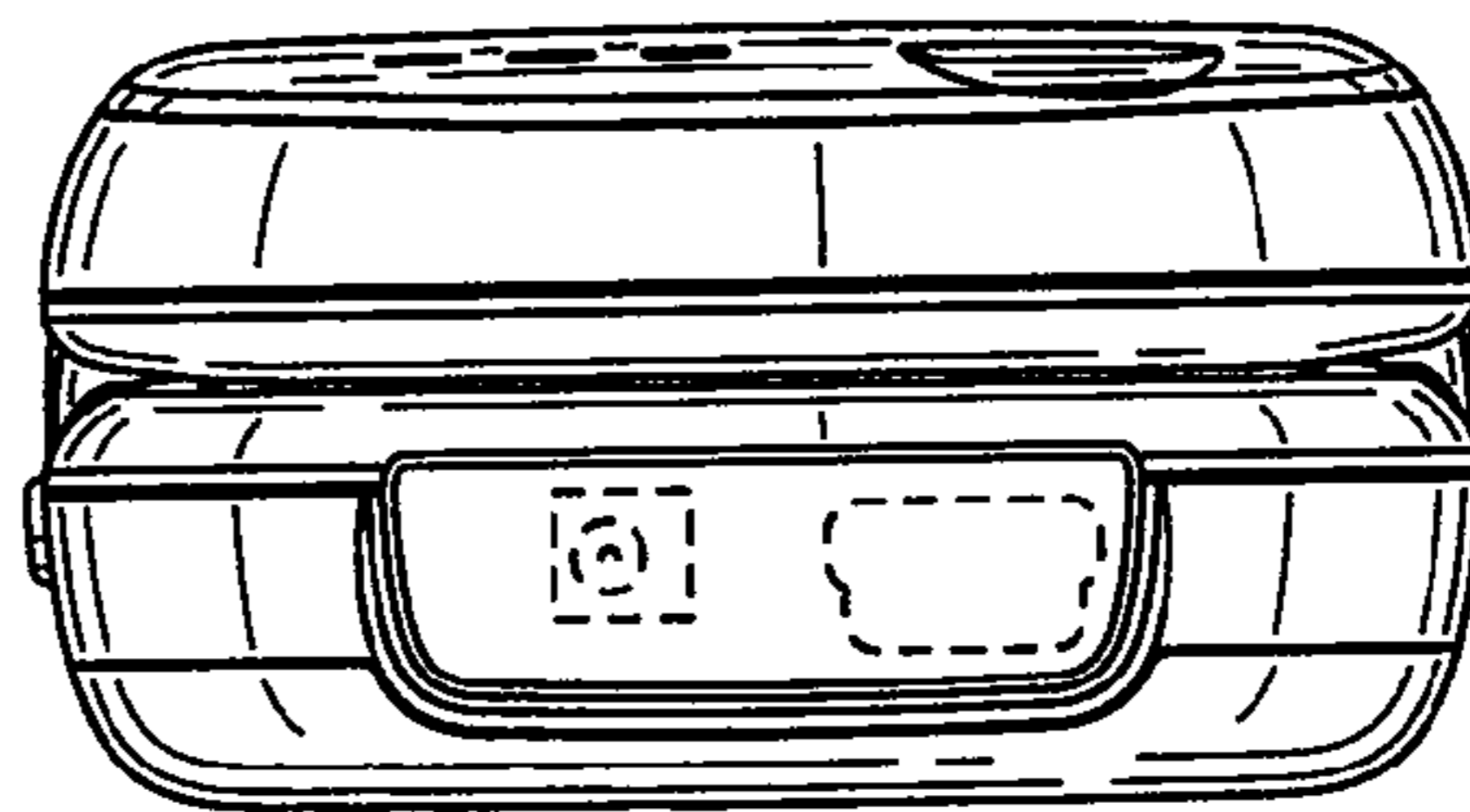


FIG. 1



FIG. 2

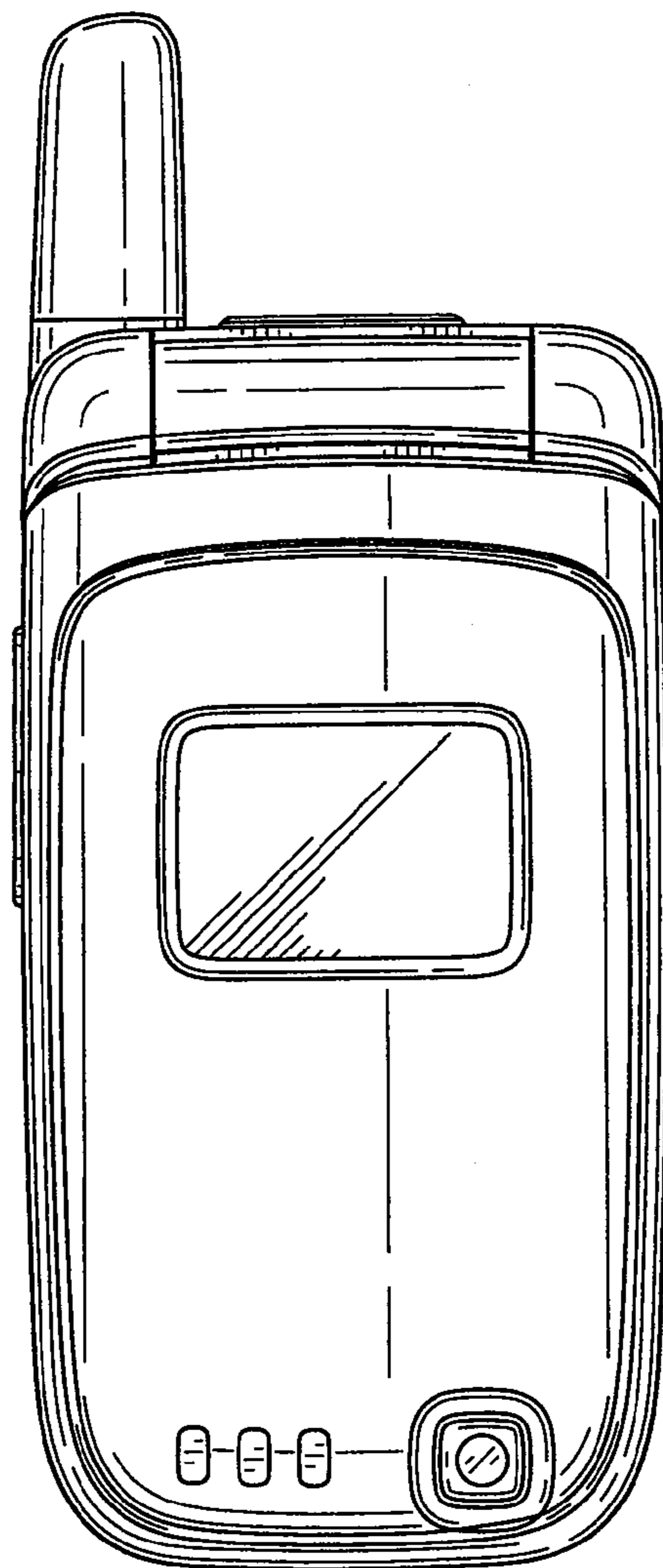


FIG. 3

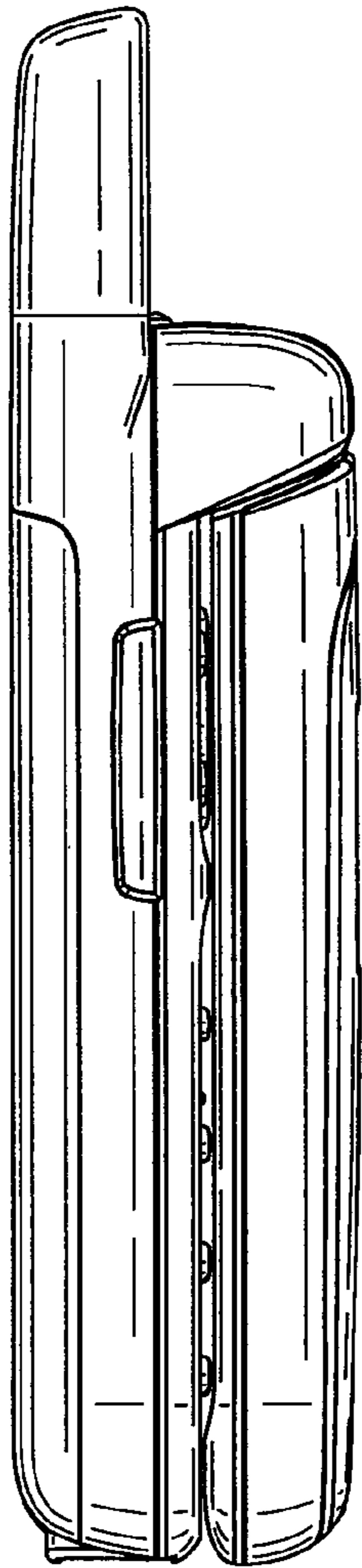


FIG. 4

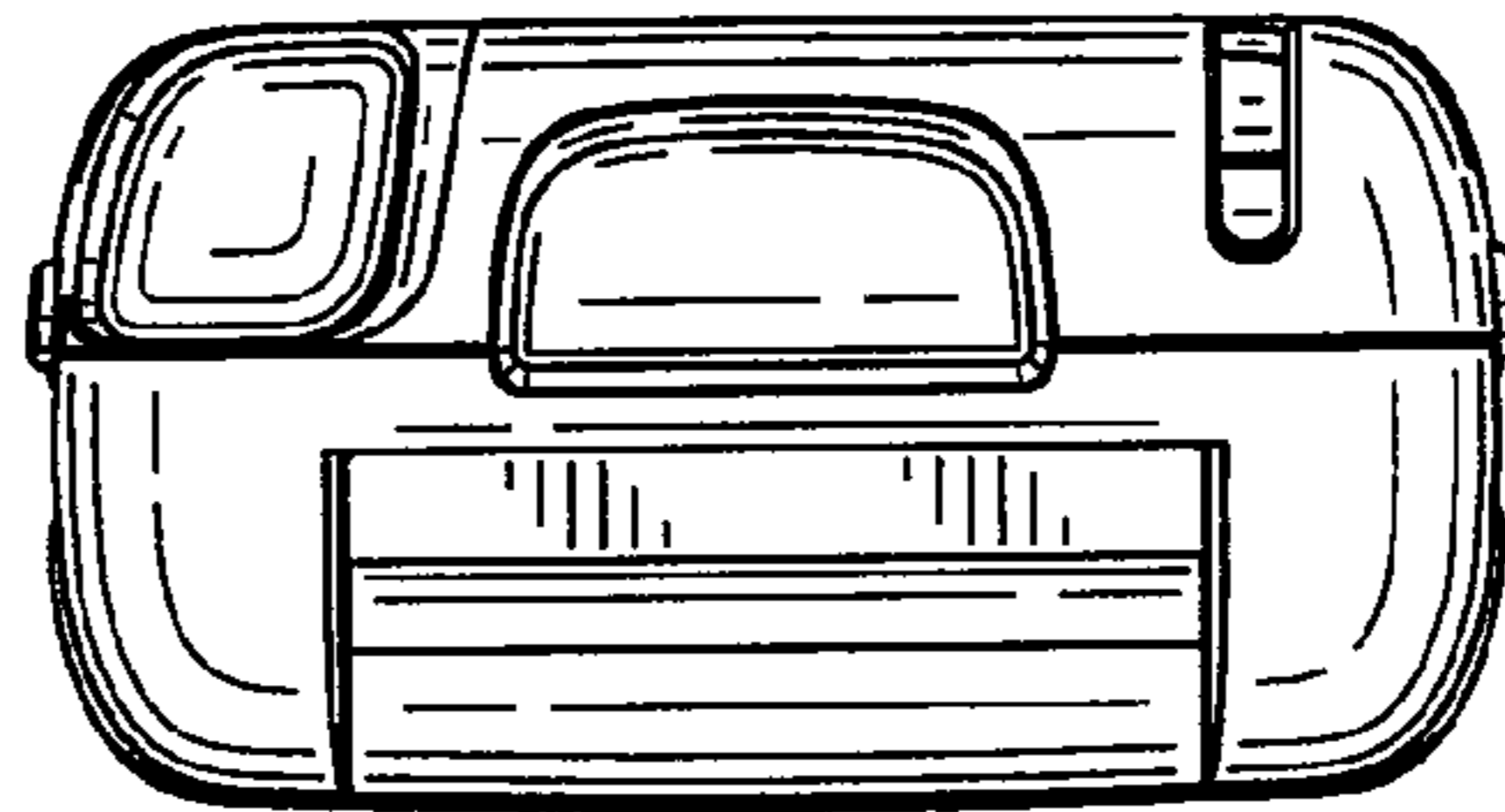


FIG. 5

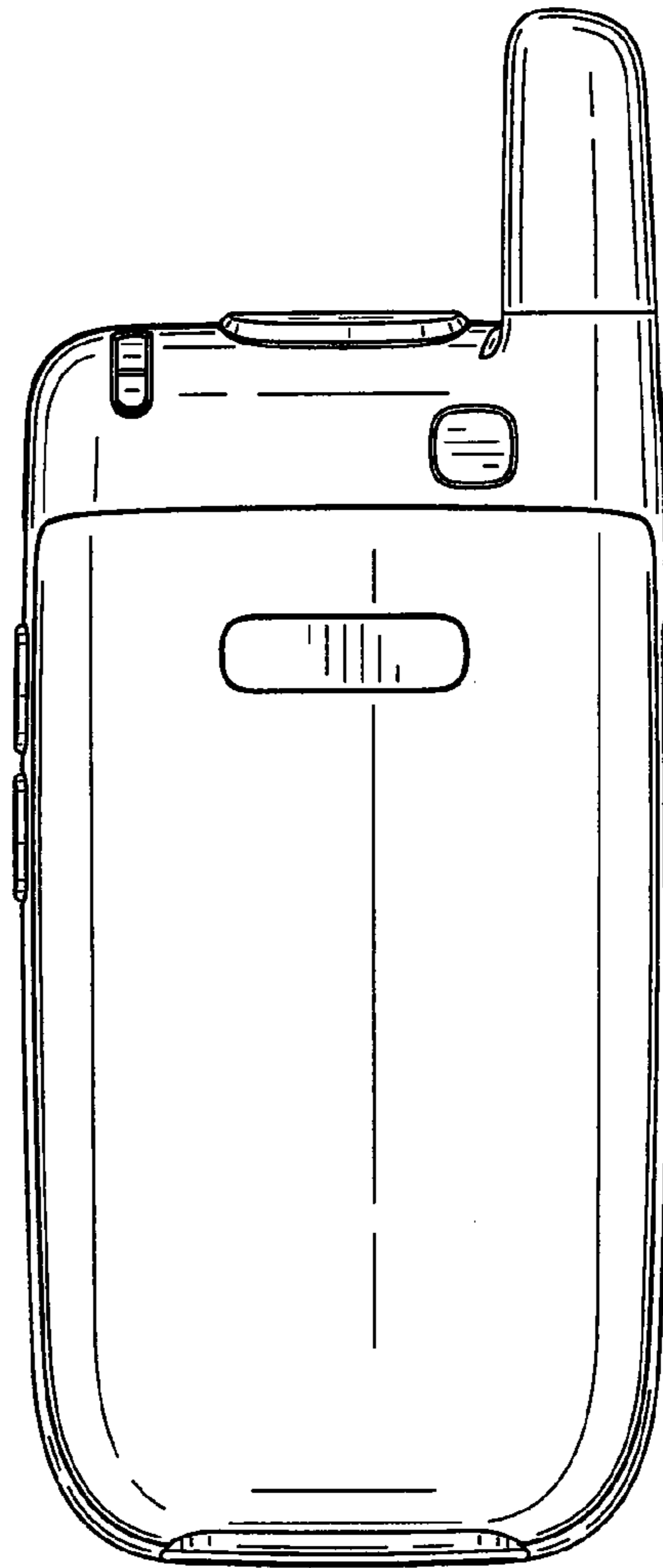


FIG. 6

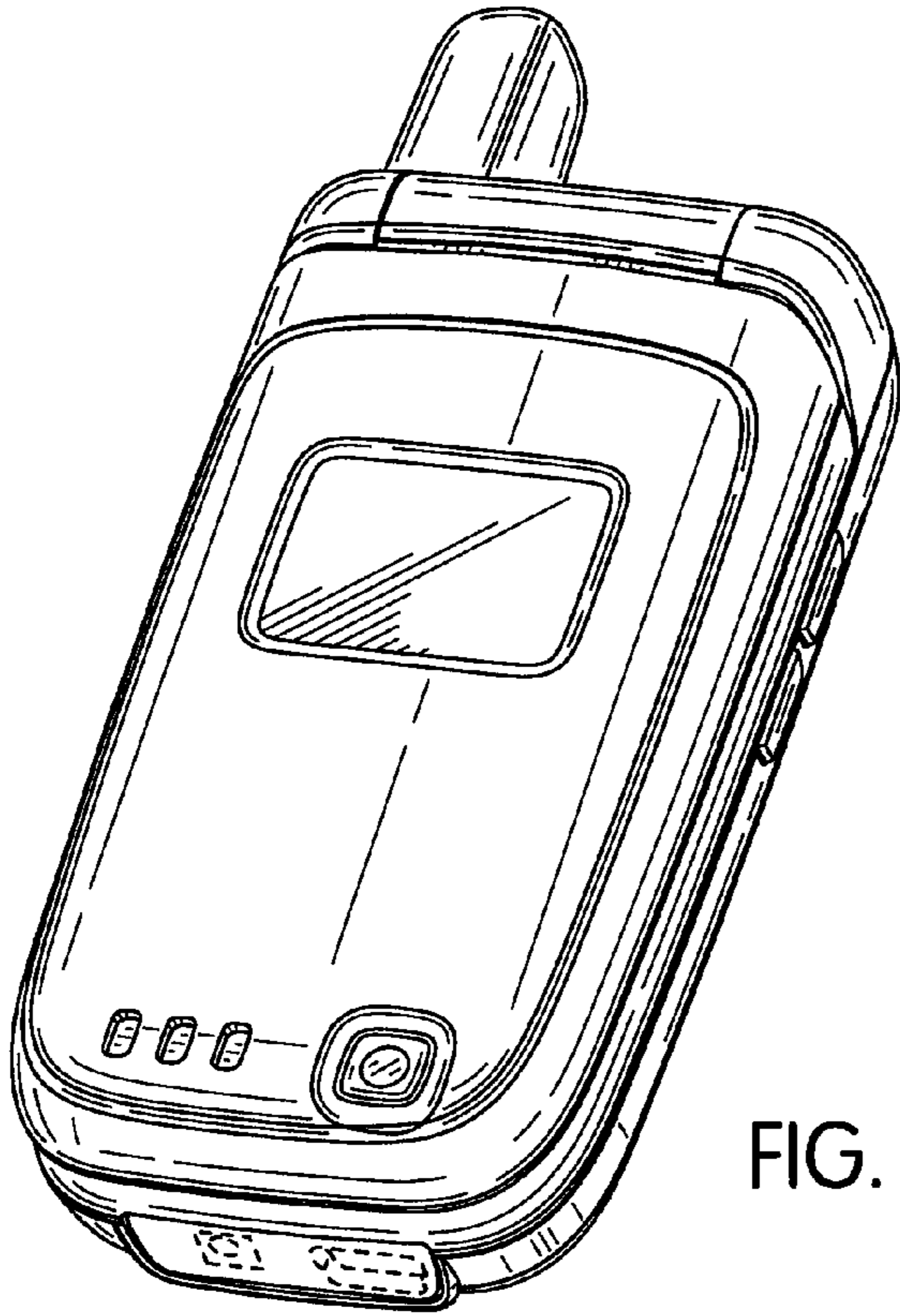


FIG. 7

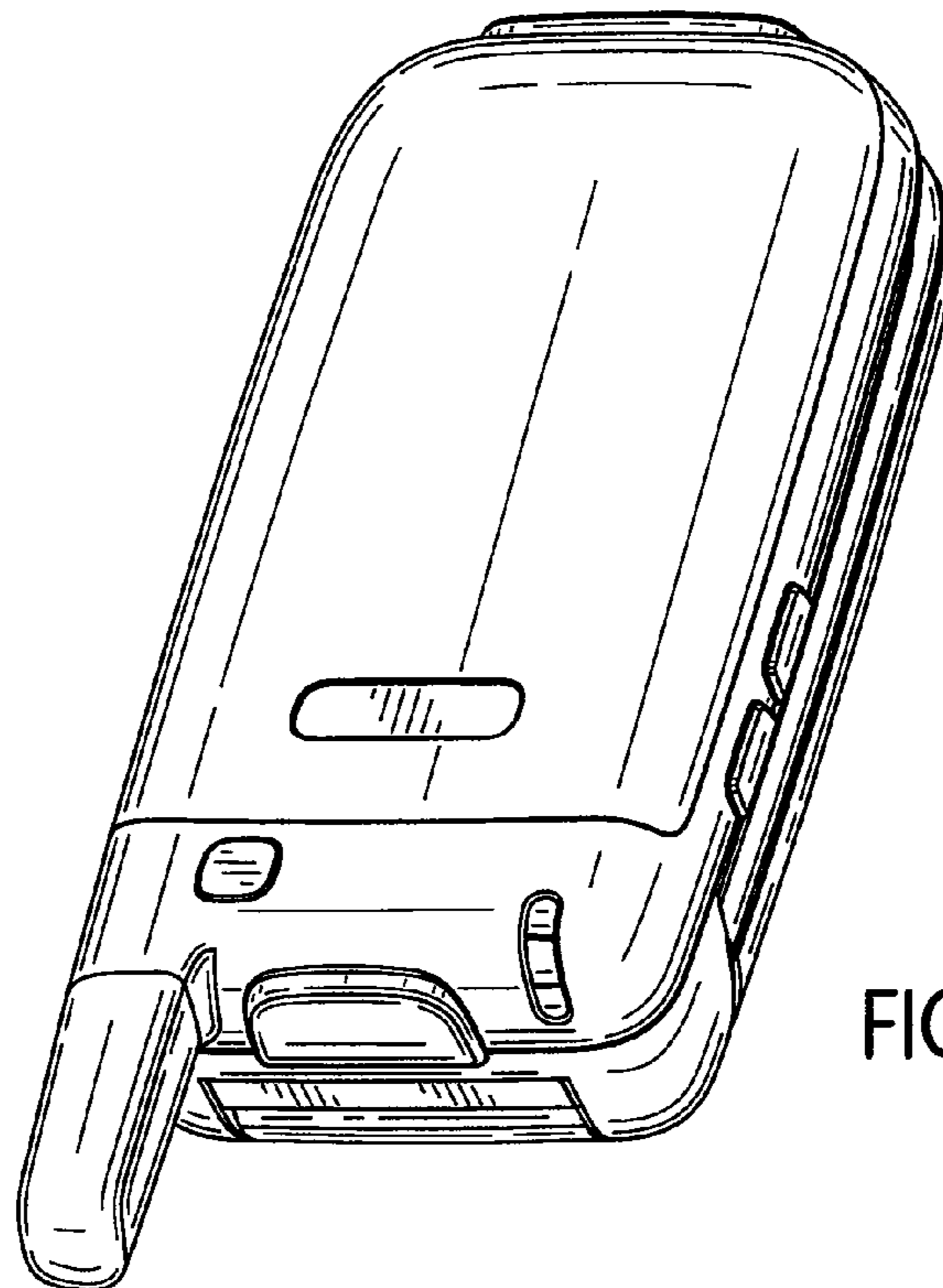


FIG. 8

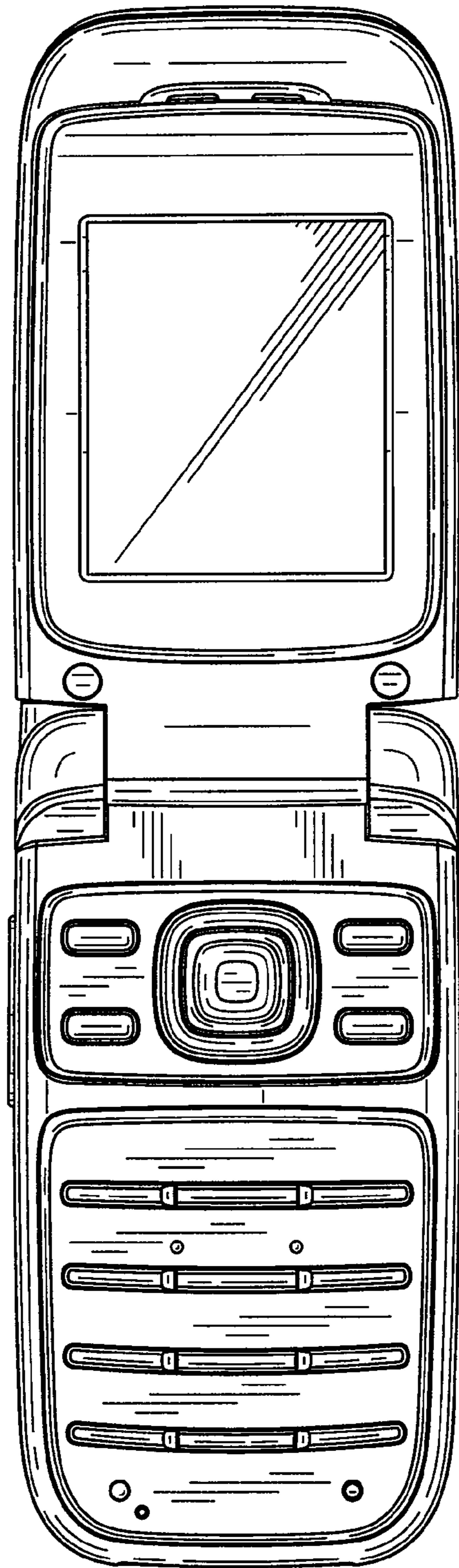


FIG. 9

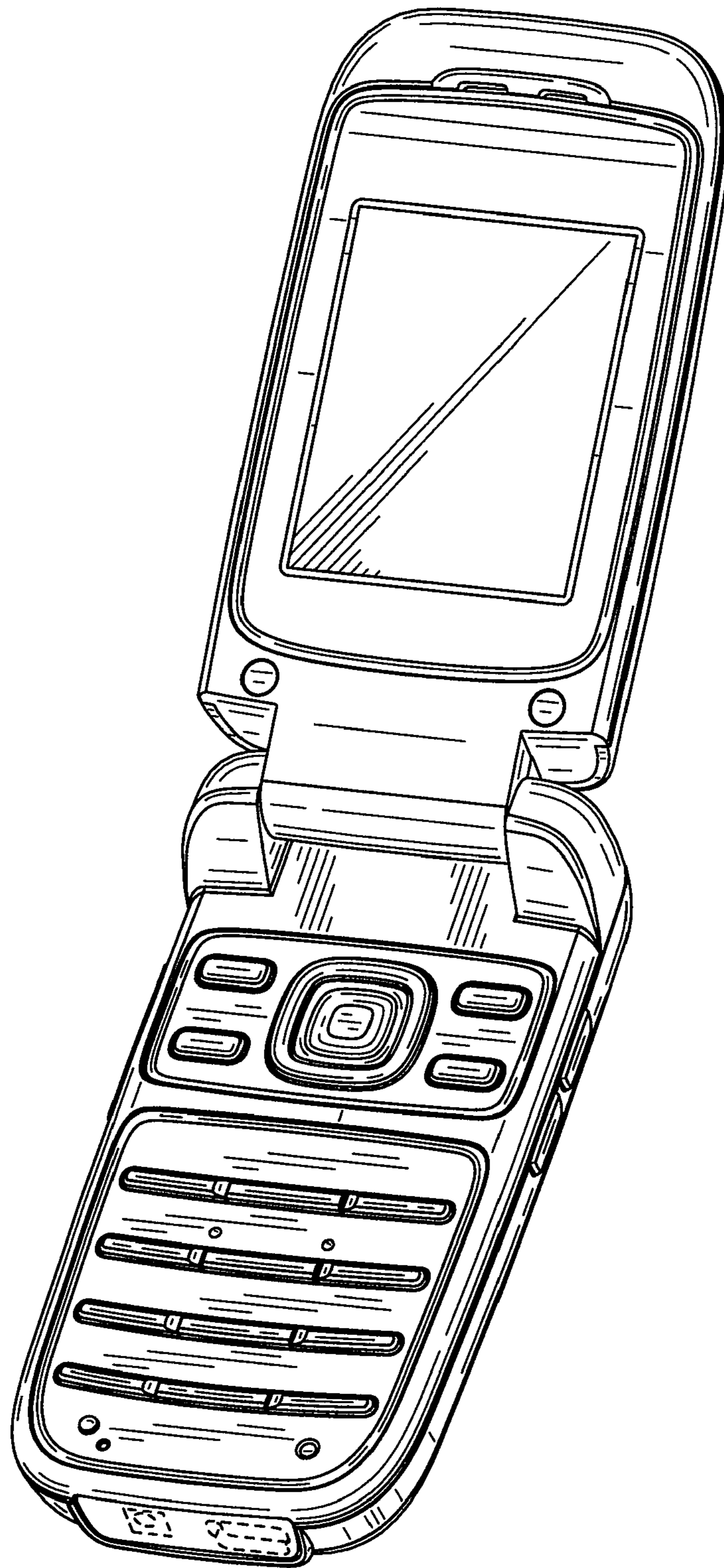


FIG. 10