



US00D559215S

(12) **United States Design Patent**
Eguchi

(10) **Patent No.:** **US D559,215 S**
(45) **Date of Patent:** **** Jan. 8, 2008**

(54) **HANDSET**

(75) Inventor: **Shunjiro Eguchi**, Helsinki (FI)

(73) Assignee: **Nokia Corporation**, Espoo (FI)

(**) Term: **14 Years**

(21) Appl. No.: **29/247,689**

(22) Filed: **Jun. 30, 2006**

(30) **Foreign Application Priority Data**

Feb. 3, 2006 (FI) M20060026

(51) **LOC (8) Cl.** **14-03**

(52) **U.S. Cl.** **D14/138**

(58) **Field of Classification Search** D14/137,
D14/138, 147, 218, 247-248, 341-347, 496;
455/90.3, 556.1, 556.2, 575.1, 575.3, 575.4;
379/433.01-433.13; 361/814; 348/14.02

See application file for complete search history.

(56) **References Cited**

U.S. PATENT DOCUMENTS

D458,594 S * 6/2002 Jang D14/138

(Continued)

FOREIGN PATENT DOCUMENTS

WO	DM/ 066 609	6/2005
WO	DM/067361	* 9/2005
WO	DM/067801	* 4/2006
WO	DM/ 067 695	5/2006
WO	DM/068244	* 6/2006
WO	DM/068752	* 2/2007

OTHER PUBLICATIONS

Nokia N90, announced 2nd quarter 2005, [online], [retrieved on Jul. 5, 2007]. Retrieved from Internet ,<URL: <http://www.gsmarena.com>>.*

Nokia N92, announced 4th quarter 2005, [online], [retrieved on Jul. 5, 2007]. Retrieved from Internet ,<URL: <http://www.gsmarena.com>>.*

Nokia N93, announced Apr. 2006, [online], [retrieved on Jul. 5, 2007]. Retrieved from Internet ,<URL: <http://www.gsmarena.com>>.*

(Continued)

Primary Examiner—Jeffrey Asch

Assistant Examiner—Bridget L Eland

(74) *Attorney, Agent, or Firm*—Banner & Witcoff, Ltd.

(57) **CLAIM**

The ornamental design for a handset, as shown and described.

DESCRIPTION

FIG. 1 is a bottom plan view of a handset showing my new design;

FIG. 2 is a right side view thereof;

FIG. 3 is a front view thereof;

FIG. 4 is a left side view thereof;

FIG. 5 is a top plan view thereof;

FIG. 6 is a rear view thereof;

FIG. 7 is a perspective front view thereof;

FIG. 8 is a perspective rear view thereof;

FIG. 9 is a front view of the handset of FIGS. 1-8 in an in-use open position;

FIG. 10 is a perspective front view of the handset of FIGS. 1-8 in an in-use open position;

FIG. 11 is a right side view of the handset of FIGS. 1-8 in an in-use open position;

FIG. 12 is a left side view of the handset of FIGS. 1-8 in an in-use open position;

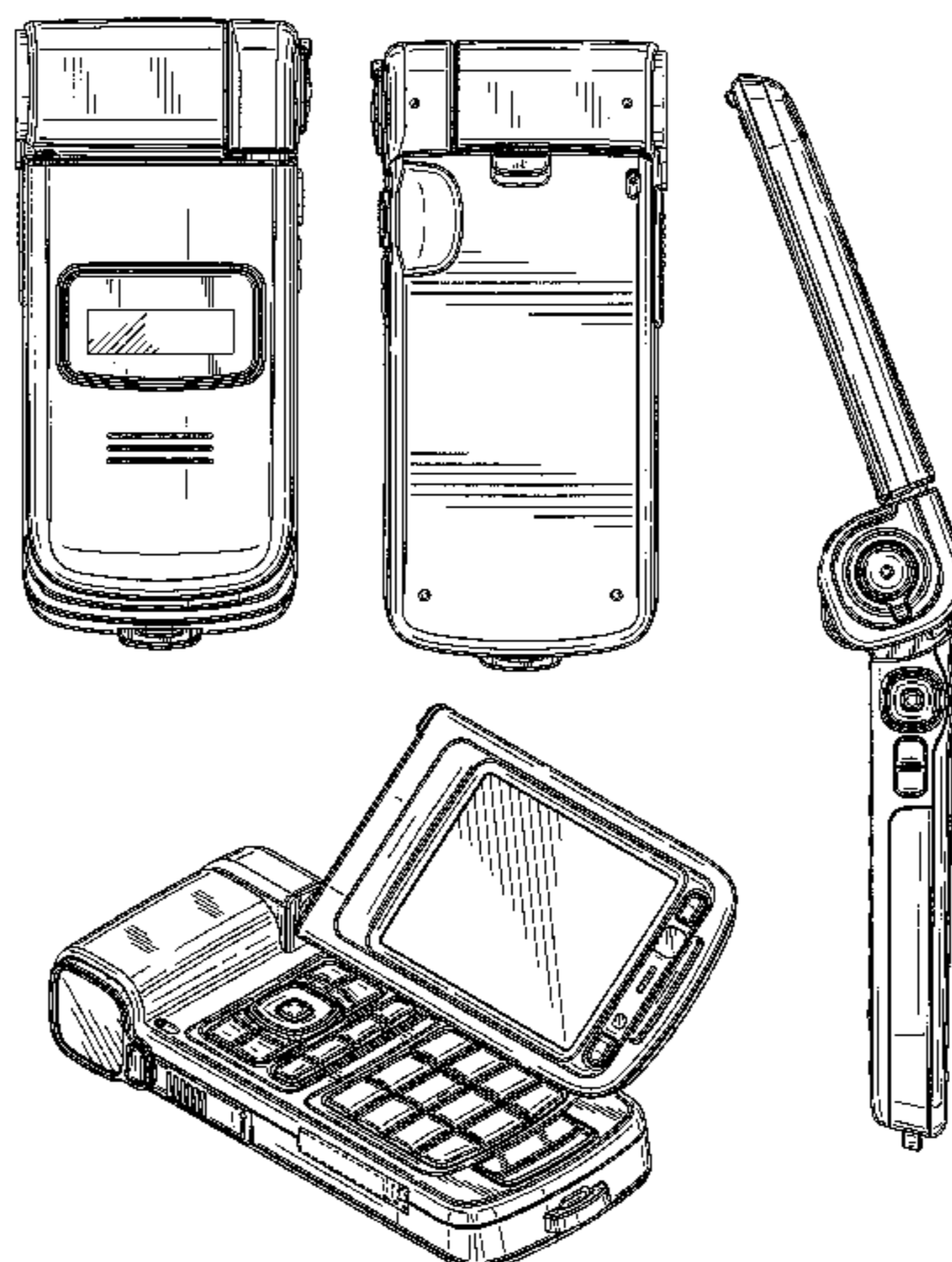
FIG. 13 is a perspective front left side view of the handset of FIGS. 1-8 in a second in-use open position;

FIG. 14 is a perspective front right side view of the handset of FIGS. 1-8 in the second in-use open position;

FIG. 15 is a perspective front view of the handset of FIGS. 1-8 in a third in-use open position; and,

FIG. 16 is a perspective rear view of the handset of FIGS. 1-8 in the third in-use open position.

1 Claim, 11 Drawing Sheets



US D559,215 S

Page 2

U.S. PATENT DOCUMENTS

D475,688 S * 6/2003 Pierce et al. D14/138
D495,674 S * 9/2004 Yoo et al. D14/138
D501,838 S * 2/2005 Kim et al. D14/138
D507,252 S * 7/2005 Kim et al. D14/138
D516,048 S * 2/2006 Lee et al. D14/138
D517,517 S * 3/2006 Li et al. D14/138
D518,812 S * 4/2006 Kim et al. D14/138
D519,972 S * 5/2006 Chung et al. D14/138
D521,477 S * 5/2006 Kim et al. D14/138
D521,969 S * 5/2006 Kim et al. D14/138
D524,785 S * 7/2006 Huang D14/138
D526,635 S * 8/2006 Kim D14/138
D528,091 S * 9/2006 Kim et al. D14/138
D540,767 S * 4/2007 Kim et al. D14/138
D541,248 S * 4/2007 Lee et al. D14/138
D545,287 S * 6/2007 Han et al. D14/138
2004/0097262 A1* 5/2004 Lee 455/556.1
2004/0203535 A1* 10/2004 Kim et al. 455/90.3
2004/0209645 A1* 10/2004 Park et al. 455/556.1
2005/0140778 A1* 6/2005 Kim et al. 348/14.02
2005/0215296 A1* 9/2005 Fujihara et al. 455/575.3

2005/0245296 A1* 11/2005 Hong et al. 455/575.3
2005/0282596 A1* 12/2005 Park et al. 455/575.3
2006/0094482 A1* 5/2006 Takagi 455/575.3
2006/0135225 A1* 6/2006 Lin et al. 455/575.3

OTHER PUBLICATIONS

Nokia N93i, announced Jan. 2007, [online], [retrieved on Jul. 5, 2007]. Retrieved from Internet ,<URL: <http://www.gsmarena.com>>.*

Samsung D700, announced 3rd quarter 2003, [online], [retrieved on Jul. 5, 2007]. Retrieved from Internet ,<URL: <http://www.gsmarena.com>>.*

Samsung D300, announced Feb. 2006, [online], [retrieved on Jul. 6, 2007]. Retrieved from Internet ,<URL: <http://www.gsmarena.com>>.*

Motorola T725, announced 2003, [online], [retrieved on Jul. 6, 2007]. Retrieved from Internet ,<URL: <http://www.gsmarena.com>>.*

Toshiba 904T, announced Mar. 2006, [online], [retrieved on Jul. 6, 2007]. Retrieved from Internet ,<URL: <http://www.gsmarena.com>>.*

* cited by examiner

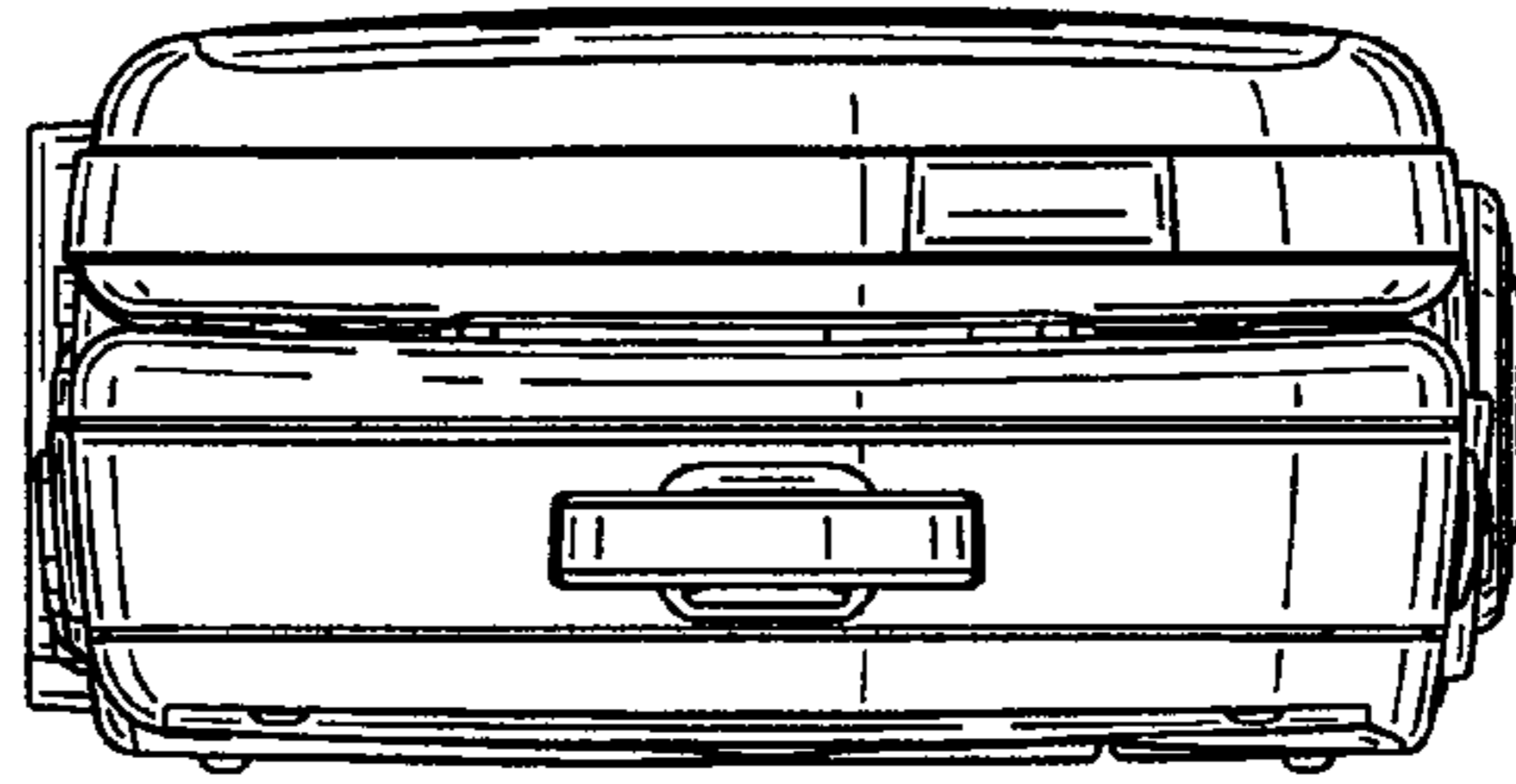


FIG. 1

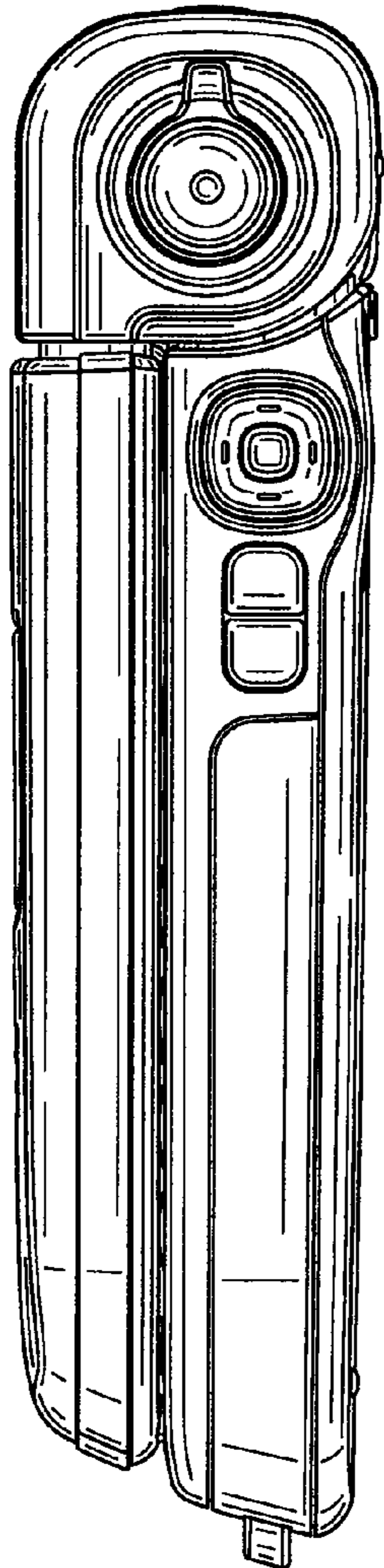


FIG. 2

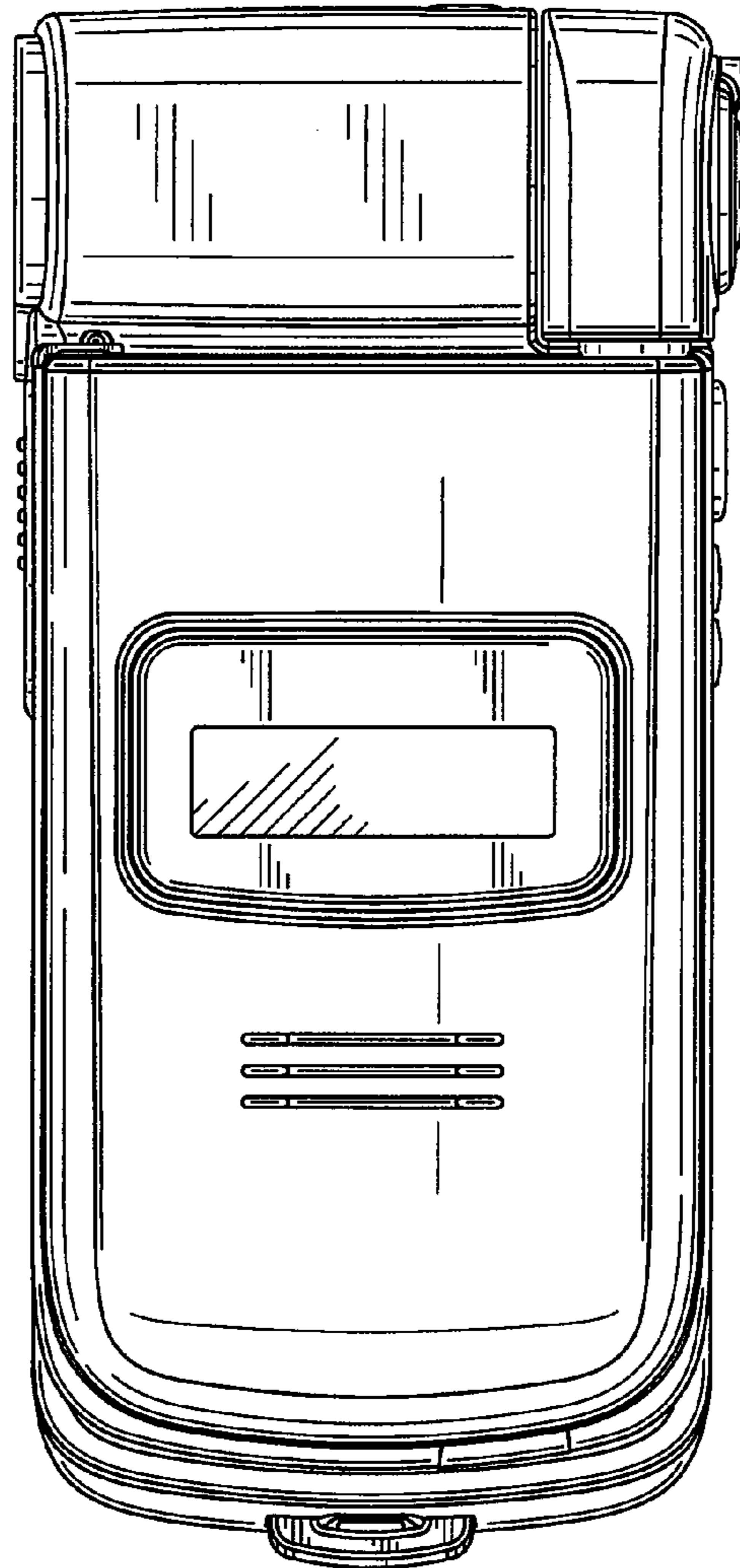


FIG. 3

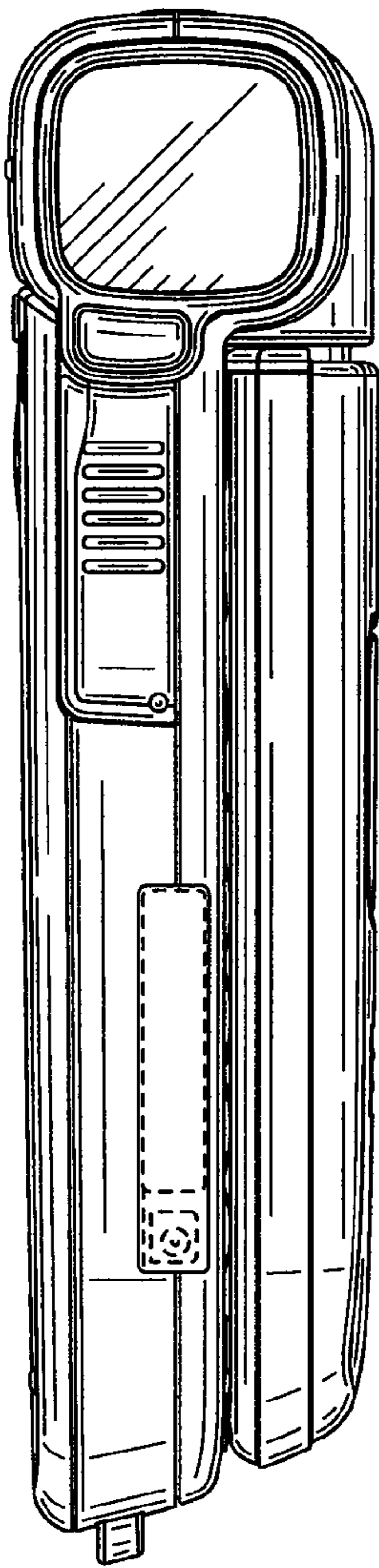


FIG. 4

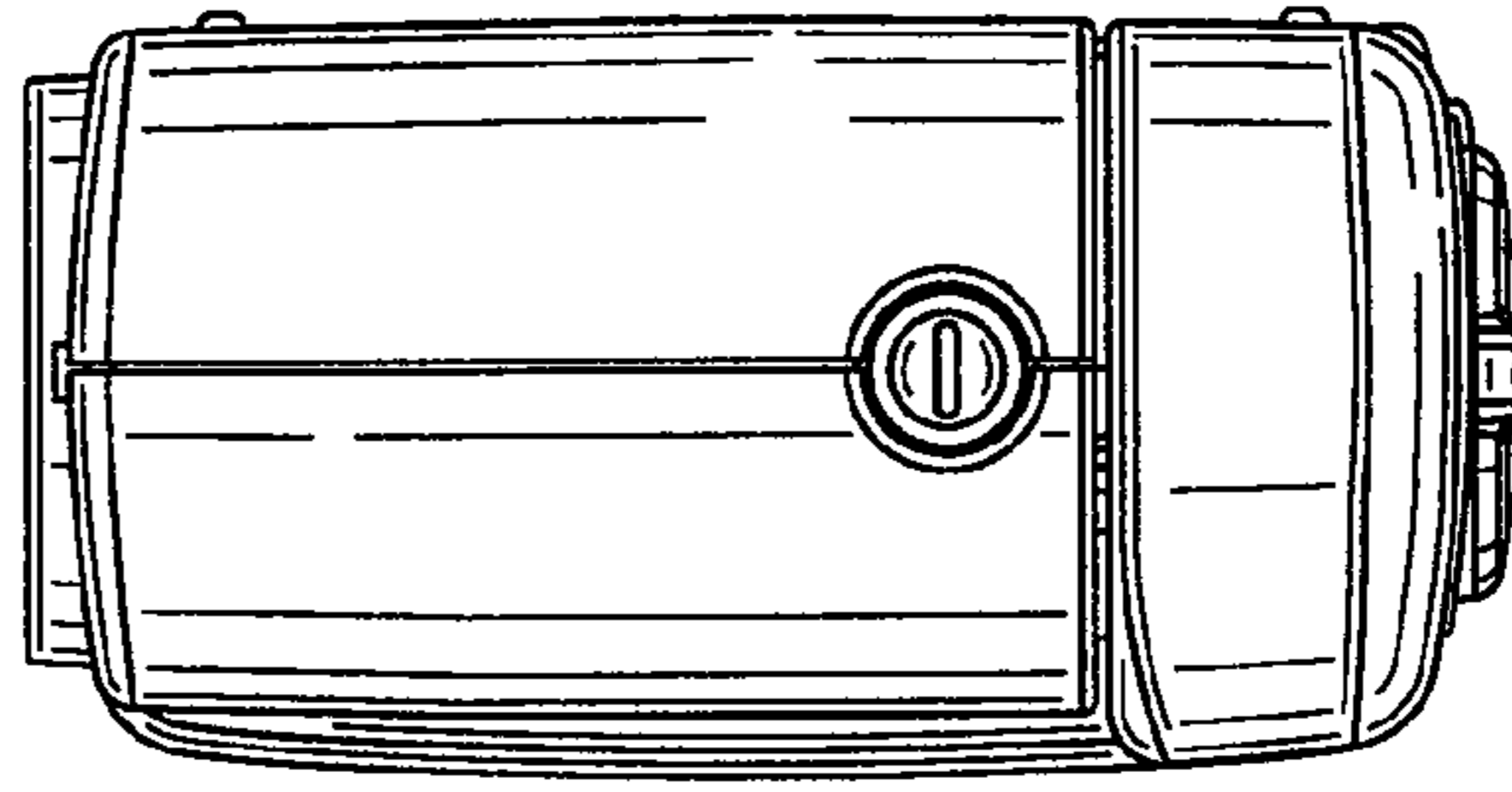


FIG. 5

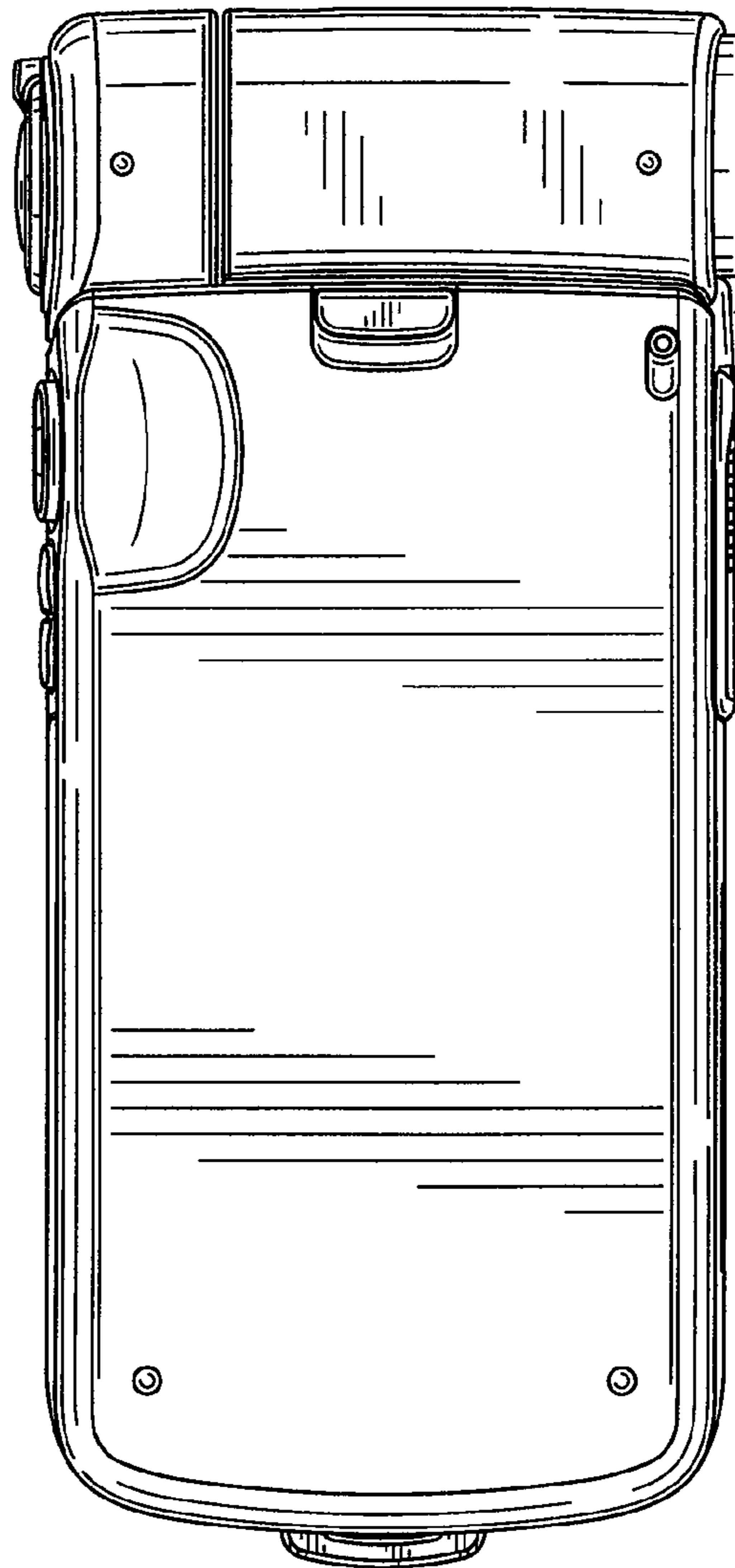


FIG. 6

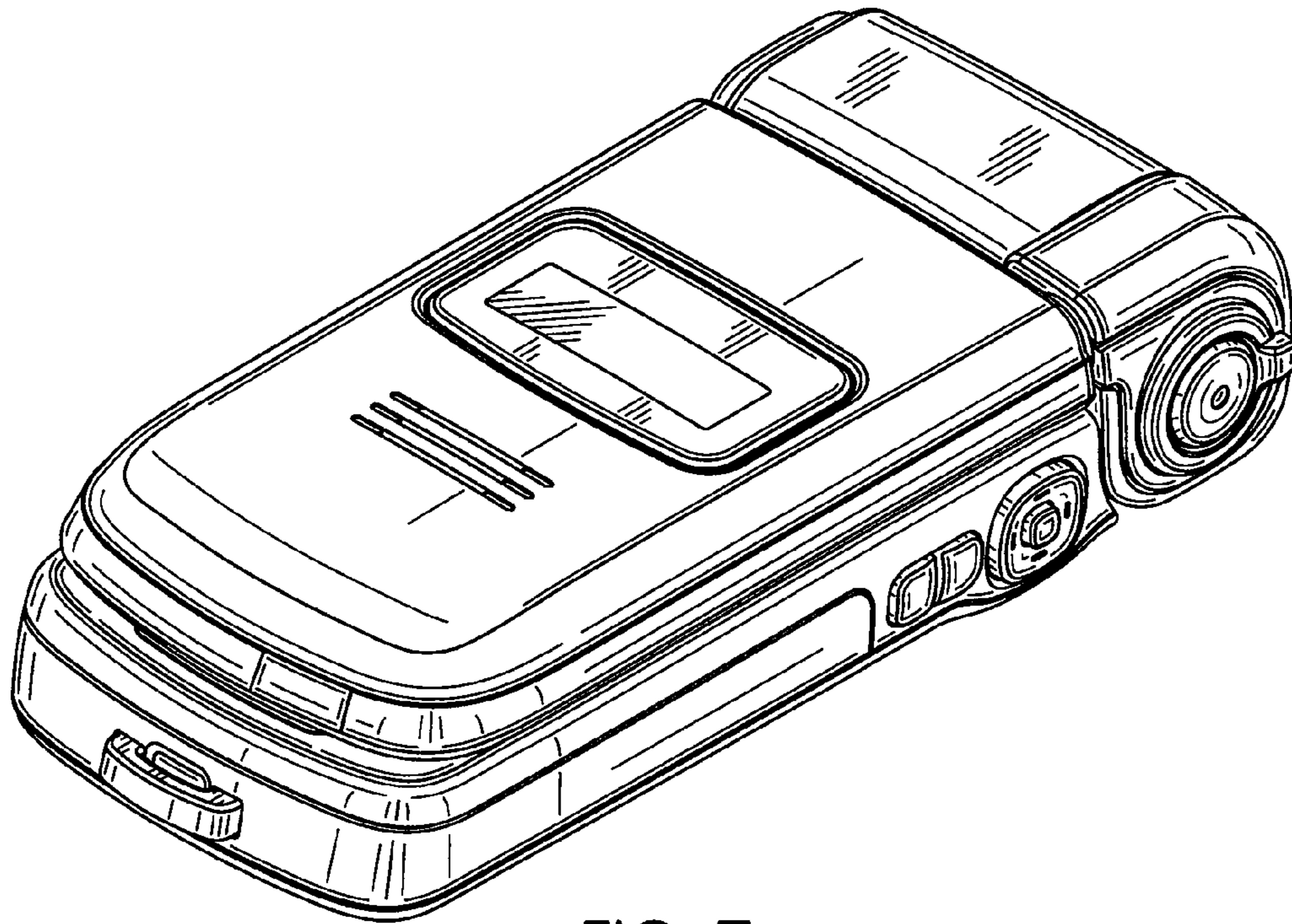


FIG. 7

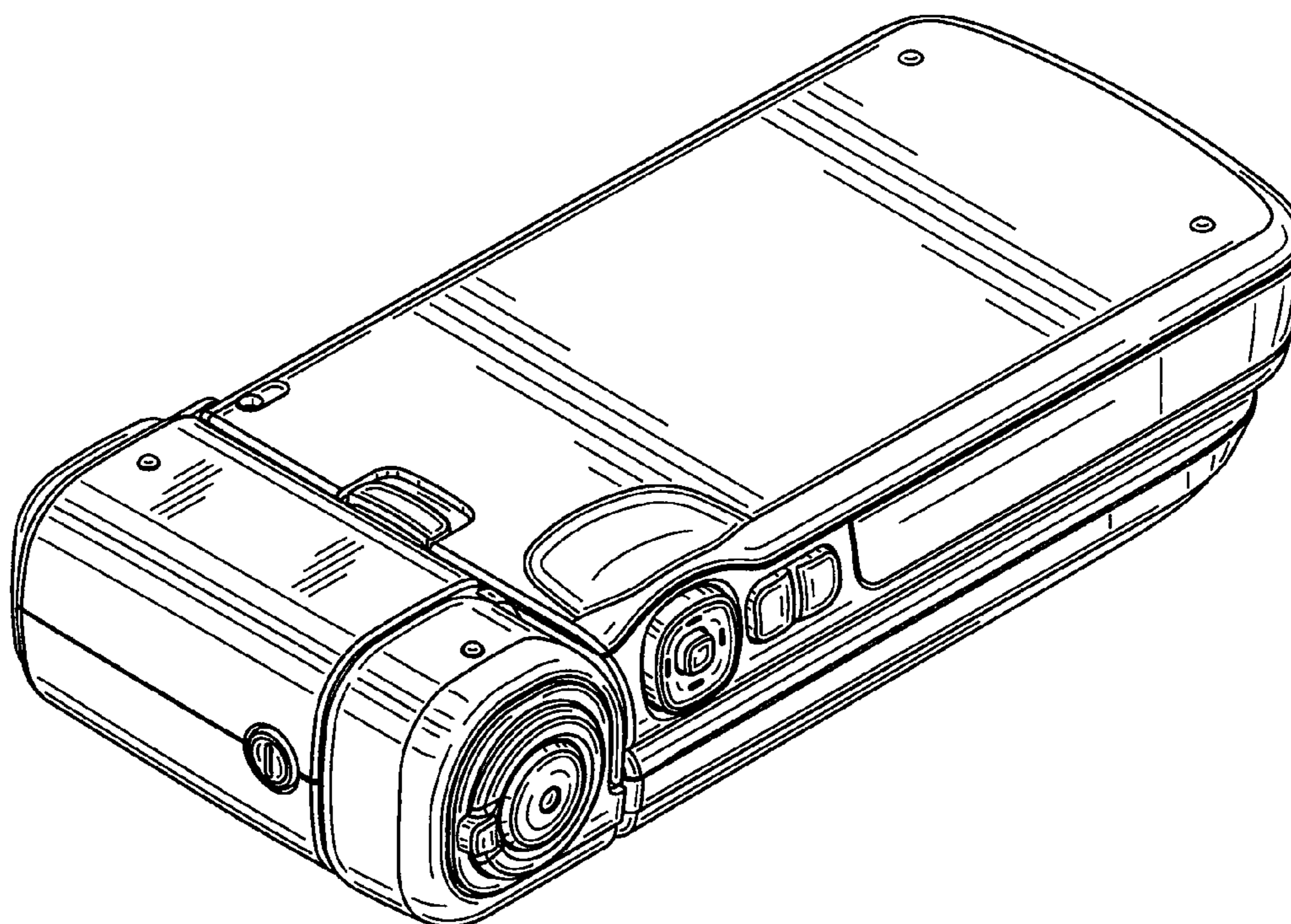


FIG. 8

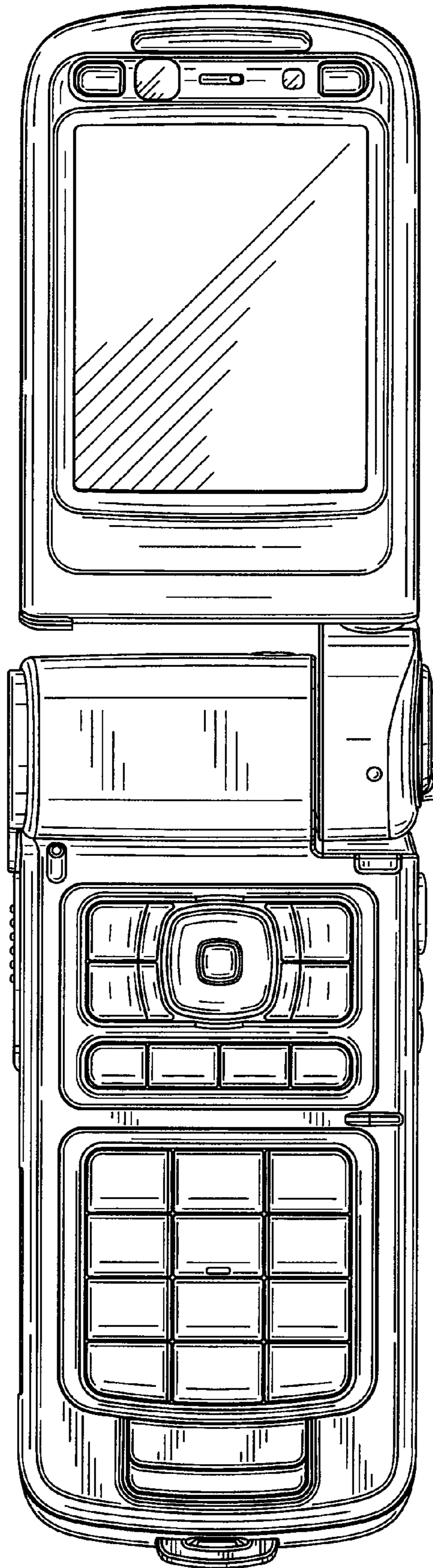


FIG. 9

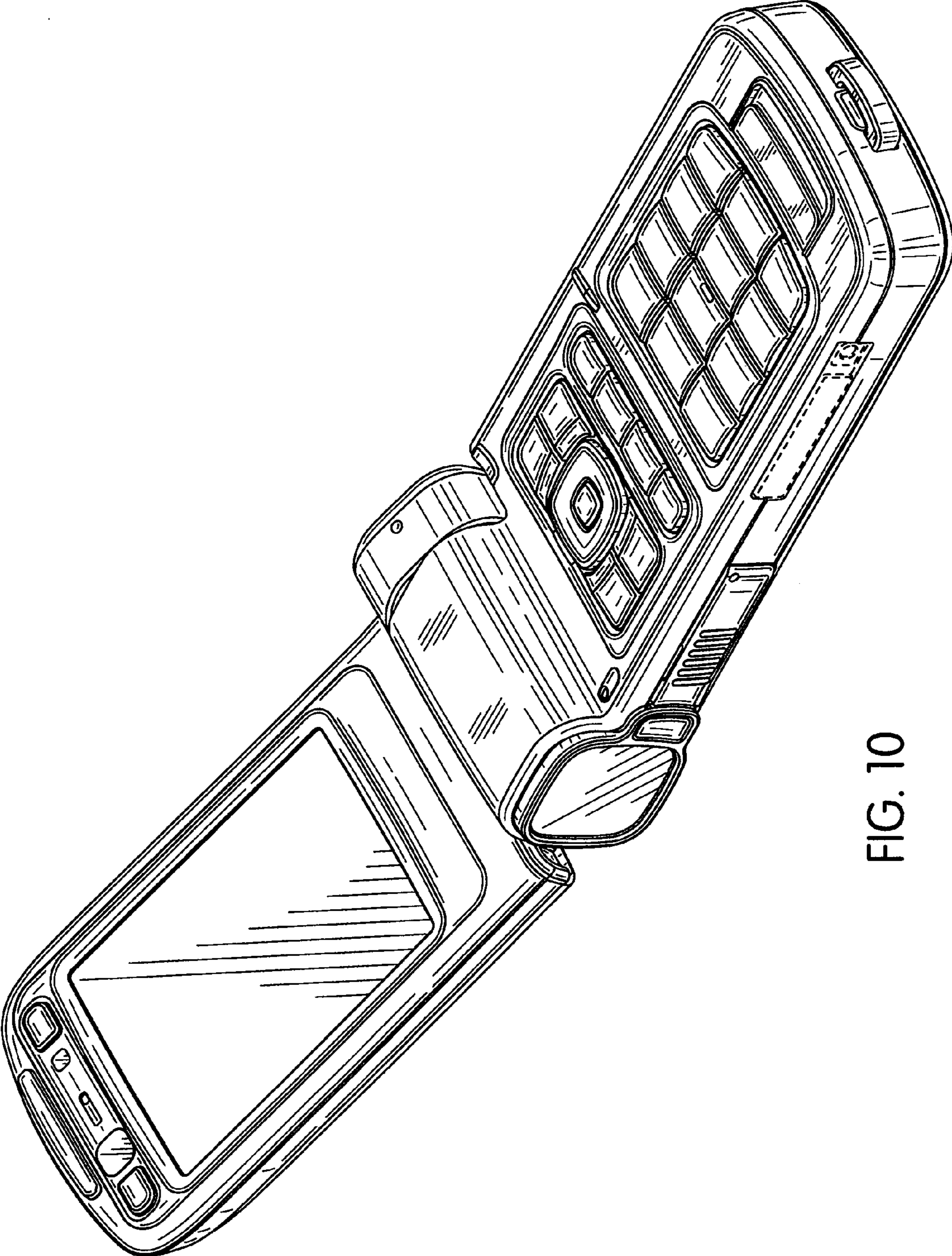


FIG. 10

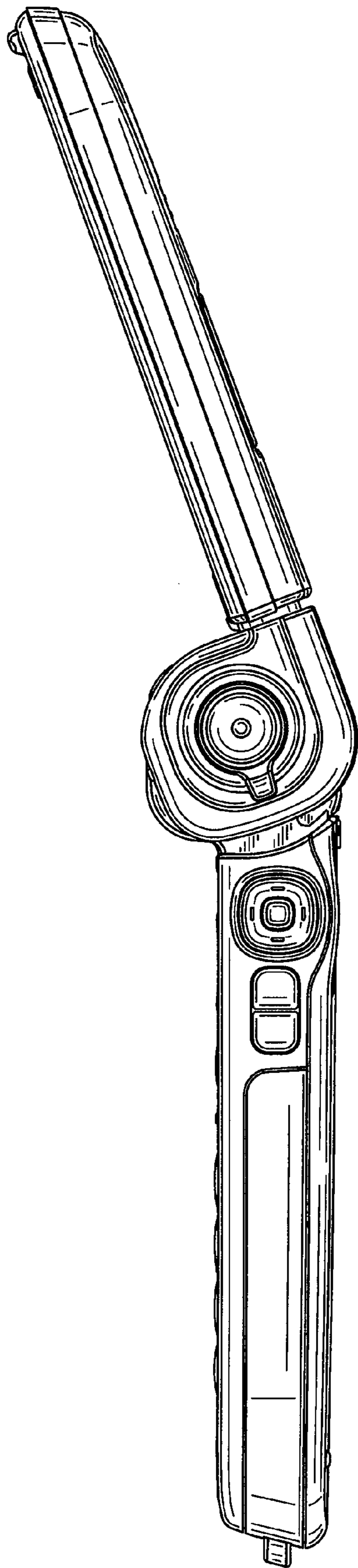


FIG. 11

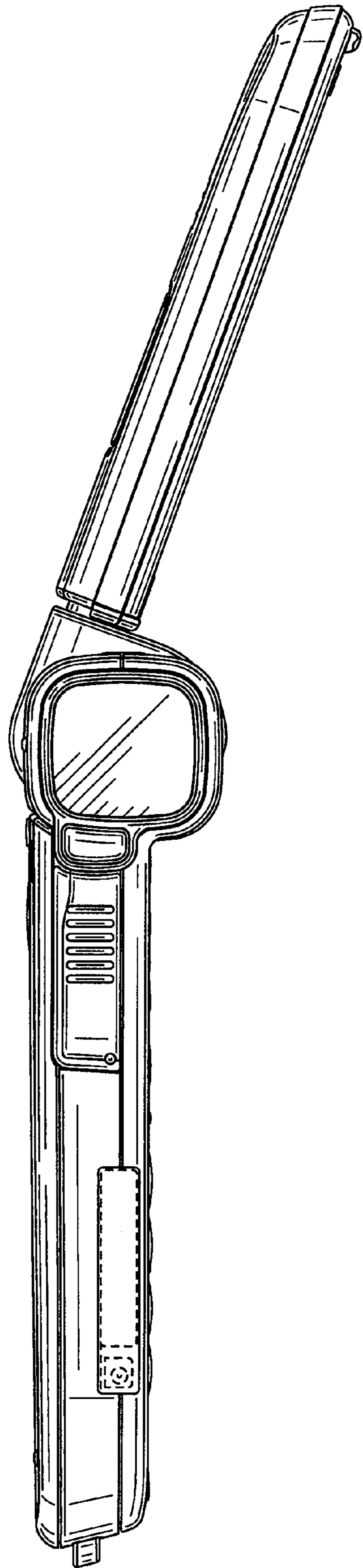


FIG. 12

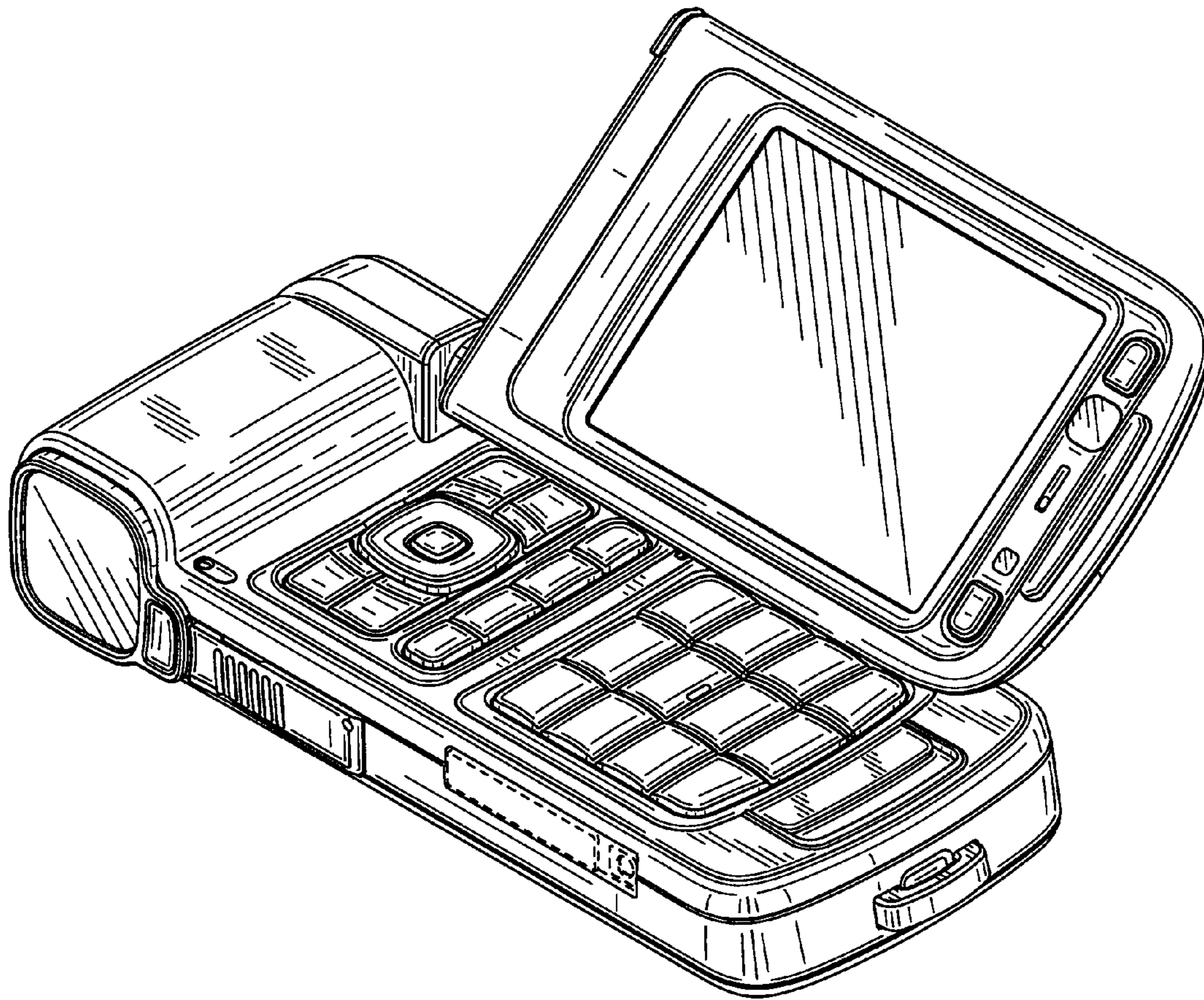


FIG. 13

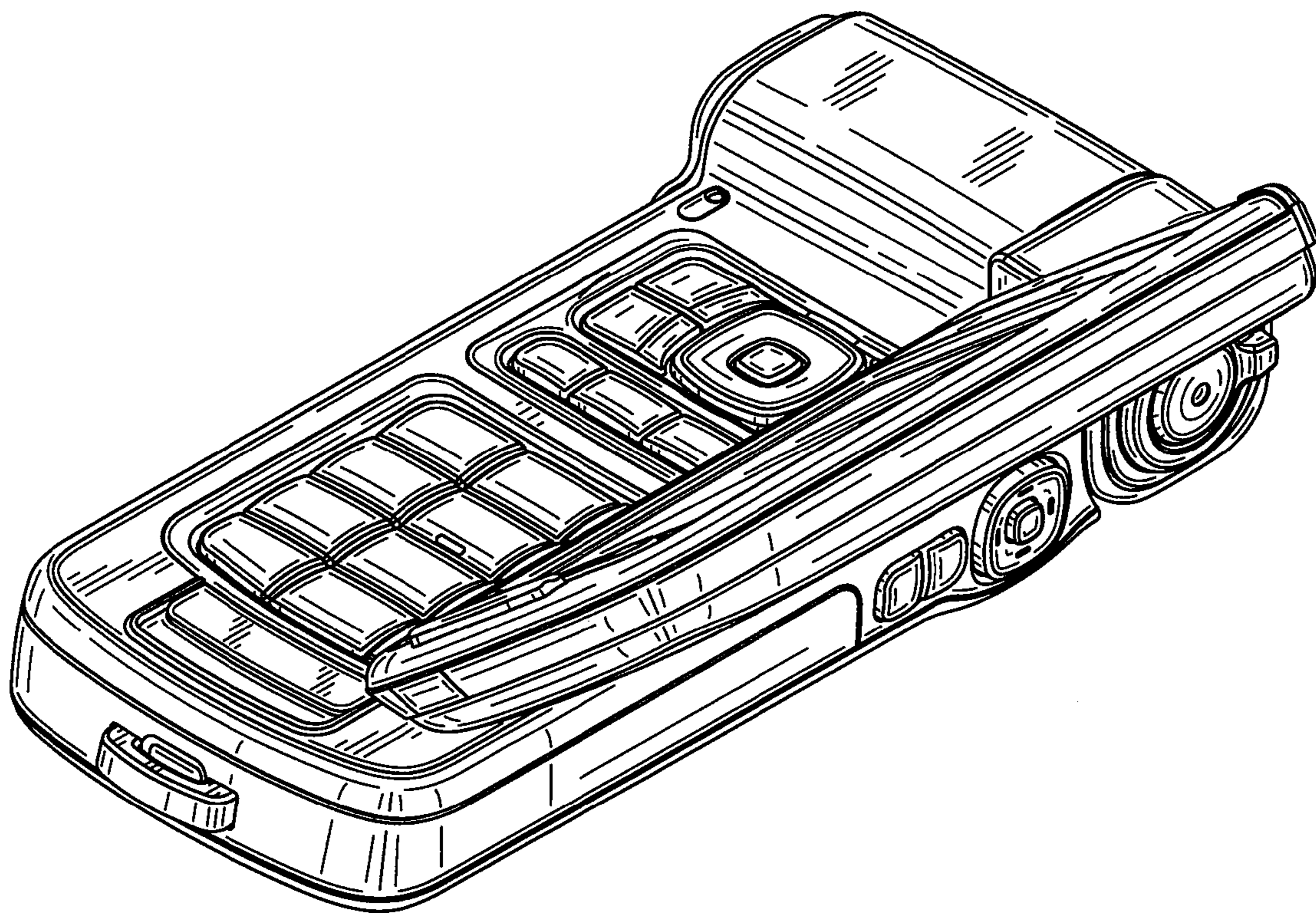


FIG. 14

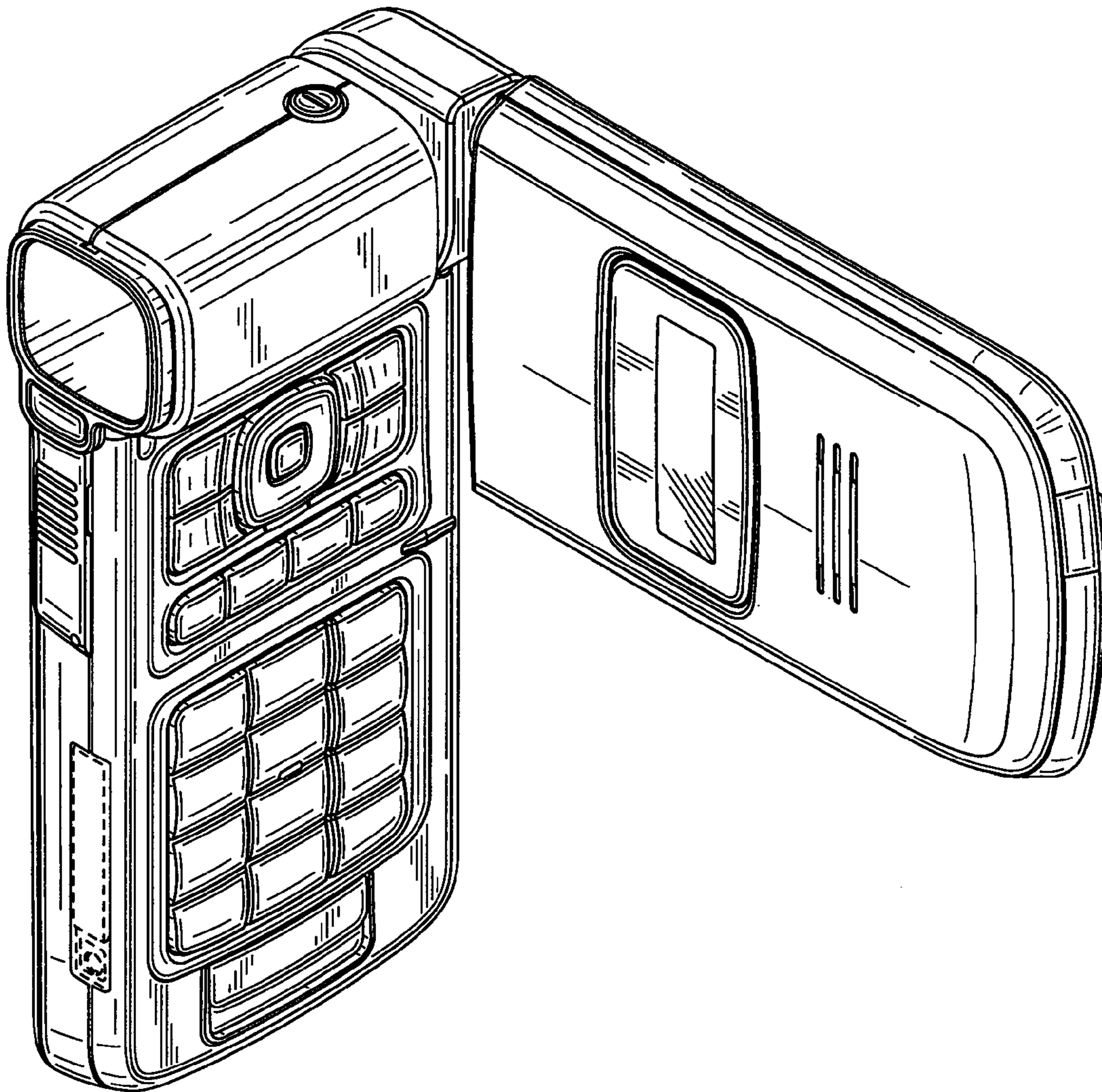


FIG. 15

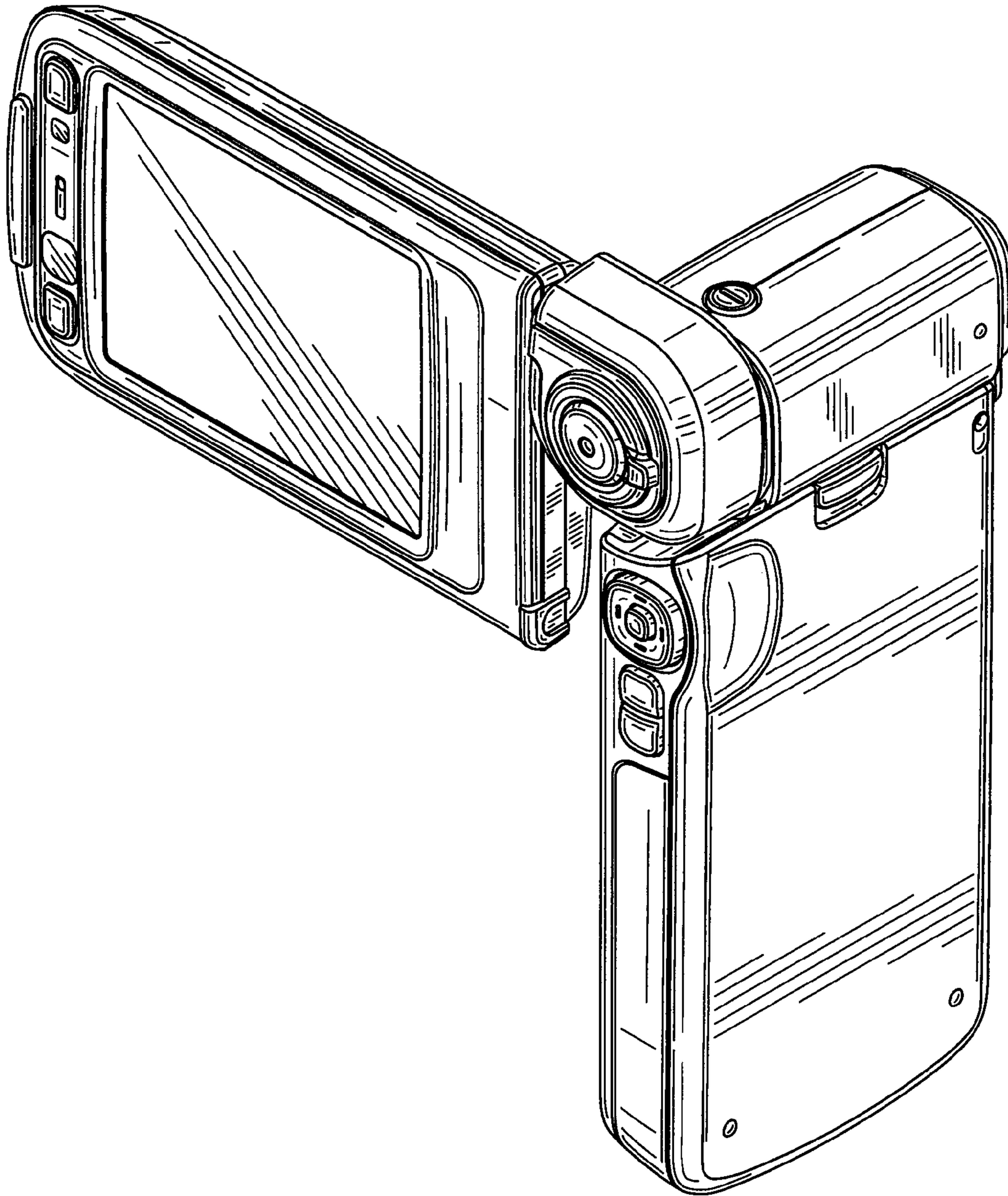


FIG. 16