



US00D559212S

(12) **United States Design Patent**
Alfthan

(10) **Patent No.:** **US D559,212 S**
(45) **Date of Patent:** **** Jan. 8, 2008**

(54) **HANDSET**

(75) Inventor: **Niilo Alfthan**, Tampere (FI)

(73) Assignee: **Nokia Corporation**, Espoo (FI)

(**) Term: **14 Years**

(21) Appl. No.: **29/247,685**

(22) Filed: **Jun. 30, 2006**

(30) **Foreign Application Priority Data**

Jan. 5, 2006 (FI) M20060005

(51) **LOC (8) Cl.** **14-03**

(52) **U.S. Cl.** **D14/138**

(58) **Field of Classification Search** D14/137,
D14/138, 147, 218, 247-248, 341-347, 496;
455/90.3, 556.1, 556.2, 575.1, 575.3, 575.4;
379/433.01-433.13; 361/814; 348/14.02
See application file for complete search history.

(56) **References Cited**

U.S. PATENT DOCUMENTS

D481,697 S * 11/2003 Rausch et al. D14/138

(Continued)

FOREIGN PATENT DOCUMENTS

WO DM/ 066 630 6/2005
WO DM/068014 * 7/2006
WO DM/068931 * 3/2007

OTHER PUBLICATIONS

Nokia 6131, announced Feb. 2006, [online], [retrieved on Jul. 5, 2007]. Retrieved from Internet ,<URL: http://www.gsmarena.com>.*

Nokia 6085, announced Sep. 2006, [online], [retrieved on Jul. 5, 2007]. Retrieved from Internet ,<URL: http://www.gsmarena.com>.*

Nokia 6086, announced Nov. 2006, [online], [retrieved on Jul. 5, 2007]. Retrieved from Internet ,<URL: http://www.gsmarena.com>.*

Samsung X430, announced 4th quarter 2003, [online],[retrieved on Jul. 5, 2007]. Retrieved from Internet ,<URL: http://www.gsmarena.com>.*

(Continued)

Primary Examiner—Jeffrey Asch

Assistant Examiner—Bridget L Eland

(74) *Attorney, Agent, or Firm*—Banner & Witcoff, Ltd.

(57) **CLAIM**

The ornamental design for a handset, as shown and described.

DESCRIPTION

FIG. 1 is a bottom plan view of a handset showing my new design;

FIG. 2 is a right side view thereof;

FIG. 3 is a front view thereof;

FIG. 4 is a left side view thereof;

FIG. 5 is a top plan view thereof;

FIG. 6 is a rear view thereof;

FIG. 7 is a perspective front view thereof;

FIG. 8 is a perspective rear view thereof;

FIG. 9 is a front view of the handset of FIGS. 1-8 in an in-use open position;

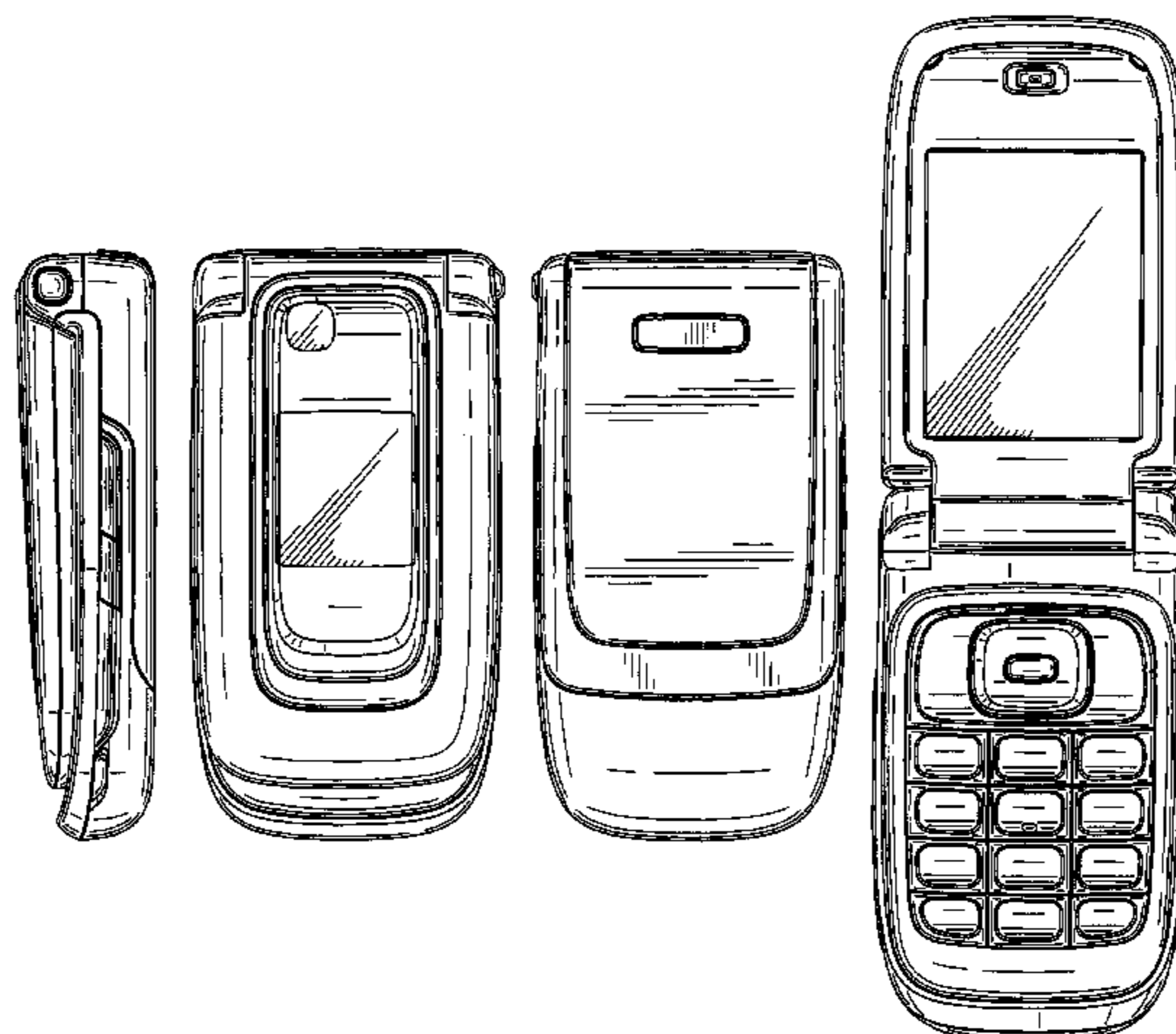
FIG. 10 is a perspective front view of the handset of FIGS. 1-8 in an in-use open position;

FIG. 11 is a right side view of the handset of FIGS. 1-8 in an in-use open position;

FIG. 12 is a left side view of the handset of FIGS. 1-8 in an in-use open position; and,

FIG. 13 is a rear view of the handset of FIGS. 1-8 in an in-use open position.

1 Claim, 7 Drawing Sheets



US D559,212 S

Page 2

U.S. PATENT DOCUMENTS

D489,699 S * 5/2004 Hwang et al. D14/138
D496,021 S * 9/2004 Jang D14/138
D497,604 S * 10/2004 Lee D14/138
D500,016 S * 12/2004 Kim D14/138
D506,454 S * 6/2005 Kim et al. D14/138
D508,034 S * 8/2005 Liao D14/138
D508,476 S * 8/2005 Kim D14/138
D512,038 S * 11/2005 Kim et al. D14/138
D512,039 S * 11/2005 Kim et al. D14/138
D512,394 S * 12/2005 Kim et al. D14/138
D512,396 S * 12/2005 Kim et al. D14/138
D519,486 S * 4/2006 Lee et al. D14/138
D519,968 S * 5/2006 Lee et al. D14/138
D520,977 S * 5/2006 Lee et al. D14/138
D521,477 S * 5/2006 Kim et al. D14/138
D536,322 S * 2/2007 Kim et al. D14/138
D537,429 S * 2/2007 Fahlgren D14/138
D542,770 S * 5/2007 Bower D14/138

D543,526 S * 5/2007 Jung et al. D14/138
2002/0197965 A1* 12/2002 Peng 455/90
2003/0083107 A1* 5/2003 Morishima 455/566
2004/0204065 A1* 10/2004 Kota et al. 455/556.1
2004/0248625 A1* 12/2004 Yoshida et al. 455/575.1
2005/0227634 A1* 10/2005 Kori et al. 455/90.3
2007/0004475 A1* 1/2007 Kouo et al. 455/575.3

OTHER PUBLICATIONS

Samsung S410i, announced 1st quarter 2005, [online], [retrieved on Jul. 6, 2007]. Retrieved from Internet ,<URL: <http://www.gsmarena.com>>.*

Motorola V975, announced 3rd quarter 2004, [online], [retrieved on Jul. 6, 2007]. Retrieved from Internet ,<URL: <http://www.gsmarena.com>>.*

BenQ M580, announced 1st quarter 2006, [online], [retrieved on Jul. 6, 2007]. Retrieved from Internet ,<URL: <http://www.gsmarena.com>>.*

* cited by examiner

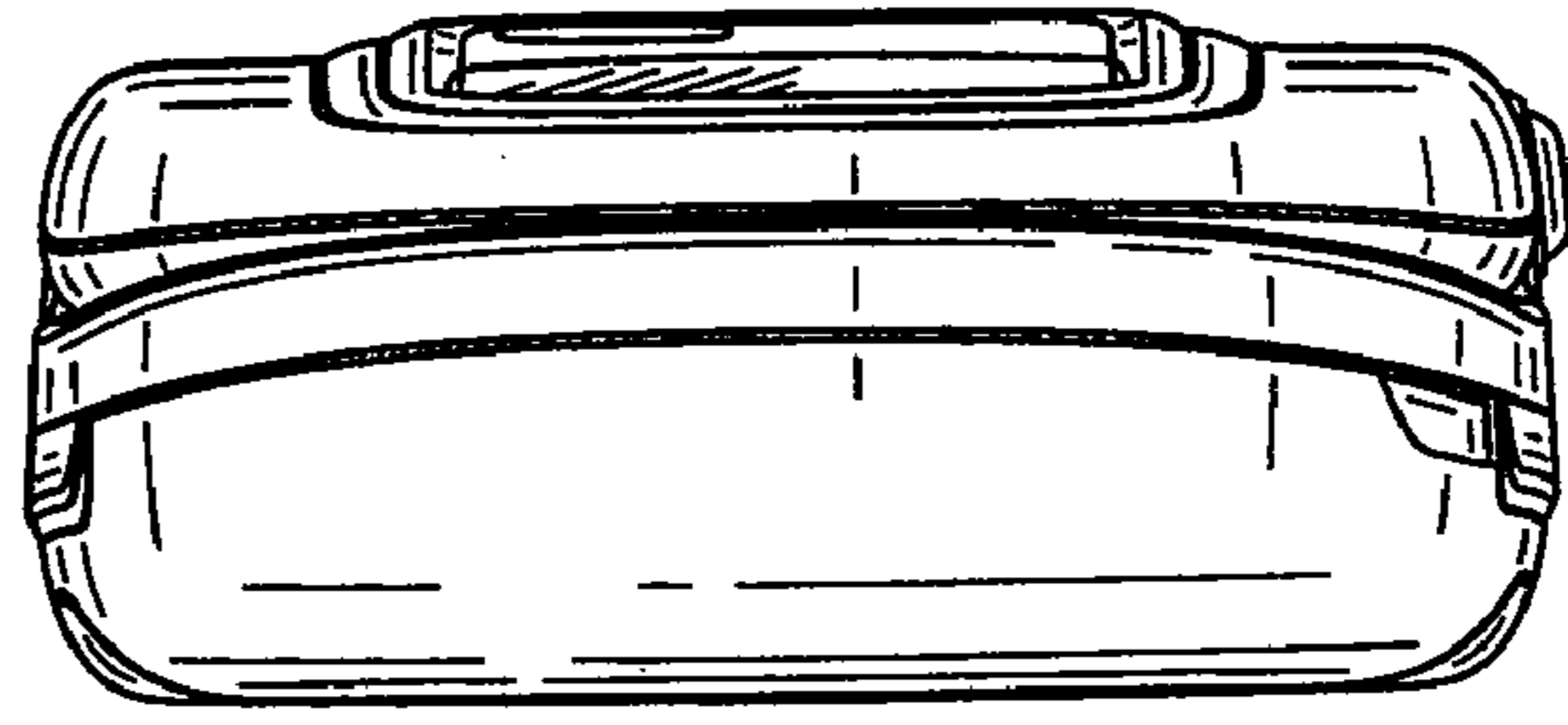


FIG. 1

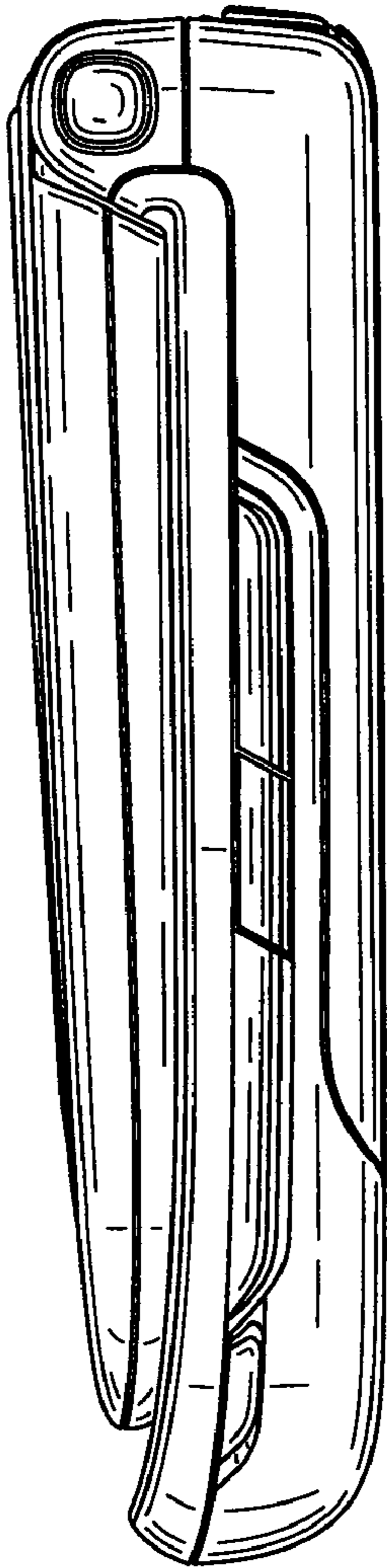


FIG. 2

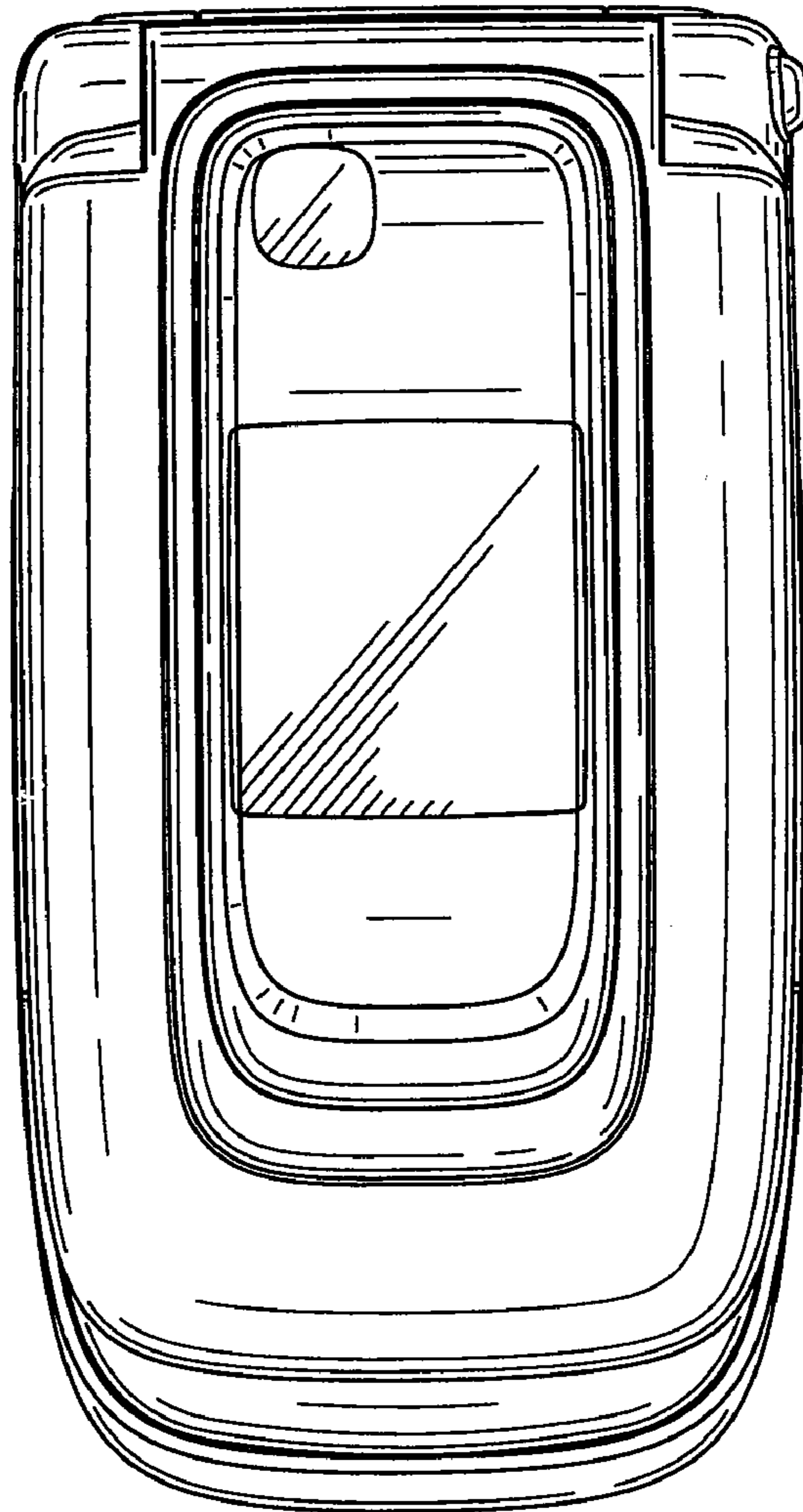


FIG. 3

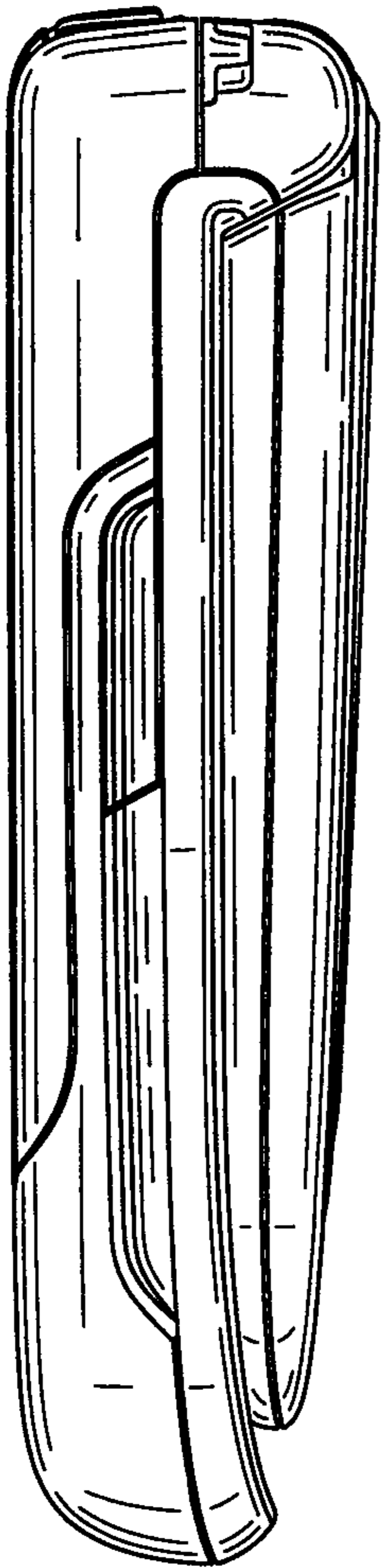


FIG. 4

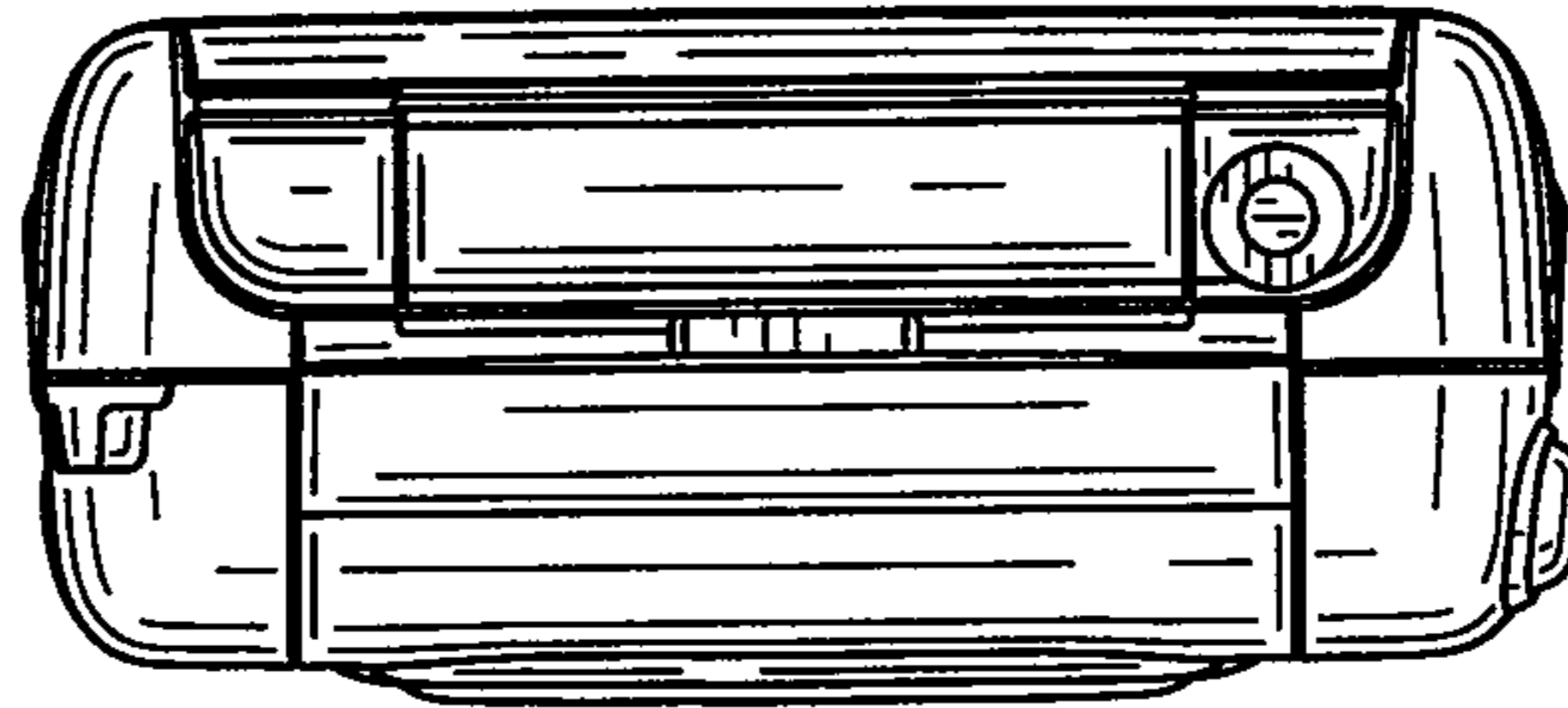


FIG. 5

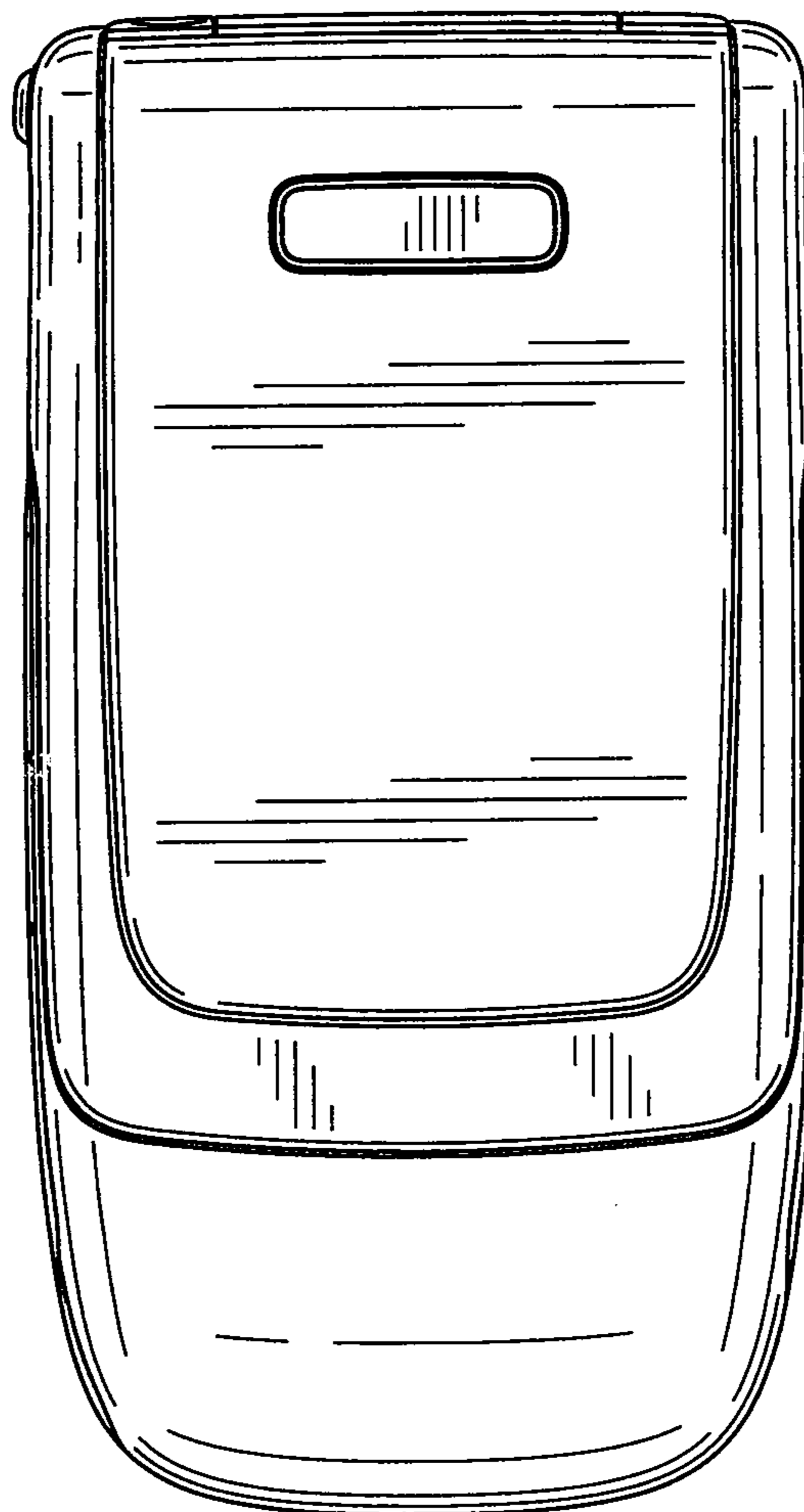


FIG. 6

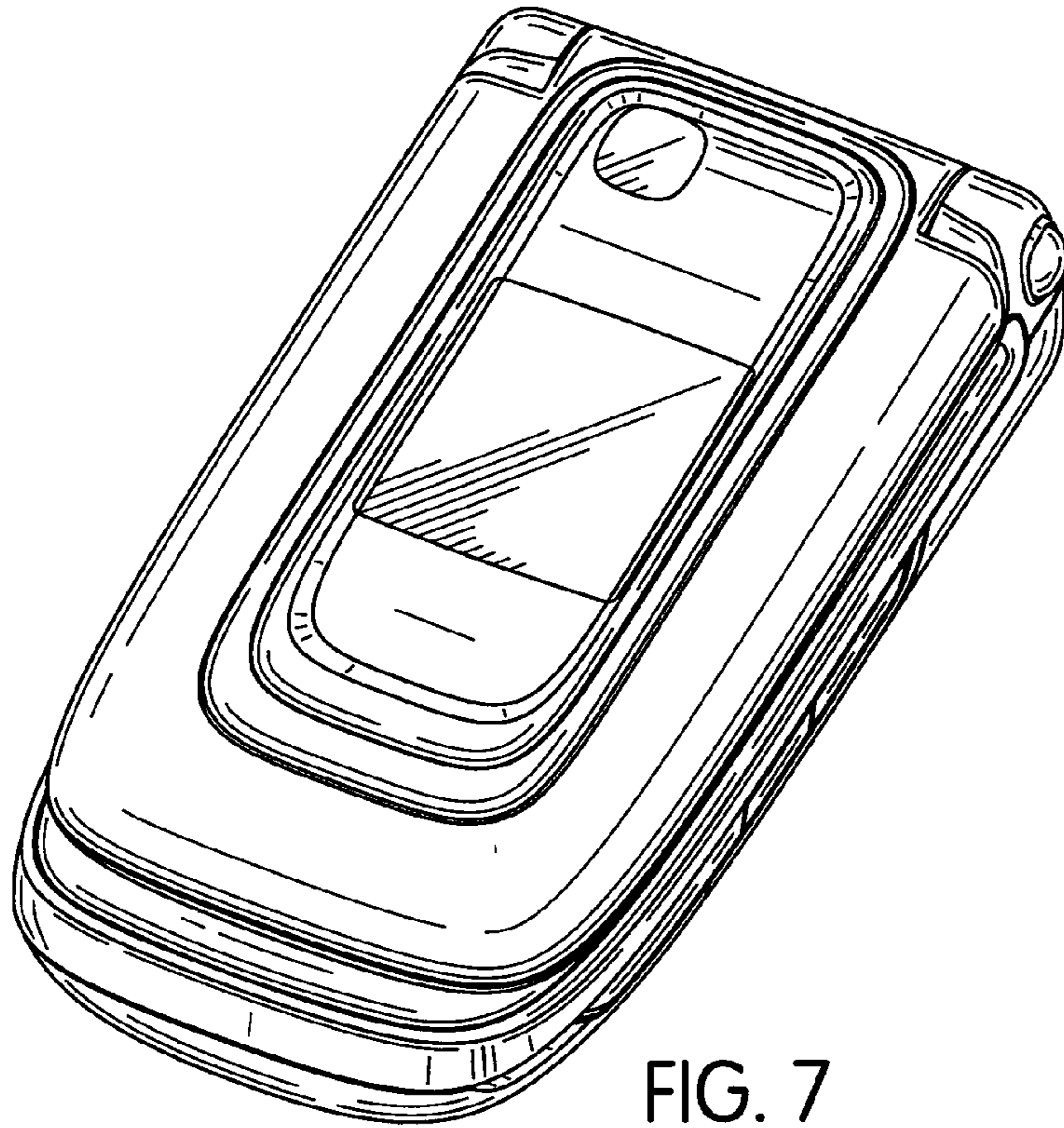


FIG. 7

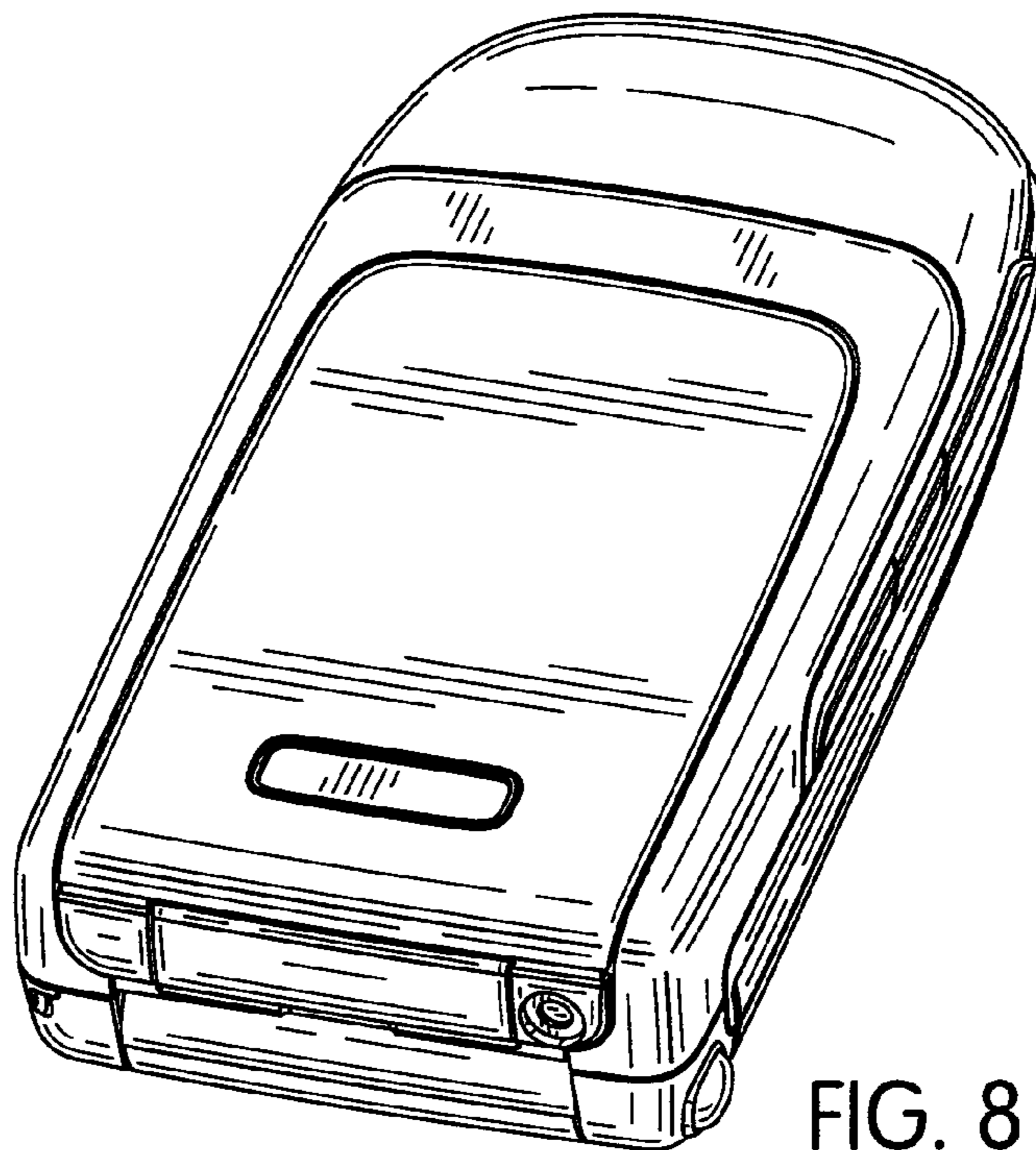


FIG. 8

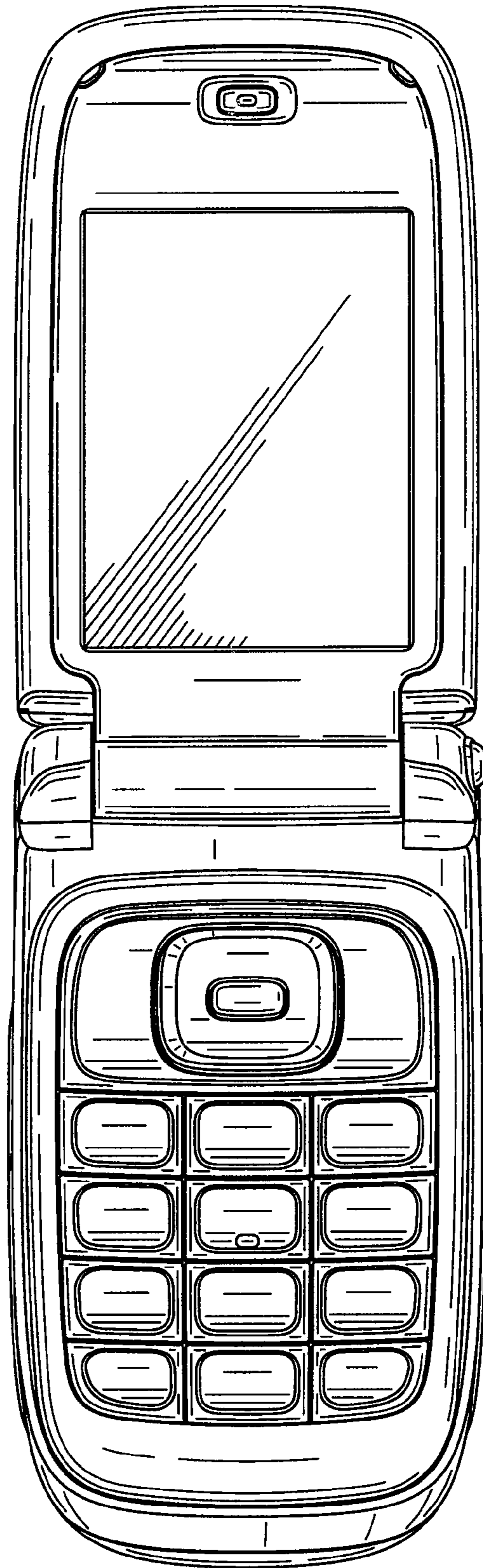


FIG. 9



FIG. 10

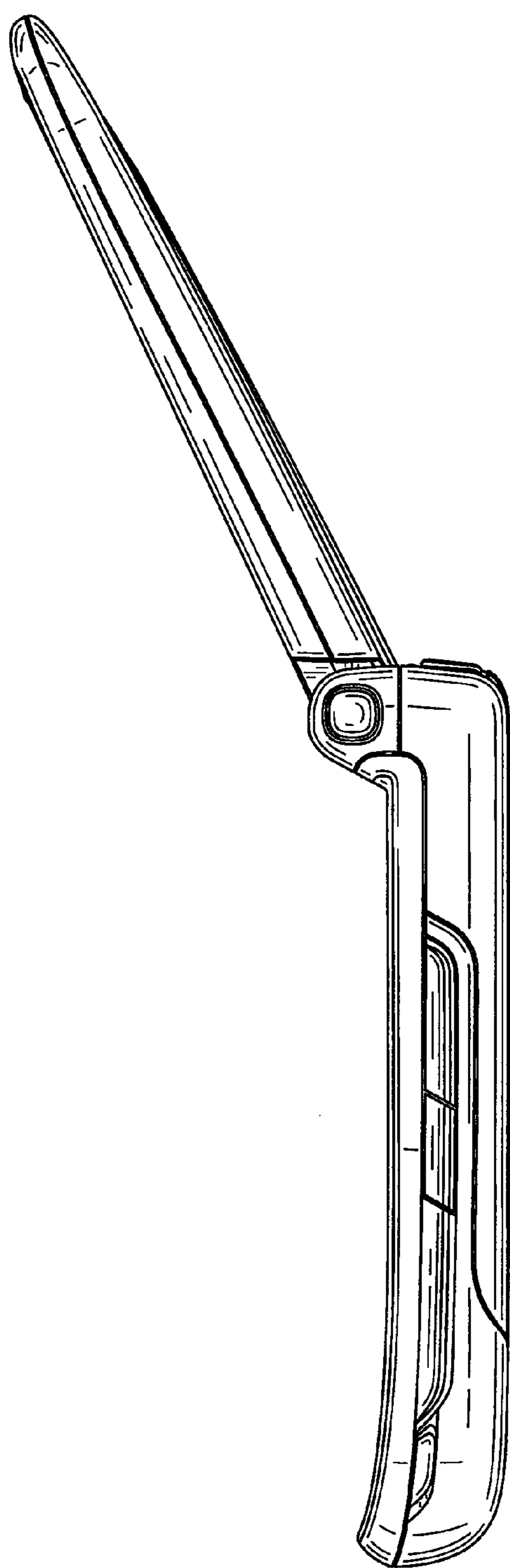


FIG. 11

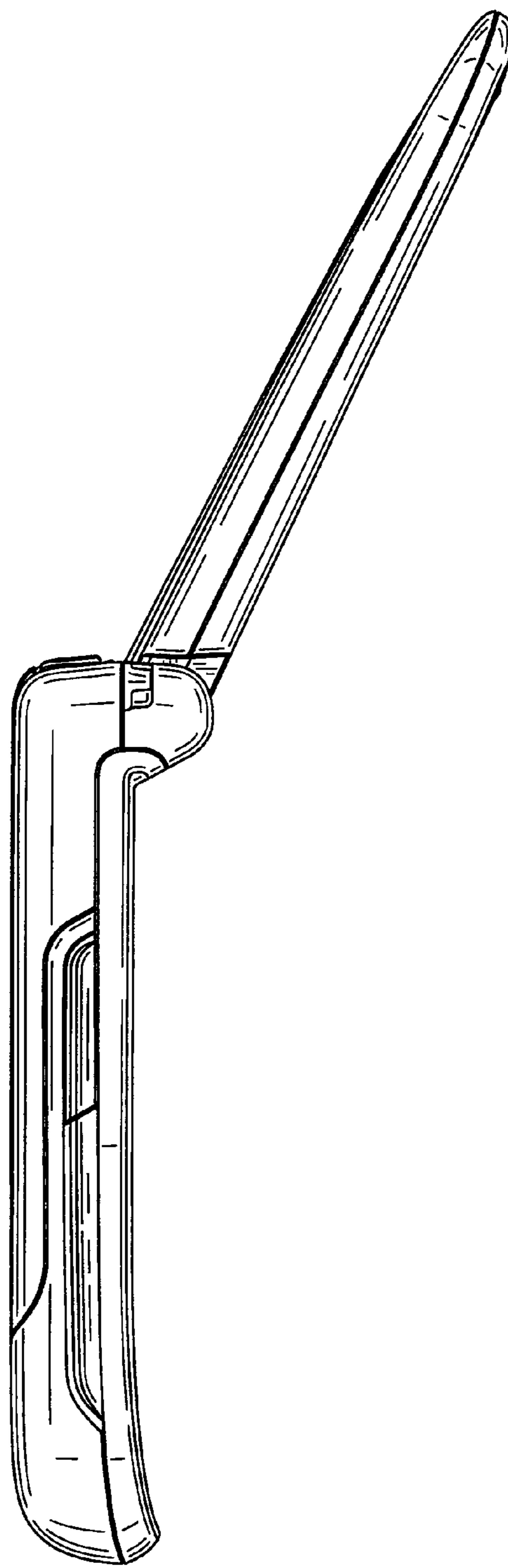


FIG. 12

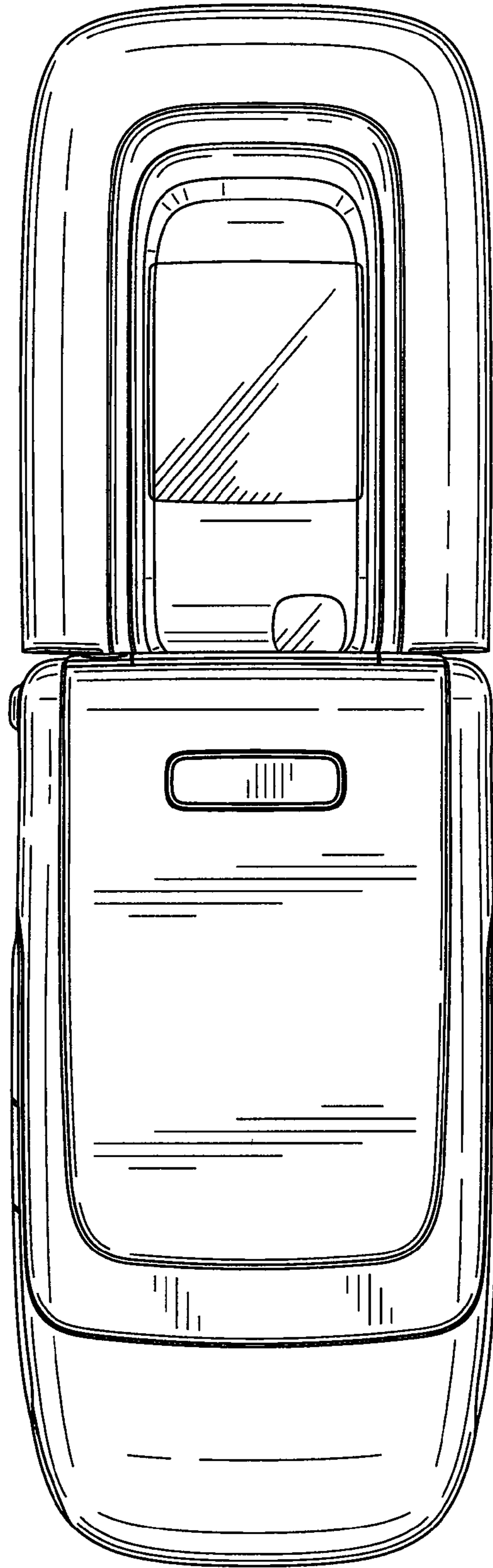


FIG. 13