



US00D559211S

(12) **United States Design Patent**
Brown et al.

(10) **Patent No.:** **US D559,211 S**
(45) **Date of Patent:** **** Jan. 8, 2008**

(54) **ENDPOINT FOR A VIDEOCONFERENCE**

D510,920 S 10/2005 Tandberg et al.

(75) Inventors: **David Brown**, Oslo (NO); **Maren Anne Røed**, Oslo (NO)

* cited by examiner

(73) Assignee: **Tandberg Telecom AS**, Lysaker (NO)

Primary Examiner—Terry A Wallace

(**) Term: **14 Years**

(74) *Attorney, Agent, or Firm*—Oblon, Spivak, McClelland, Maier & Neustadt, P.C.

(21) Appl. No.: **29/265,996**

(57) **CLAIM**

(22) Filed: **Sep. 11, 2006**

The ornamental design for an endpoint for a videoconference, as shown and described.

(30) **Foreign Application Priority Data**

DESCRIPTION

Apr. 28, 2006 (NO) 20060217

FIG. 1 is a front perspective view of the endpoint for a videoconference embodying our new design.

(51) **LOC (8) Cl.** **14-03**

FIG. 2 is a back perspective view of the endpoint for a videoconference.

(52) **U.S. Cl.** **D14/130; D14/142; D14/159**

FIG. 3 is another front perspective view of the endpoint for a videoconference.

(58) **Field of Classification Search** D14/130,
D14/148, 146, 158, 155, 142, 496, 125, 126,
D14/240, 243; 348/14.01–14.16, 211.99;
370/352, 356; 382/557; 455/557, 566; 379/88.17,
379/90.01, 93.17, 93.19, 93.22, 102.06, 419,
379/420.01–420.04, 428.01–428.04, 433.01–436,
379/440, 441, 454, 900

FIG. 4 is a front view of a lower portion of the endpoint for a videoconference.

See application file for complete search history.

FIG. 5 is a right side perspective view of the endpoint for a videoconference.

(56) **References Cited**

FIG. 6 is a left side perspective view of the endpoint for a videoconference.

U.S. PATENT DOCUMENTS

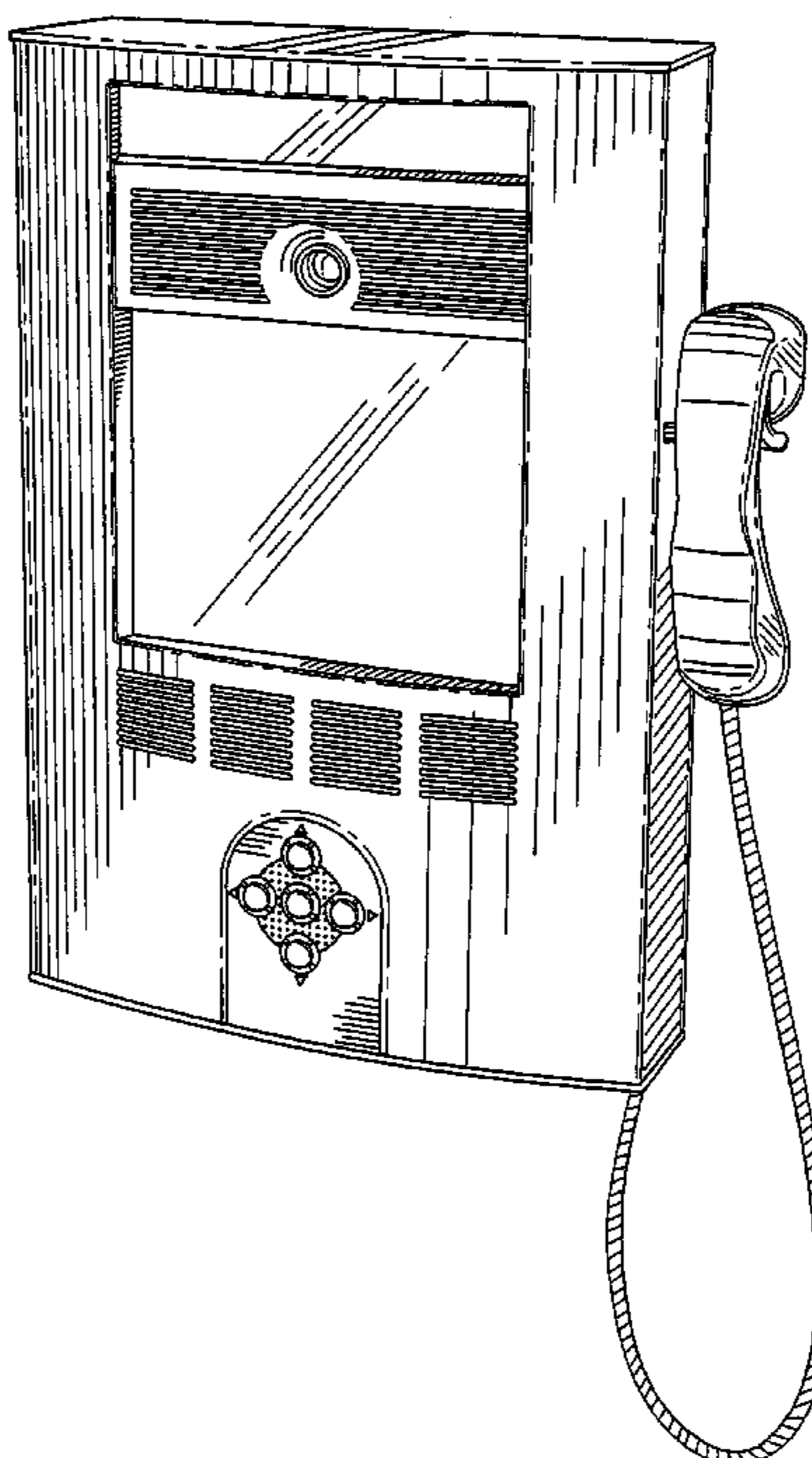
FIG. 7 is a top perspective view of the endpoint for a videoconference.

- 5,303,300 A * 4/1994 Eckstein 379/102.06
- 5,475,741 A * 12/1995 Davis et al. 379/102.06
- D391,565 S * 3/1998 Nanjo D14/130
- 5,907,606 A * 5/1999 Ingalsbe et al. 379/146
- D411,194 S * 6/1999 Wilson D14/130
- D424,049 S * 5/2000 Ho et al. D14/130
- D487,435 S * 3/2004 Huang et al. D14/130

FIG. 8 is a bottom perspective view of the endpoint for a videoconference; and,

FIG. 9 is another front perspective view of the endpoint for a videoconference.

1 Claim, 8 Drawing Sheets



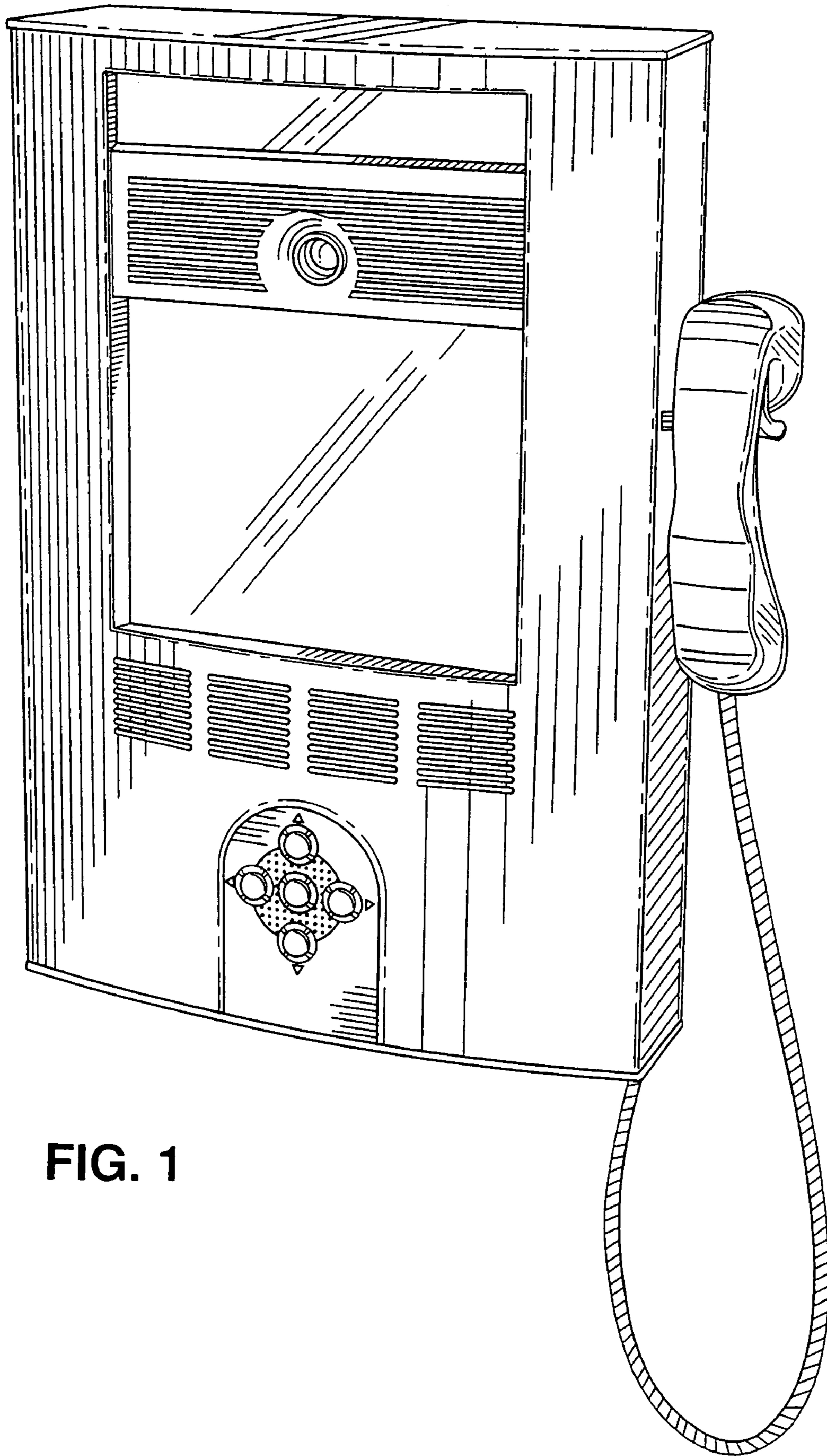


FIG. 1

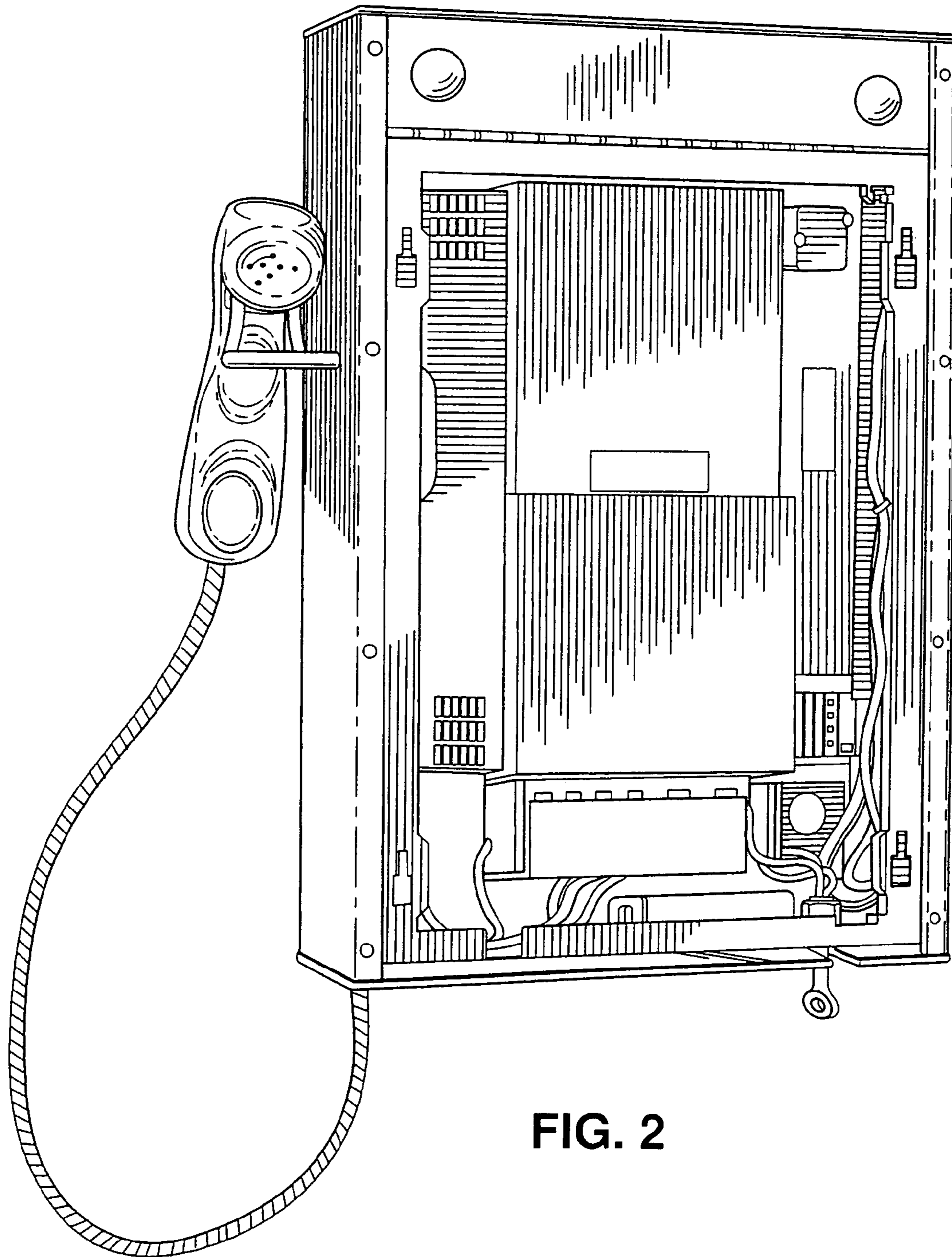


FIG. 2

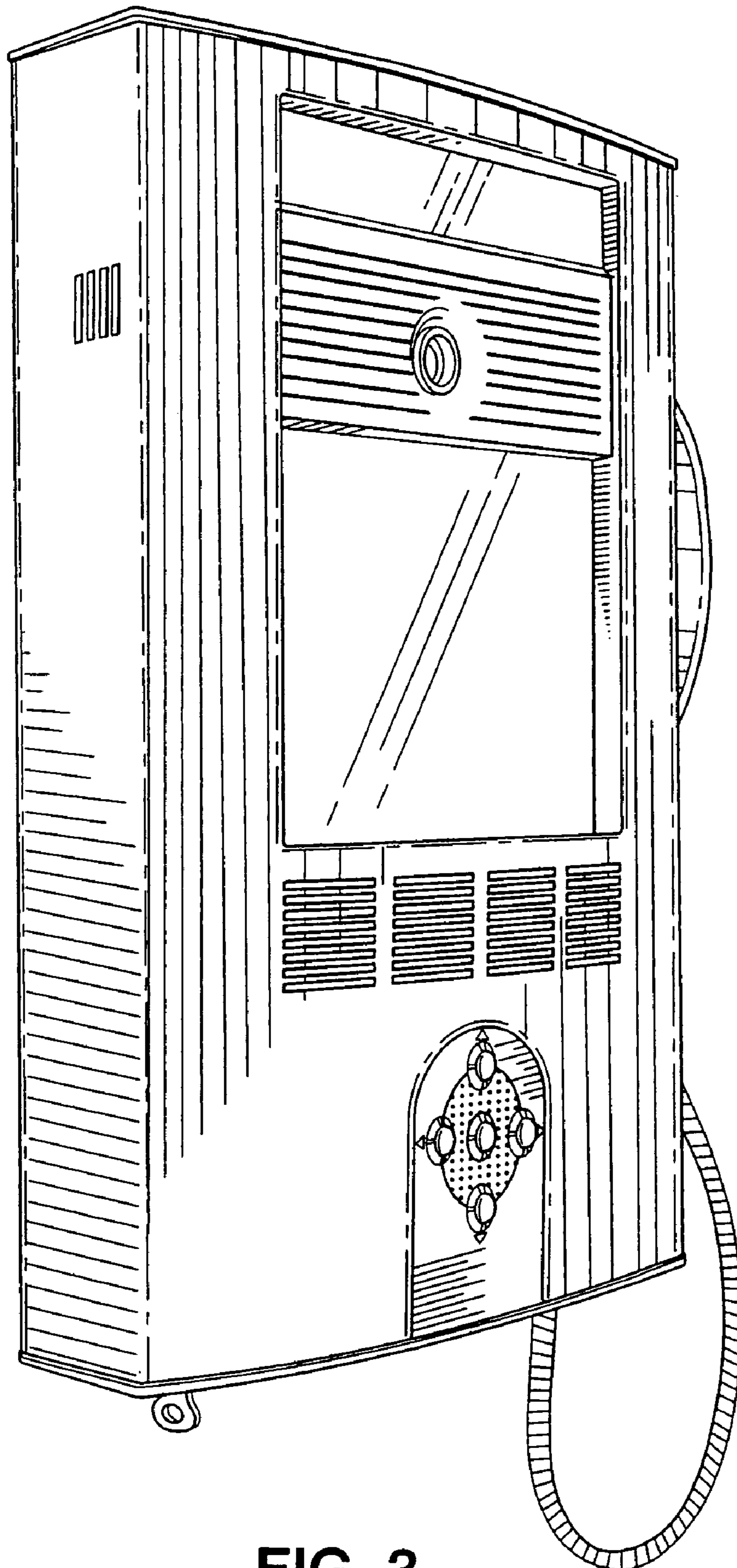


FIG. 3

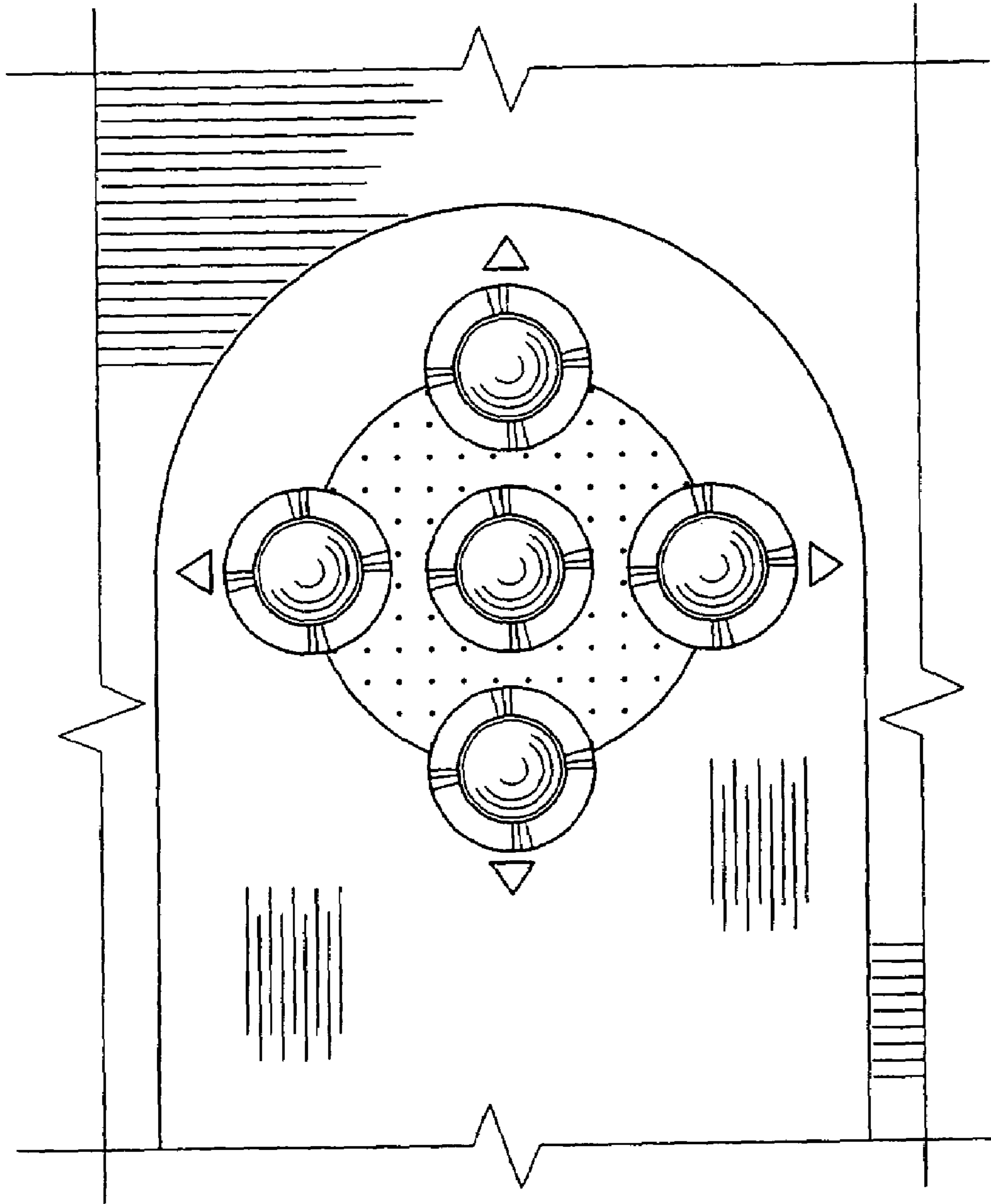


FIG. 4

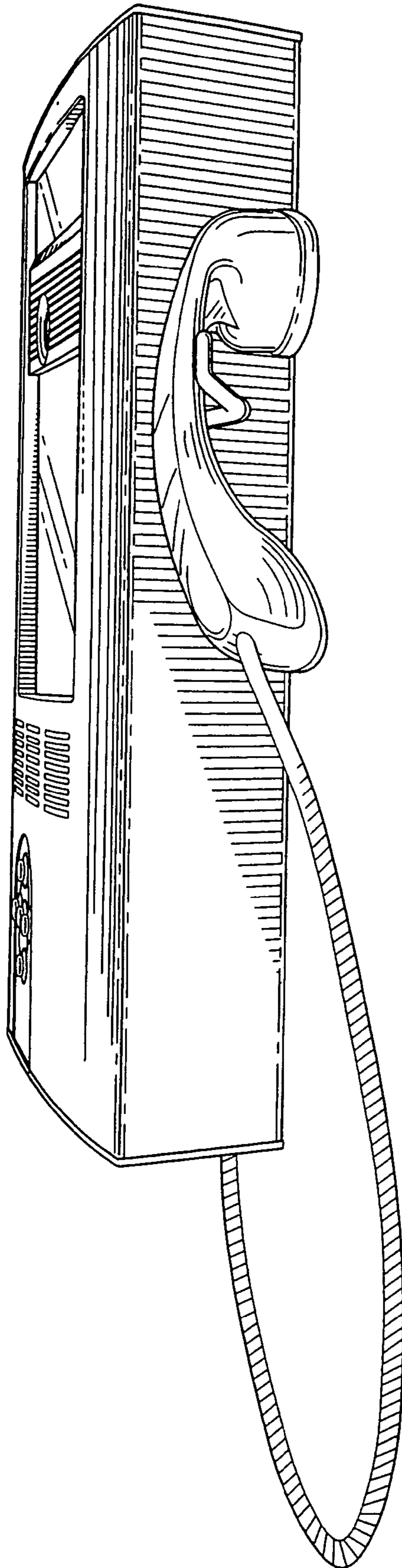


FIG. 5

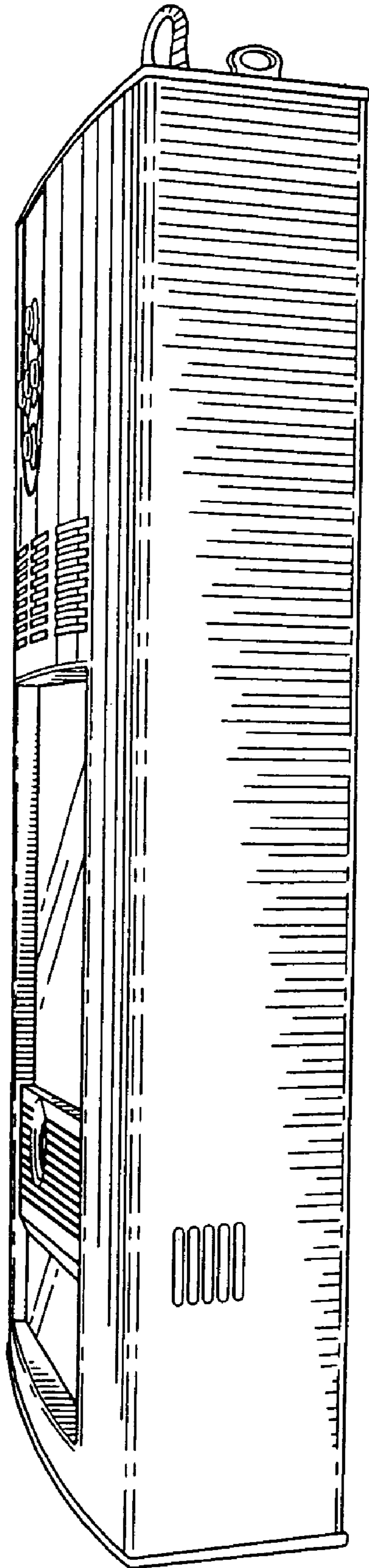


FIG. 6

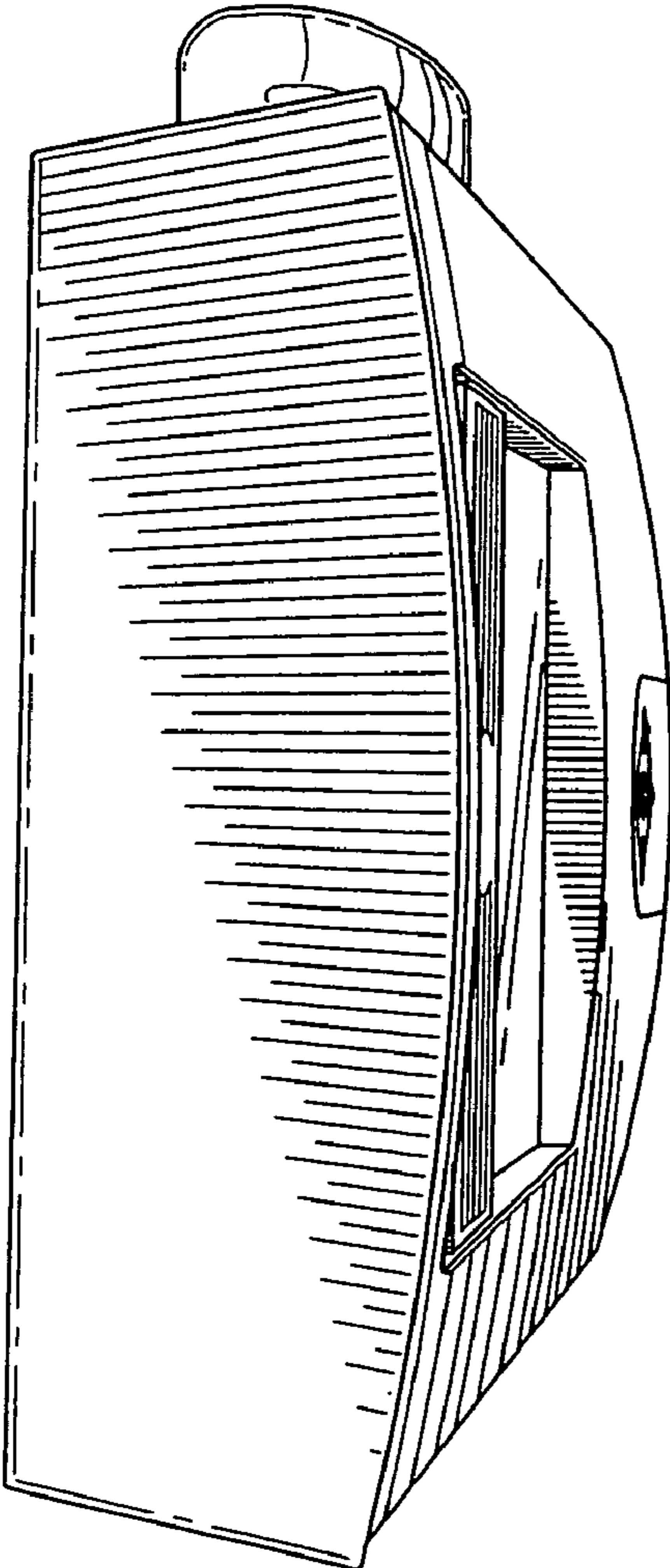


FIG. 7

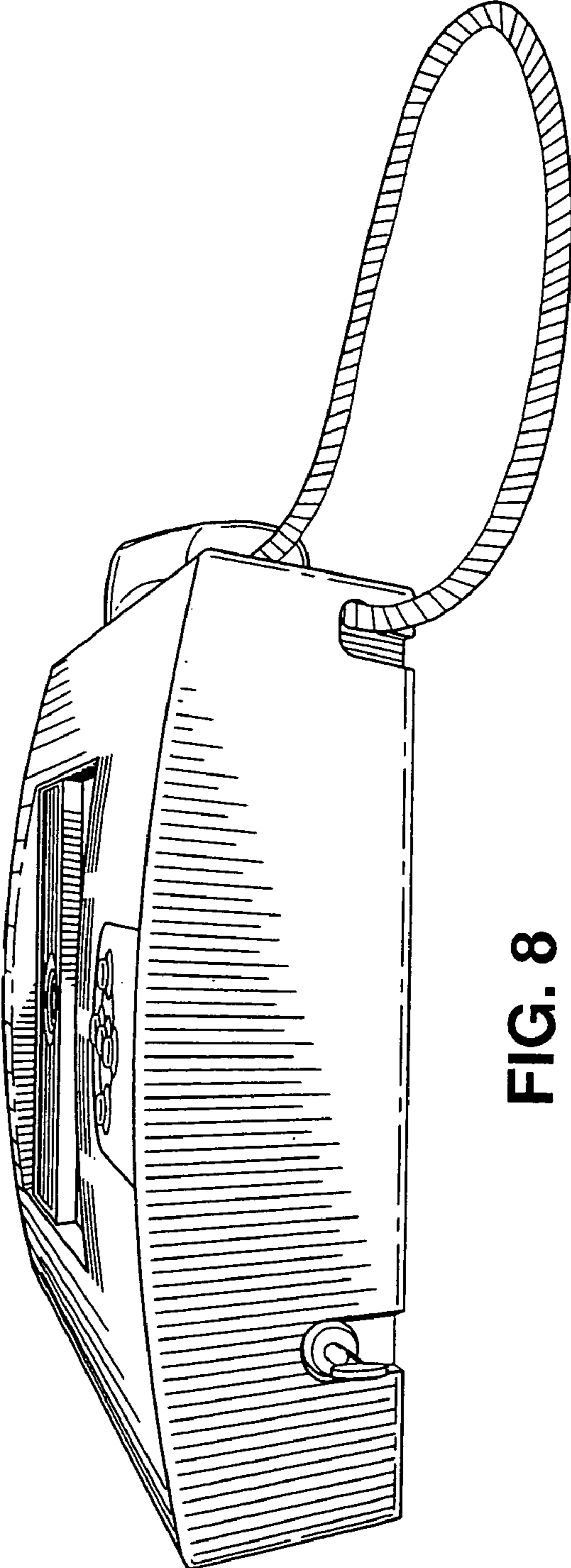


FIG. 8

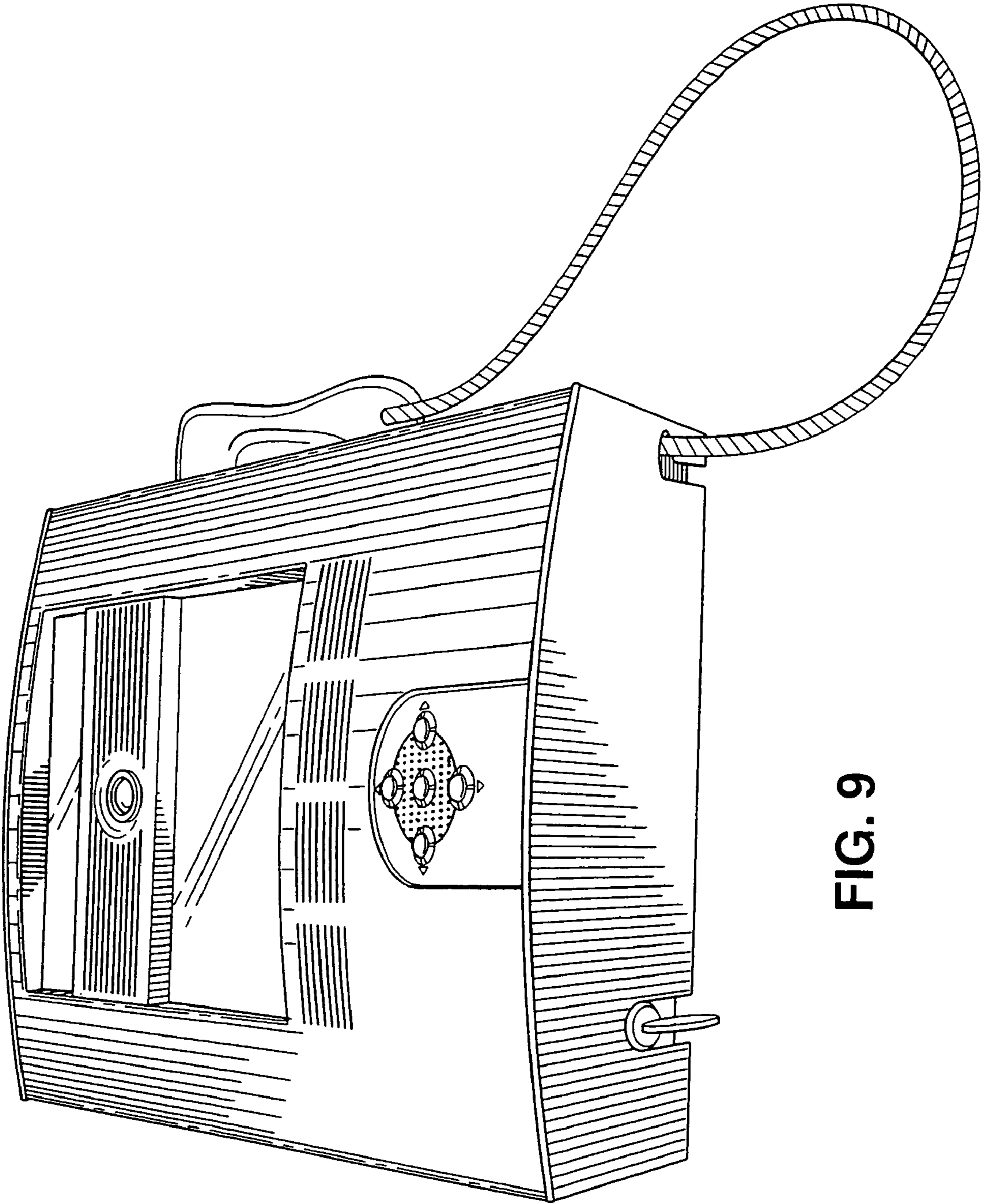


FIG. 9