



US00D559209S

(12) **United States Design Patent**
Ahmad-Taylor et al.

(10) **Patent No.:** **US D559,209 S**
(45) **Date of Patent:** **** Jan. 8, 2008**

(54) **SET-TOP BOX**

(75) Inventors: **Ty O. Ahmad-Taylor**, New York, NY
(US); **Gregory Edelin**, Berkeley, CA
(US)

(73) Assignee: **Comcast Cable Holdings, LLC**,
Philadelphia, PA (US)

(**) Term: **14 Years**

(21) Appl. No.: **29/285,685**

(22) Filed: **Apr. 5, 2007**

(51) **LOC (8) Cl.** **14-03**

(52) **U.S. Cl.** **D14/125**

(58) **Field of Classification Search** D14/125-135,
D14/239, 379, 371, 374-376, 113, 136, 492,
D14/299, 356, 361-363, 365, 496; D13/151,
D13/153; 312/7.2, 208.1-223.2; 348/836,
348/838, 180, 184, 325, 739, 10, 460; 341/12;
248/917-924; 345/104, 133, 156, 168, 87,
345/173; 349/1, 2, 11, 62; 361/690-696
See application file for complete search history.

(56) **References Cited**

U.S. PATENT DOCUMENTS

D423,110 S * 4/2000 Cipkowski D24/225
D490,796 S * 6/2004 Allen D14/156
D513,414 S * 1/2006 Nagao et al. D14/496

D513,750 S * 1/2006 Ko et al. D14/365
D515,090 S * 2/2006 Huang D14/367
D524,286 S * 7/2006 Sogabe D14/168
D531,590 S * 11/2006 Maeyama D14/125
D538,795 S * 3/2007 Wong et al. D14/240
D544,853 S * 6/2007 Harris D14/156

* cited by examiner

Primary Examiner—Gary D. Watson

Assistant Examiner—Randall H Gholson

(74) *Attorney, Agent, or Firm*—Brooks Kushman P.C.

(57) **CLAIM**

The ornamental design for a set-top box, as shown and described.

DESCRIPTION

FIG. 1 is a perspective view of a set-top box as viewed from the front, showing our new design;

FIG. 2 is a top plan view thereof;

FIG. 3 is a front elevational view thereof;

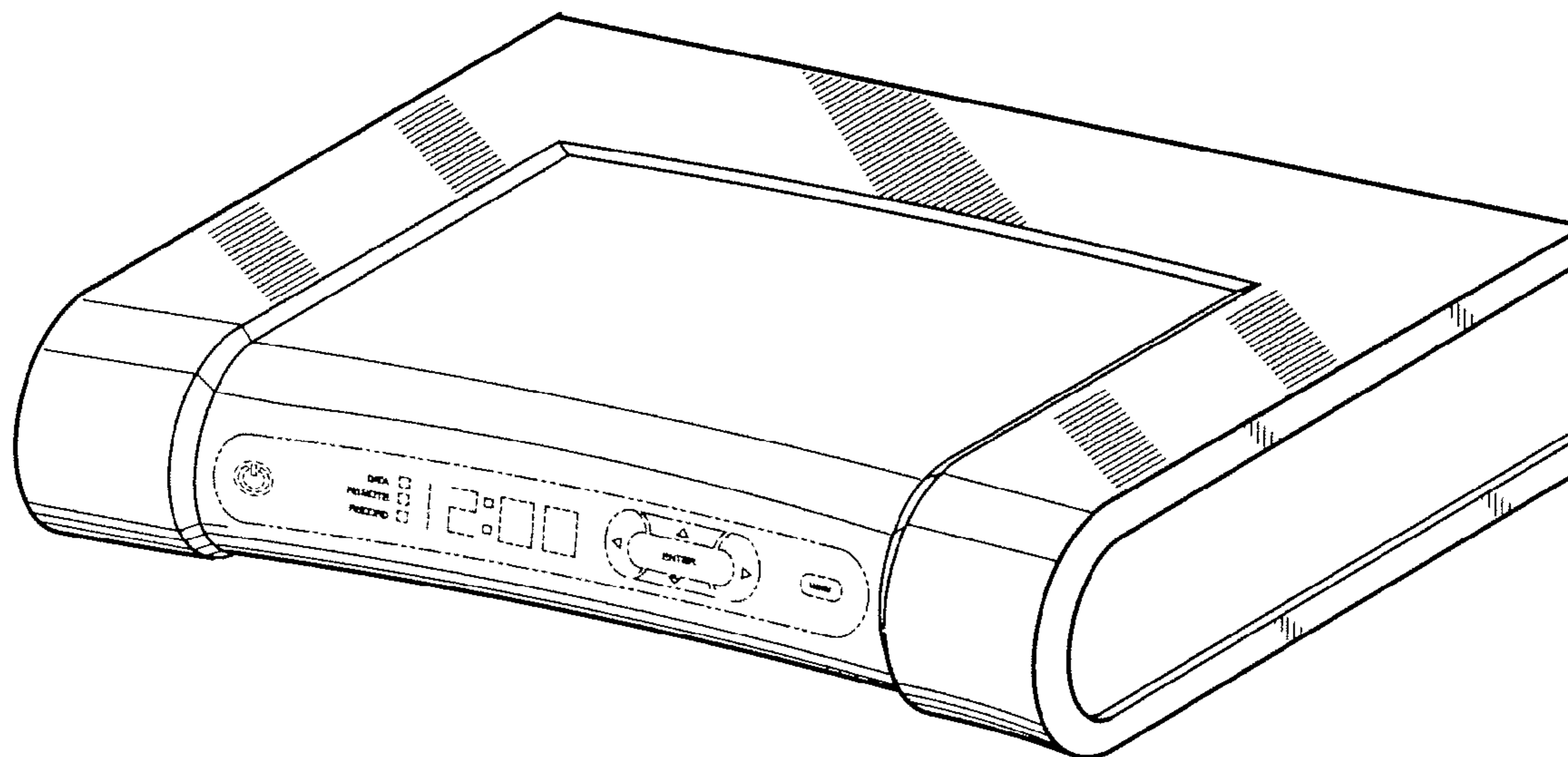
FIG. 4 is a bottom plan view thereof;

FIG. 5 is a left side elevational view thereof; and,

FIG. 6 is a right side elevational view thereof.

The broken lines are for illustrative purposes only and form no part of the claimed design.

1 Claim, 4 Drawing Sheets



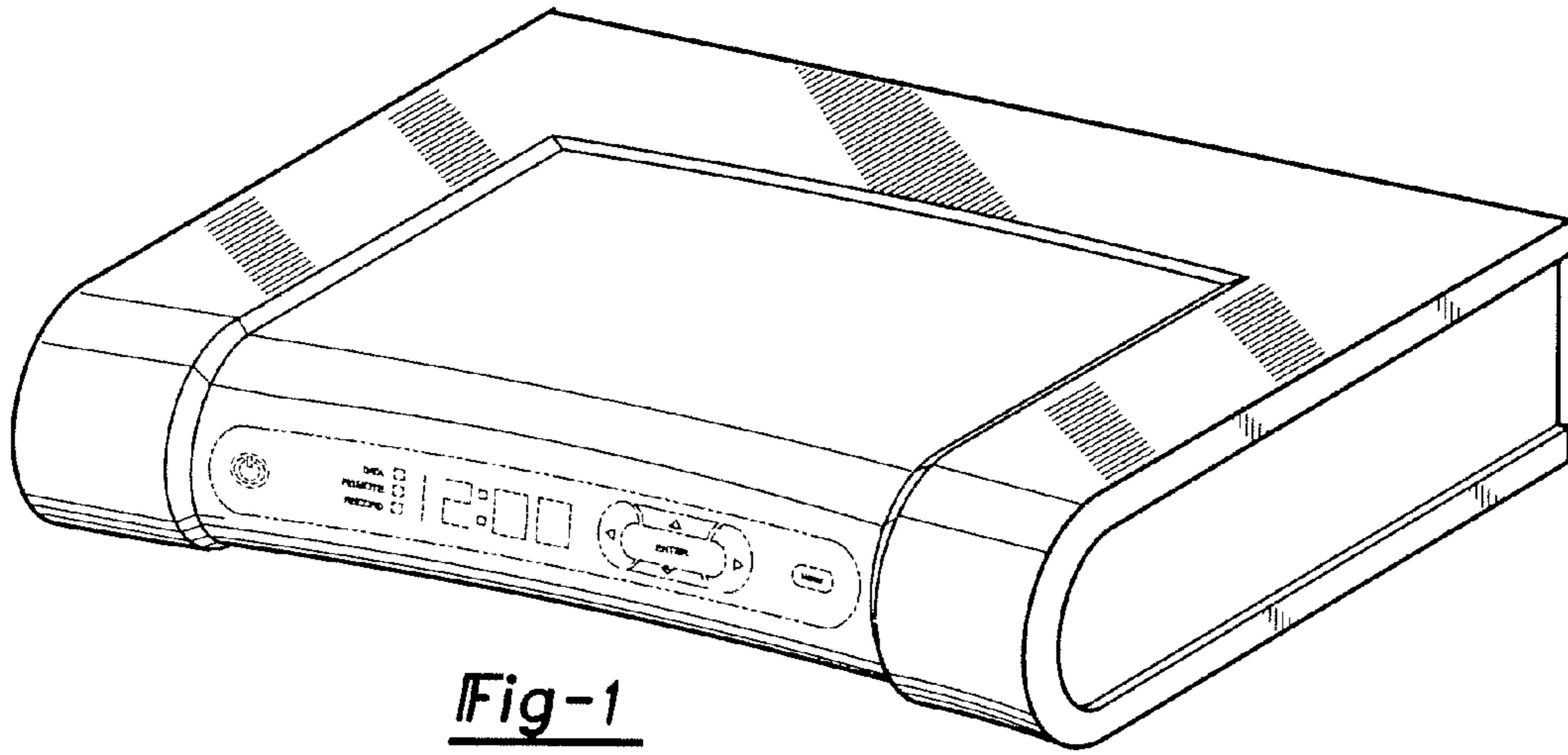


Fig-1

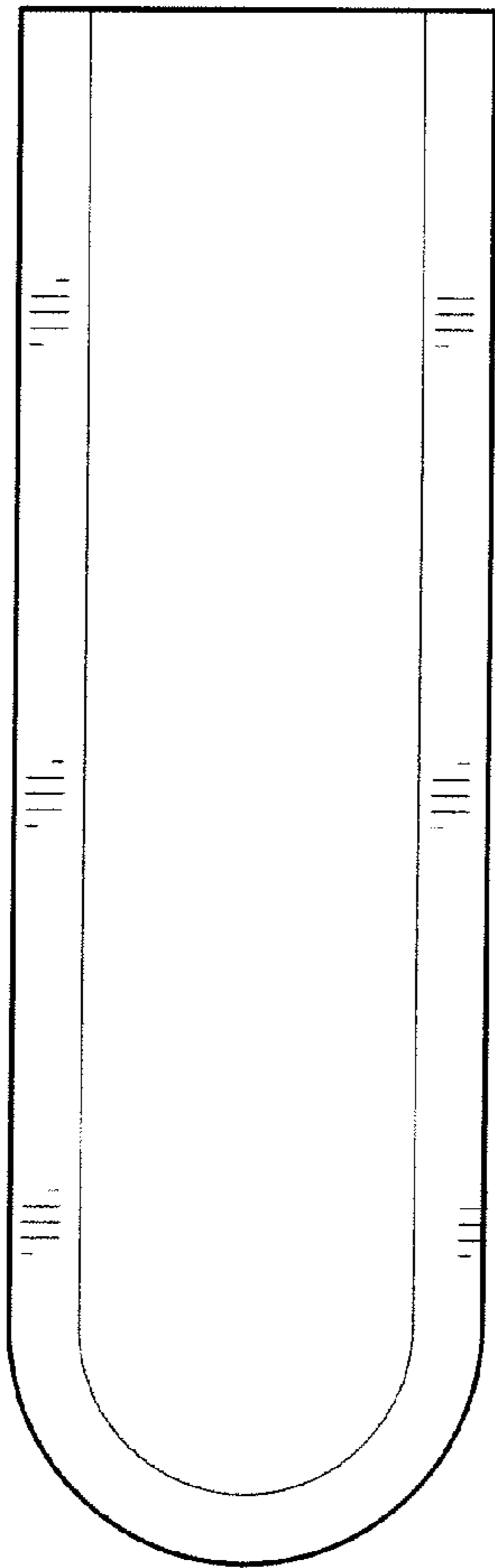


Fig-5

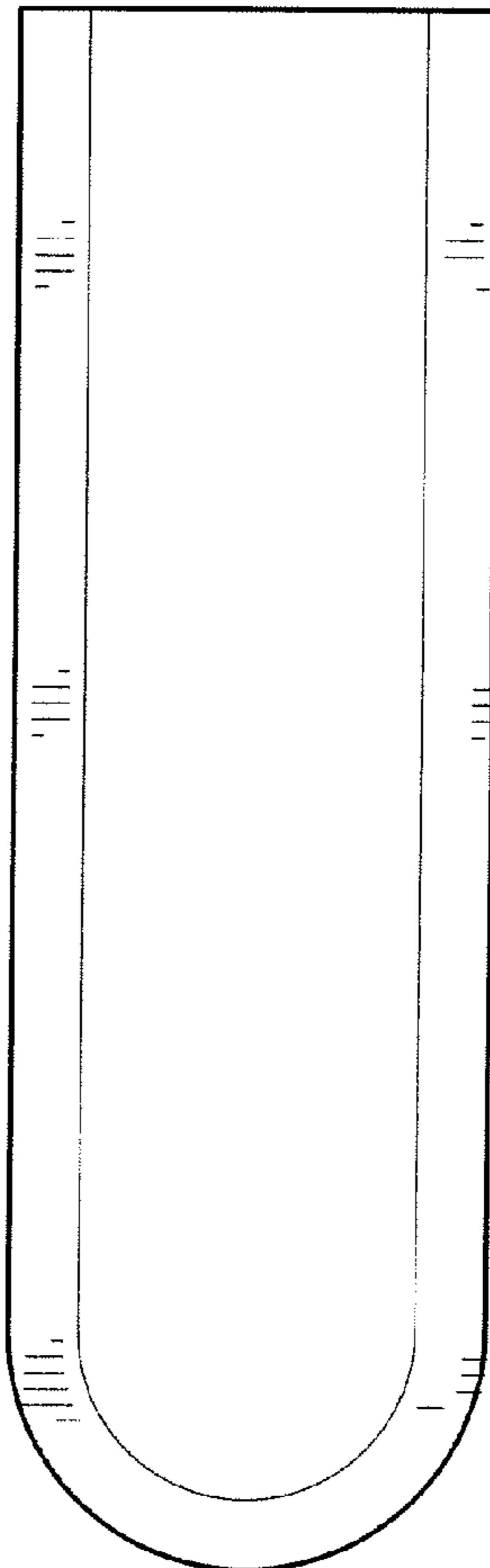


Fig-6

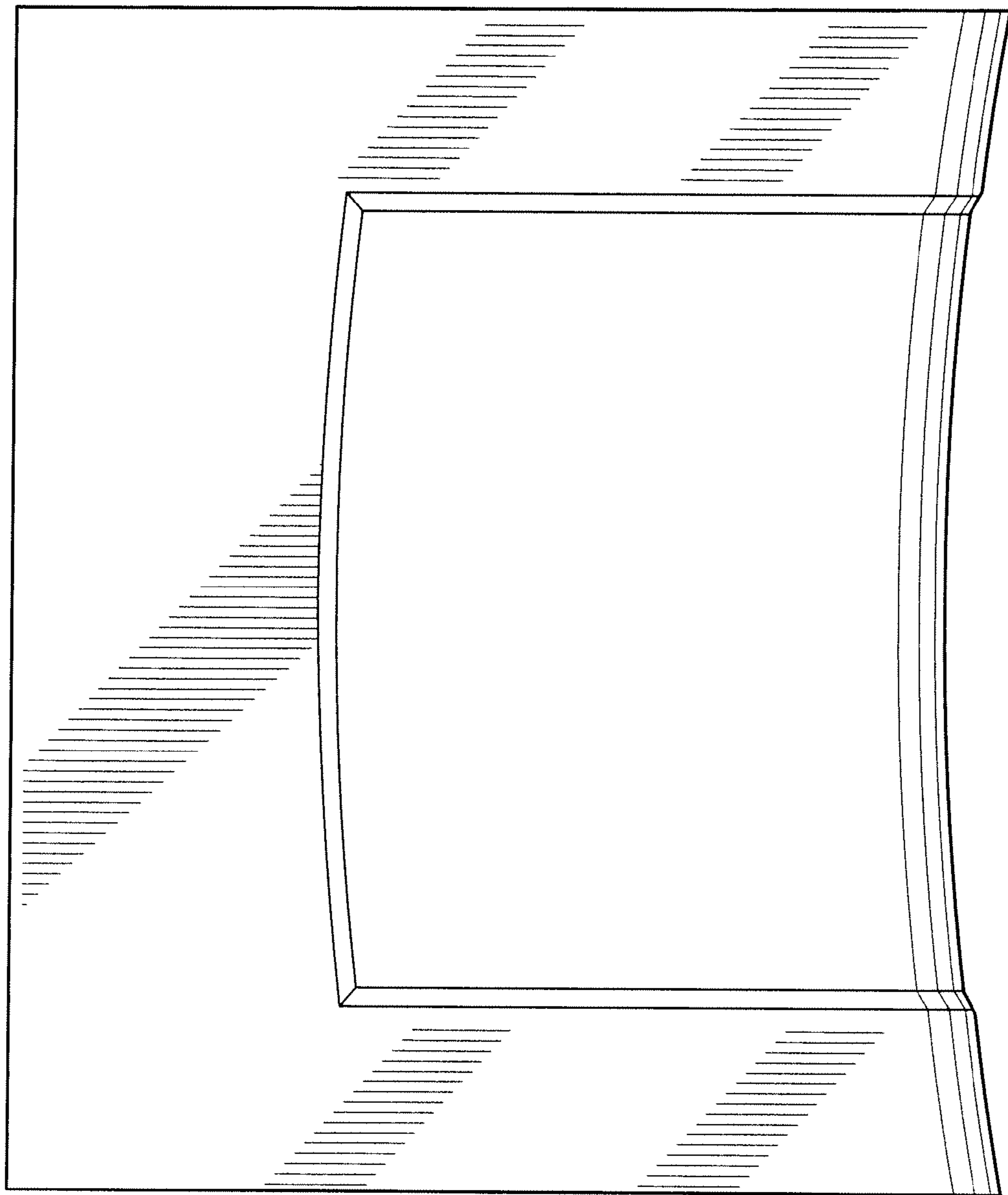


Fig-2

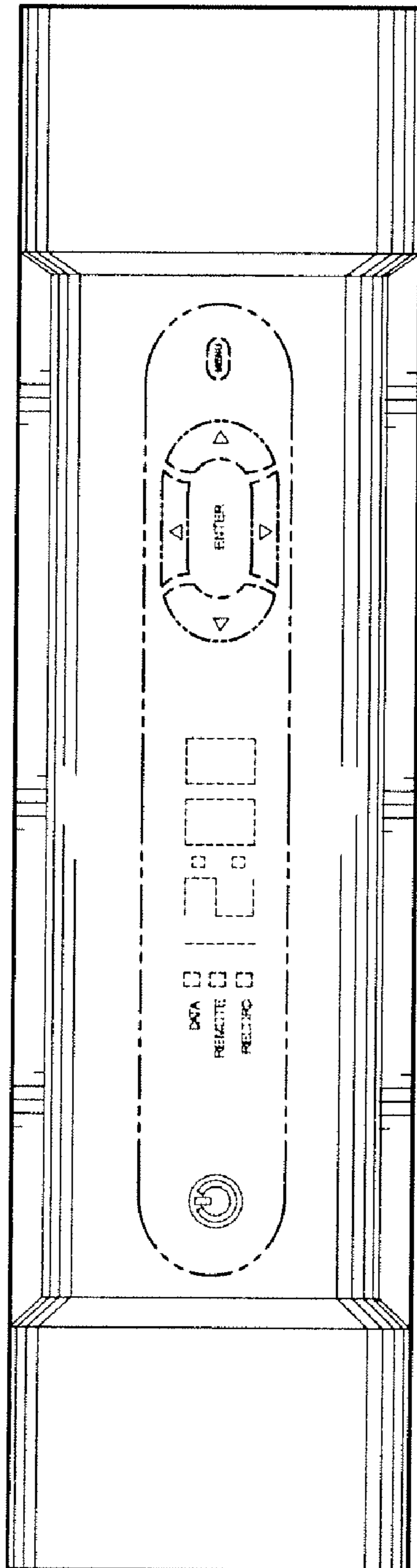


Fig-3

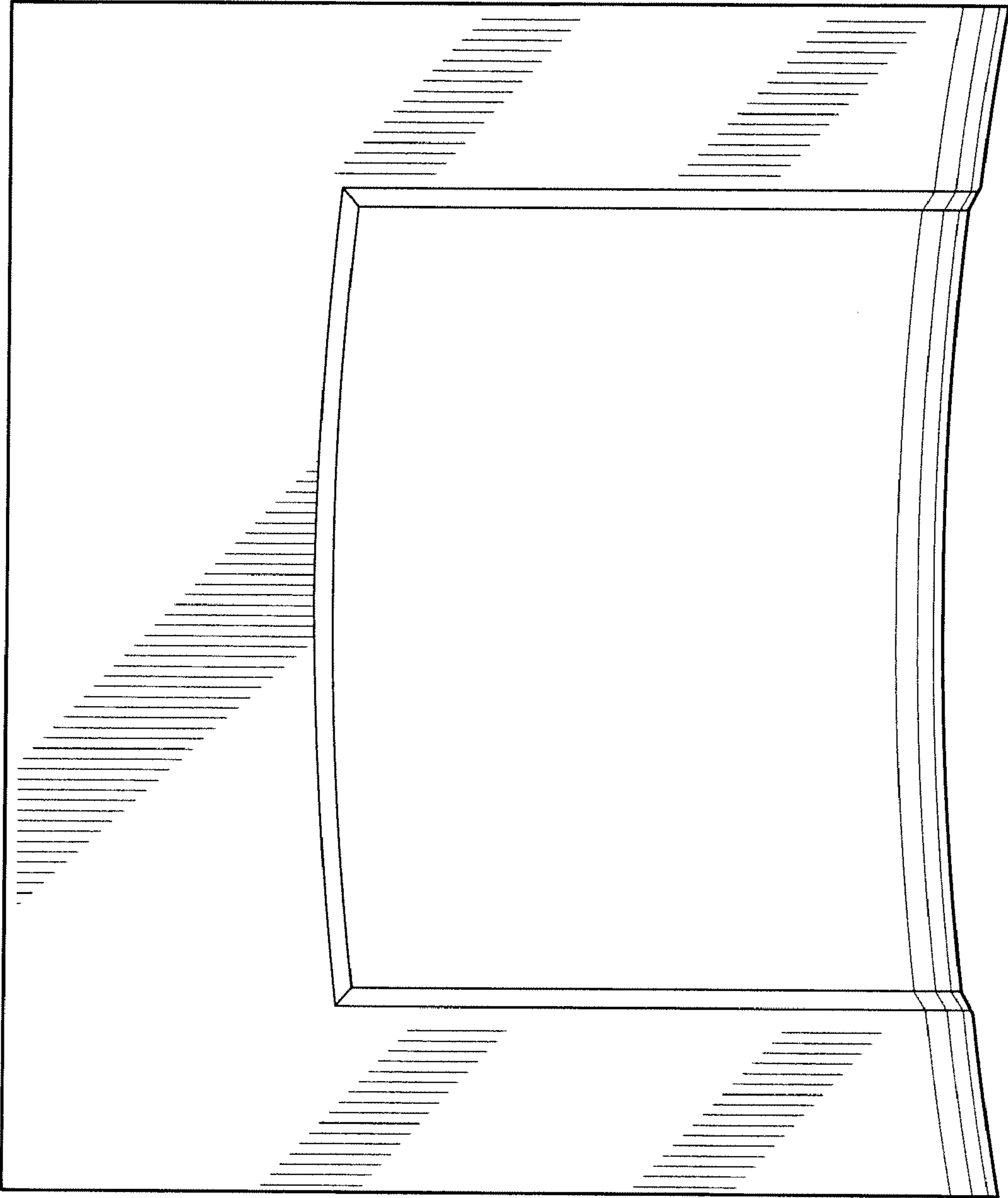


Fig-4